

Integrating the Healthcare Enterprise



5

**IHE Patient Care Device (PCD)
Technical Framework**

10

**Volume 3
IHE PCD TF-3
Semantic Content**

15

20

**Revision 8.0 - Final Text
October 23, 2018**

25

Please verify you have the most recent version of this document, which is published [here](#).

CONTENTS

	1	Introduction	4
30	1.1	Overview of the Patient Care Device Technical Framework	4
	1.2	Overview of Volume 3.....	5
	1.3	Audience	5
	1.4	Relationship to Standards	6
	1.5	Relationship to Real-world Architectures.....	6
35	1.6	Comments	7
	1.7	Copyright Permission.....	7
	2	Conventions	8
	2.1	The Generic IHE Transaction Model.....	8
	2.2	Security considerations	9
40	3	Overview of device semantic content profiling	10
	3.1	General device content considerations.....	10
	3.1.1	Hierarchical containment tree information	10
	3.1.2	Device semantics & controlled terminologies.....	12
	3.1.3	Overview of the ISO/IEEE 11073 nomenclature/terminology.....	13
45	3.1.4	Private terms and scope	13
	3.1.5	New or non-specified terms.....	14
	3.1.6	Episodic vs. periodic data updates.....	14
	3.1.7	Alternative units of measurement mapping.....	16
	3.2	Alert and event semantics	17
50	3.3	Body site semantics.....	19
	3.4	Basic data type specifications	19
	3.5	MDS semantics	22
	3.6	VMD semantics	23
	3.7	Channel semantics	24
55	4	Reserved.....	26
	5	Reserved.....	26
	6	Reserved.....	26
	7	Device specialization content modules	27
	7.1	Device: Infusion Pump	27
60	7.1.1	Containment tree.....	27
	7.1.2	Channel: Source.....	27
	7.1.3	Channel: Delivery.....	28
	7.2	Device: Ventilator.....	29
	7.2.1	Containment tree.....	29
65	7.2.2	Channel: Ventilator.....	30
	7.2.3	Channel: Airway Pressure	30
	7.2.4	Channel: Airway Volume	31
	7.2.5	Channel: Airway Breath Pattern.....	31
	7.3	Device: Physiologic Monitor	32
70	7.3.1	Containment tree.....	32
	7.3.2	Channel: Invasive Blood Pressure.....	33

	7.3.3 Channel: Blood Pressure – Non-Invasive.....	33
	7.3.4 Channel: Blood Pressure – Pulse Rate.....	33
	7.3.5 Channel: Temperature	34
75	7.3.6 Channel: Pulse Ox	34
	7.3.7 Channel: Pulse Rate Ox	34
	7.3.8 Channel: ECG Monitoring.....	35
	7.3.9 Channel: ECG Resp.....	35
	7.3.10 Channel: Heart Rate	35
80	7.3.11 Channel: Arrhythmia	35
	7.3.12 Channel: Ischemia	36
	7.3.13 Channel: ECG Measurements	36
	7.3.14 Channel: Cardiac Output – Continuous.....	36
	7.3.15 Channel: Cardiac Output – Intermittent	36
85	7.3.16 Channel: Hemodynamics Calculator	37
	Appendix A Reserved.....	37

1 Introduction

90 Integrating the Healthcare Enterprise (IHE) is an initiative designed to stimulate the integration
of the information systems that support modern healthcare institutions. Its fundamental objective
is to ensure that, in the care of patients, all required information for medical decisions is both
correct and available to healthcare professionals. The IHE initiative is both a process and a forum
for encouraging integration efforts. It defines a technical framework for the implementation of
95 established messaging standards to achieve specific clinical goals. It includes a rigorous testing
process for the implementation of this framework and it organizes educational sessions and
exhibits at major meetings of medical professionals to demonstrate the benefits of this
framework and encourage its adoption by industry and users.

100 The approach employed in the IHE initiative is not to define new integration standards, but rather
to support the use of existing standards, HL7^{®1}, ISO, IEEE, DICOM^{®2}, IETF, and others, as
appropriate in their respective domains in an integrated manner, defining configuration choices
when necessary. When clarifications or extensions to existing standards are necessary, IHE refers
recommendations to the relevant standards bodies.

105 This initiative has numerous sponsors and supporting organizations in different medical specialty
domains and geographical regions. In North America the primary sponsors are the American
College of Cardiology (ACC), the Healthcare Information and Management Systems Society
(HIMSS) the Radiological Society of North America (RSNA), and the American College of
Clinical Engineering (ACCE). IHE Canada has also been formed. IHE Europe (IHE-EUR) is
supported by a large coalition of organizations including the European Society of Cardiology
110 (ESC), European Association of Radiology (EAR) and European Congress of Radiologists
(ECR), the Coordination Committee of the Radiological and Electromedical Industries (COCIR),
Deutsche Röntgengesellschaft (DRG), the EuroPACS Association, Groupement pour la
Modernisation du Système d'Information Hospitalier (GMSIH), Société Française de Radiologie
(SFR), and Società Italiana di Radiologia Medica (SIRM). In Japan IHE-J is sponsored by the
115 Ministry of Economy, Trade, and Industry (METI); the Ministry of Health, Labor, and Welfare;
and MEDIS-DC; cooperating organizations include the Japan Industries Association of
Radiological Systems (JIRA), the Japan Association of Healthcare Information Systems Industry
(JAHIS), Radiological Society (JRS), Japan Society of Radiological Technology (JSRT), and the
Japan Association of Medical Informatics (JAMI). Other organizations representing healthcare
120 professionals are invited to join in the expansion of the IHE process across disciplinary and
geographic boundaries.

1.1 Overview of the Patient Care Device Technical Framework

125 This document, the IHE Patient Care Device Technical Framework Volume 3 (IHE PCD TF-3),
defines specific implementations of established standards to achieve integration goals for the
Patient Care Device domain, focusing specifically on common semantic content. Such
integration promotes appropriate sharing of medical information to support optimal patient care.

¹ HL7 is the registered trademark of Health Level Seven International.

² DICOM is the registered trademark of the National Electrical Manufacturers Association for its standards
publications relating to digital communications of medical information.

The IHE PCD TF will be expanded annually, after a period of public review, and maintained regularly through the identification and correction of errors.

130 The PCD TF identifies a subset of the functional components of the healthcare enterprise, called IHE actors, and specifies their interactions in terms of a set of coordinated, standards-based transactions, as well as the semantic content conveyed in each transaction. It describes this body of transactions and semantic content modules in progressively greater depth.

135 The present volume (PCD TF-3) focuses on the semantic content that is exchanged between systems in support of the IHE Patient Care Device integration profiles defined in the IHE Patient Care Device Technical Framework Volume 1. Volume 2 of this Technical Framework provides detailed specifications for the transactions (e.g., messages) that are exchanged between the actors identified in Volume 1.

The PCD TF is part of a related set of IHE Technical Frameworks, comprised of the following domain-specific documents:

- 140
- IHE Cardiology Technical Framework
 - IHE IT Infrastructure Technical Framework
 - IHE Laboratory Technical Framework
 - IHE Patient Care Coordination Technical Framework
 - IHE Radiology Technical Framework

145 The IHE Patient Care Device integration profiles rely on, and reference, the transactions defined in those other IHE Technical Framework documents. For the conventions on referencing these other Frameworks, see Section 1.6.4 within PCD TF-1 of the IHE Patient Care Device Technical Framework.

1.2 Overview of Volume 3

150 The remainder of Section 1 further describes the general nature, purpose and function of the Technical Framework. Section 2 presents the conventions used in this volume to define IHE transactions.

155 Section 3 defines the general approach for defining device-related content. Subsequent sections address general content elements, as well as specifications for the content related to specific integration profiles and device specializations (e.g., ventilator). All of these address both terminology and information model specifications. These abstract semantic content specifications may then be bound to IHE profile implementations, including the “payload” in transactions, as well as content modules in documents. In some cases this content may be mandatory for a given exchange, and in others it may be used as the result of a profile option.

160 The appendices following the main body of this volume provide technical details associated with the semantic content specifications.

1.3 Audience

The intended audience of this document is:

- IT departments of healthcare institutions
- 165 • Health informatics professionals that utilize device-sourced semantic content
- Technical staff of vendors planning to participate in the IHE initiative
- Experts involved in standards development
- Those interested in integrating healthcare information systems and workflows

1.4 Relationship to Standards

170 The IHE Technical Framework identifies functional components of a distributed healthcare environment (referred to as IHE actors), solely from the point of view of their interactions in the healthcare enterprise. At its current level of development, it defines a coordinated set of transactions based on ASTM, DICOM, HL7, IEEE, IETF, ISO, OASIS and W3C standards. As the scope of the IHE initiative expands, transactions based on other standards may be included as
175 required.

In some cases, IHE recommends selection of specific options supported by these standards; however, IHE does not introduce technical choices that contradict conformance to these standards. If errors in or extensions to existing standards are identified, IHE's policy is to report them to the appropriate standards bodies for resolution within their conformance and standards
180 evolution strategy.

IHE is therefore an implementation framework, not a standard. Conformance claims for products must still be made in direct reference to specific standards. In addition, vendors who have implemented IHE integration capabilities in their products may publish IHE Integration Statements to communicate their products' capabilities. Vendors publishing IHE Integration
185 Statements accept full responsibility for their content. By comparing the IHE Integration Statements from different products, a user familiar with the IHE concepts of actors and integration profiles can determine the level of integration between them. See IHE PCD TF-2, Appendix H for the format of IHE PCD Integration Statements. IHE encourages implementers to ensure that products implemented in accordance with the IHE Technical Framework also meet
190 the full requirements of the standards underlying IHE, allowing the products to interact, although possibly at a lower level of integration, with products that have been implemented in conformance with those standards, but not in full accordance with the IHE Technical Framework.

1.5 Relationship to Real-world Architectures

195 The IHE actors, transactions and content modules described in the IHE Technical Framework are abstractions of the real-world healthcare information system environment. While some of the transactions are traditionally performed by specific product categories (e.g., HIS, Clinical Data Repository, Radiology Information Systems, Clinical Information Systems or Cardiology Information Systems), the IHE Technical Framework intentionally avoids associating functions
200 or actors with such product categories. For each actor, the IHE Technical Framework defines only those functions associated with integrating information systems. The IHE definition of an actor should therefore not be taken as the complete definition of any product that might

implement it, nor should the framework itself be taken to comprehensively describe the architecture of a healthcare information system.

- 205 The reason for defining actors, transactions and content modules is to provide a basis for defining the interactions among functional components of the healthcare information system environment. In situations where a single physical product implements multiple functions, only the interfaces between the product and external functions in the environment are considered to be significant by the IHE initiative. Therefore, the IHE initiative takes no position as to the relative merits of an integrated environment based on a single, all-encompassing information system versus one based on multiple systems that together achieve the same end. To illustrate most dramatically the possibilities of the IHE Technical Framework, however, the IHE demonstrations emphasize the integration of multiple vendors' systems based on the IHE Technical Framework.
- 210

1.6 Comments

- 215 IHE International welcomes comments on this document and the IHE initiative. They can be submitted using the Web-based comment form at http://ihe.net/PCD_Public_Comments or by sending an email to the co-chairs and secretary of the Patient Care Device domain committees at pcd@ihe.net.

1.7 Copyright Permission

- 220 Health Level Seven has granted permission to the IHE to reproduce tables from the HL7 standard. The HL7 tables in this document are copyrighted by Health Level Seven. All rights reserved.

Use of copyrighted IEEE material in this technical framework from the ISO/IEEE 11073 standards is covered by the IEEE-SA Royalty-free permission guidelines.

- 225 Material drawn from these documents is credited where used.

2 Conventions

This document has adopted the following conventions for representing the framework concepts and specifying how the standards upon which the IHE PCD Technical Framework is based should be applied.

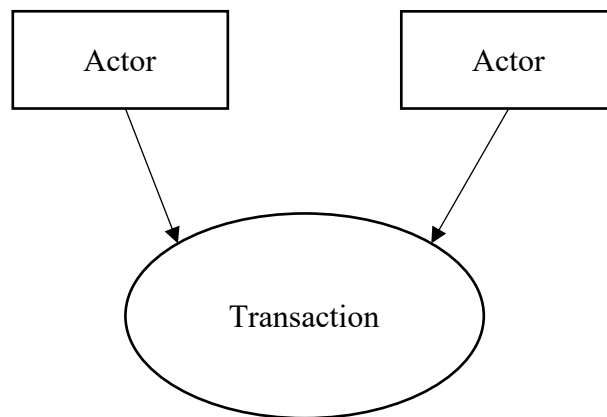
230 2.1 The Generic IHE Transaction Model

Transaction descriptions are provided in TF-2. In each transaction description, the actors, the roles they play, and the transactions between them are presented as use cases. These transaction descriptions do not typically identify specific semantic content that may be exchanged as a result of their use, beyond general constraints (e.g., an alarm message would identify where alarm-
235 related content should be inserted into the message, but not specific alarm values).

The generic IHE transaction description includes the following components:

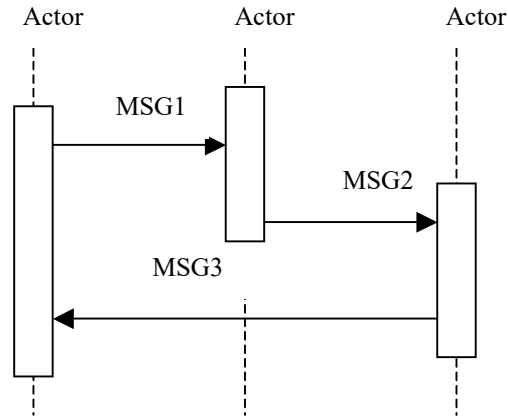
- Scope: a brief description of the transaction.
- Use case roles: textual definitions of the actors and their roles, with a simple diagram relating them, e.g.:

240



245

- Referenced Standards: the standards (stating the specific parts, chapters or sections thereof) to be used for the transaction.
- Interaction Diagram: a graphical depiction of the actors and messages that support the transaction, with related processing within an actor shown as a rectangle and time progressing downward, similar to:



250 The interaction diagrams used in the IHE-PCD Technical Framework are modeled after
those described in Grady Booch, James Rumbaugh, and Ivar Jacobson, *The Unified
Modeling Language User Guide*, ISBN 0-201-57168-4. Simple acknowledgment
255 messages are often omitted from the diagrams for brevity. One or more messages may be
required to satisfy a transaction. Each message is represented as an arrow starting from
the actor initiating the message.

- Message definitions: descriptions of each message involved in the transaction, the events that trigger the message, its semantics, and the actions that the message triggers in the receiver.

260 Semantic content modules may be “bound” to profiles and transactions in order to facilitate
semantic interoperability between systems. For example, by constraining the base terminologies
and information models that are used, as well as the value sets that may be employed, profile
implementation and processing of the resulting content is greatly simplified.

2.2 Security considerations

265 During the profile development there were no unique security/privacy concerns identified. There
are no mandatory security controls but the implementer is encouraged to use the underlying
security and privacy profiles from ITI that are appropriate to the transports such as the Audit
Trail and Node Authentication (ATNA) Profile. The operational environment risk assessment,
following ISO 80001, will determine the actual security and safety controls employed.

3 Overview of device semantic content profiling

270 Though the transactions and messages defined in TF-2 provide for syntactic interoperability, in
order to achieve semantic interoperability, each class of device must use the same terminology
and data organization or modeling for common information. This TF-3 defines common abstract
semantics or content profiles for patient care devices that fall within this domain. The semantics
are based on the ISO/IEEE 11073-10101 nomenclature/terminology and the ISO/IEEE 11073-
275 10201 domain information model, with additional semantics systems specified as appropriate
(e.g., LOINC or SNOMED-CT), either as mappings to ISO/IEEE concepts or independently for
non-mappable concepts. Other sections of the PCD Technical Framework define the mapping of
these semantics to the information technologies defined for each transaction (for example, the
TF-2 (Appendix A) *Mapping ISO/IEEE 11073 Domain Information Model to HL7*).

280 ***Note that this content specification is not intended to be exhaustive – the referenced standards
should be consulted for more complete information.***

In general, if a concept is not specified in this volume nor in the base standards (e.g., IEEE
11073-10101), a request should be made to the appropriate standards development organization
("SDOs") to consider the additional concepts. Typically, this may be accomplished without
285 significant delays, and if necessary, temporary term codes provided. See discussions below for
additional information.

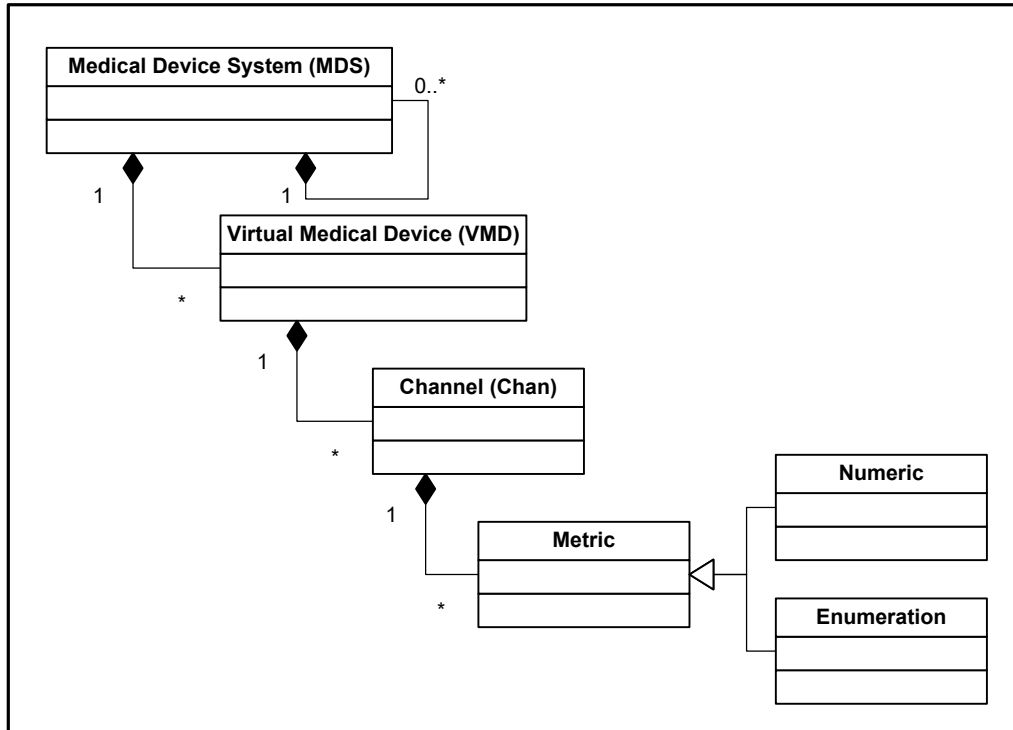
3.1 General device content considerations

This section addresses those issues that are transitive across all device types. Subsequent sections
integrate these considerations as applicable to specific device specializations.

290 3.1.1 Hierarchical containment tree information

Each data item associated with a device specialization is specified within the context of its
"containment tree" – all parameters are formalized either as attributes of a given object, or as
instances of data objects that are contained within other objects in accordance to the following
basic hierarchy³:

³ See ISO/IEEE 11073-10201 Domain Information Model for complete details on these and other objects.



295

Figure 3.1.1-1: Basic ISO/IEEE 11073 Containment Tree

There are many additional objects defined in the ISO/IEEE 11073 information model (e.g., waveform and alarm / alert monitoring objects); however, for the purposes of this technical framework, only the above objects are utilized. Each object provides the following:

300

Medical Device System

Top level object that establishes the overall context for all device data. In addition to a basic device name (e.g., Ventilator), this object includes attributes for a unique identifier (e.g., EUI-64), manufacturer and model, subcomponent serial numbers, device date and time, A/C power status, battery charge level, locale, etc. Note that an MDS may contain additional MDS objects. This would be the case when, for example, a physiological monitor integrates additional devices such as external infusion pumps and ventilators.⁴

305

Virtual Medical Device

Supports a particular device specialization that may contain multiple channels and reflects a basic device building

310

⁴ Not shown here are the 4 MDS specializations: Simple MDS (contains a single VMD instance), Hydra MDS (contains multiple VMD instances); Composite Single Bed MDS (contains embedded MDSs for a single patient); and Composite Multi Bed MDS (multiple MDSs for multiple patients), identified in the ISO/IEEE 11073-10201 standard. None of these specialization objects add any attribution – they only reflect the relationships between the MDS and other objects (namely, other MDSs, VMDs, and Patient Demographics).

315		block. For example, an airway VMD may contain channels for pressure, flow, volume, and breath metrics. For devices with plug-in modules, each component is typically formalized by a VMD instance.
320	Channel	Provides for the aggregation of closely related data objects. For example, an infusion pump VMD may contain multiple fluid source channels, each with its own parameters for delivery rate, volume to be infused (“VTBI”), volume infused, drug label, etc.
325	Metric	This abstract class (it is only inherited by the specialization objects and may not be instantiated alone) provides a basic set of attributes for all the specialization objects. For example, status (e.g., available, disabled, etc.), body site list, measurement start/stop time, label, etc.
330	Numeric	Supports values that are represented as a numeric quantity (e.g., a set breath rate). Attributes include value, units, time stamp, ranges, resolution, etc. Compound values are supported where multiple values are realized in a single numeric (e.g., diastolic and systolic blood pressure is typically represented as a compound numeric value).
335	Enumeration	Supports parameters that are typically represented by a set of specified values. For example, a device’s operational mode may be represented by one of a finite set (e.g., for a ventilator the mode may be CPAP, SIMV, assist, etc.).

340 Though the sequential ordering of objects and attributes are typically not important (e.g., information from multiple VMDs in an MDS may be communicated in any order), the containment associations must be maintained. For example, multiple channels may have the same “infusion rate” parameter – if they are not properly associated to the right channel, then the information will not be correctly interpreted. Additionally, containment is strictly enforced (e.g., an Enumeration instance may not be contained directly under a VMD or MDS without a Channel).

345 For each of the device specializations specified below, the containment tree associated with each device and parameter is specified sufficiently to ensure proper communication when the information is exchanged in a transaction (MDS → VMD → Channel → Parameter); however, for some devices, though the containment relationships are fully specified, they may not be necessary (save the top level MDS that identifies the device source) – there is a single instance of the parameter for the entire device. In these cases, the actual information communicated by a given transaction may be limited to the individual parameters grouped together within a single medical device system containment.

3.1.2 Device semantics & controlled terminologies

Specific device semantics are formalized as a combination of terminology / vocabulary codes organized according to a common information model. The containment tree discussion above

355 presented the basic ISO/IEEE 11073 information model used to organize and associate various
 device parameters. Terminologies are required, though, to represent each concept that is
 communicated. For example, an infusion rate may be communicated as “100 mL/Hr”. At least
 two terms are required, one for the parameter name (“infusion rate”) and one for the units of
 measurement (“mL/Hr”). In the device specialization sections below, all of the required
 360 semantics are specified, so as to ensure that the same term set is used for a given class of device.

3.1.3 Overview of the ISO/IEEE 11073 nomenclature/terminology

The ISO/IEEE 11073-10101 (and related) nomenclature is optimized for medical device (esp.
 acute care) semantics, containing an extensive set of term codes supporting the information
 model, device parameters, units of measurement, body sites, alert events, etc. Each term in this
 365 system is formalized as a text-based Reference Identifier and a 16-bit or 32-bit numeric code.
 The 16-bit code is “context sensitive” in that it may be used when you know the class of
 information that it represents. For example, if in a message a field is being processed that
 represents Units of Measurement, then the 16-bit numeric code may be used, given that the
 semantic context has been established. The 32-bit code is “context free” in that it is guaranteed to
 370 be unique across the entire terminology.

All text-based Reference ID’s are formalized as a contiguous string of either capitalized letters or
 underscores (“_”). For example, MDC_RESP_RATE or MDC_PULS_RATE. Note that the
 prefix “MDC” stands for medical device communication, and is often used to identify this
 nomenclature (e.g., “MDC” is used in HL7 to identify terms from this standard).

375 By convention, this Technical Framework will specify 11073 terms using the following format:

<Ref ID> (<partition⁵ or code block>::<16-bit term code>)

For example, the two terms above would be specified as follows:

MDC_RESP_RATE (2::20490)

MDC_PULS_RATE (2::18442)

380 To determine the 32-bit value: <partition> * 2¹⁶ + <16-bit term code>. So the pulse rate code
 above would have a 32-bit representation of 18444 (or hex 0x0002480A). The mapping rules for
 a given transaction technology shall indicate whether the textual Reference ID, 32-bit, or 16-bit
 codes may be used and how to properly encoded the terms (e.g., whether the numeric codes are
 formatted as text or binary values).

385 If additional or alternative terms are needed from other systems, such as LOINC or SNOMED-
 CT, they will be specified as well.

3.1.4 Private terms and scope

Some devices communicate concepts that are either not standardized (in any terminology
 system) or are private and should only be recognized by applications that are aware of this
 390 device’s specific semantics. In this case, the 11073 terminology provides for “private” sections

⁵ Note: Partition numbers are defined in ISO/IEEE 11073-10101, Section B.1.2, or in ISO/IEEE 11073-10201, type *NomPartition* definition.

of the terminology where manufacturers may define these semantics without worry of overlapping other terms already assigned. The 16-bit range from 0xF000 to 0xFFFF (hex) for each code block is reserved for private terms. If an entire private block of terms (65536 items) is required, the partition 1024 may be used.

395 In complex environments, though, where multiple devices are connected to a single patient and where two or more vendors may define terms with the same private codes (i.e., even the 32-bit identifier may not be unique), it is necessary to ensure proper scoping of these terms to ensure there are no collisions. To accomplish this, the scope associated with any private codes is defined by the containing VMD. This allows for modular systems where different plug-in components
400 may be from different manufacturers.

3.1.5 New or non-specified terms

Additional terminology not contained in the device specializations below may:

- Exist in a terminology and simply hasn't been included in this version of the Framework,
or
- 405 • Be a new concept that should be standardized (e.g., resulting from a new device modality),
or
- Is a private or custom term that is particular to a single manufacturer's device and should not necessarily be standardized.

410 In the first case, change requests may be submitted to this Technical Framework to have the needed semantics added. In general, if the semantics exist (either as terms and/or attributes in the Domain Information Model, they may be used in transactions without being added to this content specification; however, in order to achieve semantic interoperability and heterogeneity with a class of device, there must be agreement regarding the way a given concept is represented.

415 In the second case, new terms may be submitted to the relevant standard group for consideration. For these, either a pre-assigned term may be used or a private term until standardization is complete.⁶

In the third case, a private code should be used and is out-of-scope for inclusion in this content specification.

420 3.1.6 Episodic vs. periodic data updates

Device information is typically reported in a manner appropriate for the given parameter and consuming application. Data reporting modes include:

- Periodically – for parameters that change or are updated regularly. For example, the volume delivered on an infusion pump changes regularly based on the fluid delivery rate.

⁶ Note: The ISO/IEEE 11073 group has indicated that it will make a best effort to address all new term requests as quickly as possible and where appropriate to provide rapid assignment of Reference IDs and term codes.

- 425 • Periodically High-Frequency – for data that is reported periodically but at high data rates. For example, physiological waveforms.
- Episodically – for parameters that change infrequently or based on an external event. For example, an operational setting is modified by the clinician or a breath or heart beat has been detected.
- 430 • Snap-shot – for those applications that only request the current value of a device’s information at infrequent intervals. For example, once every 10 minutes or an hour.

Where appropriate, the device parameter specifications below shall indicate whether a particular item is updated periodically or episodically. In the ISO/IEEE 11073 information model, the Metric::MetricRelevance and Metric::MetricAccess provide this information.

- 435 In the ISO/IEEE 11073 information model, provision for creating data updates or “event reports” for these various methods fall to a number of “extended services” objects such as an episodic scanner, periodic scanner, or fast periodic scanner. Each instance of these objects “scans” a configured list of data items and when changes are detected, generates an update including those parameters. For example, a “breath” episodic scanner instance would report all breath-to-breath
- 440 related parameters (e.g., I:E ratio, inspiratory time, peak inspiratory pressure, etc.) whenever a breath completion has been detected.

Depending on the transaction profile conveying the device data, identification of these update classes may be supported. If so, the following terms should be used to differentiate the update type being reported:

445

Table 3.1.6-1: Update Report Type Identification

Update Report Type Identification	
Update Type	Term Code
Episodic Update	MDC NOTI_UNBUF_SCAN_RPT (1:: 3350)
Periodic Update	MDC NOTI_BUF_SCAN_RPT (1:: 3331)

3.1.7 Alternative units of measurement mapping

450

Though the basic units of measurement specified in this technical framework are from the ISO/IEEE 11073-10101 Units of Measurement partition, mappings to alternative terminology systems may be required for some implementations of this technical framework. For each parameter in the device specializations that includes a unit of measurement specification, the ISO/IEEE term is called out. The following table provides a summary of all the units of measurement terms utilized by this framework and provides for their mapping to alternative systems

Table 3.1.7-1: ISO/IEEE 11073 Alternative Units Mapping

ISO/IEEE 11073 Alternative Units Mapping				
ISO/IEEE 11073	UCUM	LOINC	SNOMED-CT	Discussion
MDC_DIM_CM_H2O (4::3904)				cmH ₂ O
MDC_DIM_MICRO_G_PER_HR (3379)				μG/hr
MDC_DIM_MICRO_G_PER_MIN (3347)				μG/min
MDC_DIM_MILLI_G_PER_HR (3378)				mG/hr
MDC_DIM_MILLI_G_PER_MIN (3346)				mG/min
MDC_DIM_MILLI_L (4::1618)				mL
MDC_DIM_MIN (4:2208)				minutes
MDC_DIM_PERCENT (4::544)				%
MDC_DIM_RESP_PER_MIN (4::2784)				rpm
MDC_DIM_SEC (4:2176)				seconds
MDC_DIM_X_INTL_UNIT_PER_HR (5696)				i.u./hr
MDC_DIM_X_L_PER_MIN (4::3072)				L/min

455 3.2 Alert and event semantics

Most medical devices provide indications of event or alert conditions. These are typically technical (e.g., a sensor needs to be calibrated or has been detached from the device), or physiological (e.g., a patient’s spontaneous breath rate is too high). There is also a prioritization associated with alert conditions (low, medium and high), and each device specifies the
 460 prioritization within a given class (e.g., if a device has 10 high priority alerts, and three are active, which is the highest priority of the three?).

Additionally, an alert condition may be associated with the entire device (e.g., low battery), a particular channel (e.g., occlusion on infusion channel #2), or a specific parameter (e.g., heart rate too high). When communicated, the alert conditions should be associated with the
 465 appropriate device scope or entity within the device’s information containment tree or hierarchy. When associated with a given parameter (e.g., a monitored temperature or pressure reading), generic event codes are preferred over more specific terms. For example, “low” or “high” or “irregular” as associated with a monitored heart rate parameter vs. “high beat rate” and “low beat rate”, etc. In most cases, though, specific codes must be used, such as “gas contaminated” or
 470 “asystole”.

Though some of these semantics are particular to a specific device, most are general and may be applied to multiple devices. The following table provides examples of common alert semantics that may be used in this TF⁷:

Table 3.2-1: Device Alert Event Semantics

Device Alert Event Semantics	
Description	Term Code
General Events	
Alarm	MDC_EVT_ALARM (3::8)
Disconnected	MDC_EVT_DISCONN (3:22)
Empty	MDC_EVT_EMPTY (3::26)
Error	MDC_EVT_ERR (3::30)
Failure	MDC_EVT_FAIL (3::38)
High	MDC_EVT_HI (3::40)
High – Greater than set limit	MDC_EVT_HI_GT_LIM (3::42)
INOP (device is inoperable)	MDC_EVT_INOP (3::52)
Low	MDC_EVT_LO (3::62)
Low – Less than set limit	MDC_EVT_LO_LT_LIM (3::64)
Occlusion	MDC_EVT_OCCL (3::80)
Range Error	MDC_EVT_RANGE_ERR (3::164)
Door / Handle Position Problem	MDC_EVT_DOOR_OR_HANDLE_POSN_PROB (3::234)
Fluid Line Problem	MDC_EVT_FLUID_LINE_PROB (3::252)

⁷ For a more complete listing of device alert semantics, see ISO/IEEE 11073-10101 Section A.9 *Nomenclature, data dictionary, and codes for alerts (Block E)*, or Annex B.4 in the same standard.

Device Alert Event Semantics	
Description	Term Code
General Events	
Gas is contaminated	MDC_EVT_GAS_CONTAM (3::256)
Lead is off / disconnected	MDC_EVT_LEAD_OFF (3::272)
Sensor problem	MDC_EVT_SENSOR_PROB (3::312)
Low signal level	MDC_EVT_SIG_LO (3::380)
Timeout	MDC_EVT_TIMEOUT (3::584)
<i>Physiological/Medical Events</i>	
Apnea	MDC_EVT_APNEA (3::3072)
Asystole	MDC_EVT_ECG_ASYSTOLE (3::3076)
Sustained Bradycardia	MDC_EVT_ECG_BRADY_SUST (3::3088)
Tachycardia	MDC_EVT_ECG_TACHY (3::3120)
Arrhythmia	MDC_EVT_ECG_ARRHY (3::3266)
<i>Technical Events</i>	
Battery failed	MDC_EVT_BATT_FAIL (3::192)
Low Battery	MDC_EVT_BATT_LO (3::194)
Battery Malfunction	MDC_EVT_BATT_MALF (3::196)
Pressure cuff leak	MDC_EVT_CUFF_LEAK (3::228)
Pressure cuff position error	MDC_EVT_CUFF_POSN_ERR (3::430)
Pump in Free Flow	MDC_EVT_PUMP_FLOW_FREE (3::598)
<i>General Status Events</i>	
Alarming Turned Off	MDC_EVT_STAT_AL_OFF (3::6144)
Alarming Turned On	MDC_EVT_STAT_AL_ON (3::6146)
Battery Charging	MDC_EVT_STAT_BATT_CHARGING (3::6150)
Standby Mode	MDC_EVT_STAT_STANDBY_MODE (3::6166)
Alarm Silence	MDC_EVT_STAT_AL_SILENCE (3::6214)
Door Open	MDC_EVT_STAT_DOOR_OPEN (3::6220)
Door Closed	MDC_EVT_STAT_DOOR_CLOS (3::6244)
<i>Advisory Events</i>	
Check Device	MDC_EVT_ADVIS_CHK (3::6658)
Check Settings	MDC_EVT_ADVIS_SETTINGS_CHK (3::6668)
Replace Battery	MDC_EVT_ADVIS_BATT_REPLACE (3::6678)
Replace Syringe Warning	MDC_EVT_ADVIS_PUMP_SYRINGE_REPLACE_WARN (3::6712)
Check Ventilator Air Supply	MDC_EVT_ADVIS_VENT_AIR_SUPP_CHK (3::6728)

475

Note: Private event codes may be used to define non-standardized events that are not contained in the table above or in the base ISO/IEEE 11073-10101 standard. Any use of private event codes should be clearly described in the device's documentation.

3.3 Body site semantics

480 One or more body sites may be associated with a given device parameter. For example, a
 temperature may have the same term codes, but are differentiated by the location of the where
 the temperature is taken. Other parameters (especially EEG and BIS measurements) are derived
 from signals from multiple sites. The ISO/IEEE 11073 Metric object includes an attribute listing
 485 body sites, either from the base 11073-10101 terminology or from other vocabularies. The
 following table provides some examples of body sites that may be associated with a device
 parameter:

Table 3.3-1: Body Site Terms

Body Site Terms	
Description ⁸	Term Code
Left ear (theta 120, phi 180)	MDC_HEAD_EAR_L (7::1289)
Right ear (theta 120, phi 0)	MDC_HEAD_EAR_R (7::1290)
Electrode 1 cm above the right eye on the eyebrow, in the middle between the center point of the eye and the lateral canthus.	MDC_EYE_CANTH_LAT_ABOVE_R (7::1362)
Subarachnoid, Left [T-X1502-LFT] (for neurological measurements and drainage)	MDC_BRAIN_SUBARACHNOIDAL (7::1412)
Left Atrium [T-32300]	MDC_HEART_ATR_L (7::1429)
Right Ventricle [T-32500]	MDC_HEART_VENT_R (7::1442)
Umbilical Artery [T-88810]	MDC_ART_UMBILICAL (7::1480)
Lower extremity, Great toe [T-Y9810]	MDC_LOEXT_TOE_GREAT (7::1620)
Upper extremity, Ring finger, NOS [T-Y8840]	MDC_UPEXT_FINGER_RING (7::1764)
Vena umbilicalis [T-49062] (child) (e.g., for fluid therapy)	MDC_VEIN_UMBILICAL_CHILD (7::1808)

3.4 Basic data type specifications

490 All communicated information must conform to common abstract data type specifications. The
 ISO/IEEE 11073-10201 standard defines data types for each object attribute using ASN.1
 specification. The following listing identifies the data types used in this Technical Framework.
 When appropriate, the definition includes the analogous C/C++ constructs:

495 **AbsoluteTime** Date / Time specification as follows (BCD digits):

```

  struct AbsoluteTime {
    UInt8 century;
    UInt8 year;
    UInt8 month;
    UInt8 day;
  500   UInt8 hour;
    UInt8 minute;
    UInt8 second;
  
```

⁸ Bracketed identifiers in Descriptions indicate the analogous SNOMED code.

		<pre> UInt8 sec-fractions; } </pre>												
505	BatMeasure	<p>Battery-related measurement:</p> <pre> struct BatMeasure { FLOAT-Type value; OID-Type units; } </pre>												
510	FLOAT-Type	<p>Basic numerical representation floating point representation, made up of a 24-bit signed magnitude and an 8-bit signed exponent, where:</p> $\text{value} = (\text{magnitude}) * (10^{\text{exponent}})$ <p>Special values are provided as follows:</p> <table border="0"> <tr> <td>515</td> <td>Not a Number (NaN)</td> <td>$+(2^{23-1})$</td> </tr> <tr> <td></td> <td>Not at this Resolution (NRes)</td> <td>$-(2^{23})$</td> </tr> <tr> <td></td> <td>+INFINITY</td> <td>$+(2^{23-2})$</td> </tr> <tr> <td></td> <td>-INFINITY</td> <td>$-(2^{23-2})$</td> </tr> </table>	515	Not a Number (NaN)	$+(2^{23-1})$		Not at this Resolution (NRes)	$-(2^{23})$		+INFINITY	$+(2^{23-2})$		-INFINITY	$-(2^{23-2})$
515	Not a Number (NaN)	$+(2^{23-1})$												
	Not at this Resolution (NRes)	$-(2^{23})$												
	+INFINITY	$+(2^{23-2})$												
	-INFINITY	$-(2^{23-2})$												
	Int16	16-bit signed integer (<i>short int</i>)												
520	Locale	<p>Specification of localization information for the device, including language and max string lengths⁹:</p> <pre> struct Locale { UInt32 language; // From ISO 639-1 / 629-2 UInt32 country; // From ISO 3166-1, -2, -3 UInt16 char-set; // IANA MIBenum values StringSpec str-spec; // Max length + null term. } </pre>												
	OID-Type	16-bit term code (context-sensitive portion)												
530	ProdSpecEntry	<p>A specification of a production serial number or other configuration identifier:</p> <pre> struct ProdSpecEntry { TEXT¹⁰ spec_type; UInt16 component_id; // Mfgr's ID TEXT prod-spec; } </pre>												
535														
	TEXT	A printable text string (<i>char []</i>); either counted or null terminated.												
	TYPE	<p>32-bit context-free term code:</p> <pre> struct TYPE { UInt16 Partition; UInt16 Code; } </pre>												
540														
	UInt8	8-bit unsigned integer (<i>unsigned char</i>)												

⁹ For more complete details on the Locale data type, see the specification in ISO/IEEE 11073-10201.

¹⁰ In the 11073-10201 standard, this is defined as an enumeration of UInt16 values, but for this framework it is specified as an identifying text string.

UInt16	16-bit unsigned integer (<i>unsigned short int</i>)
UInt32	32-bit unsigned integer (<i>unsigned long int</i>)

545 **3.5 MDS semantics**

Parameters for each device specialization are contained within an MDS containment hierarchy. The following table describes some of those attributes defined by an MDS which may be applicable for any of the devices specified below:

Table 3.5-1: Medical Device System (MDS) Attributes

Medical Device System (MDS) Attributes				
Attribute	Description	Term Code	Data Type ¹¹	Values
System-Type	General category of the device (e.g., infusion pump)	MDC_ATTR_SYS_TYPE (1::2438)	TYPE	For example, MDC_DEV_PUMP_INFUS_MDS (1::4449)
Mds-Status	Device's connection state (based on FSM)	MDC_ATTR_VMS_MDS_STAT (1::2471)	TEXT ¹²	“disconnected”, “associated”, “configuring”, “configured”, “operating”, “re-configuring”, “disassociating”, “terminating”
System-Model	Manufacturer & Model label strings	MDC_ATTR_ID_MODEL (1::2344)	SystemModel	manufacturer=“Philips” model=“IntelliVue MP70”
System-Id	Device unique identifier – typically EUI-64; top 24 bits = unique company ID; lower 40 bits = serialization code; related to MAC addresses.	MDC_ATTR_SYS_ID (1::2436)	TEXT	For example, “00-00-00-00-00-00-00-00”, where each “00” represents a hexadecimal representation of a byte.
Soft-Id	Locally (non-manufacturer) ID (e.g., hospital inventory number)	MDC_ATTR_ID_SOFT (1::2350)	TEXT	“TMC Vent 42”
Production-Specification	List of serial numbers and other items such as GMDN code	MDC_ATTR_ID_PROD_SPECN (1::2349)	List of ProdSpecEntry	serial-number=“XYZ12345” sw-revision=“03.02.01”

¹¹ Data types are further defined in Section 3.4 *Basic data type specifications*.

¹² For the purposes of this technical framework, this data type which is MDSStatus, an enumerated set of UInt16 values, is defined as a set of string values.

Medical Device System (MDS) Attributes				
Attribute	Description	Term Code	Data Type ¹¹	Values
Bed-Label	String identifying the bed to which the device has been assigned	MDC_ATTR_ID_BED_LABEL (1::2334)	TEXT	For example, "PICU 13"
Date-and-Time	Device's current date / time setting	MDC_ATTR_TIME_ABS (1::2439)	AbsoluteTime	20, 06, 08, 14, 23, 43, 12, 34
Power-Status ¹³	A/C or D/C	MDC_ATTR_POWER_STAT (1::2389)	TEXT ¹⁴	"onMains", "onBattery", "chargingFull", "chargingTrickle", "chargingOff"
Battery-Level	<i>Percentage</i> of battery capacity remaining	MDC_ATTR_VAL_BATT_CHARGE (1::2460)	UInt16	50 %
Remaining-Battery-Time	Estimated battery run-time remaining (typically in minutes)	MDC_ATTR_VAL_BATT_REMAIN (1::2440)	BatMeasure	120.5 MDC_DIM_MIN (4:2208)
Altitude	In meters above / below sea level	MDC_ATTR_ALTITUDE (1::2316)	Int16	120
Locale	Structure defining the device's country, language and character setting	MDC_ATTR_LOCALE (1::2600)	Locale	language = 0x656E0000 ("en"), country = 0x55530000 ("US"), charset = charset-iso-10646-ucs-2(1000), str-spec { str-max-len = 0x0040, str-flags = str-flag-nt(0) [0x8000] }

550 3.6 VMD semantics

Each MDS contains one or more Virtual Medical Devices (VMD). As stated above, a VMD may be used to represent either a major functional unit within a device (e.g., a ventilator may have one VMD to contain settings and general operational parameters and another as an Airway monitor or Airway Gas Analyzer). Additionally, VMDs typically represent units that may be plugged into other

¹³ A separate battery object is defined in the 11073-10201 standard for systems that report more advanced battery information.

¹⁴ This attribute is defined as a PowerStatus enumeration; however, for this Technical Framework, the value strings are defined.

555

devices such as physiological monitors. The attributes in the following table apply to all VMD instances in the device specializations defined below:

Table 3.6-1: Virtual Medical Device (VMD) Attributes

Virtual Medical Device (VMD) Attributes				
Attribute	Description	Term Code	Data Type ¹⁵	Values
Type	General category of the VMD (e.g., infusion pump)	MDC_ATTR_ID_TYPE (1::2351)	TYPE	For example, MDC_DEV_SYS_PT_VENT_VMD (1::4466)
VMD-Status	VMD's basic operational status	MDC_ATTR_VMD_STAT (1::2466)	TEXT ¹⁶	"vmd-off", "vmd-not-ready", "vmd-standby", "vmd-transduc-discon", "vmd-hw-discon"
VMD-Model	Manufacturer & Model label strings	MDC_ATTR_ID_MODEL (1::2344)	SystemModel	manufacturer="Philips" model="IntelliVue MP70"
Production-Specification	List of serial numbers and other items such as GMDN code	MDC_ATTR_ID_PROD_SPECN (1::2349)	List of ProdSpecEntry	serial-number="XYZ12345" sw-revision="03.02.01"
Position	Physical "slot" that the VMD is plugged into	MDC_ATTR_ID_POSN (1::2348)	UInt16	3
Locale	Structure defining the device's country, language and character setting.	MDC_ATTR_LOCALE (1::2600)	Locale	Same as MDS above.

3.7 Channel semantics

560

Channels provide aggregation for closely related parameters. For devices that contain "channels" (e.g., ECG channels or infusion pump fluid channels), these definitions provide a means for differentiating parameters with identical term codes (e.g., fluid source channel rate or volume infused) but contained in different channels. The attributes in the following table apply to all Channel instances in the device specializations defined below:

¹⁵ Data types are further defined in Section 3.4 *Basic data type specifications*.

¹⁶ For the purposes of this technical framework, this data type which is VMDStatus, an enumerated set of bit flags, is defined as a set of string values; multiple of these may be active at the same time.

Table 3.7-1: Channel Attributes

Channel Attributes				
Attribute	Description	Term Code	Data Type ¹⁷	Values
Type ¹⁸	General category of the VMD (e.g., infusion pump)	MDC_ATTR_ID_TYPE (1::2351)	TYPE	For example, MDC_DEV_SYS_PT_VENT_VMD (1::4466)
Channel-Status	Channel’s operational status	MDC_ATTR_CHAN_STAT (1::2320)	TEXT ¹⁹	“chan-off”, “chan-not-ready”, “chan-standby”, “chan-transduc-discon”, “chan-hw-discon”
Physical-Channel-No	Numeric ID of a hardware channel	MDC_ATTR_CHAN_NUM_PHYS (1::2319)	UInt16	12
Logical-Channel-No	Dynamically assigned channel number; for channels that may have an assignment that changes due to reconfiguration.	MDC_ATTR_CHAN_NUM_LOGICAL (1::2606)	UInt16	3

¹⁷ Data types are further defined in Section 3.4 *Basic data type specifications*.

¹⁸ Note: A Channel-Type attribute has been proposed, which would allow for parameters such as “secondary infusion channel”.

¹⁹ For the purposes of this technical framework, this data type which is ChannelStatus, an enumerated set of bit flags, is defined as a set of string values. Multiple flags can be asserted at the same time.

565 **4 Reserved**

Section reserved for future updates.

570 ***Editor's Note:** This section is reserved for the Rosetta Terminology Mapping data set specifications. Implementation details such as file specification and design may be captured in an appendix.*

5 Reserved

This section is reserved for future updates.

575 ***Editor's Note:** This section is reserved for non-profile specific content modules (e.g., value set specifications) such as for Device Specialization – General.*

6 Reserved

This section is reserved for future updates.

580

***Editor's Note:** This section is reserved for profile specific content modules such as for ACM or MEM/CMMS. Note that Device Specialization profiles have their own section.*

7 Device specialization content modules

585 The content module specifications in this section focus on typical device classes or “modalities” that are often found in healthcare delivery and that directly support device specialization integration profiles.

7.1 Device: Infusion Pump

590 **Editor’s Note:** This section will be updated with the content from the Device Specialization – Infusion Pump Profile that is currently under development.

7.1.1 Containment tree

Infusion pumps organize their information as follows:

595 **Table 7.1.1-1: Infusion Pump Containment Tree**

Infusion Pump Containment Tree			
MDS: Infusion Pump		MDC_DEV_PUMP_INFUS_MDS (1::4449)	
VMD: Infusion Pump		MDC_DEV_PUMP_INFUS_VMD (1::4450)	
		Channel: Source	MDC_DEV_PUMP_INFUS_CHAN_SOURCE (1::61441)
		Channel: Delivery	MDC_DEV_PUMP_INFUS_CHAN_DELIVERY (1::61442)

600 For devices that support a secondary or “piggy-back” channel, two Source channels should be defined, one as the primary channel, and one as the secondary. In other words, source channels are defined for each fluid that is routed to a given delivery or distal path. An infusor VMD shall have one and only one delivery channel. Devices that contain multiple delivery channels shall define multiple infusor VMD instances.

7.1.2 Channel: Source

Fluid source infusion channels may contain the following parameters:

Table 7.1.2-1: Infusor Source Channel Parameters

Infusor Source Channel Parameters				
Name	Term Code	Data Type	Units	Values
Set Fluid Delivery Rate	MDC_FLOW_FLUID_PUMP (2::26712)	Numeric::FLOAT	MDC_DIM_MILLI_L_PER_HR (4::3122)	
Remaining VTBI	MDC_VOL_FLUID_TBI_REMAIN (2::26800)	Numeric::FLOAT	MDC_DIM_MILLI_L (4::1618)	
Duration	MDC_TIME_PD_REMAIN (2::26844)	Numeric::FLOAT	MDC_DIM_MIN (4::2208)	

Infusor Source Channel Parameters				
Name	Term Code	Data Type	Units	Values
Drug Dose Rate	MDC_FLOW_DRUG_DELIV (2::26732)	Numeric::FLOAT	MDC_DIM_MILLI_G_PER_HR 4:: (3378) / MDC_DIM_MILLI_G_PER_MIN (4::3346) / MDC_DIM_MICRO_G_PER_HR (4::3379) / MDC_DIM_MICRO_G_PER_MIN (4::3347) / MDC_DIM_X_INTL_UNIT_PER_HR (4::5696)	
Volume Infused	MDC_VOL_FLUID_DELIV (2::26792)	Numeric::FLOAT-Type	MDC_DIM_MILLI_L (4::1618)	
Drug Label	MDC_DRUG_NAME_TYPE (2::53258)	Enumeration::TEXT	N/A	

605

7.1.3 Channel: Delivery

Fluid delivery infusion channels may contain the following parameters:

Table 7.1.3-1: Infusor Delivery Channel Parameters

Infusor Delivery Channel Parameters				
Name	Term Code	Data Type	Units	Values
Total Current Rate	MDC_FLOW_FLUID_PUMP (2::26712)	Numeric::FLOAT-Type	MDC_DIM_MILLI_L_PER_HR (4::3122)	
Total Volume Infused	MDC_VOL_INFUS_ACTUAL_TOTAL (2::26876)	Numeric::FLOAT-Type	MDC_DIM_MILLI_L (4::1618)	
Operational Status	MDC_PUMP_STAT (2::53436)	Enumeration::TEXT ²⁰	N/A	“pump-status-infusing” + “pump-status-kvo” + “pump-status-ready” + “pump-status-standby” + “pump-status-paused”
Operational Mode	MDC_PUMP_MODE (2::53432)	Enumeration::TEXT ²⁰	N/A	“pump-mode-nominal” + “pump-mode-secondary” + “pump-mode-drug-dosing”

²⁰ This parameter is specified as a set of bit flags, but for this technical framework, the enumerated text strings shall be used.

7.2 Device: Ventilator

610 **Editor’s Note:** This section will be updated with the results of the on-going ventilator working
 group efforts (in conjunction with ISO TC121 and ISO/IEEE 11073); this effort should also
 ultimately result in a Device Specialization – Ventilator Integration Profile that will then totally
 replace the content in this section. The information that is currently here tracks the results of the
 615 IEEE 11073 ventilator specialization group that was working on the ISO/IEEE 11073-10303
 standard.

7.2.1 Containment tree

Ventilators organization their information according to the following containment tree:

Table 7.2.1-1: Ventilator Containment Tree

Ventilator Containment Tree		
MDS: Ventilator		MDC_DEV_SYS_PT_VENT_MDS (1::4465)
	VMD: Ventilator	
	Channel: Ventilator	MDC_DEV_SYS_PT_VENT_VMD (1::4466)
	Channel: Nebulizer	MDC_DEV_SYS_PT_VENT_CHAN (4467)
	VMD: Airway Multi-Parameter	
	Channel: Pressure	MDC_DEV_ANALY_PRESS_AWAY_CHAN (1::4171)
	Channel: Flow	MDC_DEV_ANALY_FLOW_AWAY_CHAN (1::4131)
	Channel: Volume	MDC_DEV_ANALY_VOL_AWAY_CHAN (1::61452)
	Channel: Breath Pattern	MDC_DEV_ANALY_BREATH_PATTERN_CHAN (1::61456)
	VMD: Pulse-Oximeter	
	Channel: Pulse-Ox	
	Channel: Pulse Rate	
	VMD: Airway Gas Analyzer	
	Channel: Oxygenation	
	Channel: NO/NO ₂	
	Channel: CO ₂	
	Channel: Resp CO ₂	
	Channel: Anesthesia Agent	

620

625 **7.2.2 Channel: Ventilator**

The ventilator channel contains the following semantics:

Table 7.2.2-1: Ventilator Channel Parameters

Ventilator Channel Parameters				
Name	Term Code	Data Type	Units	Values
Operational Mode	MDC_VENT_MODE (2::53280)	Enumeration::TEXT ²⁰	N/A	“vent-mode-cpap” + “vent-mode-simv” + “vent-mode-insp-assist”
Set Breath Rate	MDC_RESP_RATE (2::20490)	Numeric::FLOAT-Type	MDC_DIM_RESP_PER_MIN (4::2784)	
Set Tidal Volume	MDC_VOL_AWAY_TIDAL_EXP (2::61454)	Numeric::FLOAT-Type	MDC_DIM_MILLIL (4::1618)	
Set Peak Inspiratory Flow	MDC_VENT_FLOW_INSP (2::61440)	Numeric::FLOAT-Type	MDC_DIM_X_L_PER_MIN (4::3072)	
Set PEEP	MDC_PRESS_AWAY_END_EXP_POS (2::20732)	Numeric::FLOAT-Type	MDC_DIM_CM_H2O (4::3904)	
Set Inspiratory Time	MDC_TIME_PD_INSP (2::61458)	Numeric::FLOAT-Type	MDC_DIM_SEC (4::2176)	
Set Inspiratory Pause	MDC_VENT_TIME_PD_PAUSE_INSP (2::61443)	Numeric::FLOAT-Type	MDC_DIM_SEC (4::2176)	
Set Flow Shape	MDC_VENT_FLOW_SHAPE (2::61449)	Enumeration::TEXT	N/A	“waveform-shape-square”; “waveform-shape-decelerating”
Set FiO2	MDC_VENT_CONC_AWAY_O2 (2::20648)	Numeric::FLOAT-Type	MDC_DIM_PERCENT (4::544)	

7.2.3 Channel: Airway Pressure

630 The airway pressure channel includes the following parameters:

Table 7.2.3-1: Airway Pressure Channel Parameters

Airway Pressure Channel Parameters				
Name	Term Code	Data Type	Units	Values
Peak Inspiratory Pressure (PIP)	MDC_PRESS_AWAY_INSP_PEAK (2::20745)	Numeric::FLOAT-Type	MDC_DIM_CM_H2O (4::3904)	
Mean Airway	MDC_PRESS_AWAY_MEAN (2::61451)	Numeric::FLOAT-Type	MDC_DIM_CM_H2O (4::3904)	

Airway Pressure Channel Parameters				
Name	Term Code	Data Type	Units	Values
Pressure (MAP)				
PEEP	MDC_PRESS_AWAY_END_EXP_POS (2::20732)	Numeric::FLOAT-Type	MDC_DIM_CM_H2O (4::3904)	

7.2.4 Channel: Airway Volume

The airway volume channel includes the following parameters:

635

Table 7.2.4-1: Airway Volume Channel Parameters

Airway Volume Channel Parameters				
Name	Term Code	Data Type	Units	Values
Exhaled Tidal Volume	MDC_VOL_AWAY_TIDAL_EXP (2::61454)	Numeric::FLOAT-Type	MDC_DIM_MILLI_L (4::1618)	
Exhaled Minute Volume	MDC_VOL_AWAY_MINUTE_EXP (2::61455)	Numeric::FLOAT-Type	MDC_DIM_X_L (4::1600)	

7.2.5 Channel: Airway Breath Pattern

The airway breath pattern channel includes the following parameters:

Table 7.2.5-1: Airway Breath Pattern Channel Parameters

Airway Breath Pattern Channel Parameters				
Name	Term Code	Data Type	Units	Values
I:E Ratio	MDC_RATIO_IE (2::20760)	Numeric::Compound::FLOAT-Type	MDC_DIM_DIMLESS (4::512)	
	MDC_RATIO_INSP (2::61461)			
	MDC_RATIO_EXP (2::61462)			
Breath Rate	MDC_RESP_RATE (2::20490)	Numeric::FLOAT-Type	MDC_DIM_RESP_PER_MIN (4::2784)	
Inspiratory Time	MDC_TIME_PD_INSP (2::61458)	Numeric::FLOAT-Type	MDC_DIM_SEC (4::2176)	

640

7.3 Device: Physiologic Monitor

645

Editor’s Note: The information that is in this section tracks the results of the IEEE 11073 physiological monitor specialization group that was working on the ISO/IEEE 11073-10302 standard. It is anticipated that ultimately this section shall be replaced by a Device Specialization – Physiological Monitor Integration Profile. Note that many of the Channel sections below contain empty tables. The content is exactly as it has been published previously within the PCD TF-2 Appendix D. The original intent was to add exemplar parameters into these tables; however, that activity was never undertaken. It could be the subject of a fairly simple CP to TF-3 though.

650

7.3.1 Containment tree

Physiological monitors are comprised of a number of different VMDs as indicated in the following containment tree:

655

Table 7.3-1: Physiological Monitor Containment Tree

Physiological Monitor Containment Tree		
MDS: Physiological Monitor		MDC_DEV_METER_PHYSIO_MULTI_PARAM_MDS (1::4301)
	VMD: Blood Pressure	
	Channel: Invasive BP	MDC_DEV_METER_PRESS_BLD_CHAN (1::4319)
	Channel: Non-Invasive BP	MDC_DEV_PRESS_BLD_NONINV_CHAN (1::5151)
	Channel: Pulse Rate BP	
	VMD: Temperature	
	Channel: Temperature	MDC_DEV_METER_TEMP_CHAN (1::4367)
	VMD: Pulse-Oximeter	
	Channel: Pulse-Ox	MDC_DEV_ANALY_SAT_O2_CHAN (1::4107)
	Channel: Pulse Rate Ox	
	VMD: ECG Monitor	
	Channel: ECG	MDC_DEV_ECG_CHAN (1::4263)
	Channel: ECG Resp	MDC_DEV_ECG_RESP_CHAN (1::5131)
	Channel: Heart Rate	MDC_DEV_GEN_RATE_HEART_CHAN (1::4251)
	Channel: Arrhythmia	MDC_DEV_ARRHY_CHAN (1::5135)
	Channel: Ischemia	
	Channel: ECG Measurements	
	VMD: Cardiac Output	
	Channel: Continuous CO	
	Channel: Intermittent CO	
	VMD: Hemodynamics Calculator	
	Channel: Hemodynamics Calc.	MDC_DEV_CALC_HEMO_CHAN (1::4211)

7.3.2 Channel: Invasive Blood Pressure

Invasive blood pressure channels may contain the following parameters:

Table 7.3.2-1: Invasive Blood Pressure Channel Parameters

Invasive Blood Pressure Channel Parameters				
Name	Term Code	Data Type	Units	Values
Arterial Blood Pressure	MDC_PRESS_BLD_ART_ABP (2::18964)	Numeric::Compound::FLOAT-Type	MDC_DIM_CM_H2O (4::3904)	
	MDC_PRESS_BLD_ART_ABP_SYS (2::18965)			
	MDC_PRESS_BLD_ART_ABP_DIA (2::18966)			
	MDC_PRESS_BLD_ART_ABP_MEAN (2::18967)			
Wedge Pressure	MDC_PRESS_BLD_ART_PULM_WEDGE (2::18980)	Numeric::FLOAT-Type	MDC_DIM_CM_H2O (4::3904)	

660

7.3.3 Channel: Blood Pressure – Non-Invasive

Non-invasive blood pressure channels may contain the following parameters:

Table 7.3.3-1: Non-Invasive Blood Pressure Channel Parameters

Non-Invasive Blood Pressure Channel Parameters				
Name	Term Code	Data Type	Units	Values
Non-Invasive Blood Pressure	MDC_PRESS_BLD_NONINV (2::18948)	Numeric::Compound::FLOAT-Type	MDC_DIM_CM_H2O (4::3904)	
	MDC_PRESS_BLD_NONINV_SYS (2::18949)			
	MDC_PRESS_BLD_NONINV_DIA (2::18950)			
	MDC_PRESS_BLD_NONINV_MEAN (2::18951)			
Cuff Pressure	MDC_PRESS_CUFF (2::19228)	Numeric::FLOAT-Type	MDC_DIM_CM_H2O (4::3904)	
	MDC_PRESS_CUFF_SYS (2::19229)			
	MDC_PRESS_CUFF_DIA (2::19230)			
	MDC_PRESS_CUFF_MEAN (2::19231)			

665 7.3.4 Channel: Blood Pressure – Pulse Rate

Pulse rate blood pressure channels may contain the following parameters:

670

Table 7.3.4-1: Pulse Rate (Blood Pressure) Channel Parameters

Pulse Rate (Blood Pressure) Channel Parameters				
Name	Term Code	Data Type	Units	Values
Pulse Rate	MDC_PRESS_RATE (2::18442)	Numeric::Compound::FLOAT-Type	MDC_DIM_CM_H2O (4::3904)	

7.3.5 Channel: Temperature

Temperature channels may contain the following parameters:

Table 7.3.5-1: Temperature Channel Parameters

Temperature Channel Parameters				
Name	Term Code	Data Type	Units	Values
Body Temp	MDC_TEMP_BODY (2::19292)	Numeric::FLOAT-Type	NOM_DIM_DEGC (4::6048)	
Skin Temp	MDC_TEMP_SKIN (2::19316)	Numeric::FLOAT-Type	NOM_DIM_DEGC (4::6048)	
Core Temp	MDC_TEMP_CORE (2::19296)	Numeric::FLOAT-Type	NOM_DIM_DEGC (4::6048)	

675

7.3.6 Channel: Pulse Ox

Pulse oximeter channels may contain the following parameters:

Table 7.3.6-1: Pulse Ox Channel Parameters

Pulse Ox Channel Parameters				
Name	Term Code	Data Type	Units	Values

680

7.3.7 Channel: Pulse Rate Ox

Pulse rate oximeter channels may contain the following parameters:

Table 7.3.7-1: Pulse Rate Ox Channel Parameters

Pulse Rate Ox Channel Parameters				
Name	Term Code	Data Type	Units	Values

7.3.8 Channel: ECG Monitoring

ECG monitoring channels may contain the following parameters:

685

Table 7.3.8-1: ECG Monitoring Channel Parameters

ECG Monitoring Channel Parameters				
Name	Term Code	Data Type	Units	Values

7.3.9 Channel: ECG Resp

ECG respiration channels may contain the following parameters:

Table 7.3.9-1: ECG Respiration Channel Parameters

ECG Respiration Channel Parameters				
Name	Term Code	Data Type	Units	Values

690

7.3.10 Channel: Heart Rate

ECG heart rate channels may contain the following parameters:

Table 7.3.10-1: Heart Rate Channel Parameters

Heart Rate Channel Parameters				
Name	Term Code	Data Type	Units	Values

7.3.11 Channel: Arrhythmia

695

ECG arrhythmia channels may contain the following parameters:

Table 7.3.11-1: Arrhythmia Channel Parameters

Arrhythmia Channel Parameters				
Name	Term Code	Data Type	Units	Values

7.3.12 Channel: Ischemia

ECG ischemia channels may contain the following parameters:

Table 7.3.12-1: Ischemia Channel Parameters

Ischemia Channel Parameters				
Name	Term Code	Data Type	Units	Values

700

7.3.13 Channel: ECG Measurements

ECG measurement channels may contain the following parameters:

Table 7.3.13-1: ECG Measurements Channel Parameters

ECG Measurements Channel Parameters				
Name	Term Code	Data Type	Units	Values

705

7.3.14 Channel: Cardiac Output – Continuous

Continuous cardiac output channels may contain the following parameters:

Table 7.3.14-1: Continuous Cardiac Output Channel Parameters

Continuous Cardiac Output Channel Parameters				
Name	Term Code	Data Type	Units	Values

7.3.15 Channel: Cardiac Output – Intermittent

710

Intermittent cardiac output channels may contain the following parameters:

Table 7.3.15-1: Intermittent Cardiac Output Channel Parameters

Intermittent Cardiac Output Channel Parameters				
Name	Term Code	Data Type	Units	Values

7.3.16 Channel: Hemodynamics Calculator

715 Hemodynamics calculator channels may contain the following parameters:

Table 7.3.16-1: Hemodynamics Calculator Channel Parameters

Hemodynamics Calculator Channel Parameters				
Name	Term Code	Data Type	Units	Values

Appendix A Reserved

720 *Editor’s Note: Examples of potential Volume 3 appendices include:*
OID assignments specifically for content modules and even term codes
Detailed data type mappings
RTM design specifications