



5 **IHE Quality, Research and Public Health  
Technical Framework Supplement**

10 **Birth and Fetal Death Reporting-Enhanced  
(BFDR-E)**

15 **Trial Implementation**

20 Date: November 3, 2014  
Author: QRPH Technical Committee  
Email: qrph@ihe.net

25 **Please verify you have the most recent version of this document. See [here](#) for Trial Implementation and Final Text versions and [here](#) for Public Comment versions.**

## Foreword

30 This is a supplement to the IHE Quality, Research and Public Health Technical Framework V0.1. Each supplement undergoes a process of public comment and trial implementation before being incorporated into the volumes of the Technical Frameworks.

This supplement is published on November 3, 2014 for trial implementation and may be available for testing at subsequent IHE Connectathons. The supplement may be amended based on the results of testing. Following successful testing it will be incorporated into the Quality, 35 Research and Public Health Technical Framework. Comments are invited and may be submitted at [http://www.ihe.net/QRPH\\_Public\\_Comments](http://www.ihe.net/QRPH_Public_Comments).

This supplement describes changes to the existing technical framework documents.

“Boxed” instructions like the sample below indicate to the Volume Editor how to integrate the relevant section(s) into the relevant Technical Framework volume.

40 

<i>Amend section X.X by the following:</i>
--

Where the amendment adds text, make the added text **bold underline**. Where the amendment removes text, make the removed text **~~bold strikethrough~~**. When entire new sections are added, introduce with editor’s instructions to “add new text” or similar, which for readability are not bolded or underlined.

45

General information about IHE can be found at: <http://ihe.net>.

Information about the IHE IT Infrastructure domain can be found at: [http://ihe.net/IHE\\_Domains](http://ihe.net/IHE_Domains).

50 Information about the organization of IHE Technical Frameworks and Supplements and the process used to create them can be found at: [http://ihe.net/IHE\\_Process](http://ihe.net/IHE_Process) and <http://ihe.net/Profiles>.

The current version of the IHE IT Infrastructure Technical Framework can be found at: [http://ihe.net/Resources/Technical\\_Frameworks](http://ihe.net/Resources/Technical_Frameworks).

55

## CONTENTS

	Introduction to this Supplement.....	23
	Open Issues and Questions .....	24
60	Closed Issues .....	27
	General Introduction .....	30
	Appendix A – Actor Summary Definitions .....	30
	Appendix B – Transaction Summary Definitions.....	30
	Glossary .....	30
65	<b>Volume 1 – Profiles .....</b>	<b>35</b>
	Copyright Licenses.....	35
	Domain-specific additions .....	35
X	Birth and Fetal Death Reporting-Enhanced (BFDR-E) Profile .....	36
	X.1 Actors, Transactions, and Content Modules .....	36
70	X.1.1 Actor Descriptions and Actor Profile Requirements.....	38
	X.1.1.1 Content Creator.....	38
	X.1.1.2 Content Consumer .....	38
	X.1.1.3 Form Filler .....	39
	X.1.1.4 Form Manager .....	39
75	X.1.1.5 Form Receiver .....	40
	X.1.1.6 Form Processor .....	40
	X.1.1.7 Form Receiver CDA Exporter .....	40
	X.1.1.8 Form Receiver Message Exporter .....	40
	X.1.1.9 Form Archiver .....	41
80	X.1.1.10 Information Source .....	41
	X.1.1.11 Information Recipient.....	41
	X.2 Actor Options .....	41
	X.2.1 Form Filler: Pre-Pop Option.....	42
	X.2.2 Form Filler: VR Pre-Pop Option .....	42
85	X.2.3 Form Filler: Archive Form Option .....	42
	X.2.4 Form Manager: Form Pre-Pop Option .....	42
	X.2.5 Form Processor: Form Pre-Pop Option .....	43
	X.3 BFDR-E Required Actor Groupings.....	43
	X.4 BFDR-E Overview .....	43
90	X.4.1 Concepts .....	43
	X.4.2 Use Cases .....	44
	X.4.2.1 Use Case #1: Forms Data Capture with Messaging .....	44
	X.4.2.1.1 Use Case Description.....	44
	X.4.2.1.2 Processing Steps .....	44
95	X.4.2.1.2.1 Pre-conditions .....	44
	X.4.2.1.2.2 Main Flow .....	45
	X.4.2.1.2.3 Post-conditions.....	45

	X.4.2.1.3 Process Flow .....	45
	X.4.2.2 Use Case #2: Forms Data Capture with Document Submission .....	46
100	X.4.2.2.1 Use Case Description.....	47
	X.4.2.2.2 Processing Steps .....	47
	X.4.2.2.2.1 Pre-conditions .....	47
	X.4.2.2.2.2 Main Flow .....	47
	X.4.2.2.2.3 Post-conditions.....	47
105	X.4.2.2.3 Process Flow .....	47
	X.4.2.3 Use Case #3: Native Forms Data Capture .....	48
	X.4.2.3.1 Use Case Description.....	49
	X.4.2.3.2 Processing Steps .....	49
110	X.4.2.3.2.1 Pre-conditions .....	49
	X.4.2.3.2.2 Main Flow .....	49
	X.4.2.3.2.3 Post-conditions.....	49
	X.4.2.3.3 Process Flow .....	49
	X.4.2.4 Use Case #4: EHR BFDR Messaging .....	50
	X.4.2.4.1 Use Case Description.....	51
115	X.4.2.4.2 Processing Steps .....	51
	X.4.2.4.2.1 Pre-conditions .....	51
	X.4.2.4.2.2 Main Flow .....	51
	X.4.2.4.2.3 Post-conditions.....	51
	X.4.2.4.3 Process Flow .....	51
120	X.4.2.5 Use Case #5: EHR BFDR Document Submission .....	51
	X.4.2.5.1 Use Case Description.....	52
	X.4.2.5.2 Processing Steps .....	52
	X.4.2.5.2.1 Pre-conditions .....	52
	X.4.2.5.2.2 Main Flow .....	52
125	X.4.2.5.2.3 Post-conditions.....	52
	X.4.2.5.3 Process Flow .....	52
	X.5 Security Considerations .....	52
	X.6 Cross Profile Considerations.....	53
130	X.6.1 XDS.b, XDM, or XDR XDS.b, XDM, or XDR – Cross Enterprise Document Sharing.b, Cross Enterprise Document Media Interchange, or Cross Enterprise Document Reliable Interchange .....	53
	X.6.2 Sharing Value Set (SVS).....	54
	X.7 BFDR Data Elements .....	54
	Appendices.....	55
135	Appendix A – Sample Forms.....	55
	A.1 Sample Birth ReportingUS Facilities Worksheet .....	56
	A.2 Sample US Fetal Death Facilities Worksheet .....	58
	A.3 Form Data Element Key for Sample US Facilities Worksheet.....	60
	A.4 Form Data Element Key Sample US Fetal Death Facilities Worksheet.....	62
140	Appendix B – Data Element Definitions .....	64

	<b>Volume 2 – Transactions</b> .....	<b>83</b>
	3.37 BFDRFeed [QRPH-37].....	83
	3.37.1 Scope.....	83
	3.37.2 Actor Roles.....	83
145	3.37.3 Referenced Standards.....	84
	3.37.4 Interaction Diagram.....	85
	3.37.4.1 BFDRFeed [QRPH-37].....	85
	3.37.4.1.1 Trigger Events.....	85
	3.37.4.1.2 Message Semantics.....	86
150	3.37.4.1.2.1 MSH Segment.....	86
	3.37.4.1.2.2 SFT Segment.....	86
	3.37.4.1.2.3 EVN Segment.....	87
	3.37.4.1.2.4 PID Segment.....	87
	3.37.4.1.2.5 NK1 Segment.....	95
155	3.37.4.1.2.6 PV1 Segment.....	95
	3.37.4.1.2.7 ROL Segment.....	95
	3.37.4.1.2.8 OBX Segment.....	95
	3.37.4.1.3 Expected Actions.....	96
	3.37.4.1.3.1 ACK.....	96
160	3.37.5 Security Considerations.....	96
	3.37.5.1 Security Audit Considerations BFDRFeed [QRPH-37] (ADT).....	96
	3.37.5.1.1 Information Source Actor audit message.....	96
	3.37.5.1.2 Information Recipient Actor audit message.....	98
	3.Y.5.2 Security Audit Considerations – Retrieve Form [ITI-34] audit message.....	99
165	3.Y.5.3 Security Audit Considerations – Submit Form ([ITI-35]) audit messages.....	99
	3.Y.5.4 Security Audit Considerations –Archive Form ([ITI-36]) audit messages audit messages.....	100
	Volume 2 Namespace Additions.....	101
	<b>Volume 3 – Content Modules</b> .....	<b>102</b>
170	5 Namespaces and Vocabularies.....	103
	6 CDA Content Modules.....	104
	6.3.1 CDA Document Templates.....	104
	6.3.1.D1 Birth Reporting (BFDR-Birth) Document (1.3.6.1.4.1.19376.1.7.3.1.1.19.2)	104
175	6.3.1.D1.1 Format Code.....	104
	6.3.1.D1.2 Parent Template(s).....	104
	6.3.1.D1.3 Referenced Standards.....	104
	6.3.1.D1.4 Data Element Mapping to CDA.....	104
	6.3.1.D1.5 Content Module Specifications.....	104
180	6.3.1.D1.5.1 Document Constraints.....	105
	6.3.1.D1.5.2 Header Constraints - Further Vocabulary or Conditional Constraints	106
	6.3.1.D1.5.2.1 Mother’s Information: birthtime.....	106

	6.3.1.D1.5.2.2 Mother’s Information: ethnicity .....	106
185	6.3.1.D1.5.2.3 Mother’s Information: race .....	106
	6.3.1.D1.5.2.4 Mother’s Information: gender .....	106
	6.3.1.D1.5.2.5 realmCode .....	106
	6.3.1.D1.5.3 Body Constraints – Further Vocabulary or Conditional Constraints .....	106
190	6.3.1.D1.6 Document Example.....	106
	6.3.1.D2 Fetal Death Reporting (BFDR-FDeath) Document (1.3.6.1.4.1.19376.1.7.3.1.1.19.3) .....	107
	6.3.1.D2.1 Format Code .....	107
	6.3.1.D2.2 Parent Template(s).....	107
195	6.3.1.D2.3 Referenced Standards .....	107
	6.3.1.D2.4 Data Element Mapping to CDA.....	107
	6.3.1.D2.5 Content Module Specifications.....	108
	6.3.1.D2.5.1 Document Constraints.....	108
200	6.3.1.D2.5.2 Header Constraints - Further Vocabulary or Conditional Constraints .....	109
	6.3.1.D2.5.2.1 Mother’s Information: birthtime .....	109
	6.3.1.D2.5.2.2 Mother’s Information: ethnicity .....	109
	6.3.1.D2.5.2.3 Mother’s Information: race .....	109
	6.3.1.D2.5.2.4 Mother’s Information: gender .....	109
205	6.3.1.D2.5.2.5 realmCode .....	109
	6.3.1.D2.5.3 Body Constraints – Further Vocabulary or Conditional Constraints .....	109
	6.3.1.D2.6 Document Example.....	109
210	6.3.1.D3 Labor and Delivery Summary for Vital Records (LDS-VR) Document.....	110
	6.3.1.D3.1 Format Code .....	110
	6.3.1.D3.2 Parent Template(s).....	110
	6.3.1.D3.3 Referenced Standards .....	110
	6.3.1.D3.4 Data Element Mapping to CDA.....	110
	6.3.1.D3.5 Content Module Specifications.....	110
215	6.3.1.D3.5.1 Document Constraints.....	111
	6.3.1.D3.5.2 Header – Further Vocabulary or Conditional Constraints .....	113
	6.3.1.D3.5.2.1 documentationOf/encompassingEncounter.....	113
	6.3.1.D3.5.3 Body - Further Vocabulary or Conditional Constraints.....	114
220	6.3.1.D3.5.3.1 Admission Medication History .....	114
	6.3.1.D3.5.3.2 Coded History of Infection.....	115
	6.3.1.D3.5.3.3 Pregnancy History .....	116
	6.3.1.D3.5.3.4 Active Problems .....	118
	6.3.1.D3.5.3.5 Coded Detailed Physical Examination.....	119
225	6.3.1.D3.5.3.6 Coded Detailed Physical Examination.Coded Vital Signs.....	119
	6.3.1.D3.5.3.7 Medications Administered .....	120
	6.3.1.D3.5.3.8 Labor and Delivery Events.....	121

	6.3.1.D3.5.3.9 Labor and Delivery Events.Procedures and Interventions .....	121
	6.3.1.D3.5.3.10 Labor and Delivery Events.Coded Event Outcomes.....	123
	6.3.1.D3.5.3.11 Newborn Delivery Information .....	125
230	6.3.1.D3.5.3.11.1 Subject Participation .....	125
	6.3.1.D3.5.3.12 Newborn Delivery Information.Coded Physical Detailed Examination.....	126
	6.3.1.D3.5.3.13 Newborn Delivery Information.Coded Detailed Physical Examination.Coded Vital Signs .....	130
235	6.3.1.D3.5.3.14 Newborn Delivery Information.Coded Detailed Physical Examination.General Appearance .....	131
	6.3.1.D3.5.3.15 Newborn Delivery Information.Active Problems .....	133
	6.3.1.D3.5.3.16 Newborn Delivery Information.Procedures and Interventions .....	133
240	6.3.1.D3.5.3.17 Newborn Delivery Information.Medications Administered	134
	6.3.1.D3.5.3.18 Newborn Delivery Information.Coded Event Outcomes .....	135
	6.3.1.D3.5.3.19 Newborn Delivery Information.Coded Results.....	138
	6.3.1.D3.5.3.20 Payers .....	139
	6.3.1.D3.6 Document Example.....	139
245	6.3.2 CDA Header Templates .....	140
	6.3.3 CDA Section Templates.....	140
	6.3.4 CDA Entry Content Module Templates.....	140
	6.4 Section not applicable .....	140
	6.5 Value Sets .....	140
250	6.5.1 Value Sets used by this profile.....	140
	6.5.2 Value Sets Defined by this profile .....	155
	6.6 Data Mappings .....	156
	6.6.1 Form Data Element Mappings from Pre-Pop Document .....	156
255	6.6.1.1 Form Derivation Rules .....	169
	6.6.1.1.1 ANTI.....	170
	6.6.1.1.1.1 ANTI Derivation Rule .....	170
	6.6.1.1.1.2 ANTI LDS Source and Logic Variables.....	170
	6.6.1.1.1.3 ANTI Value Sets.....	171
	6.6.1.1.2 AVEN1 .....	171
260	6.6.1.1.2.1 AVEN1 Derivation Rule.....	171
	6.6.1.1.2.2 AVEN1 LDS Source and Logic Variables .....	171
	6.6.1.1.2.3 AVEN1 Value Sets .....	172
	6.6.1.1.3 AVEN6 .....	172
	6.6.1.1.3.1 AVEN6 Derivation Rule.....	172
265	6.6.1.1.3.2 AVEN6 LDS Source and Logic Variables .....	172
	6.6.1.1.3.3 AVEN6 Value Sets .....	173
	6.6.1.1.4 BINJ .....	173
	6.6.1.1.4.1 BINJ Derivation Rule .....	173
	6.6.1.1.4.2 BINJ LDS Source and Logic Variables .....	173

270	6.6.1.1.4.3 BINJ Value Sets .....	173
	6.6.1.1.5 NICU.....	173
	6.6.1.1.5.1 NICU Derivation Rule .....	173
	6.6.1.1.5.2 NICU LDS Source and Logic Variables.....	174
	6.6.1.1.5.3 NICU Value Sets.....	174
275	6.6.1.1.6 SEIZ.....	174
	6.6.1.1.6.1 SEIZ Derivation Rule .....	174
	6.6.1.1.6.2 SEIZ LDS Source and Logic Variables .....	174
	6.6.1.1.6.3 SEIZ Value Sets.....	175
	6.6.1.1.7 SURF .....	175
280	6.6.1.1.7.1 SURF Derivation Rule.....	175
	6.6.1.1.7.2 SURF LDS Source and Logic Variables .....	175
	6.6.1.1.7.3 SURF Value Sets .....	176
	6.6.1.1.8 NOA54.....	176
	6.6.1.1.8.1 NOA54 Derivation Rule .....	176
285	6.6.1.1.8.2 NOA54 LDS Source and Logic Variables.....	176
	6.6.1.1.8.3 NOA54 Value Sets.....	176
	6.6.1.1.9 DNA54.....	176
	6.6.1.1.9.1 DNA54 Derivation Rule .....	176
	6.6.1.1.9.2 DNA54 LDS Source and Logic Variables.....	176
290	6.6.1.1.9.3 DNA54 Value Sets.....	176
	6.6.1.1.10 APGAR5.....	176
	6.6.1.1.10.1 APGAR5 Derivation Rule .....	176
	6.6.1.1.10.2 APGAR5 LDS Source and Logic Variables.....	176
	6.6.1.1.10.3 APGAR5 Value Sets.....	177
295	6.6.1.1.11 APGAR10.....	177
	6.6.1.1.11.1 APGAR10 Derivation Rule .....	177
	6.6.1.1.11.2 APGAR10 LDS Source and Logic Variables .....	177
	6.6.1.1.11.3 APGAR10 Value Sets.....	178
	6.6.1.1.12 ATTENDN .....	178
300	6.6.1.1.12.1 ATTENDN Derivation Rule.....	178
	6.6.1.1.12.2 ATTENDN LDS Source and Logic Variables.....	178
	6.6.1.1.12.3 ATTENDN Value Sets .....	179
	6.6.1.1.13 ATTEND .....	179
	6.6.1.1.13.1 ATTEND Derivation Rule.....	179
305	6.6.1.1.13.2 ATTEND LDS Source and Logic Variables .....	179
	6.6.1.1.13.3 ATTEND Value Sets .....	179
	6.6.1.1.14 ATTENDS .....	180
	6.6.1.1.14.1 ATTENDS Derivation Rule.....	180
	6.6.1.1.14.2 ATTENDS LDS Source and Logic Variables .....	180
310	6.6.1.1.14.3 ATTENDS Value Sets .....	180
	6.6.1.1.15 NPI.....	180
	6.6.1.1.15.1 NPI Derivation Rule .....	180



	6.6.1.1.15.2 NPI LDS Source and Logic Variables .....	180
	6.6.1.1.15.3 NPI Value Sets .....	181
315	6.6.1.1.16 BWG .....	181
	6.6.1.1.16.1 BWG Derivation Rule.....	181
	6.6.1.1.16.2 BWG LDS Source and Logic Variables .....	181
	6.6.1.1.16.3 BWG Value Sets .....	182
	6.6.1.1.17 BWO .....	182
320	6.6.1.1.17.1 BWO Derivation Rule.....	182
	6.6.1.1.17.2 BWO LDS Source and Logic Variables .....	182
	6.6.1.1.17.3 BWO Value Sets .....	183
	6.6.1.1.18 BWP.....	183
	6.6.1.1.18.1 BWP Derivation Rule .....	183
325	6.6.1.1.18.2 BWP LDS Source and Logic Variables.....	183
	6.6.1.1.18.3 BWP Value Sets.....	184
	6.6.1.1.19 ANTB .....	184
	6.6.1.1.19.1 ANTB Derivation Rule .....	184
	6.6.1.1.19.2 ANTB LDS Source and Logic Variables.....	184
330	6.6.1.1.19.3 ANTB Value Sets .....	185
	6.6.1.1.20 AUGL .....	186
	6.6.1.1.20.1 AUGL Derivation Rule.....	186
	6.6.1.1.20.2 AUGL LDS Source and Logic Variables .....	186
	6.6.1.1.20.3 AUGL Value Sets .....	186
335	6.6.1.1.21 CHOR .....	187
	6.6.1.1.21.1 CHOR Derivation Rule.....	187
	6.6.1.1.21.2 CHOR LDS Source and Logic Variables .....	187
	6.6.1.1.21.3 CHOR Value Sets .....	187
	6.6.1.1.22 ESAN.....	187
340	6.6.1.1.22.1 ESAN Derivation Rule .....	187
	6.6.1.1.22.2 ESAN LDS Source and Logic Variables .....	187
	6.6.1.1.22.3 ESAN Value Sets .....	188
	6.6.1.1.23 INDL.....	188
	6.6.1.1.23.1 INDL Derivation Rule .....	188
345	6.6.1.1.23.2 INDL LDS Source and Logic Variables.....	188
	6.6.1.1.23.3 INDL Value Sets.....	189
	6.6.1.1.24 STER.....	189
	6.6.1.1.24.1 STER Derivation Rule .....	189
	6.6.1.1.24.2 STER LDS Source and Logic Variables.....	189
350	6.6.1.1.24.3 STER Value Sets.....	189
	6.6.1.1.25 NOA04.....	189
	6.6.1.1.25.1 NOA04 Derivation Rule .....	189
	6.6.1.1.25.2 NOA04 LDS Source and Logic Variables.....	189
	6.6.1.1.25.3 NOA04 Value Sets.....	190
355	6.6.1.1.26 DNA04.....	190

	6.6.1.1.26.1 DNA04 Derivation Rule .....	190
	6.6.1.1.26.2 DNA04 LDS Source and Logic Variables .....	190
	6.6.1.1.26.3 DNA04 Value Sets .....	190
	6.6.1.1.27 IDOB_YR .....	190
360	6.6.1.1.27.1 IDOB_YR Derivation Rule .....	190
	6.6.1.1.27.2 IDOB_YR LDS Source and Logic Variables .....	190
	6.6.1.1.27.3 IDOB_YR Value Sets .....	190
	6.6.1.1.28 IDOB_MO .....	190
	6.6.1.1.28.1 IDOB_MO Derivation Rule .....	190
365	6.6.1.1.28.2 IDOB_MO LDS Source and Logic Variables .....	190
	6.6.1.1.28.3 IDOB_MO Value Sets .....	191
	6.6.1.1.29 IDOB_DY .....	191
	6.6.1.1.29.1 IDOB_DY Derivation Rule .....	191
	6.6.1.1.29.2 IDOB_DY LDS Source and Logic Variables .....	191
370	6.6.1.1.29.3 IDOB_DY Value Sets .....	191
	6.6.1.1.30 KIDFNAME .....	191
	6.6.1.1.30.1 KIDFNAME Derivation Rule .....	191
	6.6.1.1.30.2 KIDFNAME LDS Source and Logic Variables .....	191
	6.6.1.1.30.3 KIDFNAME Value Sets .....	191
375	6.6.1.1.31 KIDMNAME .....	191
	6.6.1.1.31.1 KIDMNAME Derivation Rule .....	191
	6.6.1.1.31.2 KIDMNAME LDS Source and Logic Variables .....	192
	6.6.1.1.31.3 KIDMNAME Value Sets .....	192
	6.6.1.1.32 KIDLNAME .....	192
380	6.6.1.1.32.1 KIDLNAME Derivation Rule .....	192
	6.6.1.1.32.2 KIDLNAME LDS Source and Logic Variables .....	192
	6.6.1.1.32.3 KIDLNAME Value Sets .....	192
	6.6.1.1.33 KIDSUFFIX .....	192
	6.6.1.1.33.1 KIDSUFFIX Derivation Rule .....	192
385	6.6.1.1.33.2 KIDSUFFIX LDS Source and Logic Variables .....	192
	6.6.1.1.33.3 KIDSUFFIX Value Sets .....	192
	6.6.1.1.34 BFED .....	192
	6.6.1.1.34.1 BFED Derivation Rule .....	192
	6.6.1.1.34.2 BFED LDS Source and Logic Variables .....	193
390	6.6.1.1.34.3 BFED Value Sets .....	193
	6.6.1.1.35 ILIV .....	193
	6.6.1.1.35.1 ILIV Derivation Rule .....	193
	6.6.1.1.35.2 ILIV LDS Source and Logic Variables .....	193
	6.6.1.1.35.3 ILIV Value Sets .....	194
395	6.6.1.1.36 IRECNUM .....	194
	6.6.1.1.36.1 IRECNUM Derivation Rule .....	194
	6.6.1.1.36.2 IRECNUM LDS Source and Logic Variables .....	194
	6.6.1.1.36.3 IRECNUM Value Sets .....	194

	6.6.1.1.37 ISEX .....	194
400	6.6.1.1.37.1 ISEX Derivation Rule .....	194
	6.6.1.1.37.2 ISEX LDS Source and Logic Variables.....	194
	6.6.1.1.37.3 ISEX Value Sets .....	194
	6.6.1.1.38 ITRAN .....	195
	6.6.1.1.38.1 ITRAN Derivation Rule.....	195
405	6.6.1.1.38.2 ITRAN LDS Source and Logic Variables .....	195
	6.6.1.1.38.3 ITRAN Value Sets .....	195
	6.6.1.1.39 FTRAN .....	196
	6.6.1.1.39.1 FTRAN Derivation Rule.....	196
	6.6.1.1.39.2 FTRAN LDS Source and Logic Variables .....	196
410	6.6.1.1.39.3 FTRAN Value Sets .....	197
	6.6.1.1.40 TB .....	197
	6.6.1.1.40.1 TB Derivation Rule.....	197
	6.6.1.1.40.2 TB LDS Source and Logic Variables .....	197
	6.6.1.1.40.3 TB Value Sets .....	197
415	6.6.1.1.41 ANEN .....	197
	6.6.1.1.41.1 ANEN Derivation Rule.....	197
	6.6.1.1.41.2 ANEN LDS Source and Logic Variables .....	197
	6.6.1.1.41.3 ANTI Value Sets.....	198
	6.6.1.1.42 CCHD .....	198
420	6.6.1.1.42.1 CCHD Derivation Rule.....	198
	6.6.1.1.42.2 CCHD LDS Source and Logic Variables .....	198
	6.6.1.1.42.3 CCHD Value Sets .....	198
	6.6.1.1.43 CDH.....	198
	6.6.1.1.43.1 CDH Derivation Rule .....	198
425	6.6.1.1.43.2 CDH LDS Source and Logic Variables .....	198
	6.6.1.1.43.3 CDH Value Sets.....	199
	6.6.1.1.44 CDIC.....	199
	6.6.1.1.44.1 CDIC Derivation Rule .....	199
	6.6.1.1.44.2 CDIC LDS Source and Logic Variables.....	199
430	6.6.1.1.44.3 CDIC Value Sets.....	200
	6.6.1.1.45 CDIS .....	200
	6.6.1.1.45.1 CDIS Derivation Rule.....	200
	6.6.1.1.45.2 CDIS LDS Source and Logic Variables .....	200
	6.6.1.1.45.3 CDIS Value Sets .....	200
435	6.6.1.1.46 CDIP .....	200
	6.6.1.1.46.1 CDIP Derivation Rule.....	200
	6.6.1.1.46.2 CDIP LDS Source and Logic Variables .....	200
	6.6.1.1.46.3 CDIP Value Sets .....	202
	6.6.1.1.47 CL .....	202
440	6.6.1.1.47.1 CL Derivation Rule.....	202
	6.6.1.1.47.2 CL LDS Source and Logic Variables .....	202

	6.6.1.1.47.3 CL Value Sets .....	202
	6.6.1.1.48 CP .....	202
445	6.6.1.1.48.1 CP Derivation Rule .....	202
	6.6.1.1.48.2 CP LDS Source and Logic Variables.....	202
	6.6.1.1.48.3 CP Value Sets .....	203
	6.6.1.1.49 DOWC .....	203
	6.6.1.1.49.1 DOWC Derivation Rule.....	203
450	6.6.1.1.49.2 DOWC LDS Source and Logic Variables .....	203
	6.6.1.1.49.3 DOWC Value Sets .....	203
	6.6.1.1.50 DOWN.....	204
	6.6.1.1.50.1 DOWN Derivation Rule .....	204
	6.6.1.1.50.2 DOWN LDS Source and Logic Variables .....	204
455	6.6.1.1.50.3 DOWN Value Sets .....	204
	6.6.1.1.51 DOWP.....	204
	6.6.1.1.51.1 DOWP Derivation Rule .....	204
	6.6.1.1.51.2 DOWP LDS Source and Logic Variables.....	204
	6.6.1.1.51.3 DOWP Value Sets.....	205
	6.6.1.1.52 GAST.....	206
460	6.6.1.1.52.1 GAST Derivation Rule .....	206
	6.6.1.1.52.2 GAST LDS Source and Logic Variables .....	206
	6.6.1.1.52.3 GAST Value Sets.....	206
	6.6.1.1.53 HYPO .....	206
	6.6.1.1.53.1 HYPO Derivation Rule.....	206
465	6.6.1.1.53.2 HYPO LDS Source and Logic Variables.....	206
	6.6.1.1.53.3 HYPO Value Sets .....	207
	6.6.1.1.54 LIMB .....	207
	6.6.1.1.54.1 LIMB Derivation Rule.....	207
	6.6.1.1.54.2 LIMB LDS Source and Logic Variables .....	207
470	6.6.1.1.54.3 LIMB Value Sets .....	207
	6.6.1.1.55 MNSB.....	207
	6.6.1.1.55.1 MNSB Derivation Rule.....	207
	6.6.1.1.55.2 MNSB LDS Source and Logic Variables .....	208
475	6.6.1.1.55.3 MNSB Value Sets.....	208
	6.6.1.1.56 OMPH.....	208
	6.6.1.1.56.1 OMPH Derivation Rule .....	208
	6.6.1.1.56.2 OMPH LDS Source and Logic Variables.....	208
	6.6.1.1.56.3 OMPH Value Sets.....	209
	6.6.1.1.57 NOA55.....	209
480	6.6.1.1.57.1 NOA55 Derivation Rule .....	209
	6.6.1.1.57.2 NOA55 LDS Source and Logic Variables.....	209
	6.6.1.1.57.3 NOA55 Value Sets.....	209
	6.6.1.1.58 DNA55.....	209
	6.6.1.1.58.1 DNA55 Derivation Rule .....	209

485	6.6.1.1.58.2 DNA55 LDS Source and Logic Variables.....	209
	6.6.1.1.58.3 DNA55 Value Sets.....	209
	6.6.1.1.59 YLLB.....	209
	6.6.1.1.59.1 YLLB Derivation Rule.....	209
	6.6.1.1.59.2 YLLB LDS Source and Logic Variables.....	210
490	6.6.1.1.59.3 YLLB Value Sets.....	210
	6.6.1.1.60 MLLB.....	210
	6.6.1.1.60.1 MLLB Derivation Rule.....	210
	6.6.1.1.60.2 MLLB LDS Source and Logic Variables.....	210
	6.6.1.1.60.3 MLLB Value Sets.....	211
495	6.6.1.1.61 DLMP_DY.....	211
	6.6.1.1.61.1 DLMP_DY Derivation Rule.....	211
	6.6.1.1.61.2 DLMP_DY LDS Source and Logic Variables.....	211
	6.6.1.1.61.3 DLMP_DY Value Sets.....	211
	6.6.1.1.62 DLMP_MO.....	212
500	6.6.1.1.62.1 DLMP_MO Derivation Rule.....	212
	6.6.1.1.62.2 DLMP_MO LDS Source and Logic Variables.....	212
	6.6.1.1.62.3 DLMP_MO Value Sets.....	212
	6.6.1.1.63 DLMP_YR.....	212
	6.6.1.1.63.1 DLMP_YR Derivation Rule.....	212
505	6.6.1.1.63.2 DLMP_YR LDS Source and Logic Variables.....	212
	6.6.1.1.63.3 DLMP_YR Value Sets.....	213
	6.6.1.1.64 YOPO.....	213
	6.6.1.1.64.1 YOPO Derivation Rule.....	213
	6.6.1.1.64.2 YOPO LDS Source and Logic Variables.....	213
510	6.6.1.1.64.3 YOPO Value Sets.....	214
	6.6.1.1.65 MOPO.....	214
	6.6.1.1.65.1 MOPO Derivation Rule.....	214
	6.6.1.1.65.2 MOPO LDS Source and Logic Variables.....	214
	6.6.1.1.65.3 MOPO Value Sets.....	214
515	6.6.1.1.66 ADDRESS_D.....	214
	6.6.1.1.66.1 ADDRESS_D Derivation Rule.....	214
	6.6.1.1.66.2 ADDRESS_D LDS Source and Logic Variables.....	215
	6.6.1.1.66.3 ADDRESS_D Value Sets.....	215
	6.6.1.1.67 FNAME.....	215
520	6.6.1.1.67.1 FNAME Derivation Rule.....	215
	6.6.1.1.67.2 FNAME LDS Source and Logic Variables.....	215
	6.6.1.1.67.3 FNAME Value Sets.....	215
	6.6.1.1.68 FNPI.....	215
	6.6.1.1.68.1 FNPI Derivation Rule.....	215
525	6.6.1.1.68.2 FNPI LDS Source and Logic Variables.....	215
	6.6.1.1.68.3 FNPI Value Sets.....	215
	6.6.1.1.69 CHAM.....	216

	6.6.1.1.69.1 CHAM Derivation Rule.....	216
	6.6.1.1.69.2 CHAM LDS Source and Logic Variables .....	216
530	6.6.1.1.69.3 CHAM Value Sets .....	216
	6.6.1.1.70 GON.....	216
	6.6.1.1.70.1 GON Derivation Rule .....	216
	6.6.1.1.70.2 GON LDS Source and Logic Variables.....	216
	6.6.1.1.70.3 GON Value Sets.....	217
535	6.6.1.1.71 HEPB .....	217
	6.6.1.1.71.1 HEPB Derivation Rule.....	217
	6.6.1.1.71.2 HEPB LDS Source and Logic Variables .....	217
	6.6.1.1.71.3 HEPB Value Sets .....	218
	6.6.1.1.72 HEPC .....	218
540	6.6.1.1.72.1 HEPC Derivation Rule.....	218
	6.6.1.1.72.2 HEPC LDS Source and Logic Variables .....	218
	6.6.1.1.72.3 HEPC Value Sets .....	218
	6.6.1.1.73 SYPH .....	219
	6.6.1.1.73.1 SYPH Derivation Rule.....	219
545	6.6.1.1.73.2 SYPH LDS Source and Logic Variables .....	219
	6.6.1.1.73.3 SYPH Value Sets .....	219
	6.6.1.1.74 NOA02.....	219
	6.6.1.1.74.1 NOA02 Derivation Rule .....	219
	6.6.1.1.74.2 NOA02 LDS Source and Logic Variables.....	219
550	6.6.1.1.74.3 NOA02 Value Sets.....	220
	6.6.1.1.75 AINT.....	220
	6.6.1.1.75.1 AINT Derivation Rule .....	220
	6.6.1.1.75.2 AINT LDS Source and Logic Variables.....	220
	6.6.1.1.75.3 AINT Value Sets.....	220
555	6.6.1.1.76 MTR.....	220
	6.6.1.1.76.1 MTR Derivation Rule .....	220
	6.6.1.1.76.2 MTR LDS Source and Logic Variables.....	220
	6.6.1.1.76.3 MTR Value Sets.....	221
	6.6.1.1.77 PLAC .....	221
560	6.6.1.1.77.1 PLAC Derivation Rule.....	221
	6.6.1.1.77.2 PLAC LDS Source and Logic Variables .....	221
	6.6.1.1.77.3 PLAC Value Sets .....	221
	6.6.1.1.78 RUT .....	221
	6.6.1.1.78.1 RUT Derivation Rule.....	221
565	6.6.1.1.78.2 RUT LDS Source and Logic Variables .....	222
	6.6.1.1.78.3 RUT Value Sets .....	222
	6.6.1.1.79 UHYS .....	222
	6.6.1.1.79.1 UHYS Derivation Rule.....	222
	6.6.1.1.79.2 UHYS LDS Source and Logic Variables.....	222
570	6.6.1.1.79.3 UHYS Value Sets .....	222

	6.6.1.1.80 UOPR.....	223
	6.6.1.1.80.1 UOPR Derivation Rule .....	223
	6.6.1.1.80.2 UOPR LDS Source and Logic Variables.....	223
	6.6.1.1.80.3 UOPR Value Sets.....	223
575	6.6.1.1.81 NOA05.....	223
	6.6.1.1.81.1 NOA05 Derivation Rule .....	223
	6.6.1.1.81.2 NOA05 LDS Source and Logic Variables.....	223
	6.6.1.1.81.3 NOA05 Value Sets.....	223
	6.6.1.1.82 PRES.....	224
580	6.6.1.1.82.1 PRES Derivation Rule .....	224
	6.6.1.1.82.2 PRES LDS Source and Logic Variables.....	224
	6.6.1.1.82.3 PRES Value Sets.....	224
	6.6.1.1.83 ROUT .....	224
	6.6.1.1.83.1 ROUT Derivation Rule.....	224
585	6.6.1.1.83.2 ROUT LDS Source and Logic Variables.....	224
	6.6.1.1.83.3 ROUT Value Sets .....	225
	6.6.1.1.84 TLAB.....	225
	6.6.1.1.84.1 TLAB Derivation Rule .....	225
	6.6.1.1.84.2 TLAB LDS Source and Logic Variables .....	225
590	6.6.1.1.84.3 TLAB Value Sets.....	226
	6.6.1.1.85 MFNAME.....	226
	6.6.1.1.85.1 MFNAME Derivation Rule .....	226
	6.6.1.1.85.2 MFNAME LDS Source and Logic Variables.....	226
	6.6.1.1.85.3 MFNAME Value Sets.....	226
595	6.6.1.1.86 MMNAME .....	226
	6.6.1.1.86.1 MMNAME Derivation Rule.....	226
	6.6.1.1.86.2 MMNAME LDS Source and Logic Variables.....	226
	6.6.1.1.86.3 MMNAME Value Sets .....	226
	6.6.1.1.87 MLNAME.....	226
600	6.6.1.1.87.1 MLNAME Derivation Rule .....	226
	6.6.1.1.87.2 MLNAME LDS Source and Logic Variables.....	226
	6.6.1.1.87.3 MLNAME Value Sets .....	227
	6.6.1.1.88 MSUFF .....	227
	6.6.1.1.88.1 MSUFF Derivation Rule.....	227
605	6.6.1.1.88.2 MSUFF LDS Source and Logic Variables .....	227
	6.6.1.1.88.3 MSUFF Value Sets .....	227
	6.6.1.1.89 HFT.....	227
	6.6.1.1.89.1 HFT Derivation Rule .....	227
	6.6.1.1.89.2 HFT LDS Source and Logic Variables.....	227
610	6.6.1.1.89.3 HFT Value Sets.....	228
	6.6.1.1.90 HIN .....	228
	6.6.1.1.90.1 HINT Derivation Rule .....	228
	6.6.1.1.90.2 HINT LDS Source and Logic Variables.....	228

	6.6.1.1.90.3 HIN Value Sets .....	229
615	6.6.1.1.91 MRECNUM.....	229
	6.6.1.1.91.1 MRECNUM Derivation Rule .....	229
	6.6.1.1.91.2 MRECNUM LDS Source and Logic Variables .....	229
	6.6.1.1.91.3 MRECNUM Value Sets.....	229
	6.6.1.1.92 PWGT .....	229
620	6.6.1.1.92.1 PWGT Derivation Rule.....	229
	6.6.1.1.92.2 PWGT LDS Source and Logic Variables .....	229
	6.6.1.1.92.3 PWGT Value Sets .....	230
	6.6.1.1.93 NFACL .....	230
	6.6.1.1.93.1 NFACL Derivation Rule.....	230
625	6.6.1.1.93.2 NFACL LDS Source and Logic Variables .....	230
	6.6.1.1.93.3 NFACL Value Sets .....	230
	6.6.1.1.94 TRAN .....	231
	6.6.1.1.94.1 TRAN Derivation Rule .....	231
	6.6.1.1.94.2 TRAN LDS Source and Logic Variables.....	231
630	6.6.1.1.94.3 TRAN Value Sets .....	231
	6.6.1.1.95 DWGT .....	231
	6.6.1.1.95.1 DWGT Derivation Rule.....	231
	6.6.1.1.95.2 DWGT LDS Source and Logic Variables .....	232
	6.6.1.1.95.3 DWGT Value Sets .....	232
635	6.6.1.1.96 POPO .....	232
	6.6.1.1.96.1 POPO Derivation Rule.....	232
	6.6.1.1.96.2 POPO LDS Source and Logic Variables .....	232
	6.6.1.1.96.3 POPO Value Sets .....	233
	6.6.1.1.97 PLBD .....	233
640	6.6.1.1.97.1 PLBD Derivation Rule.....	233
	6.6.1.1.97.2 PLBD LDS Source and Logic Variables .....	233
	6.6.1.1.97.3 PLBD Value Sets .....	233
	6.6.1.1.98 PLBL.....	233
	6.6.1.1.98.1 PLBL Derivation Rule .....	233
645	6.6.1.1.98.2 PLBL LDS Source and Logic Variables.....	234
	6.6.1.1.98.3 PLBL Value Sets.....	234
	6.6.1.1.99 OWGEST.....	234
	6.6.1.1.99.1 OWGEST Derivation Rule .....	234
	6.6.1.1.99.2 OWGEST LDS Source and Logic Variables.....	234
650	6.6.1.1.99.3 OWGEST Value Sets.....	234
	6.6.1.1.100 CERV.....	235
	6.6.1.1.100.1 CERV Derivation Rule .....	235
	6.6.1.1.100.2 CERV LDS Source and Logic Variables.....	235
	6.6.1.1.100.3 CERV Value Sets.....	235
655	6.6.1.1.101 ECVF .....	235
	6.6.1.1.101.1 ECVF Derivation Rule.....	235



	6.6.1.1.101.2 ECVF LDS Source and Logic Variables .....	235
	6.6.1.1.101.3 ECVF Value Sets .....	236
660	6.6.1.1.102 ECVS .....	236
	6.6.1.1.102.1 ECVS Derivation Rule.....	236
	6.6.1.1.102.2 ECVS LDS Source and Logic Variables .....	236
	6.6.1.1.102.3 ECVS Value Sets .....	236
	6.6.1.1.103 TOC .....	236
665	6.6.1.1.103.1 TOC Derivation Rule.....	236
	6.6.1.1.103.2 TOC LDS Source and Logic Variables .....	236
	6.6.1.1.103.3 TOC Value Sets .....	237
	6.6.1.1.104 NOA03.....	237
	6.6.1.1.104.1 NOA03 Derivation Rule .....	237
670	6.6.1.1.104.2 NOA03 LDS Source and Logic Variables.....	237
	6.6.1.1.104.3 NOA03 Value Sets.....	237
	6.6.1.1.105 PROM.....	237
	6.6.1.1.105.1 PROM Derivation Rule.....	237
	6.6.1.1.105.2 PROM LDS Source and Logic Variables .....	237
675	6.6.1.1.105.3 PROM Value Sets .....	238
	6.6.1.1.106 PRIC .....	238
	6.6.1.1.106.1 PRIC Derivation Rule.....	238
	6.6.1.1.106.2 PRIC LDS Source and Logic Variables.....	238
	6.6.1.1.106.3 PRIC Value Sets .....	238
	6.6.1.1.107 PROL .....	239
680	6.6.1.1.107.1 PROL Derivation Rule.....	239
	6.6.1.1.107.2 PROL LDS Source and Logic Variables .....	239
	6.6.1.1.107.3 PROL Value Sets .....	239
	6.6.1.1.108 NOA05.....	239
685	6.6.1.1.108.1 NOA05 Derivation Rule .....	239
	6.6.1.1.108.2 NOA05 LDS Source and Logic Variables.....	239
	6.6.1.1.108.3 NOA05 Value Sets.....	239
	6.6.1.1.109 SFN.....	239
	6.6.1.1.109.1 SFN Derivation Rule.....	239
690	6.6.1.1.109.2 SFN LDS Source and Logic Variables .....	240
	6.6.1.1.109.3 SFN Value Sets .....	240
	6.6.1.1.110 FLOC .....	240
	6.6.1.1.110.1 FLOC Derivation Rule.....	240
	6.6.1.1.110.2 FLOC LDS Source and Logic Variables .....	240
695	6.6.1.1.110.3 FLOC Value Sets .....	240
	6.6.1.1.111 CNAME.....	240
	6.6.1.1.111.1 CNAME Derivation Rule .....	240
	6.6.1.1.111.2 CNAME LDS Source and Logic Variables .....	240
	6.6.1.1.111.3 CNAME Value Sets .....	240
	6.6.1.1.112 CNTYO.....	241

700	6.6.1.1.112.1 CNTYO Derivation Rule .....	241
	6.6.1.1.112.2 CNTYO LDS Source and Logic Variables .....	241
	6.6.1.1.112.3 CNTYO Value Sets .....	241
	6.6.1.1.113 BPLACE .....	241
	6.6.1.1.113.1 BPLACE Derivation Rule .....	241
705	6.6.1.1.113.2 BPLACE LDS Source and Logic Variables .....	241
	6.6.1.1.113.3 BPLACE Value Sets .....	242
	6.6.1.1.114 PLUR .....	242
	6.6.1.1.114.1 PLUR Derivation Rule .....	242
	6.6.1.1.114.2 PLUR LDS Source and Logic Variables .....	242
710	6.6.1.1.114.3 PLUR Value Sets .....	243
	6.6.1.1.115 DOFP_MO .....	243
	6.6.1.1.115.1 DOFP_MO Derivation Rule .....	243
	6.6.1.1.115.2 DOFP_MO LDS Source and Logic Variables .....	243
	6.6.1.1.115.3 DOFP_MO Value Sets .....	243
715	6.6.1.1.116 DOFP_DY .....	244
	6.6.1.1.116.1 DOFP_DY Derivation Rule .....	244
	6.6.1.1.116.2 DOFP_DY LDS Source and Logic Variables .....	244
	6.6.1.1.116.3 DOFP_DY Value Sets .....	244
	6.6.1.1.117 DOFP_YR .....	244
720	6.6.1.1.117.1 DOFP_YR Derivation Rule .....	244
	6.6.1.1.117.2 DOFP_YR LDS Source and Logic Variables .....	244
	6.6.1.1.117.3 DOFP_YR Value Sets .....	245
	6.6.1.1.118 NPREV .....	245
	6.6.1.1.118.1 NPREV Derivation Rule .....	245
725	6.6.1.1.118.2 NPREV LDS Source and Logic Variables .....	245
	6.6.1.1.118.3 NPREV Value Sets .....	245
	6.6.1.1.119 PAY .....	245
	6.6.1.1.119.1 PAY Derivation Rule .....	245
	6.6.1.1.119.2 PAY LDS Source and Logic Variables .....	246
730	6.6.1.1.119.3 PAY Value Sets .....	246
	6.6.1.1.120 PDIAB .....	246
	6.6.1.1.120.1 PDIAB Derivation Rule .....	246
	6.6.1.1.120.2 PDIAB LDS Source and Logic Variables .....	246
	6.6.1.1.120.3 PDIAB Value Sets .....	246
735	6.6.1.1.121 GDIAB .....	246
	6.6.1.1.121.1 GDIAB Derivation Rule .....	246
	6.6.1.1.121.2 GDIAB LDS Source and Logic Variables .....	246
	6.6.1.1.121.3 GDIAB Value Sets .....	247
	6.6.1.1.122 PHYPE .....	247
740	6.6.1.1.122.1 PHYPE Derivation Rule .....	247
	6.6.1.1.122.2 PHYPE LDS Source and Logic Variables .....	247
	6.6.1.1.122.3 PHYPE Value Sets .....	247

	6.6.1.1.123 GHYPE.....	248
	6.6.1.1.123.1 GHYPE Derivation Rule.....	248
745	6.6.1.1.123.2 GHYPE LDS Source and Logic Variables.....	248
	6.6.1.1.123.3 GHYPE Value Sets.....	248
	6.6.1.1.124 EHYPE.....	248
	6.6.1.1.124.1 EHYPE Derivation Rule.....	248
750	6.6.1.1.124.2 EHYPE LDS Source and Logic Variables.....	248
	6.6.1.1.124.3 EHYPE Value Sets.....	249
	6.6.1.1.125 PPB.....	249
	6.6.1.1.125.1 PPB Derivation Rule.....	249
	6.6.1.1.125.2 PPB LDS Source and Logic Variables.....	249
	6.6.1.1.125.3 PPB Value Sets.....	249
755	6.6.1.1.126 INFT.....	250
	6.6.1.1.126.1 INFT Derivation Rule.....	250
	6.6.1.1.126.2 INFT LDS Source and Logic Variables.....	250
	6.6.1.1.126.3 INFT Value Sets.....	250
	6.6.1.1.127 INFT_DRG.....	250
760	6.6.1.1.127.1 INFT_DRG Derivation Rule.....	250
	6.6.1.1.127.2 INFT_DRG LDS Source and Logic Variables.....	250
	6.6.1.1.127.3 INFT_DRG Value Sets.....	251
	6.6.1.1.128 INFT_ART.....	251
	6.6.1.1.128.1 INFT_ART Derivation Rule.....	251
765	6.6.1.1.128.2 INFT_ART LDS Source and Logic Variables.....	251
	6.6.1.1.128.3 INFT_ART Value Sets.....	252
	6.6.1.1.129 PCES.....	252
	6.6.1.1.129.1 PCES Derivation Rule.....	252
	6.6.1.1.129.2 PCES LDS Source and Logic Variables.....	252
770	6.6.1.1.129.3 PCES Value Sets.....	252
	6.6.1.1.130 NPCES.....	252
	6.6.1.1.130.1 NPCES Derivation Rule.....	252
	6.6.1.1.130.2 NPCES LDS Source and Logic Variables.....	252
	6.6.1.1.130.3 NPCES Value Sets.....	253
775	6.6.1.1.131 NOA01.....	253
	6.6.1.1.131.1 NOA01 Derivation Rule.....	253
	6.6.1.1.131.2 NOA01 LDS Source and Logic Variables.....	253
	6.6.1.1.131.3 NOA01 Value Sets.....	253
	6.6.1.1.132 SORD.....	253
780	6.6.1.1.132.1 SORD Derivation Rule.....	253
	6.6.1.1.132.2 SORD LDS Source and Logic Variables.....	253
	6.6.1.1.132.3 SORD Value Sets.....	254
	6.6.1.1.133 FSEX.....	254
	6.6.1.1.133.1 FSEX Derivation Rule.....	254
785	6.6.1.1.133.2 FSEX LDS Source and Logic Variables.....	254

	6.6.1.1.133.3 FSEX Value Sets.....	254
	6.6.1.1.134 FDOD_YR.....	254
	6.6.1.1.134.1 FDOD_YR Derivation Rule .....	254
	6.6.1.1.134.2 FDOD_YR LDS Source and Logic Variables .....	255
790	6.6.1.1.134.3 FDOD_YR Value Sets .....	255
	6.6.1.1.135 FDOD_MO Derivation Rule .....	255
	6.6.1.1.135.1 FDOD_MO LDS Source and Logic Variables .....	255
	6.6.1.1.135.2 FDOD_MO Value Sets .....	256
	6.6.1.1.136 FDOD_DY.....	256
795	6.6.1.1.136.1 FDOD_DY Derivation Rule .....	256
	6.6.1.1.136.2 FDOD_DY LDS Source and Logic Variables.....	256
	6.6.1.1.136.3 FDOD_DY Value Sets.....	256
	6.6.1.1.137 ETIME.....	257
	6.6.1.1.137.1 ETIME Derivation Rule.....	257
800	6.6.1.1.137.2 ETIME LDS Source and Logic Variables .....	257
	6.6.1.1.137.3 ETIME Value Sets .....	257
	6.6.1.1.138 LIVEB.....	257
	6.6.1.1.138.1 LIVEB Derivation Rule .....	257
	6.6.1.1.138.2 LIVEB LDS Source and Logic Variables.....	257
805	6.6.1.1.138.3 LIVEB Value Sets.....	258
	6.6.1.1.139 FDTH.....	258
	6.6.1.1.139.1 FDTH Derivation Rule .....	258
	6.6.1.1.139.2 FDTH LDS Source and Logic Variables .....	258
	6.6.1.1.139.3 FDTH Value Sets .....	259
810	6.6.1.1.140 HYST.....	259
	6.6.1.1.140.1 HYST Derivation Rule .....	259
	6.6.1.1.140.2 HYST LDS Source and Logic Variables .....	259
	6.6.1.1.140.3 HYST Value Sets .....	259
	6.6.1.1.141 TD.....	259
815	6.6.1.1.141.1 TD Derivation Rule.....	259
	6.6.1.1.141.2 TD LDS Source and Logic Variables .....	259
	1.1.1.1.1 6.6.1.1.141.3 TD Value Sets.....	260
	6.6.1.1.142 AUTOP .....	260
	6.6.1.1.142.1 AUTOP Derivation Rule.....	260
820	6.6.1.1.142.2 AUTOP LDS Source and Logic Variables .....	260
	6.6.1.1.142.3 AUTOP Value Sets .....	261
	6.6.1.1.143 FWO .....	261
	6.6.1.1.143.1 FWO Derivation Rule.....	261
	6.6.1.1.143.2 FWO LDS Source and Logic Variables.....	261
825	6.6.1.1.143.3 FWO Value Sets .....	262
	6.6.1.1.144 FWG .....	262
	6.6.1.1.144.1 FWG Derivation Rule.....	262
	6.6.1.1.144.2 FWG LDS Source and Logic Variables.....	262

	6.6.1.1.144.3 FWG Value Sets .....	262
830	6.6.1.1.145 FWP .....	263
	6.6.1.1.145.1 FWP Derivation Rule.....	263
	6.6.1.1.145.2 FWP LDS Source and Logic Variables .....	263
	6.6.1.1.145.3 FWP Value Sets .....	263
	6.6.1.1.146 LM .....	264
835	6.6.1.1.146.1 LM Derivation Rule .....	264
	6.6.1.1.146.2 LM LDS Source and Logic Variables .....	264
	6.6.1.1.146.3 LM Value Sets .....	264
	6.6.1.1.147 GBS.....	264
	6.6.1.1.147.1 GBS Derivation Rule .....	264
840	6.6.1.1.147.2 GBS LDS Source and Logic Variables.....	264
	6.6.1.1.147.3 GBS Value Sets.....	265
	6.6.1.1.148 CMV .....	265
	6.6.1.1.148.1 CMV Derivation Rule.....	265
	6.6.1.1.148.2 CMV LDS Source and Logic Variables .....	265
845	6.6.1.1.148.3 CMV Value Sets .....	266
	6.6.1.1.149 B19.....	266
	6.6.1.1.149.1 B19 Derivation Rule .....	266
	6.6.1.1.149.2 B19 LDS Source and Logic Variables.....	266
	6.6.1.1.149.3 B19 Value Sets.....	266
850	6.6.1.1.150 HISTOP .....	267
	6.6.1.1.150.1 HISTOP Derivation Rule.....	267
	6.6.1.1.150.2 HISTOP LDS Source and Logic Variables .....	267
	6.6.1.1.150.3 HISTOP Value Sets .....	267
	6.6.1.1.151 TOXO .....	267
855	6.6.1.1.151.1 TOXO Derivation Rule.....	267
	6.6.1.1.151.2 TOXO LDS Source and Logic Variables .....	267
	6.6.1.1.151.3 TOXO Value Sets .....	268
	6.6.2 Form Data Element Mappings to Output Content Document.....	269
	6.6.3 Form Data Element Mappings to Output HL7 Message.....	358
860	Appendices.....	392
	Appendix A – BFDR Birth CDA Document Quick Reference .....	392
	A.1 BFDR Birth CDA Document and BFDR Fetal Death CDA Document Template and LOINC Code Quick Reference .....	392
	Appendix B – LDS-VR Document Quick Reference .....	395
865	B.1 LDS-VR Document Template and LOINC Code Quick Reference .....	395
	Volume 3 Namespace Additions .....	400
	Volume 4 – National Extensions .....	402
	<b>4 National Extensions .....</b>	<b>403</b>
	4.I National Extensions for IHE USA.....	403
870	4.I.1 Comment Submission .....	403
	4.I.2 Birth and Fetal Death Reporting – Extended (BFDR-E) .....	403

4.I.2.1 BFDR US Forms Pre-population ..... 403

875 **Introduction to this Supplement**

This supplement is written for Trial Implementation. It is written as an addition to the Trial Implementation version of the Quality, Research and Public Health Technical Framework.

This supplement also references the following documents<sup>1</sup>. The reader should review these documents as needed:

- 880
1. PCC Technical Framework, Volume 1
  2. PCC Technical Framework, Volume 2
  3. PCC Technical Framework Supplement: CDA Content Modules
  4. [IT Infrastructure Technical Framework Volume 1](#)
  5. [IT Infrastructure Technical Framework Volume 2](#)

885

  6. [IT Infrastructure Technical Framework Volume 3](#)
  7. HL7 and other standards documents referenced in Volume 1 and Volume 2
  8. Birth Edit Specifications for the 2003 Revision of the U.S. Standard Certificate of Live Birth (4/2004; 3/2005; Updated 7/2012)
  9. Natality 2003 Revision – File In-Processing Documentation (14 Dec 2010)

890

  10. Fetal Death Edit Specifications for the 2003 Revision of the U.S. Standard Report of Fetal Death Vital Records birth certificates and fetal death reports include important demographic, medical and key information about the antepartum period, the labor and delivery process and the newborn/fetal death<sup>2</sup>. Much of the medical and health information collected for the birth certificate and fetal death report can be pre-populated with information already available in the Electronic Health Record (EHR). A responsible Health Care Provider (HCP) or designated representative must review and complete the information to ensure data quality for vital registration purposes. These data may then be used by public health agencies to track maternal and infant health to target interventions for at risk populations.

895

900

---

<sup>1</sup> The first six documents can be located on the IHE Website at [http://www.ihe.net/Technical\\_Frameworks/](http://www.ihe.net/Technical_Frameworks/). The remaining documents can be obtained from their respective publishers.

<sup>2</sup> In some countries the birth certificate contains just the patient demographics and the medical information is recorded in separate early childhood health certificates produced at different times.

## Open Issues and Questions

### Open Issue List:

Item Count	Issue Description	Status
1	<p>HL7 Issue – OBX is optional in HL7 – we want it required.</p> <ol style="list-style-type: none"> <li>This will be brought through the formalization process in HL7</li> <li>Once HL7 formalizes the OBX R then statements leading in to the section requirements in Volume 2 should be updated to indicate NO FURTHER constraints</li> </ol>	<p>Review during Volume 2 development A DSTU Comment needs to be added against the VRBFDR DSTU 2013OCT</p> <ol style="list-style-type: none"> <li>Fix type-o in ADT^A04 and ADT^A08 OBX to {{OBX}}</li> <li>Fix cardinality to [1..*]</li> <li>All observation types in Table 53 SHALL be recorded</li> </ol> <p>Check with Mead on how to make this further constraint. These constraints will be added to the Volume 2 message for QRPH BFDR Message.</p>
2	LDS specification needs to be updated to allow for Intake and Output to represent coded observations	Review during Volume 3 development – check if this is still relevant. We may not need to address this. May be resolved by using ProblemObservation to gather breastfeeding observation. May be closed.
3	<p>TEMPLATE OPEN ISSUE: The template does not really support the need to specify the mappings for the form receiver message exporter, form receiver CDA exporter, and the Pre-population requirements for the Form Manager. These have been reflected together as sub-sections to 6.3.1.D.4 Data Element Requirement Mappings.</p>	This issue needs to be documented as an IHE TS template issue. Clear guidance doesn't exist within the template on where to add this type of mapping from a specific form to a standard input document or from a specific form to a standard output document.
4	<p>Template Issue: Where should the list of data elements be specified in this new template? In the past, they were included in X.6 Content Module in some profiles. We have tentatively included a new Section X.7 Data Requirements until this issue has been resolved.</p>	Pending addition to template
5	Should there be only one option, the LDS-VR Option' – this had been considered but we want to be able to offer a lower participation threshold where possible – the pre-pop Option may need to be renamed, but it supports the LDS or the LDS-VR document.	Use of LDS will continue to be permitted until more vendors can produce LDS-VR documents.
6	Do we need a new transaction for each new type of outbound message? Is there are more generalized way to do this (like PCD-01)?	This can be considered later by QRPH. For now, BFDR will define a new message.



IHE Quality, Research and Public Health Technical Framework Supplement – Birth and Fetal Death Reporting-Enhanced (BFDR-E)

Item Count	Issue Description	Status
7	The use of Null flavors for unknown is under review by HL7. This is slated for discussion in May HL7. This also impacts the output mapping to CDA documents as we are 'silent' on how to handle the 'N' status of each observation.	This document includes a link to the HL7 DSTU which will include the HL7 resolution on this matter in the published version. No profiling will be done at this time pending the outcome of the HL7 decision.
8	Child breastfed at discharge: may want to align the LDS-VR approach to use the LOINC question/answer observation as done in the BFDR CDA. This is also under consideration for nutrition and healthy weight.	For now, it should be represented differently in secondary use than in the primary clinical setting.
9	Infant living at time of report: approach to use the LOINC question/answer observation as done in the BFDR CDA	Deceased Indicator extension may be populated in the header, or newborn information section to be reviewed with PCC. Not critical as we still need to go deeper into the body of the newborn section to find time of death.
10	Date of Last Other Pregnancy Outcome: Not aligned with LDS-VR model which uses 68500-8 Date last other pregnancy outcome, but this modelling contains two concepts 1) number of other pregnancy outcomes that did not result in a live birth (uses the same code); 2)date that the last pregnancy that did not result in a live birth ended	
11	Date of First Prenatal Care visit: : Not aligned with LDS-VR model - code for whole act indicates "73776-7" No-prenatal care - seems it should be separate observation for first and last prenatal care visit. NOTE: Date of Last Prenatal Care Visit has been removed from data requirements.	
12	PNC – needs to be added from Spec to data dictionary and mapping tables 73776-7 No-prenatal care	
13	73773-4 Number of infants in this delivery born alive is different from LDS-VR mapping and HBS; which uses Births.live consistent with BFDR and HBS	
14	Review of Birth vs FDeath Forms to assess any impact on logic in using numbers as a reference. Some information is needed in one form vs the other, and there may be differences in the information captured on the form for similar concepts.	There are differences in the form numbers between the 2 documents, so any reference to the form numbers needs to be handled separately between birth and fetal death.
15	Failed External cephalic Version – mapping to CDA output is listed as 'Pending' due to underlying HL7 Specification – missing. Profiling deferred pending HL7 resolution of the modelling.	
16	HL7 CDA document is missing specification of UCUM units for some metrics. No profiling added pending HL7 resolution of this issue.	
17	PPO: DEPRECATED. Sample forms do not reflect that this is removed at this time	
18	International considerations for form options currently identified as US Form Option on form manager	

IHE Quality, Research and Public Health Technical Framework Supplement – Birth and Fetal Death Reporting-Enhanced (BFDR-E)

Item Count	Issue Description	Status
19	Apgar5 and Apgar10 need to be updated to reflect new PCC modeling for Apgar once PCC work is completed	Initial CP taken on by Lisa Nelson to clarify that Apgar is to be in Coded Detailed Physical Exam/General . Longer term effort may consider a more global concept for assessments.
20	Handling of these 'Pending' flag indicators from the Edit Specifications needs to be reviewed in the context of the workflow. This status flags may not be pertinent in the proposed profile use cases.	
21	model update under consideration for Autopsy and Hysterectomy/Hysterotomy in answer modelling: use current value set that indicates planned and unplanned or use Boolean with a second question to add a planned indicator which needs a new LOINC code	
22	Vocabulary – Unplanned Operation seems there should be a better code than selected '177217006' Immediate repair of obstetric laceration (procedure)	
23	Need to post sample CDA documents for BFDR-Birth and BFDR-FD	
24	A01, A03 – appear to be missing - not in HL7	Review with HL7 to potentially add these
25	Header value sets: SHALL – may be better in the national extension – Structure and value set conformance discussion needed for international considerations in the longer term	
26	Fertility Enhancing Drugs Medications (NCHS) expected to be on the medications list– this is not the best place to document this as the drug would have been discontinued long before the delivery and may not be in the record.	Further discussion needed with clinical, vocabulary, EMR, and profiling stakeholders to review modeling and approach to capturing this more accurately in the EMR for use in LDS. Perhaps a new event code (e.g., LOINC code – where would this be found or SNOMED for problem finding)
27	Fever Greater Than 100.4 (NCHS) value set - This is not likely to be present on a problem list and instead will be represented in discrete data if the temperature was taken	Verify with DVS and clinical team that this is clinically equivalent to the Chorioamnionitis so that they can use instead
28	Unplanned Operation – There are several references in the documentation to Unplanned Operation, Unplanned Hysterectomy and Scheduled C Section. These time-related measurements need to be precise or we will not be able to send them. How do we determine that the operation is unplanned	Further discussion needed with clinical, vocabulary, EMR, and profiling stakeholders to review modeling and approach to capturing this more accurately in the EMR for use in LDS.

IHE Quality, Research and Public Health Technical Framework Supplement – Birth and Fetal Death Reporting-Enhanced (BFDR-E)

Item Count	Issue Description	Status
29	Schedule-CSection: More common measurements today would involve a Cesarean or an Emergent Cesarean instead of a Scheduled Cesarean. Clinician review needed for use of 'Elective' Cesarean codes in the value sets.	Further discussion needed with clinical, vocabulary, EMR, and profiling stakeholders to review modeling and approach to capturing this more accurately in the EMR for use in LDS.  Consider renaming to Elective CSection to avoid confusion.
30	Timing and capture of chromosomal/congenital conditions is not necessarily conducive to clinical workflow (e.g., suspected is not usually documented in the record). Review of systems is probably correct, but missing symptoms or other observations that would specifically put this into a status of 'suspected'	Further discussion needed with clinical, vocabulary, EMR, and profiling stakeholders to review modeling and approach to capturing this more accurately in the EMR for use in LDS.
31	Direct submission from EMR considerations: Some jurisdictions may require human sign-off before submitting a message	
32	The finalized and published HL7 CDA DSTU documents are expected to be available to HL7 members early June 2014, and to non-members by early September 2014.	
33	The number of fetal deaths in the delivery (FDTH) is not currently mapped to the HL7 CDA Fetal Death Document. There is currently no attribute in the CDA given that there is no request for this information on the forms used as a basis for this work.	Further review is under way with NCHS and HL7. Until this is completed, the mapping will remain listed as PENDING.
34	Admission Source – need to consider use of the Transfer entry rather than the header information where it is now mapped. Consideration for the appropriate section to use to hold this entry is needed.	
35	May consider requesting specific SNOMED Codes to address External Cephalic Version successful/failed. If we have new SNOMED Codes, it will involve updates to the derivation rules and mapping for the Form manager and LDS-VR specifications for representing this information.	
36	Review in progress to use SNOMED vocabularies for International Applicability to replace current value set content for international codes (SNOMED). Updates should be to the value set rather than changes to the name/OID.	
37	No SNOMED codes are available to Hospital admission transfer from other facility rather than the UB04 codeset. May consider new code requests.	

## Closed Issues

905 Closed Issue List:

Item	Issue Description	Status
------	-------------------	--------

IHE Quality, Research and Public Health Technical Framework Supplement – Birth and Fetal Death Reporting-Enhanced (BFDR-E)

Item	Issue Description	Status
1	Name of value sets implying domain 'BFDR' will be updated to generic naming. These references will be updated once the renaming is completed and published in PHIN-VADS.	Closed
2	PCC CP to LDS - Coded Vital Signs section needs to be pulled out to a separate section for Mother and Newborn	Closed
3	Do we continue to offer grouping guidance?	No required grouping
4	If MU requires Race/Ethnicity then we may require this. Resolved: The CMS Meaningful Use Objectives support recording race and ethnicity information in the EHR as stated in: §170.304 (c) Record demographics updated 8/13/2010 <a href="http://healthcare.nist.gov/docs/170.304.c_RecordDemographicsAmb_v1.0.pdf">http://healthcare.nist.gov/docs/170.304.c_RecordDemographicsAmb_v1.0.pdf</a> Also Requires use of OMB Race & Ethnicity Codes available at: <a href="http://www.whitehouse.gov/omb/inforeg_statpolicy/#dr">http://www.whitehouse.gov/omb/inforeg_statpolicy/#dr</a> .	We will modify the description to indicate that race and ethnicity information will be reported by the funeral director or next of kin as the primary source of information. However, the EHR may also serve as a resource for documenting race and ethnicity information. - modifying from pre-populated to direct data entry. Added note: Pre-populateData Entry Required. Included NOTE: data elements would be reported by the funeral director or next of kin, and the EHR would not be the primary source. However, the EHR may also serve as a resource for documenting race and ethnicity information to inform the content of this attribute.
5	We will need to review whether both XPHR and MS are both appropriate for this profile or whether we need to limit to MS to capture the required attributes for the U.S. death certificate. Also the HL7 Continuity of Care Document (CCD).	Considerations deferred. Continue with LDS. Pre-population using currently CCDA will remain out of scope pending IHE harmonization efforts. CCDA Refactoring impact on XPHR, MS, CCD references.
6	We will need to review whether both XPHR and MS are both appropriate for this profile or whether we need to limit to MS to capture the required attributes for the U.S. death certificate. Also the HL7 Continuity of Care Document (CCD).	Considerations deferred. Continue with LDS. Pre-population using currently CCDA will remain out of scope pending IHE harmonization efforts. CCDA Refactoring impact on XPHR, MS, CCD references.
7	The 'Save Form For Continued Editing' Option on the Form Manager has no specific strategies identified.	George Cole confirmed this is intended and supported functionality for RFD.

IHE Quality, Research and Public Health Technical Framework Supplement – Birth and Fetal Death Reporting-Enhanced (BFDR-E)

---

Item	Issue Description	Status
8	Review representation of RFD pre-pop options with 2 CDA pre-pop documents (LDS and LDHP) and content constrained by this profile	Can be done, but committee selected to update LDS-VR rather than use 2 pre-pop documents basted on implementer feedback

## General Introduction

*Update the following appendices to the General Introduction as indicated below. Note that these are not appendices to Volume 1.*

### 910 Appendix A – Actor Summary Definitions

*Add the following actors to the IHE Technical Frameworks General Introduction list of actors:*

Actor	Definition
Information Source	The Information Source Actor is responsible for creating and transmitting an HL7 V2.5.1 message to an Information Recipient. This actor was initially defined in the QRPH VRDR Technical Supplement.
Information Recipient	The Information Recipient Actor is responsible for receiving the HL7 V2.5.1 message from an Information Source or from a Form Receiver Message Exporter. This actor was initially defined in the QRPH VRDR Technical Supplement.
Form Receiver CDA Exporter	This Form Receiver CDA Exporter receives data submitted through the Submit Form Transaction (ITI-35), transforms that data to create a CDA document, and shares that newly created CDA document with a Content Consumer. This actor was initially defined in the QRPH VRDR Technical Supplement.
Form Receiver Message Exporter	This Form Receiver Message Exporter receives data submitted through the Submit Form Transaction (ITI-35), transforms that data to an HL7 message and sends that message to an Information Recipient. This actor was initially defined in the QRPH VRDR Technical Supplement.

### Appendix B – Transaction Summary Definitions

915

*Add the following transactions to the IHE Technical Frameworks General Introduction list of Transactions:*

Transaction	Definition
BFDRFeed [QRPH-37]	This transaction transmits the HL7 V2.5.1 formatted message containing the Birth and Fetal Death Reporting information

## Glossary

*Add the following glossary terms to the IHE Technical Frameworks General Introduction Glossary:*

920

IHE Quality, Research and Public Health Technical Framework Supplement – Birth and Fetal Death Reporting-Enhanced (BFDR-E)

Glossary Term	Definition
Apgar score	Apgar score is a systematic measure for evaluating the physical condition of the infant at specific intervals following birth. It is a score that assesses the general physical condition of a newborn or infant by assigning a value of 0, 1, or 2 to each of five criteria: heart rate, respiratory effort, muscle tone, skin color, and response to stimuli. The five scores are added together, with a perfect score being 10. Apgar scores are usually evaluated at one minute and five minutes after birth. If the 5 minute Apgar score is < 6 then additional Apgar scores at 10 minutes are required.
Antibiotic	Antibiotic is a chemotherapeutic agent that inhibits or abolishes the growth of micro-organisms, such as bacteria, fungi, or protozoans.
Anorexia	Anorexia nervosa is a psychiatric illness that describes an eating disorder characterized by extremely low body weight and body image distortion with an obsessive fear of gaining weight.
Asthma	Asthma is a chronic (long-lasting) inflammatory disease of the airways. In those susceptible to asthma, this inflammation causes the airways to narrow periodically; this, in turn, produces wheezing and breathlessness, sometimes to the point where the patient gasps for air.
Breech presentation	Breech presentation is a presentation of the fetal buttocks or feet in labor; the feet may be alongside the buttocks (complete breech presentation); the legs may be extended against the trunk and the feet lying against the face (frank breech presentation); or one or both feet or knees may be prolapsed into the maternal vagina (incomplete breech presentation).
Cesarean section	Cesarean section, or C-section, is an extraction of the fetus, placenta, and membranes through an incision in the maternal abdominal and uterine walls.
Cephalic presentation	Cephalic presentation is the presentation of part of the fetus, listed as vertex, occiput anterior (OA), occiput posterior (OP).
Cerebral palsy	Cerebral palsy describes a group of permanent disorders of the development of movement and posture, causing activity limitation, that are attributed to nonprogressive disturbances that occurred in the developing fetal or infant brain. The motor disorders of cerebral palsy are often accompanied by disturbances of sensation, perception, cognition, communication, and behavior, by epilepsy, and by secondary musculoskeletal problems.
Chromosome abnormalities	Chromosome abnormalities consist of any change occurring in the structure or number of any of the chromosomes of a given species. In humans, a number of physical disabilities and disorders are directly associated with aberrations of both the autosomes and the sex chromosomes, including Down, Turner's, and Klinefelter's syndromes.
Cleft lip	Cleft lip with or without cleft palate is the incomplete closure of the lip. It may be unilateral, bilateral, or median.
Cleft palate	Cleft palate is an incomplete fusion of the palatal shelves. It may be limited to the soft palate, or may extend into the hard palate.
Congenital heart defect	Congenital heart defect (CHD) is a defect in the structure of the heart and great vessels of a newborn. Obstruction defects. CHD can be classified as: Obstruction defects occur when heart valves, arteries, or veins are abnormally narrow or blocked. Septal defects, for defects concerning the separation between left heart and right heart Cyanotic defects, including persistent truncus arteriosus, total anomalous pulmonary venous connection, tetralogy of Fallot, transposition of the great vessels, and tricuspid atresia.

IHE Quality, Research and Public Health Technical Framework Supplement – Birth and Fetal Death Reporting-Enhanced (BFDR-E)

Glossary Term	Definition
Congenital hip dysplasia	Congenital hip dysplasia is a hip joint malformation present at birth, thought to have a genetic component Clinical Hip dislocation, asymmetry of legs and fat folds; congenital hip dislocation may be asymptomatic and must be diagnosed by physical examination.
Cystic fibrosis	Cystic fibrosis (CF) is an inherited disease that affects the lungs, digestive system, sweat glands, and male fertility. Its name derives from the fibrous scar tissue that develops in the pancreas, one of the principal organs affected by the disease.
Down syndrome	Down syndrome or trisomy 21 is a genetic disorder caused by the presence of all or part of an extra 21st chromosome.
Eczema	Eczema is an acute or chronic noncontagious inflammation of the skin, characterized chiefly by redness, itching, and the outbreak of lesions that may discharge serous matter and become encrusted and scaly.
Endocrine disorder	Endocrine system is an integrated system of small organs which involve the release of extracellular signaling molecules known as hormones. Hypofunction of endocrine glands can occur as result of loss of reserve, hyposecretion, agenesis, atrophy or active destruction. Hyperfunction can occur as result of hypersecretion, loss of suppression, hyperplastic or neoplastic change, or hyperstimulation.
Epidural anesthesia	Epidural anesthesia is a regional anesthetic that is administered to the mother to control the pain of labor. It includes delivery of the agent into a limited space with the distribution of the analgesic effect limited to the lower body.
Esophageal atresia	Congenital esophageal atresia (EA) represents a failure of the esophagus to develop as a continuous passage. Instead, it ends as a blind pouch.
Food allergies	Food allergies are the body's abnormal responses to harmless foods; the reactions are caused by the immune system's reaction to some food proteins.
Gastroesophageal reflux	Gastroesophageal reflux is the reflux of the stomach and duodenal contents into the esophagus.
Gastroschisis	Gastroschisis is an abnormality of the anterior abdominal wall, lateral to the umbilicus, resulting in herniation of the abdominal contents directly into the amniotic cavity. It is differentiated from omphalocele by the location of the defect and the absence of a protective membrane.
General anesthesia	General anesthesia is the induction of a state of unconsciousness with the absence of pain sensation over the entire body, through the administration of anesthetic drugs. It is used during certain medical and surgical procedures.
Genitourinary tract	Genitourinary tract is the organ system of all the reproductive organs and the urinary system. These are often considered together due to their common embryological origin.
Gestational age (weeks of amenorrhea)	One measure of gestational age is the number of completed weeks elapsed between the first day of the last normal menstrual period and the date of delivery. Gestational age can also be measured based on ultrasound early in pregnancy.
Gestational diabetes	Gestational diabetes – glucose intolerance requiring treatment - is a condition that occurs during pregnancy. Like other forms of diabetes, gestational diabetes involves a defect in the way the body processes and uses sugars (glucose) in the diet.
Heart malformation	Heart malformation or congenital heart defect (CHD) is a defect in the structure of the heart and great vessels of a newborn. Most heart defects either obstruct blood flow in the heart or vessels near it or cause blood to flow through the heart in an abnormal pattern, although other defects affecting heart rhythm can also occur.



IHE Quality, Research and Public Health Technical Framework Supplement – Birth and Fetal Death Reporting-Enhanced (BFDR-E)

Glossary Term	Definition
Hemoglobin disease	Hemoglobin is produced by genes that control the expression of the hemoglobin protein. Defects in these genes can produce abnormal hemoglobins and anemia, which are conditions termed "hemoglobinopathies". Abnormal hemoglobins appear in one of three basic circumstances: Structural defects in the hemoglobin molecule. Diminished production of one of the two subunits of the hemoglobin molecule. Abnormal associations of otherwise normal subunits.
Hydrocephalus	Hydrocephalus is the abnormal accumulation of cerebrospinal fluid (CSF) in the ventricles, or cavities, of the brain. This may cause increased intracranial pressure inside the skull and progressive enlargement of the head, convulsion, and mental disability.
Immunoglobulin	Immunoglobulin is a concentrated preparation of gamma globulins, predominantly IgG, from a large pool of human donors; used for passive immunization against measles, hepatitis A, and varicella and for replacement therapy in patients with immunoglobulin deficiencies.
Induction of labor	Induction of labor is the initiation of uterine contractions by medical and/or surgical means for the purpose of delivery before the spontaneous onset of labor (i.e., before labor has begun).
In-utero transfer	An in-utero transfer consists in transferring, while the fetus is still in-utero, of the high-risks pregnant mother to another specialized birthing facility. Conversely, post-natal transfers are transfers that occur after the delivery.
Intra-uterine growth retardation (IUGR)	Intrauterine growth retardation (IUGR) occurs when the unborn baby is at or below the 10th weight percentile for his or her age (in weeks).
Intubation	Tracheal intubation is the placement of a flexible plastic tube into the trachea to protect the patient's airway and provide a means of mechanical ventilation.
Meningomyelocele	Meningomyelocele is a herniation of the meninges and spinal cord tissue.
Neural tube defects	Neural tube defect will occur in human embryos if there is an interference with the closure of the neural tube.
Nuchal translucency scan	Nuchal translucency scan is an ultrasonographic prenatal screening scan to help identify higher risks of Down syndrome in a fetus. The scan is carried out at 11-13 weeks pregnancy and assesses the amount of fluid behind the neck of the fetus. Fetuses at risk of Down tend to have a higher amount of fluid around the neck.
Omphalocele	Omphalocele is a defect in the anterior abdominal wall, accompanied by herniation of some abdominal organs through a widened umbilical ring into the umbilical stalk
Pre-eclampsia	Pre-eclampsia is a disorder occurring during late pregnancy or immediately following parturition, characterized by hypertension, edema, and proteinuria. Also called toxemia of pregnancy.
Preterm birth	Preterm birth is a live birth of less than 37 completed weeks of gestation.
Premature labor	Premature labor describes the contractions of the uterus less than 37 weeks in a pregnancy.
Presentation	Presentation is the part of the fetus lying over the pelvic inlet; the presenting body part of the fetus.
Polymalformative syndrome	Polymalformative syndrome is set of non-random birth defects deriving from the same cause. It involves multiple systems of the organism (eyes, ears, central nervous system, heart, musculoskeletal...). Its screening, mostly by clinical examination means, is systematically made at birth.

IHE Quality, Research and Public Health Technical Framework Supplement – Birth and Fetal Death Reporting-Enhanced (BFDR-E)

---

<b>Glossary Term</b>	<b>Definition</b>
Spina bifida	Spina bifida is a herniation of the meninges and/or spinal cord tissue through a bony defect of spine closure.
Spinal anesthesia	Spinal anesthesia or sub-arachnoidal block is a form of regional anesthesia involving the injection of local anesthetic into the cerebrospinal fluid.
Fetal death	Fetal death is a death prior to the complete expulsion or extraction from its mother of a product of human conception, irrespective of the duration of pregnancy and which is not an induced termination of pregnancy. The death is indicated by the fact that after such expulsion or extraction, the fetus does not breathe or show any other evidence of life, such as beating of the heart, pulsation of the umbilical cord, or definite movement of the voluntary muscles. Heartbeats are to be distinguished from fleeting respiratory efforts or gasps.
Metabolism disorder	Metabolism disorders are disorders that affect chemical processes that take place in living organisms, resulting in growth, generation of energy, elimination of wastes, and other body functions as they relate to the distribution of nutrients in the blood after digestion.
Ultrasound	Ultrasound study is a radiologic study using sound waves used in the assessment of gestational age, size, growth, anatomy, and blood flow of a fetus or in the assessment of maternal anatomy and blood flow.
Vaginal birth/spontaneous	Vaginal birth/spontaneous birth is the delivery of the entire fetus through the vagina by the natural force of labor with or without manual assistance from the delivery attendant.
Vertex Presentation	Vertex presentation is the presentation of the upper or back part of the infant's head

## Volume 1 – Profiles

925 **Copyright Licenses**

Not applicable

**Domain-specific additions**

Not applicable

930 *Add Section X*

## **X Birth and Fetal Death Reporting-Enhanced (BFDR-E) Profile**

The Birth and Fetal Death Reporting-Enhanced (BFDR-E) Profile provides a means to capture and communicate information needed to report births and fetal deaths for vital registration purposes. BFDR-E builds upon the earlier Birth and Fetal Death Reporting (BFDR) Profile that utilizes actors and transactions defined in the ITI Retrieve Form for Data Capture (RFD) Profile to capture structured data using digital forms.

935 BFDR-E defines a specialized Labor and Delivery Summary (LDS-VR) CDA document. The LDS-VR document is used to prepopulate an electronic form (worksheet) that collects the information needed for submission to vital records. BFDR-E supports pre-population of the worksheet form using either the specialized LDS-VR document or a more general Labor and Delivery Summary (LDS) document that does not conform to all the further constraints of an LDS-VR document. Use of the LDS-VR Pre-population Option optimizes the initial Birth and Fetal Death Report form data population.

945 BFDR-E further defines a mechanism to transform form submission data and record it in a CDA document designed to exchange the information in a standard format. BFDR-E defines a Form Receiver CDA Exporter Actor to perform the transform on the form submission data and share that document with a Content Consumer. BFDR-E defines the IHE BFDR Document Template which adapts the HL7 BFDR CDA document template to support standard interchange of the information gathered from the form.

950 BFDR-E also defines a mechanism to transform form submission data and transmit it as a standard HL7 v2 message. The IHE BFDR Message adapts the HL7 V2.5.1 BFDR Message for this purpose. BFDR-E defines the BFDRfeed transaction to transmit this message. The BFDRfeed transaction is just like the VRDRfeed [QRPH-38] transaction defined in the QRPH Vital Records Profile, but is carries a different message payload.

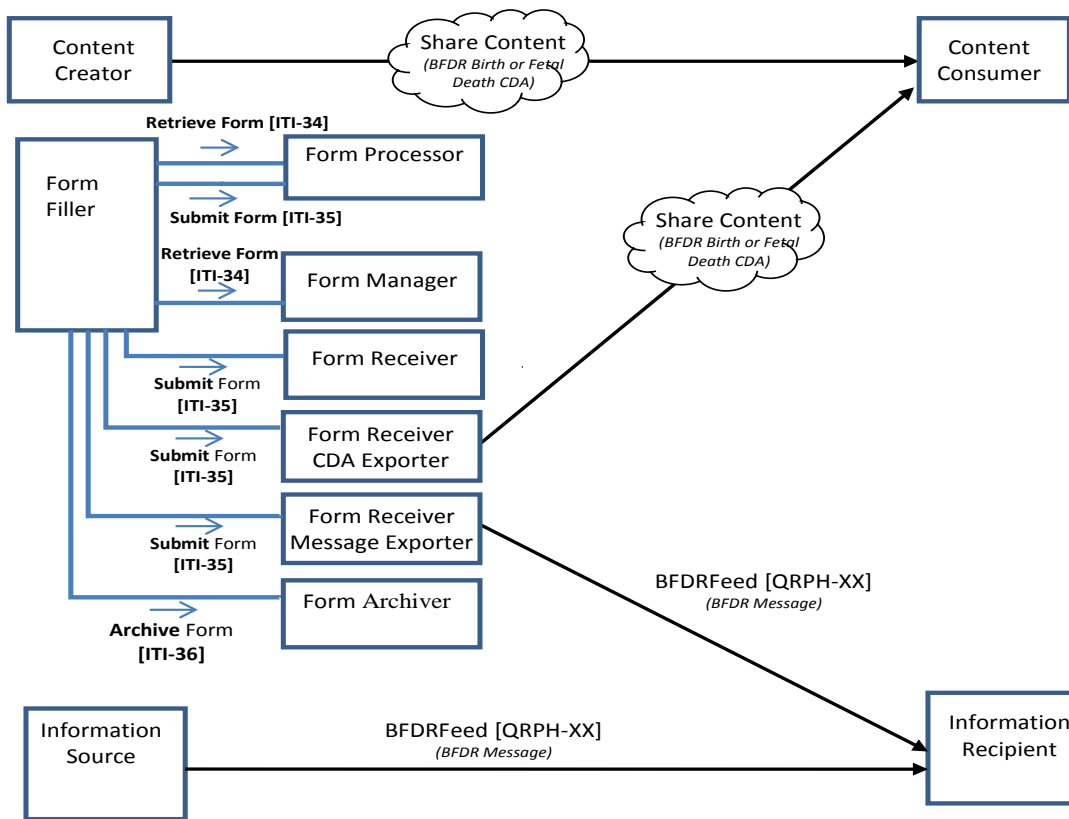
### **X.1 Actors, Transactions, and Content Modules**

This section defines the actors, transactions, and/or content modules in this profile. General definitions of actors are given in the Technical Frameworks General Introduction Appendix A at [http://www.ihe.net/Technical\\_Frameworks](http://www.ihe.net/Technical_Frameworks).

960 The BFDR-E Profile defines three ways to exchange data required for birth and fetal death reporting in an electronic form. First, creation of a BFDR Birth CDA Document Content and a BFDR Fetal Death CDA Document is supported. Second, communication of the BFDR content in an HL7 message is supported. Third, a form-based data collection method is supported using RFD transactions and pre-population mechanisms to supplement human data entry. A specialized LDS-VR document is specified to maximize the number of data elements that can be prepopulated in the form so as to minimize the amount of human data entry required. The form data may be used directly by a birth reporting system, or there may be further processing of the

form data to produce standard birth and fetal death content in the BFDR Birth CDA Document, the BFDR Fetal Death CDA Document, or the BFDR message format.

970 Figure X.1-1 shows the actors directly involved in the BFDR-E Profile and the relevant transactions between them.



975

**Figure X.1-1: BFDR-E Actor Diagram**

**Table X.1-1: BFDR Profile - Actors and Transactions**

Actors (see Note 1 and Note 2)	Transactions	Optionality	Section in Vol. 2
Form Filler	Retrieve Form [ITI-34]	R	ITI TF-2b: 3.34
	Submit Form [ITI-35]	R	ITI TF-2b: 3.35
	Archive Form [ITI-36]	O	ITI TF-2b: 3.36
Form Manager	Retrieve Form [ITI-34]	R	ITI TF-2b: 3.34
Form Processor	Retrieve Form [ITI-34]	R	ITI TF-2b: 3.34

Actors (see Note 1 and Note 2)	Transactions	Optionality	Section in Vol. 2
	Submit Form [ITI-35]	R	ITI TF-2b: 3.35
Form Receiver	Submit Form [ITI-35]	R	ITI TF-2b: 3.35
Form Receiver CDA Exporter	Submit Form [ITI-35]	R	ITI TF-2b: 3.35
Form Receiver Message Exporter	Submit Form [ITI-35]	R	ITI TF-2b: 3.35
	BFDR Feed [QRPH-37]	R	QRPH TF 2: 3.xx
Form Archiver	Archive Form [ITI-36]	R	ITI TF-2b: 3.36
Information Source	BFDRFeed [QRPH-37]	R	QRPH TF 2: 3.xx
Information Recipient	BFDRFeed [QRPH-37]	R	QRPH TF 2: 3.xx
Content Creator	NA	O	NA
Content Consumer	NA	O	NA

980 Note 1: Systems initiating communications of Birth and Fetal Death Reporting information SHALL implement either Content Creator (QRPH BFDR Document) or Information Source (QRPH BFDR Message), or Form Filler (with LDS or LDS-VR Option)

985 Note 2: Systems receiving/consuming communications of Birth and Fetal Death Reporting information SHALL implement either Content Consumer (QRPH BFDR Document), Information Recipient (QRPH BFDR Message), or one of the four Form Receiver Actors (Form Receiver, Form Receiver CDA Exporter, Form Receiver Message Exporter, or Form Processor).

## X.1.1 Actor Descriptions and Actor Profile Requirements

### X.1.1.1 Content Creator

990 The Content Creator SHALL be able to create both a valid CDA document which conforms to the IHE BFDR Birth Document template and a valid CDA document which conforms to the IHE BFDR Fetal Death Document template. These BFDR documents are defined in section QRPH 3:6.3.1.D1.5 (IHE BFDR Birth Document) for live births and in section QRPH 3:6.3.1.D2.5 (IHE BFDR Fetal Death Document) for fetal deaths.

The Content Creator SHALL conform to all requirements specified for the Content Creator Actor in the QRPH IHE Birth and Fetal Death Reporting (IHE BFDR) Integration Profile.

### 995 X.1.1.2 Content Consumer

The Content Consumer SHALL consume both a valid CDA document which conforms to the IHE BFDR Birth Document template and a valid CDA document which conforms to the IHE BFDR Fetal Death Document template.

1000 The Content Consumer SHALL implement the Discrete Data Import Option when consuming a QRPH IHE BFDR Birth Document or IHE BFDR Fetal Death Document.

### **X.1.1.3 Form Filler**

The Form Filler Actor SHALL support requirements defined for the Form Filler in the ITI RFD Profile with the following qualifications:

1005 The Form Filler SHALL support XHTML and SHALL NOT support the XFORMS Option of the Retrieve Form [ITI-34] transaction.

The Form Filler SHALL include functionality to initiate a Retrieve Form (ITI-34) transaction when a certifier is ready to enter birth or fetal death information for the purpose of completing the vital records information.

1010 The Form Filler SHALL support one of two possible pre-population options: The LDS Pre-pop Option or the LDS-VR Pre-pop Option.

- A Form Filler implementing the Pre-Pop Option SHALL supply a valid LDS Documents (1.3.6.1.4.1.19376.1.5.3.1.1.21.1.2 ) as the pre-pop document for the Retrieve Form (ITI-34) transaction.
- A Form Filler implementing the LDS-VR Pre-pop Option SHALL supply a valid LDS-VR Document (1.3.6.1.4.1.19376.1.7.3.1.1.19.1.1) as the pre-pop document for the Retrieve Form (ITI-34) transaction.

1015 The Form Filler SHALL encode the prepopData parameter of the Retrieve Form [ITI-34] transaction using the XML content of the pre-pop document.

1020 The Form Filler MAY support the Archive Form Option to support recording of the form submission data at an alternate actor identified by the Form Filler.

In order to support the need to save a form for editing at a later time, the Form Filler SHALL be able to request a form for the same patient multiple times. (Further guidance on the workflow requirements to support this capability is outside the scope of this profile.)

### **X.1.1.4 Form Manager**

1025 The Form Manager SHALL support all the requirements defined for the Form Manager in the ITI RFD Profile with the following qualifications:

The Form Manger SHALL support XHTML and SHALL NOT support XFORMS of the Retrieve Form [ITI-34] transaction.

1030 The system fulfilling the Form Manager Actor in the BFDR-E Profile SHALL accept pre-pop data in the form of content defined by the IHE PCC LDS document template (Template id 1.3.6.1.4.1.19376.1.5.3.1.1.21.1.2) or the IHE QRPH LDS-VR document template (Template id 1.3.6.1.4.1.19376.1.7.3.1.1.19.1.1), and return a form that has been appropriately pre-populated based on the pre-population rules specified in 6.3.1.D3.4 Data Element Requirement Mappings for Form Pre-Population.

1035 If a form is requested for the same patient then the form manager shall supply the previously populated and saved form.

#### **X.1.1.5 Form Receiver**

The Form Receiver is defined in the ITI RFD Profile.

1040 The Form Receiver SHALL receive the populated form from the Form Filler when the form is submitted. No further requirements are placed on the Form Receiver within the scope of this profile.

#### **X.1.1.6 Form Processor**

The Form Processor is defined in the ITI RFD Profile.

1045 The Form Processor SHALL support XHTML and SHALL NOT support XFORMS of the Retrieve Form transaction.

1050 The system fulfilling this role in the BFDR Profile SHALL accept pre-pop data in the form of content defined by the IHE PCC LDS Profile (1.3.6.1.4.1.19376.1.5.3.1.1.21.1.2) or the IHE QRPH (LDS-VR) (1.3.6.1.4.1.19376.1.7.3.1.1.19.1.1) and return a form that has been appropriately pre-populated based on the mapping rules specified in 6.3.1.D2.4 Data Element Requirement Mappings for Form Pre-Population.

If the same request is submitted for the same patient then the form shall supply the partially filled and saved form.

1055 The Form Processor SHALL receive the populated form from the Form Filler when the form is submitted. No further requirements are placed on the Form Processor within the scope of this profile.

#### **X.1.1.7 Form Receiver CDA Exporter**

1060 The Form Receiver CDA Exporter receives data submitted through the Submit Form Transaction (ITI-35), transforms that data to create a CDA document, and shares that newly created CDA document with a Content Consumer. For BFDR, this transforms that data to create the BFDR Birth CDA Document Content (1.3.6.1.4.1.19376.1.7.3.1.1.19.2) defined in QRPH 3:6.3.1.D1 or the BFDR Fetal Death CDA Document Content (1.3.6.1.4.1.19376.1.7.3.1.1.19.3) defined in QRPH 3:6.3.1.D2, and shares that newly created BFDR content document with a Content Consumer. Detailed rules for the BFDR Birth CDA Document Content are fully defined in QRPH 3:6.3.1.D1. Detailed rules for the BFDR Fetal Death CDA Document Content are fully defined in QRPH 3:6.3.1.D2. Specification of the transformation rules from the US BFDR Form to the CDA content is defined in the BFDR-E Profile, volume 4 US Realm, Section 6.6.2 Form Data Element Mappings to Output Content Document.

#### **X.1.1.8 Form Receiver Message Exporter**

1070 The Form Receiver Message Exporter receives data submitted through the Submit Form Transaction (ITI-35), transforms that data to an HL7 message and sends that message to an Information Recipient. For BFDR, this transforms that data to be in compliance with the requirements of the HL7 V.2.5.1 BFDRFeed transaction (QRPH-37) and sends that data to an



1075 Information Recipient using QRPH-37. Detailed rules for the BFDRFeed transaction are fully defined in QRPH 2:3.XX.4.1 BFDRFeed [QRPH-37]. Transformation rules from the form to the message content are fully specified in BFDR-E Profile Volume 4 US Realm, Section 6.6.3 Form Data Element Mappings to Output HL7 Message .

### X.1.1.9 Form Archiver

The actions of the Form Archiver are defined in the ITI RFD Profile.

1080 The Form Archiver MAY be leveraged to support traceability of the form data used to create submitted documents. No further refinements of that document are stated by this profile.

### X.1.1.10 Information Source

1085 The Information Source Actor is responsible for the creation of a BFDRFeed Message (QRPH-37) containing the Birth and Fetal Death Reporting attributes and transmitting this message to an Information Recipient. The Information Source SHALL transmit content as specified by in QRPH BFDR-E Volume 2.

### X.1.1.11 Information Recipient

The Information Recipient Actor is responsible for receiving the BFDRFeed Message (QRPH-37) containing the Birth and Fetal Death Reporting attributes from the Information Source.

## X.2 Actor Options

1090

**Table X.2-1: BFDR-E - Actors and Options**

Actor	Option Name	Reference
Content Creator	None	--
Content Consumer	View	PCC TF V1:3.4.1.1
	Document Import	PCC TF V1:3.4.1.2
	Discrete Data Import	PCC TF V1:3.4.1.4
Form Filler	Pre-Pop	QRPH: X.2.1
	VR Pre-Pop	QRPH: X.2.2
	Archive Form	QRPH: X.2.3
Form Manager	Form Pre-pop Option	QRPH TF-1: X.2.4
Form Processor	Form Pre-pop Option	QRPH TF-1: X.2.5
Form Receiver	None	--
Form Receiver CDA Exporter	None	--
Form Receiver Message Exporter	None	--
Form Archiver	None	--

Actor	Option Name	Reference
Information Source	None	--
Information Recipient	None	--

### X.2.1 Form Filler: Pre-Pop Option

1095 This option defines the document submission requirements placed on Form Fillers for providing pre-pop data to the Form Manager. The Form Filler’s support for the Pre-Pop Option determines how pre-population data is handled when the Form Filler retrieves the form using ITI-34:

- If the Form Filler supports the Pre-Pop Option, the value of the pre-pop Data parameter in the Retrieve Form Request (see RFD Profile, ITI TF 2b:3.34.4.1.2) shall be a well-formed xml document as defined in the PCC Labor and Delivery Summary (LDS) Content Profile (1.3.6.1.4.1.19376.1.5.3.1.1.21.1.2, see Labor and Delivery Profiles Trial Implementation Supplement, Section Y.7). See QRPH 1: Appendix X for the specification of the desired pre-pop data.

### X.2.2 Form Filler: VR Pre-Pop Option

1105 This option defines the document submission requirements placed on Form Fillers for providing pre-pop data to the Form Manager, describing specific content and vocabulary constraints to the PCC LDS that will optimize the ability to process the clinical content to fill in the BFDR Form. The Form Filler’s support for the VR Pre-Pop Option determines how pre-population data is handled when the Form Filler retrieves the form using ITI-34.

1110 If the Form Filler supports the VR Pre-Pop Option, the value of the pre-pop Data parameter in the Retrieve Form Request (see RFD Profile, ITI TF 2b:3.34.4.1.2) shall be a well-formed xml document as defined in the PCC Labor and Delivery Summary (LDS) Content Profile (see Labor and Delivery Profiles Trial Implementation Supplement, Section Y.7) as constrained by QRPH 3: 6.3.1.A for the specification of the LDS content required as and LDS-VR Document (1.3.6.1.4.1.19376.1.7.3.1.1.19.1.1).

### X.2.3 Form Filler: Archive Form Option

1115 If the Form Filler supports the Archive Form Option, it shall implement the Archive Form transaction ITI-36.

### X.2.4 Form Manager: Form Pre-Pop Option

1120 This option defines the pre-population rules and requirements placed on Form Managers for parsing and assigning pre-pop data attributes for the pre-populated form returned to the Form Filler in the ITI-34. Detailed prepopulation rules for the pre-pop attributes are fully defined in 6.6.1 Form Data Element Mappings from Pre-Pop Document.

### **X.2.5 Form Processor: Form Pre-Pop Option**

1125 This option defines the pre-population rules and requirements placed on Form Processors for parsing and assigning pre-pop data attributes for the pre-populated form returned to the Form Filler in the ITI-34. Detailed prepopulation rules for the pre-pop attributes are fully defined in 6.6.1 Form Data Element Mappings from Pre-Pop Document.

### **X.3 BFDR-E Required Actor Groupings**

This profile does not include any required groupings.

### **X.4 BFDR-E Overview**

1130 The National Vital Statistics System has a long and enduring history that serves to provide essential data on births and deaths within the United States and is the oldest and most successful example of inter-governmental data sharing in Public Health. Currently, these data typically are gathered by hospital personnel from the hospital's medical records using paper worksheets. The process of capturing Vital Records information manually is duplicative, labor-intensive, costly and can be error prone. As a result, the timeliness and quality of these data are adversely affected.

1135

#### **X.4.1 Concepts**

1140 Sets of detailed specifications have been developed for collecting and reporting the items on the U.S. Standard Certificate of Live Birth and the U.S. Standard Report of Fetal Death. It is critical that all U.S. vital registration areas follow these standards to promote uniformity in data collection across registration areas. The best sources for specific data items are identified in the Birth and Fetal Death Edit Specifications for the 2003 Revisions of the U.S. Standard Certificate of Live Birth and the U.S. Standard Report of Fetal Death.

1145 Additionally, standard worksheets are used to enhance the collection of quality, reliable data. A common, standard form, entitled "Mother's Worksheet for Child's Birth Certificate", has been established to identify information to be collected directly from the mother. The "Facility Worksheet for the Live Birth Certificate" was developed to identify information for which the best sources are the mother's and infant's medical records. The use of separate worksheets promotes a standardized collection across states. The "Patient's Worksheet for the Report of Fetal Death" and the "Facility Worksheet for the Report of Fetal Death" have also been established for the purpose of reporting fetal death information.

1150

1155 The hospital is responsible for completing the Record of Live Birth in the jurisdiction's Electronic Birth Registration System (EBRS). Information collected from the mother on the Mother's Worksheet must be data entered into the EBRS. Facility Worksheet data transmitted electronically into the EBRS from the EHR must be reviewed for completeness and accuracy. The birth records specialist plays an essential role in gathering the information and ensuring that all information is complete before transmission to the vital registration system at the

states/jurisdictional vital record offices. Select birth data may be transmitted later to public health authorities as allowed by individual state statute and other vital records stakeholders.

1160 Example Forms:

- [Facility Worksheet \(http://www.cdc.gov/nchs/data/dvs/facwksBF04.pdf\)](http://www.cdc.gov/nchs/data/dvs/facwksBF04.pdf)
- [U.S. Standard Certificate of Live Birth \(http://www.cdc.gov/nchs/data/dvs/birth11-03final-ACC.pdf\)](http://www.cdc.gov/nchs/data/dvs/birth11-03final-ACC.pdf)

1165 Note: The Mother's Worksheet includes legal and other attributes that are required to be obtained through direct data entry and are not specified by this profile

1170 In the following use cases, the birth information specialist (BIS) will review and complete the Facilities Worksheet using information that has already been prepopulated by the EHR system. The BIS verifies the accuracy of the information and submits the form. This may be constrained in the US Extension to support only the forms for data submission for specific jurisdictional implementations. The form is received by a system that is configured to transform the facilities worksheet information into a standard CDA document or HL7 message, depending upon the input format preferred by the vital registration system of the jurisdiction. The information is communicated to the vital registration system where further vital registration functions are addressed to formalize the birth certificate or fetal death report. The use case will also support

1175 the option for the CDA document or HL7 message to be generated directly by a system, without using form-based collection.

## **X.4.2 Use Cases**

### **X.4.2.1 Use Case #1: Forms Data Capture with Messaging**

1180 The Forms Data Capture with Messaging use case uses Retrieve Form for Data Capture (RFD) to present Facilities Worksheet for pre-population, and the Form Receiver system transforms the information into a BFDRFeed (QRPH-37) message to transmit the information to Public Health EBRS.

#### **X.4.2.1.1 Use Case Description**

1185 When the delivery has been documented in the system, a Labor and Delivery Summary document (LDS, LDS-VR) is created with Vital Record Birth and Fetal Death Reporting Content requirements. This summary document is provided as pre-population data to a public health IHE ITI Retrieve Form for Data Capture (RFD) Forms Manager. The RFD Form Receiver provides the content to the EBRS by way of a transform to the corresponding BFDRFeed (QRPH-37) message.

#### **X.4.2.1.2 Processing Steps**

##### **X.4.2.1.2.1 Pre-conditions**

A delivery has been documented in the EHR system.

#### **X.4.2.1.2.2 Main Flow**

1195 This flow captures the EBRS information using forms provided by public health and transmits the data that is captured to public health using HL7 Messaging (BFDRFeed).

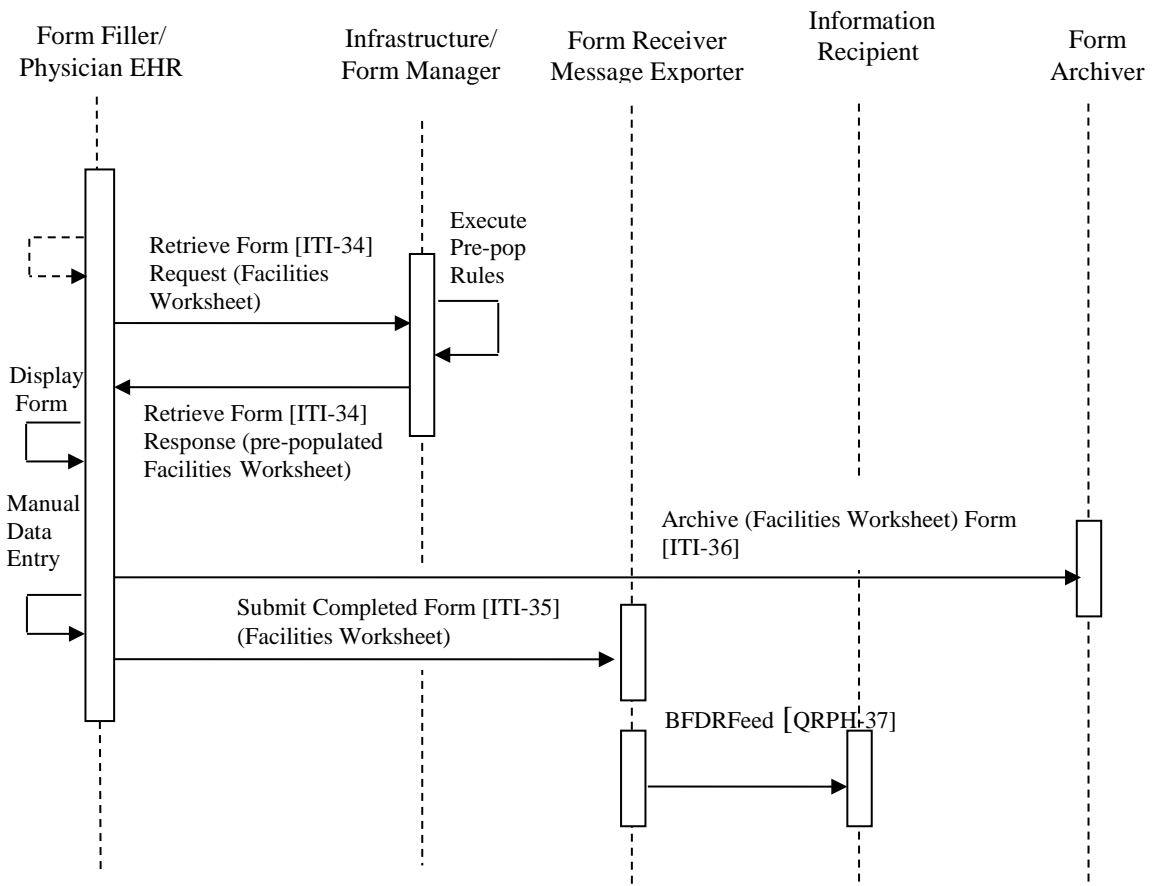
#### **X.4.2.1.2.3 Post-conditions**

The EBRS has received the data.

#### **X.4.2.1.3 Process Flow**

1200 The process flow of this profile is defined by the ITI RFD Profile. Please refer to ITI TF-1:17 for a description of the process flow for RFD. The Form Filler may be implemented by the birthing facility or by the child's clinician in instances of home birth etc. The process flow for the BFDR-E is described below.

1205 The provider EHR presents the Facilities Worksheet providing a LDS or LDS-VR document for Pre-population by the Form Manager. The birth information specialist completes the form, verifies the accuracy of all information, and submits the form. The Form Receiver transforms the information from the form into a HL7 BFDR message and transmits that message to the EBRS system using the Send BFDR Message (QRPH-37).



1210

**Figure X.4.2.1.3-1: Use Case 1 - Forms Data Capture with Messaging**

**X.4.2.2 Use Case #2: Forms Data Capture with Document Submission**

1215 The Forms Data Capture with Document Submission use case uses Retrieve Form for Data Capture (RFD) to present the Facilities Worksheet for pre-population, and the Form Receiver system transforms the information into a BFDR Birth CDA Document or a BFDR Fetal Death CDA Document to transmit the information to Public Health.

#### **X.4.2.2.1 Use Case Description**

1220 When the delivery has been documented in the system, a Labor and Delivery Summary document (LDS, LDS-VR) is created with Vital Record Birth and Fetal Death Reporting Content requirements. This summary document is provided as pre-population data to a public health IHE ITI Retrieve Form for Data Capture (RFD) Forms Manager. The RFD Form Receiver provides the content to the EBRS by way of a transform to the corresponding BFDR Birth CDA Document or the BFDR Fetal Death CDA Document.

#### **1225 X.4.2.2.2 Processing Steps**

##### **X.4.2.2.2.1 Pre-conditions**

A delivery has been documented in the EHR system.

##### **X.4.2.2.2.2 Main Flow**

1230 This flow captures the EBRS information using forms provided by public health and transmits the data that is captured to public health using the BFDR Birth CDA Document or the BFDR Fetal Death CDA Document.

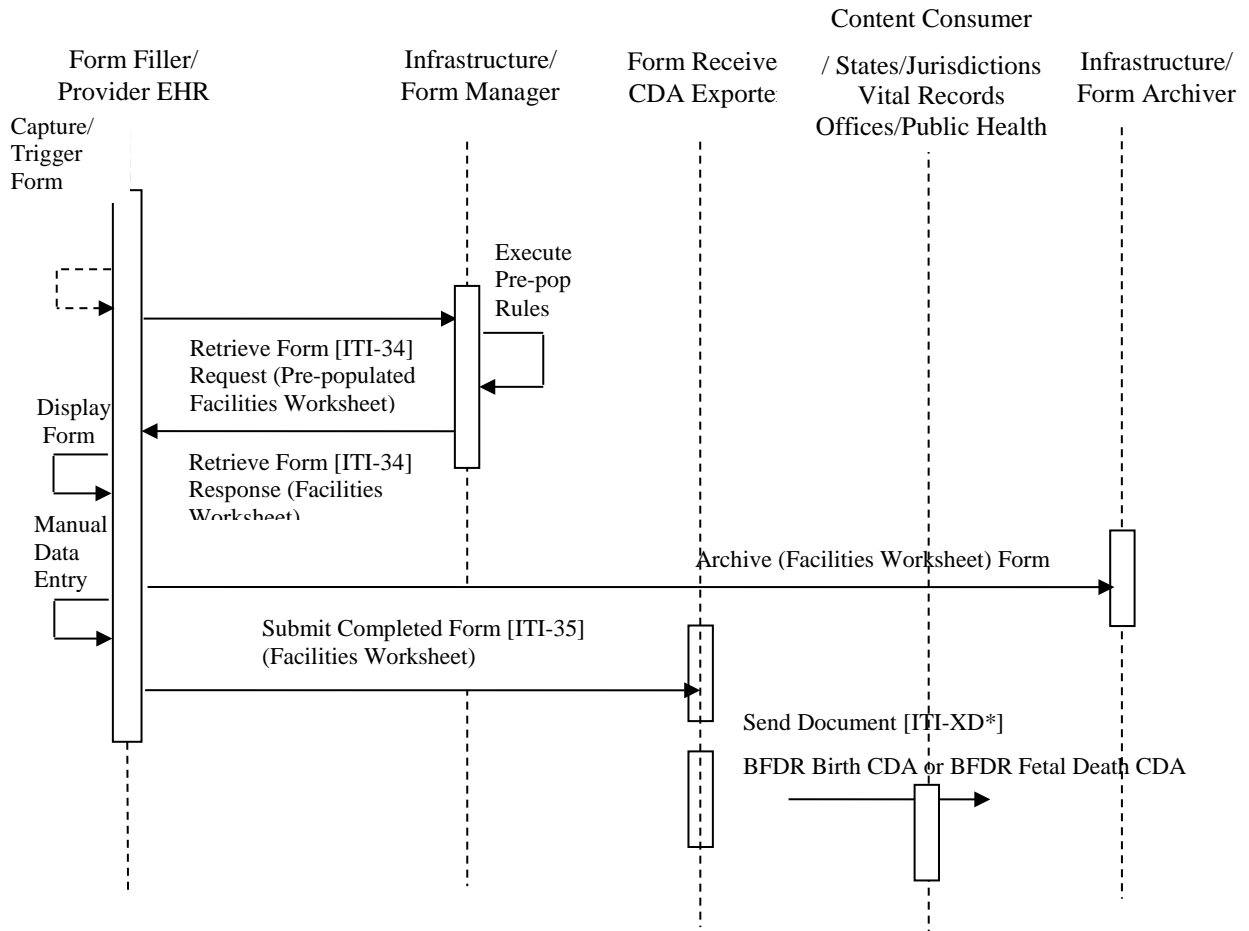
##### **X.4.2.2.2.3 Post-conditions**

The EBRS has received the data.

##### **X.4.2.2.3 Process Flow**

1235 The process flow of this profile is defined by the ITI RFD Profile. Please refer to ITI TF-1:17 for a description of the process flow for RFD. The Form Filler may be implemented by the birthing facility or by the child's clinician in instances of home birth etc. The process flow for the BFDR-E is described below.

1240 The provider EHR presents the Facilities Worksheet providing a LDS or LDS-VR document for Pre-population by the Form Manager. The birth information specialist completes the form, verifies the accuracy of all information, and submits the form. The RFD Form Receiver provides the content to the EBRS by way of a transform to the corresponding BFDR Birth CDA Document or the BFDR Fetal Death CDA Document.



1245

**Figure X.4.2.2.3-1: Use Case 2- Forms Data Capture with Document Submission**

### X.4.2.3 Use Case #3: Native Forms Data Capture

1250

The birth information specialist logs into the EHR and accesses the record of a newborn patient to begin the process of completing information required for birth and fetal death reporting. The EHR presents a form to the BIS that contains some data that has been pre-populated. She reviews the form, completes the remaining items, and verifies that the record is complete and accurate before submitting to transmit the data electronically into the EBRs. The EBRs record is saved, additional EBRs processing completed, and the record is filed electronically by the EBRs with the state vital statistics office.



1255 **X.4.2.3.1 Use Case Description**

When the delivery has been documented in the system, a Labor and Delivery Summary document (LDS, LDS-VR) is created with Vital Record Birth and Fetal Death Reporting Content requirements. This document is provided as pre-population data to a public health IHE ITI Retrieve Form for Data Capture Forms Manager. The RFD Form Receiver information is consumed directly by the EBRS.

1260

**X.4.2.3.2 Processing Steps**

**X.4.2.3.2.1 Pre-conditions**

A delivery has been documented in the EHR system.

**X.4.2.3.2.2 Main Flow**

1265 This flow captures the EBRS information using forms provided by public health and incorporates the data that is captured using product defined methods.

**X.4.2.3.2.3 Post-conditions**

The EBRS has received the data.

**X.4.2.3.3 Process Flow**

1270 The provider EHR presents the Facilities Worksheet providing a LDS or LDS-VR document for Pre-population by the Form Manager. The birth information specialist completes the form, verifies the accuracy of all information, and submits the form. The RFD Form Receiver information is consumed directly by the EBRS.

1275

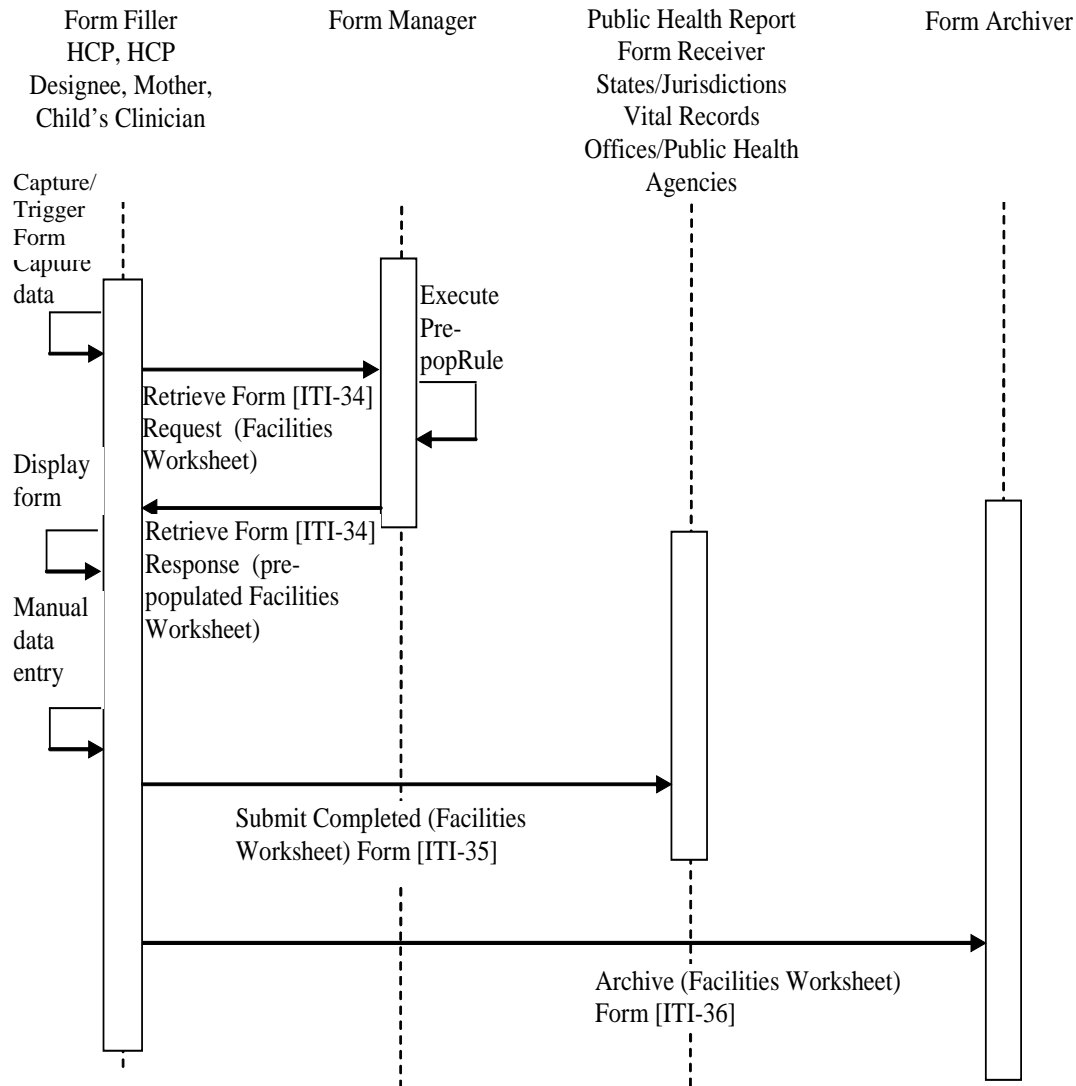


Figure X.4.2.3.3-1: Use Case 3 - Native Forms Data Capture

1280

#### X.4.2.4 Use Case #4: EHR BFDR Messaging

The EHR BFDR Messaging use case creates the HL7 BFDR message directly and transmits the information to the EBRS.

#### X.4.2.4.1 Use Case Description

1285 When the delivery has been documented in the system, the EHR system creates an HL7 BFDR message and sends the message to the EBRS directly.

#### X.4.2.4.2 Processing Steps

##### X.4.2.4.2.1 Pre-conditions

A delivery has been documented in the EHR system.

##### X.4.2.4.2.2 Main Flow

1290 This flow sends the birth registration information to the EBRS using the BFDRFeed [QRPH-37].

##### X.4.2.4.2.3 Post-conditions

The EBRS has received the data.

#### X.4.2.4.3 Process Flow

1295 The provider EHR sends the HL7 BFDR message to the EBRS.

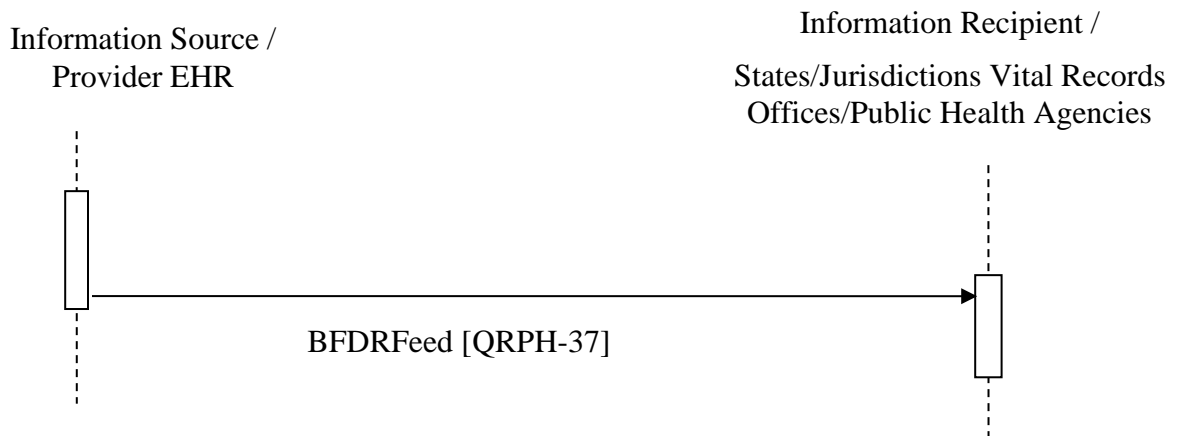


Figure X.4.2.4.3-1: Use Case 4-EHR BFDR Messaging

1300

#### X.4.2.5 Use Case #5: EHR BFDR Document Submission

The EHR BFDR Messaging use case creates the HL7 BFDR message directly and transmits the information to the EBRS.

#### X.4.2.5.1 Use Case Description

1305 When the delivery has been documented in the system,, the EHR system creates an HL7 BFDR message and sends the message to the EBRS directly.

#### X.4.2.5.2 Processing Steps

##### X.4.2.5.2.1 Pre-conditions

A delivery has been documented in the EHR system.

##### 1310 X.4.2.5.2.2 Main Flow

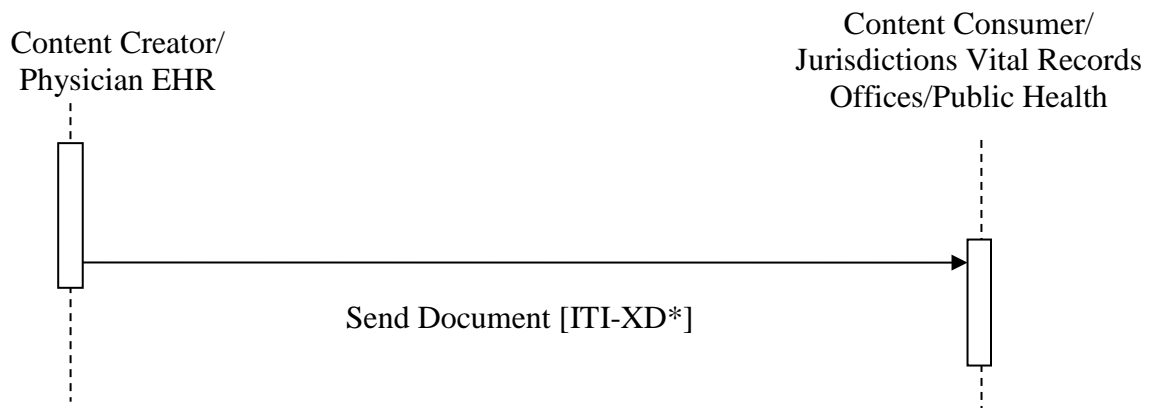
This flow sends the birth registration information to the EBRS using the BFDR Document (CDA).

##### X.4.2.5.2.3 Post-conditions

The EBRS has received the data.

##### 1315 X.4.2.5.3 Process Flow

The provider EHR sends the HL7 BFDR message to the EBRS.



**Figure X.4.2.5.3-1: Use Case 5- EHR BFDR Document Submission**

1320

## X.5 Security Considerations

BFDR includes clinical content related to the information subject. As such, it is anticipated that the transfers of Personal Health Information (PHI) will be protected. The IHE ITI ATNA Integration Profile SHOULD be implemented by all of the actors involved in the IHE

1325 transactions specified in this profile to protect node-to-node communication and to produce an audit trail of the PHI related actions when they exchange messages, though other private security mechanisms MAY be used to secure content within enterprise managed systems. Details regarding ATNA logging will be further described in Volume 2.

1330 The content of the form also results in a legal document, and the Form Manager MAY include a digital signature using ITI DSG to assure that the form content submitted cannot be changed.

For security purposes, when sending information specifically to vital records Electronic Registration Systems, systems will also need to know the identity of the user and the location to identify the data source. In this case, XUA MAY be utilized to support this implementation.

## X.6 Cross Profile Considerations

1335 The following informative narrative is offered as implementation guidance.

### X.6.1 XDS.b, XDM, or XDR XDS.b, XDM, or XDR – Cross Enterprise Document Sharing.b, Cross Enterprise Document Media Interchange, or Cross Enterprise Document Reliable Interchange

1340 The use of the IHE XD\* family of transactions is encouraged to support standards-based interoperability between systems acting as Content Creator and Content Consumer. The grouping of Content Creator and Content Consumer Actors with ITI XD\* Actors is defined in the PCC Technical Framework (PCC TF 1:3.7.1). Below is a summary of recommended IHE transport transactions that MAY be utilized by systems playing the roles of Content Creator or Content Consumer to support the use cases defined in this profile:

- 1345 • A Document Source in XDS.b, a Portable Media Creator in XDM, or a Document Source in XDR might be grouped with the BFDR Content Creator. A Document Consumer in XDS.b, a Portable Media Importer in XDM, or a Document Recipient in XDR might be grouped with the BFDR Content Consumer, A registry/repository-based infrastructure is defined by the IHE Cross Enterprise Document Sharing (XDS.b) that includes profile support that can be leveraged to facilitate retrieval of public health related information from a document sharing infrastructure: Multi-Patient Query (MPQ), Document Metadata Subscription (DSUB) and notification of availability of documents (NAV),
- 1350 • A media-based infrastructure is defined by the IHE Cross Enterprise Document Media Interchange (XDM) Profile. A Portable Media Creator in XDM might be grouped with the BFDR Content Creator. A Portable Media Importer in XDM might be grouped with the BFDR Content Consumer,
- 1355 • A reliable messaging-based infrastructure is defined by the IHE Cross Enterprise Document Reliable Interchange (XDR) Profile. A Document Source in XDR might be grouped with the BFDR Content Creator. A Document Recipient in XDR might be grouped with the BFDR Content Consumer,
- 1360

- 1365
- All of these infrastructures support Security and privacy through the use of the Consistent Time (CT) and Audit Trail and Node Authentication (ATNA) Profiles. A Time Client in CT might be grouped with the BFDR Content Creator and the BFDR Content Consumer. A Secure Node and/or a Secure Application in ATNA might be grouped with the BFDR Content Creator and the BFDR Content Consumer.

Detailed description of these transactions can be found in the IHE IT Infrastructure Technical Framework.

### **X.6.2 Sharing Value Set (SVS)**

- 1370
- Actors in the BFDR Profile may support the Sharing Value Set (SVS) Integration Profile in order to use a common uniform managed vocabulary for dynamic management of form mapping rules.

### **X.7 BFDR Data Elements**

- 1375
- This profile defines specific data element content. These data elements are used to create the BFDR Birth CDA Document or the BFDR Fetal Death CDA Document, generate the HL7 BFDR Message, or populate a form defined to gather the required structured data, such as the US BFDR Form. That set of data elements in the form are identified and defined in Appendix B.

# Appendices

## Appendix A – Sample Forms

## **A.1 Sample Birth ReportingUS Facilities Worksheet**

1380

The sample Birth Reporting Facilities Worksheet form included in this content profile reflects the U.S. Standard Certificate of Live Birth reporting requirements from the birthing facility. However, the BFDR Content Profile may be modified to include and accommodate international birth reporting requirements. Red-lined items in this sample form have been deprecated and are no longer collected.



Mother's medical record # _____ Mother's name _____
--

**FINAL** (2/5/04)

### FACILITY WORKSHEET FOR THE LIVE BIRTH CERTIFICATE

*For pregnancies resulting in the births of two or more live-born infants, this worksheet should be completed for the 1st live born infant in the delivery. For each subsequent live-born infant, complete the "Attachment for Multiple Births." For any fetal loss in the pregnancy reportable under State reporting requirements, complete the "Facility Worksheet for the Fetal Death Report." For detailed definitions, instructions, information on sources, and common key words and abbreviations please see "The Guide to Completing Facility Worksheets for the Certificate of Live Birth."*

1. Facility name: \* \_\_\_\_\_  
(If not institution, give street and number)

2. Facility I.D. (National Provider Identifier): \_\_\_\_\_

3. City, Town or Location of birth: \_\_\_\_\_

4. County of birth: \_\_\_\_\_

5. Place of birth:

- Hospital
- Freestanding birthing center (Freestanding birthing center is defined as one which has no direct physical connection with an operative delivery center.)
- Home birth   
Planned to deliver at home  Yes  No
- Clinic/Doctor's Office
- Other (specify, e.g., taxi cab, train, plane, etc.) \_\_\_\_\_

\*Facilities may wish to have pre-set responses (hard-copy and/or electronic) to questions 1-5 for births which occur at their institutions.

### Prenatal

#### Sources: Prenatal care records, mother's medical records, labor and delivery records

**Information for the following items should come from the mother's prenatal care records and from other medical reports in the mother's chart, as well as the infant's medical record. If the mother's prenatal care record is not in her hospital chart, please contact her prenatal care provider to obtain the record, or a copy of the prenatal care information. Preferred and acceptable sources are given before each section. Please do not provide information from sources other than those listed.**

1385

## **A.2 Sample US Fetal Death Facilities Worksheet**

The sample Fetal Death Reporting Facilities Worksheet form included in this content profile reflects the U.S. Standard Report of Fetal Death reporting requirements from the birthing facility. However, the BFDR Content Profile may be modified to include and accommodate international fetal death reporting requirements.

1390

6(a). **Date of first prenatal care visit** (Prenatal care begins when a physician or other health professional first examines and/or counsels the pregnant woman as part of an ongoing program of care for the pregnancy):

**No prenatal care** (The mother did not receive prenatal care at any time during the pregnancy. If this box is checked skip 6(b))

6(b). **Date of last prenatal care visit** (Enter the date of the last visit recorded in the mother's prenatal records):

7. **Total number of prenatal care visits for this pregnancy** (Count only those visits recorded in the record. If none enter "0"): \_\_\_\_\_

8. **Date last normal menses began:**                        

9. **Number of previous live births now living** (For multiple deliveries, includes live born infants born before this fetus in the multiple set.):  
\_\_\_\_\_ Number       None

10. **Number of previous live births now dead** (For multiple deliveries, includes live born infants born before this fetus in the multiple set who subsequently died):  
\_\_\_\_\_ Number       None

11. **Date of last live birth:**                        

12. **Total number of other pregnancy outcomes** (Include fetal losses of any gestational age- spontaneous losses, induced losses, and/or ectopic pregnancies. If this was a multiple delivery, include all fetal losses delivered before this fetus in the pregnancy):  
\_\_\_\_\_ Number       None

13. **Date of last other pregnancy outcome** (Date when last pregnancy which did not result in a live birth ended):

14. **Risk factors in this pregnancy** (Check all that apply):

**Diabetes** - (Glucose intolerance requiring treatment)

- Prepregnancy** - (Diagnosis prior to this pregnancy)  
 **Gestational** - (Diagnosis in this pregnancy)

**Hypertension** - (Elevation of blood pressure above normal for age, gender, and physiological condition.)

- Prepregnancy** - (Chronic) (Elevation of blood pressure above normal for age, gender, and physiological condition diagnosed prior to the onset of this pregnancy)  
 **Gestational** - (PIH, preeclampsia) (Elevation of blood pressure above normal for age, gender, and physiological condition diagnosed during this pregnancy. May include proteinuria (protein in the urine) without seizures or coma and pathologic edema (generalized swelling, including swelling of the hands, legs and face).)  
 **Eclampsia** - (Pregnancy induced hypertension with proteinuria with generalized seizures or coma. May include pathologic edema)

**Previous preterm births** - (History of pregnancy(ies) terminating in a live birth of less than 37 completed weeks of gestation)

**Other previous poor pregnancy outcome** - (Includes perinatal death, small for gestational age/intrauterine growth restricted birth) - (History of pregnancies continuing into the 20th week of gestation and resulting in any of the listed outcomes. Perinatal death includes fetal and neonatal deaths.)

### A.3 Form Data Element Key for Sample US Facilities Worksheet

1395 The following table reflects the mapping between the form elements in the sample Fetal Death Reporting Facilities Worksheet form above and the data elements described in Appendix B.

Data Element #	BFDR Data Element Code	Data Element Name
1	FNAME	<!-- 1. Facility name: Include the name of Facility where birth occurred-->
2	FNPI	<!-- 2. Facility I.D. (National Provider Identifier)-->
3	ADDRESS_D	<!-- 3. Facility: City, Town or Location of birth-->
4	CNAME	<!-- 4. Facility: County of birth -->
5	BPLACE	<!-- 5. Type of Place of birth
6	DOFP_YR, DOFP_MO, DOFP_DY	<!-- #6.(a) Date of first prenatal care visit -->
7	NPREV	<!-- #7. Total number of prenatal care visits for this pregnancy -->
8	DLMP_YR, DLMP_MO, DLMP_DY	<!-- #8. Date last normal menses began -->
9	PLBL	<!-- #9. Number of previous live births now living -->
10	PLBD	<!-- #10. Number of previous live births now dead -->
11	YLLB, MLLB	<!-- #11. Date of last live birth -->
12	POPO	<!-- #12. Total number of other pregnancy outcomes -->
13	YOPO, MOPO	<!-- #13. Date of last other pregnancy outcome-->
14	GDIAB, PHYPE, GHYPE, PPB, PPO, VB, INFT, PCES, NPCES	<!-- #14. Risk factors in this pregnancy -->
15	GON, SYPH, CHAM, HEPB, HEPC	<!-- 15 Infections present and/or treated during this pregnancy.
16	CERV, TOC, ECVS, ECVF	<!-- 16. Obstetric procedures-->
17	PROM, PRIC, PROL	<!-- 17. Onset of Labor -->
18	IDOB_YR, IDOB_MO, IDOB_DY	<!-- 18. Date of birth: -->
19	TB	<!-- 19. Time of birth -->
20		<!-- 20. Certifier's name and title: OMIT-->
21		<!-- 21. Date certified: OMIT-->
22	PAY	<!-- 22. Principal source of payment for this delivery-->
23	IRECNUM	<!-- 23. Infant's medical record number-->

IHE Quality, Research and Public Health Technical Framework Supplement – Birth and Fetal Death Reporting-Enhanced (BFDR-E)

Data Element #	BFDR Data Element Code	Data Element Name
24	TRAN	<!-- 24. Was the mother transferred to this facility for maternal medical or fetal indications for delivery?-->
25A	ATTENDN	<!-- 25. Attendant's name -->
25B	ATTEND	<!-- Attendants title -->
25C	NPI	<!-- Attendant's N.P.I. -->
26	DWGT	<!-- 26. Mother's weight at delivery-->
27	INDL, AUGL, NVPR, STER, ANTB, CHOR, MECS, FINT, ESAN	<!-- 27. Characteristics of labor and delivery-->
28	ROUT, PRES, TLAB	<!-- 28. Method of Delivery: -->
29	MTR, PLAC, RUT, UHYS, AINT, UOPR	<!-- 29. Maternal morbidity: -->
30	BWG	<!-- 30. Birthweight -->
31	OWGEST	#31. Obstetric estimate of gestation at delivery-->
32	ISEX	<!-- 32. Sex (Male, Female, or Not yet determined): -->
33A	APGAR5	<!-- APGAR Score at 5 minutes-->
33B	APGAR10	<!-- APGAR Score at 10 minutes-->
34	PLUR	<!-- 34. Plurality -->
35	SORD	<!-- 35. If not single birth(Order delivered in the pregnancy, specify 1st, 2nd, 3rd, 4th, 5th, 6th, 7th, etc.) (Include all live births and fetal losses resulting from this pregnancy): Not Applicable-->
36	LIVEB	<!-- 36. If not single birth, specify number of infants in this delivery born alive-->
37	AVEN1, AVEN6, NICU, SURF, ANTI, SEIZ, BINJ	<!-- 37. Abnormal conditions of the newborn -->
38	ANEN, MNSB, CCHD, CDH, OMPH, GAST, LIMB, CL, CP, DOWT, CDIT, HYPO	<!-- 38. Congenital anomalies of the newborn -->
39	ITRAN	<!-- 39. Was infant transferred within 24 hours of delivery-->
40	ILIV	<!-- 40. Is infant living at time of report -->
41	BFED	<!-- 41. Is infant being breastfed at discharge-->
42	HFT, HIN	<!-- 42. Maternal height -->
43	PWGT	<!-- 43. Maternal weight immediately before this pregnancy -->

## A.4 Form Data Element Key Sample US Fetal Death Facilities Worksheet

1400

The following table reflects the mapping between the form elements in the sample Fetal Death Facilities Worksheet form above and the data elements described in IHE QRPH BFDR-E TF-1: Appendix B.

Data Element #	BFDR Data Element Code	Data Element Name
1	FNAME	<!-- 1. Facility name: Include the name of Facility where birth occurred-->
2	FNPI	<!-- 2. Facility I.D. (National Provider Identifier)-->
3	ADDRESS_D	<!-- 3. Facility: City, Town or Location of birth-->
4	CNAME	<!-- 4. Facility: County of birth -->
5	BPLACE	<!-- 5. Type of Place of birth
6	DOFP_YR, DOFP_MO, DOFP_DY	<!-- #6.(a) Date of first prenatal care visit -->
7	NPREV	<!-- #7. Total number of prenatal care visits for this pregnancy -->
8	DLMP_YR, DLMP_MO, DLMP_DY	<!-- #8. Date last normal menses began -->
9	PLBL	<!-- #9. Number of previous live births now living -->
10	PLBD	<!-- #10. Number of previous live births now dead -->
11	YLLB, MLLB	<!-- #11. Date of last live birth -->
12	POPO	<!-- #12. Total number of other pregnancy outcomes -->
13	YOPO, MOPO	<!-- #13. Date of last other pregnancy outcome-->
14	GDIAB, PHYPE, GHYPE, PPB, PPO, VB, INFT, PCES, NPCES	<!-- #14. Risk factors in this pregnancy -->
15	GON, SYPH, CHAM, LM, GBS, CMV, B19, TOXO	<!-- 15 Infections present and/or treated during this pregnancy.
16	FDOD_YR , FDOD_MO , FDOD_DY ,	<!-- 16. Date of Delivery-->
17	TD	<!-- 17. Time of Delivery-->
18		<!-- 18. Name and title of person completing report:>
19		<!-- 19. Date Report Completed -->
20	TRAN	<!-- 20. Was the mother transferred to this facility for maternal medical or fetal indications for delivery?-->
21A	ATTENDN	<!-- 21. Attendant's name -->
21B	ATTEND	<!-- Attendants title -->

IHE Quality, Research and Public Health Technical Framework Supplement – Birth and Fetal Death Reporting-Enhanced (BFDR-E)

Data Element #	BFDR Data Element Code	Data Element Name
21C	NPI	<!-- Attendant's N.P.I. -->
22	DWGT	<!-- 22. Mother's weight at delivery-->
23	ROUT, PRES, TLAB, HYST	<!-- 23. Method of Delivery: -->
24	MTR, PLAC, RUT, UHYS, AINT, UOPR	<!-- 24. Maternal morbidity: -->
25	FWG	<!-- 25. Weight of Fetus: -->
26	OWGEST	<!-- 26. Obstetric estimate of gestation at delivery: -->
27	FSEX	<!-- 27. Sex (Male, Female, or Unknown): -->
28	PLUR	<!-- 28. Plurality )-->
29	SORD	<!-- 29. If not single birth(Order delivered in the pregnancy, specify 1st, 2nd, 3rd, 4th, 5th, 6th, 7th, etc.) (Include all live births and fetal losses resulting from this pregnancy): Not Applicable-->
30	LIVEB	<!-- 30. If not single birth, specify number of infants in this delivery born alive-->
31	ANEN, MNSB, CCHD, CDH, OMPH, GAST, LIMB, CL, CP, DOWC, DOWN, DOWP, CDIC, CDIS, CDIP, HYPO	<!-- 31. Congenital anomalies of the newborn -->
32		<!-- 32. Method of Disposition OMIT -->
33		<!-- 33. Initiating Cause/Condition OMIT -->
34		<!-- 34. Other Significant Causes or Conditions OMIT -->
35	AUTOP	<!-- 35. Was an autopsy performed? -->
36	HISTOP	<!-- 36. Was a histological placental examination performed? -->
37		<!-- 37. Were autopsy or histological placental examination results used in determining the cause of fetal death? OMIT -->
38	ETIME	<!-- 38. Estimated time of fetal death -->

1405 **Appendix B – Data Element Definitions**

The following data elements are used in Vital Records Birth and Fetal Death Reporting:

Attribute Name	Used in Birth	Used in Fetal Death	Birth and Fetal Death Report Data Element	Description
ANTI	Y	N	Abnormal conditions of the newborn: Antibiotics [received by the newborn for suspected neonatal sepsis]	Any antibacterial drug given systemically (intravenous or intramuscular.) For example, penicillin, ampicillin, gentamicin, cefotaxime, etc.)
AVEN1	Y	N	Abnormal conditions of the newborn: Assisted ventilation [required immediately following delivery]	Infant given manual breaths with bag and mask or bag and endotracheal tube within the first several minutes from birth for any duration. Excludes oxygen only and laryngoscopy for aspiration of meconium.
AVEN6	Y	N	Abnormal conditions of the newborn: Assisted ventilation for 6 or more hours	Infant given mechanical ventilation (breathing assistance) by any method for more than 6 hours. Includes conventional, high frequency and/or continuous positive pressure (CPAP).
BINJ	Y	N	Abnormal conditions of the newborn: Significant birth injury [ (skeletal fracture(s), peripheral nerve injury, and/or soft tissue/solid organ hemorrhage which requires intervention)]	Significant birth injury: (skeletal fracture(s), peripheral nerve injury and/or soft tissue/solid organ hemorrhage which requires intervention). Defined as present immediately following delivery or manifesting following delivery. Includes any bony fracture or weakness or loss of sensation, but excludes fractured clavicles and transient facial nerve palsy. Soft tissue hemorrhage requiring evaluation and/or treatment includes sub-galeal (progressive extravasation within the scalp) hemorrhage, giant cephalohematoma, extensive truncal, facial and /or extremity ecchymossi accompanied by evidence of anemia and/or hypovolemia and or hypotension. Solid organ hemorrhage includes subcapsular hematoma of the liver, fractures of the spleen, or adrenal hematoma. All require confirmation by diagnostic imaging or exploratory laparotomy.
NICU	Y	N	Abnormal conditions of the newborn: Admission to NICU	Admission into a facility or unit staffed and equipped to provide continuous mechanical ventilatory support for the newborn.



IHE Quality, Research and Public Health Technical Framework Supplement – Birth and Fetal Death Reporting-Enhanced (BFDR-E)

Attribute Name	Used in Birth	Used in Fetal Death	Birth and Fetal Death Report Data Element	Description
SEIZ	Y	N	Abnormal conditions of the newborn: Seizure or serious neurologic dysfunction	Seizure defined as any involuntary repetitive, convulsive movement or behavior. Serious neurologic dysfunction defined as severe alteration of alertness such as obtundation, stupor, or coma, i.e., hypoxicischemic encephalopathy. Excludes lethargy or hypotonia in the absence of other neurologic findings. Exclude symptoms associated with CNS congenital anomalies.
SURF	Y	N	Abnormal conditions of the newborn:[Newborn given] Surfactant replacement therapy	Newborn given surfactant replacement therapy: Endotracheal instillation of a surface active suspension for the treatment of surfactant deficiency either due to preterm birth or pulmonary injury resulting in decreased lung compliance (respiratory distress). Includes both artificial and extracted natural surfactant.
NOA54	Y	N	Abnormal conditions of the newborn: None of the above	None of the listed abnormal conditions of the newborn.
DNA54	Y	N	Abnormal conditions of the newborn: Pending	If the data are not available when the abnormal conditions of the newborn are provided, the pending flag is set. The item will appear on the final review screen for entry before information is sent to vital records.
APGAR5	Y	N	Apgar Score: 5 Minute	A systematic measure for evaluating the physical condition of the infant at specific intervals following birth. Enter the infant's Apgar score at 5 minutes.
APGAR10	Y	N	Apgar Score: 10 Minute	A systematic measure for evaluating the physical condition of the infant at specific intervals following birth. If the score at 5 minutes is less than 6, enter the infant's Apgar score at 10 minutes.
ATTENDN	Y	Y	Attendant's name	The name of the attendant (the person responsible for delivering the child), their title, and their National Provider Identification (NPI) Number.
ATTEND	Y	Y	Attendant's title:	The title of the person (attendant) responsible for delivering the child. The attendant at birth is defined as the individual physically present at the delivery who is responsible for the delivery. Titles include: M.D. (doctor of medicine); D.O. (doctor of osteopathy); CNM/CM (certified nurse midwife/certified midwife); Other midwife (midwife other than a CNM/CM); and Other (specify)

IHE Quality, Research and Public Health Technical Framework Supplement – Birth and Fetal Death Reporting-Enhanced (BFDR-E)

Attribute Name	Used in Birth	Used in Fetal Death	Birth and Fetal Death Report Data Element	Description
ATTENDS	Y	Y	Attendant: Other specified	The specific title of the person (attendant) responsible for delivering the child if not included in the list of provided titles. Examples include nurse, father, police officer, and EMS technician. The attendant at birth is defined as the individual physically present at the delivery who is responsible for the delivery.
NPI	Y	Y	Attendant's NPI	The National Provider Identification Number (NPI) of the person (attendant) responsible for delivering the child.
BWG	Y	N	Birth weight (Infant's)	Infant's birthweight in grams.
BWO	Y	N	Birth weight (Infant's)	Infant's birthweight in ounces.
BWP	Y	N	Birth weight (Infant's)	Infant's birthweight in pounds.
ANTB	Y	N	Characteristics of labor and delivery: Antibiotics[received by the mother during labor]	Antibiotics received by the mother during labor. Includes antibacterial medications given systemically (intravenous or intramuscular) to the mother in the interval between the onset of labor and the actual delivery. Includes: Ampicillin, Penicillin, Clindamycin, Erythromycin, Gentamicin, Cefataxine, and Ceftriaxone. Information about the course of labor and delivery.
AUGL	Y	N	Characteristics of labor and delivery: Augmentation of labor	Augmentation of labor: Stimulation of uterine contractions by drug or manipulative technique with the intent to reduce the time of delivery (i.e., after labor has begun). Information about the course of labor and delivery.
CHOR	Y	N	Characteristics of labor and delivery: [Clinical] Chorioamnionitis [diagnosed during labor or maternal temperature >=38 degrees (100.4F)]	Any recorded maternal temperature at or above 38oC (100.4oF) or clinical diagnosis of chorioamnionitis during labor made by the delivery attendant (usually includes more than one of the following: fever, uterine tenderness and/or irritability, leukocytosis, or fetal tachycardia). Information about the course of labor and delivery.

IHE Quality, Research and Public Health Technical Framework Supplement – Birth and Fetal Death Reporting-Enhanced (BFDR-E)

Attribute Name	Used in Birth	Used in Fetal Death	Birth and Fetal Death Report Data Element	Description
ESAN	Y	N	Characteristics of labor and delivery: [Epidural or spinal]Anesthesia[during labor]	Administration to the mother of a regional anesthetic to control the pain of labor. Delivery of the agent into a limited space with the distribution of the analgesic effect limited to the lower body. Information about the course of labor and delivery.
INDL	Y	N	Characteristics of labor and delivery: Induction of labor	Induction of labor: Initiation of uterine contractions by medical and/or surgical means for the purpose of delivery before the spontaneous onset of labor (i.e., before labor has begun). Information about the course of labor and delivery.
STER	Y	N	Characteristics of labor and delivery: Steroids [(glucocorticoids) for fetal lung maturation received by the mother prior to delivery]	Steroids (glucocorticoids): For fetal lung maturation received by the mother before delivery. Includes: Betamethasone dexamethasone, or hydrocortisone specifically given to accelerate fetal lung maturation in anticipation of preterm delivery. Does not include: Steroid medication given to the mother as an anti-inflammatory treatment before or after delivery. Information about the course of labor and delivery.
NOA04	Y	N	Characteristics of labor and delivery: None of the above	None of the listed characteristics of labor and delivery that provide information about the course of labor and delivery.
DNA04	Y	N	Characteristics of labor and delivery: Pending	If the data are not available when the characteristics of labor and delivery are provided, the pending flag is set. The item will appear on the final review screen for entry before information is sent to vital records.
IDOB_YR	Y	N	Child: Date of Birth: Year	The infant's date (year) of birth.
IDOB_MO	Y	N	Child: Date of Birth: Month	The infant's date (month) of birth.
IDOB_DY	Y	N	Child: Date of Birth: Day	The infant's date (day) of birth.
KIDFNAME	Y	Y	Child's First Name/ Name of Fetus(optional at the discretion of the parents)	The legal name (first) of the child as provided by the parents.
KIDMNAME	Y	Y	Child's Middle Name / Name of Fetus(optional at the discretion of the parents)	The legal name (middle) of the child as provided by the parents.
KIDLNAME	Y	Y	Child's Last Name / Name of Fetus(optional at the discretion of the parents)	The legal name (last) of the child as provided by the parents.

IHE Quality, Research and Public Health Technical Framework Supplement – Birth and Fetal Death Reporting-Enhanced (BFDR-E)

Attribute Name	Used in Birth	Used in Fetal Death	Birth and Fetal Death Report Data Element	Description
KIDSUFFIX	Y	Y	Child’s Last Name Suffix:	The legal name (suffix) of the child as provided by the parents.
BFED	Y	N	Child: Infant being breastfed?	Information on whether the infant was being breast-fed during the period between birth and discharge from the hospital.
ILIV	Y	N	Child: Infant living at time of report?	Information on the infant’s survival. Check “Yes” if the infant is living. Check “Yes” if the infant has already been discharged to home care. Check “No” if it is known that the infant has died. If the infant was transferred but the status is known, indicate the known status.
IRECNUM	Y	N	Child: Newborn Medical Record Number	The medical record number assigned to the newborn.
ISEX	Y	N	Child: (infant) Sex -	The sex of the infant.
ITRAN	Y	N	Child: Infant transferred within 24 hours of delivery/name the facility FTRAN	Transfer status of the infant within 24 hours after delivery.
FTRAN	Y	N	Child: Infant transferred within 24 hours of delivery/name the facility	
TB	Y	N	Child: Time of Birth	The infant’s time of birth.
ANEN	Y	Y	Congenital anomalies of the Newborn: Anencephaly	Partial or complete absence of the brain and skull. Also called anencephalus, acrania, or absent brain .Also includes infants with craniorachischisis (anencephaly with a contiguous spine defect).
CCHD	Y	Y	Congenital anomalies of the Newborn: Cyanotic congenital heart disease	Congenital heart defects that cause cyanosis.

IHE Quality, Research and Public Health Technical Framework Supplement – Birth and Fetal Death Reporting-Enhanced (BFDR-E)

Attribute Name	Used in Birth	Used in Fetal Death	Birth and Fetal Death Report Data Element	Description
CDH	Y	Y	Congenital anomalies of the Newborn:- Congenital diaphragmatic hernia	Defect in the formation of the diaphragm allowing herniation of abdominal organs into the thoracic cavity.
CDIC	Y	Y	Congenital anomalies of the Newborn: Suspected chromosomal disorder karyotype confirmed	Suspected chromosomal disorder karyotype confirmed
CDIS	Y	Y	Congenital anomalies of the Newborn: Suspected chromosomal Disorder	Suspected chromosomal disorder: Includes any constellation of congenital malformations resulting from or compatible with known syndromes caused by detectable defects in chromosome structure.
CDIP	Y	Y	Congenital anomalies of the Newborn: Suspected chromosomal disorder karyotype pending	Suspected chromosomal disorder karyotype pending.
CL	Y	Y	Congenital anomalies of the Newborn: Cleft Lip with or without Cleft Palate	Cleft lip with or without cleft palate refers to incomplete closure of the lip. Cleft lip may be unilateral, bilateral or median; all should be included in this category.
CP	Y	Y	Congenital anomalies of the Newborn: Cleft Palate alone	Cleft palate refers to incomplete fusion of the palatal shelves. This may be limited to the soft palate or may also extend into the hard palate. Cleft palate in the presence of cleft lip should be included in the “Cleft Lip with or without cleft Palate” category, rather than here.
DOWC	Y	Y	Congenital anomalies of the Newborn: Down Karyotype Confirmed	Down Karyotype confirmed
DOWN	Y	Y	Congenital anomalies of the Newborn: Down Syndrome	Down Syndrome: Trisomy 21
DOWP	Y	Y	Congenital anomalies of the Newborn: Down Karyotype Pending	Down Karyotype pending

IHE Quality, Research and Public Health Technical Framework Supplement – Birth and Fetal Death Reporting-Enhanced (BFDR-E)

Attribute Name	Used in Birth	Used in Fetal Death	Birth and Fetal Death Report Data Element	Description
GAST	Y	Y	Congenital anomalies of the Newborn: Gastroschisis	An abnormality of the anterior abdominal wall, lateral to the umbilicus, resulting in herniation of the abdominal contents directly into the amniotic cavity. Differentiated from omphalocele by the location of the defect and absence of a protective membrane.
HYPO	Y	Y	Congenital anomalies of the Newborn: Hypospadias	Hypospadias: Incomplete closure of the male urethra resulting in the urethral meatus opening on the ventral surface of the penis. Includes first degree – on the glans ventral to the tip, second degree – in the coronal sulcus, and third degree – on the penile shaft.
LIMB	Y	Y	Congenital anomalies of the Newborn: Limb reduction defect	Limb reduction defect: (excluding congenital amputation and dwarfing syndromes) Complete or partial absence of a portion of an extremity secondary to failure to develop.
MNSB	Y	Y	Congenital anomalies of the Newborn: Meningomyelocele/ Spina Bifida	Spina bifida is herniation of the meninges and/or spinal cord tissue through a bony defect of spine closure. Meningomyelocele is herniation of meninges and spinal cord tissue. Meningocele (herniation of meninges without spinal cord tissue) should also be included in this category. Both open and closed (covered with skin) lesions should be included. Do not include Spina bifida occulta (a midline bony spinal defect without protrusion of the spinal cord or meninges).
OMPH	Y	Y	Congenital anomalies of the Newborn: Omphalocele	A defect in the anterior abdominal wall, accompanied by herniation of some abdominal organs through a widened umbilical ring into the umbilical stalk. The defect is covered by a membrane, (different from gastroschisis, see below), although this sac may rupture. Also called exomphalos. Umbilical hernia (completely covered by skin) should not be included in this category.
NOA55	Y	Y	Congenital anomalies of the Newborn: None of the anomalies listed above	None of the listed congenital anomalies of the newborn or fetus.
DNA55	Y	Y	Congenital anomalies of the Newborn: Pending	If the data are not available when the abnormal conditions of the newborn are provided, the pending flag is set. The item will appear on the final review screen for entry before information is sent to vital records.
YLLB	Y	Y	Date of last live birth:	The year of birth of the last live-born infant.
MLLB	Y	Y	Date of last live birth:	The month of birth of the last live-born infant.

IHE Quality, Research and Public Health Technical Framework Supplement – Birth and Fetal Death Reporting-Enhanced (BFDR-E)

Attribute Name	Used in Birth	Used in Fetal Death	Birth and Fetal Death Report Data Element	Description
DLMP_DY	Y	Y	Date last Normal Menses began:	The date the mother’s last normal menstrual period began.
DLMP_MO	Y	Y	Date last Normal Menses began:	The date the mother’s last normal menstrual period began.
DLMP_YR	Y	Y	Date last Normal Menses began:	The date the mother’s last normal menstrual period began.
YOPO	Y	Y	Date of Last Other Pregnancy Outcome: Year	The date (year) that the last pregnancy that did not result in a live birth ended. Includes pregnancy losses at any gestation age. Examples: spontaneous or induced losses or ectopic pregnancy.
MOPO	Y	Y	Date of Last Other Pregnancy Outcome: Month	The date (month) that the last pregnancy that did not result in a live birth ended. Includes pregnancy losses at any gestation age. Examples: spontaneous or induced losses or ectopic pregnancy.
ADDRESS_D	Y	Y	Facility Address	
FNAME	Y	Y	Facility Name (if Not institution, give street and number)	The name of the facility where the delivery took place.
FNPI	Y	Y	Facility National Provider Identifier	National Provider Identifier.
CHAM	Y	Y	Infections present and treated during this pregnancy: Chlamydia	Chlamydia: A positive test for Chlamydia trachomatis. Infections present at the time of the pregnancy diagnosis or a confirmed diagnosis during the pregnancy with or without documentation of treatment. Documentation of treatment during this pregnancy is adequate if a definitive diagnosis is not present in the available record.
GON	Y	Y	Infections present and treated during this pregnancy: Gonorrhea	Gonorrhea: A positive test/culture for Neisseria gonorrhoea. Infections present at the time of the pregnancy diagnosis or a confirmed diagnosis during the pregnancy with or without documentation of treatment. Documentation of treatment during this pregnancy is adequate if a definitive diagnosis is not present in the available record.

IHE Quality, Research and Public Health Technical Framework Supplement – Birth and Fetal Death Reporting-Enhanced (BFDR-E)

Attribute Name	Used in Birth	Used in Fetal Death	Birth and Fetal Death Report Data Element	Description
HEPB	Y	Y/N	Infections present and treated during this pregnancy: Hepatitis B	Hepatitis B (HBV, serum hepatitis): A positive test for the hepatitis B virus. Infections present at the time of the pregnancy diagnosis or a confirmed diagnosis during the pregnancy with or without documentation of treatment. Documentation of treatment during this pregnancy is adequate if a definitive diagnosis is not present in the available record.
HEPC	Y	Y/N	Infections present and treated during this pregnancy: Hepatitis C	Hepatitis C (non-A, non-B hepatitis (HCV)): A positive test for the hepatitis C virus. Infections present at the time of the pregnancy diagnosis or a confirmed diagnosis during the pregnancy with or without documentation of treatment. Documentation of treatment during this pregnancy is adequate if a definitive diagnosis is not present in the available record.
SYPH	Y	Y	Infections present and treated during this pregnancy: Syphilis	Syphilis (also called lues) A positive test for Treponema pallidum. Infections present at the time of the pregnancy diagnosis or a confirmed diagnosis during the pregnancy with or without documentation of treatment. Documentation of treatment during this pregnancy is adequate if a definitive diagnosis is not present in the available record.
NOA02	Y	Y	Infections present and treated during this pregnancy: None of the above	None of the listed infections were present and treated during this pregnancy.
AINT	Y	Y	Maternal Morbidity: - Admission to Intensive care [unit]	Admission to intensive care unit: Any admission, planned or unplanned, of the mother to a facility/unit designated as providing intensive care. Serious complications experienced by the mother associated with labor and delivery.
MTR	Y	Y	Maternal Morbidity: Maternal Transfusion	Maternal transfusion: Includes infusion of whole blood or packed red blood cells within the period specified. Serious complications experienced by the mother associated with labor and delivery.
PLAC	Y	Y	Maternal Morbidity: [Third or fourth degree] perineal laceration	Third or fourth degree perineal laceration: 3rd degree laceration extends completely through the perineal skin, vaginal mucosa, perineal body and anal sphincter. 4th degree laceration is all of the above with extension through the rectal mucosa. Serious complications experienced by the mother associated with labor and delivery.
RUT	Y	Y	Maternal Morbidity: Ruptured Uterus	Ruptured Uterus: Tearing of the uterine wall. Serious complications experienced by the mother associated with labor and delivery.



IHE Quality, Research and Public Health Technical Framework Supplement – Birth and Fetal Death Reporting-Enhanced (BFDR-E)

Attribute Name	Used in Birth	Used in Fetal Death	Birth and Fetal Death Report Data Element	Description
UHYS	Y	Y	Maternal Morbidity: Unplanned hysterectomy	Unplanned hysterectomy: Surgical removal of the uterus that was not planned prior to admission for delivery. Includes an anticipated or possible but not definitively planned procedure. Serious complications experienced by the mother associated with labor and delivery.
UOPR	Y	Y	Maternal Morbidity: Unplanned operat[ing]ion [room procedure following delivery]	Unplanned operating room procedure following delivery: Any transfer of the mother back to a surgical area for an operative procedure that was not planned prior to the admission for delivery. Excludes postpartum tubal ligations. Serious complications experienced by the mother associated with labor and delivery.
NOA05	Y	Y	Maternal Morbidity:None of the above  NOTE: NOA05 is also used for onset of labor	None of the listed serious complications experienced by the mother associated with labor and delivery.
PRES	Y	Y	Method of Delivery: Fetal presentation [at birth]: Cephalic	The physical process by which the complete delivery of the fetus was affected. Fetal presentation at birth - Cephalic: Presenting part of the fetus listed as vertex, occiput anterior (OA), occiput posterior (OP); Breech: Presenting part of the fetus listed as breech, complete breech, frank breech, footling breech; Other: Any other presentation not listed above.
ROUT	Y	Y	Method of Delivery: [Final]Route and method of delivery	The physical process by which the complete delivery of the fetus was affected. Includes: Vaginal/spontaneous: delivery of the entire fetus through the vagina by the nature force of labor with or without manual assistance from the delivery attendant; Cesarean: Extraction of the fetus, placenta, and membranes through an incision in the maternal abdominal and uterine walls.
TLAB	Y	Y	Method of Delivery: Trial of labor attempted	If cesarean, indicate if a trial of labor was attempted (labor was allowed, augmented, or induced with plans for a vaginal delivery).
MFNAME	Y	Y	Mother's Current Legal Name: First Name	The current legal first name of the mother.
MMNAME	Y	Y	Mother's Current Legal Name: Middle Name	The current legal middle name of the mother.
MLNAME	Y	Y	Mother's Current Legal Name: Last Name	The current legal last name of the mother.

IHE Quality, Research and Public Health Technical Framework Supplement – Birth and Fetal Death Reporting-Enhanced (BFDR-E)

Attribute Name	Used in Birth	Used in Fetal Death	Birth and Fetal Death Report Data Element	Description
MSUFF	Y	Y	Mother's Current Legal Name: suffix	The current legal name suffix of the mother.
HFT	Y	Y	Mother's Height: Feet	Mother's height feet
HIN	Y	Y	Mother's Height: Inches	Mother's height inches
MRECNM	Y	Y	Mother's medical record number	The mother's medical record number for this facility admission
PWGT	Y	Y	Mother's pre-pregnancy weight	The mother's prepregnancy weight
NFACL	Y	Y	Mother: If Mother transferred for maternal medical or fetal indications for delivery, enter name of facility mother transferred from.	Indicates the name of the facility the mother was transferred from if the mother was transferred from another facility. Transfers include hospital to hospital, birth facility to hospital, etc. Does not include home to hospital.
TRAN	Y	Y	Mother transferred for maternal medical or fetal indications for delivery?	Indicates if the mother was transferred from another facility. Transfers include hospital to hospital, birth facility to hospital, etc. Does not include home to hospital.
DWGT	Y	Y	Mother's weight at delivery	The mother's weight at the time of delivery.
POPO	Y	Y	Number of other pregnancy outcomes	Total number of other pregnancy outcomes that did not result in a live birth. Includes pregnancy losses of any gestation age. Examples: spontaneous or induced losses or ectopic pregnancy.
PLBD	Y	Y	Number of previous live births now dead (do not include this child)	The total number of previous live-born infants now dead.

IHE Quality, Research and Public Health Technical Framework Supplement – Birth and Fetal Death Reporting-Enhanced (BFDR-E)

Attribute Name	Used in Birth	Used in Fetal Death	Birth and Fetal Death Report Data Element	Description
PLBL	Y	Y	Number of previous live births now living (do not include this child)	The total number of previous live-born infants now living.
OWGEST	Y	Y	Obstetric Estimate of Gestation	The best obstetric estimate of the infant’s gestation in completed weeks based on the birth attendant’s final estimate of <b>gestation</b> . This estimate of gestation should be determined by all perinatal factors and assessments such as ultrasound, but not the neonatal exam. Ultrasound taken early in pregnancy is preferred.
CERV	Y	N	Obstetric procedures: Cervical cerclage	Cervical cerclage: Circumferential banding or suture of the cervix to prevent or treat dilation. Includes: MacDonald’s suture; Shirodkar procedure; and Abdominal cerclage via laparotomy. Obstetric procedures: Medical treatment or invasive/manipulative procedure performed during this pregnancy to treat the pregnancy or to manage labor and/or delivery.
ECVF	Y	N	Obstetric procedures: Failed External cephalic Version	Failed External cephalic version: Failed attempt to convert a fetus from a nonvertex to a vertex presentation by external manipulation. Obstetric procedures: Medical treatment or invasive/manipulative procedure performed during this pregnancy to treat the pregnancy or to manage labor and/or delivery.
ECVS	Y	N	Obstetric procedures: Successful External cephalic version	Successful External cephalic version: Successful conversion of a fetus from a nonvertex to a vertex presentation by external manipulation. Obstetric procedures: Medical treatment or invasive/manipulative procedure performed during this pregnancy to treat the pregnancy or to manage labor and/or delivery.
TOC	Y	N	Obstetric procedures: Tocolysis	Tocolysis: Administration of any agent with the intent to inhibit preterm uterine contractions to extend the length of the pregnancy. Medications: Magnesium sulfate (for preterm labor); Terbutaline; Indocin (for preterm labor). Obstetric procedures: Medical treatment or invasive/manipulative procedure performed during this pregnancy to treat the pregnancy or to manage labor and/or delivery.
NOA03	Y	N	Obstetric procedures: None of the above	None of the listed obstetric procedures were performed for medical treatment or invasive/manipulative procedures during this pregnancy to treat the pregnancy or to manage labor and/or delivery.

IHE Quality, Research and Public Health Technical Framework Supplement – Birth and Fetal Death Reporting-Enhanced (BFDR-E)

Attribute Name	Used in Birth	Used in Fetal Death	Birth and Fetal Death Report Data Element	Description
PROM	Y	N	Onset of labor: Premature Rupture	Premature Rupture of the Membranes (prolonged $\geq$ 12 hours): Spontaneous tearing of the amniotic sac, (natural breaking of the “bag of waters”), 12 hours or more before labor begins. Serious complications experienced by the mother associated with labor and delivery.
PRIC	Y	N	Onset of labor: Precipitous Labor	Precipitous labor (<3hours): Labor that progresses rapidly and lasts for less than 3 hours. Serious complications experienced by the mother associated with labor and delivery.
PROL	Y	N	Onset of labor: Prolonged Labor	Prolonged labor ( $\geq$ 20 hours): Labor that progresses slowly and lasts for 20 hours or more. Serious complications experienced by the mother associated with labor and delivery.
NOA05	Y	N	Onset of labor: None of the above NOTE: NOA05 is also used for Maternal Morbidity	None of the listed serious complications experienced by the mother associated with labor and delivery.
SFN	Y	Y	Place where birth occurred: State Facility Number	
FLOC	Y	Y	Place where birth occurred: Facility City/Town	
CNAME	Y	Y	Place where birth occurred: County Name	
CNTYO	Y	Y	Place where birth occurred: County Code	
BPLACE	Y	N	Place where birth occurred: Birth Place	
PLUR	Y	Y	Plurality	The number of fetuses delivered live or dead at any time in the pregnancy regardless of gestational age or if the fetuses were delivered at different dates in the pregnancy. (“Reabsorbed” fetuses, those which are not “delivered” (expulsed or extracted from the mother) should not be counted.)
DOFP_MO	Y	Y	Prenatal care visits: Date of first prenatal care visit: Month	The month a physician or other health care professional first examined and/or counseled the pregnant woman for the pregnancy.

IHE Quality, Research and Public Health Technical Framework Supplement – Birth and Fetal Death Reporting-Enhanced (BFDR-E)

Attribute Name	Used in Birth	Used in Fetal Death	Birth and Fetal Death Report Data Element	Description
DOFP_DY	Y	Y	Date of first prenatal care visit: Day	The day a physician or other health care professional first examined and/or counseled the pregnant woman for the pregnancy.
DOFP_YR	Y	Y	Date of first prenatal care visit: Year	The year a physician or other health care professional first examined and/or counseled the pregnant woman for the pregnancy.
NPREV	Y	Y	Prenatal care visits: Total number of prenatal visits for this pregnancy	The total number of visits recorded in the record.
PAY	Y	N	Principal source of payment for this delivery	The principal source of payment at the time of delivery: Includes: Private insurance (Blue Cross/Blue Shield, Aetna, etc.); Medicaid (or a comparable State program); Self-pay (no third party identified); Other (Indian Health Service, CHAMPUS/ TRICARE, other government [Federal, State, local]); Unknown
PDIAB	Y	Y	Risk factors in this pregnancy: Prepregnancy Diabetes	Prepregnancy Diabetes (diagnosis of glucose intolerance requiring treatment before this pregnancy).
GDIAB	Y	Y	Risk factors in this pregnancy: Gestational Diabetes	Gestational Diabetes (diagnosis of glucose intolerance requiring treatment during this pregnancy).
PHYPE	Y	Y	Risk factors in this pregnancy: Prepregnancy Hypertension	Prepregnancy (Chronic) Hypertension (Elevation of blood pressure above normal for age, gender, and physiological condition with diagnosis prior to the onset of this pregnancy. Does not include gestational (pregnancy induced) hypertension (PIH).)
GHYPE	Y	Y	Risk factors in this pregnancy: Gestational Hypertension	Gestational Hypertension (Elevation of blood pressure above normal for age, gender, and physiological condition with diagnosis in this pregnancy (pregnancy-induced hypertension or preeclampsia).
EHYPE	Y	Y	Risk factors in this pregnancy: Eclampsia	Eclampsia Hypertension (Elevation of blood pressure above normal for age, gender, and physiological condition with proteinuria with generalized seizures or coma. May include pathologic edema.

IHE Quality, Research and Public Health Technical Framework Supplement – Birth and Fetal Death Reporting-Enhanced (BFDR-E)

Attribute Name	Used in Birth	Used in Fetal Death	Birth and Fetal Death Report Data Element	Description
PPB	Y	Y	Risk factors in this pregnancy: Previous preterm births	History of pregnancy(ies) terminating in a live birth of less than 37 completed weeks of gestation.
INFT	Y	Y	Risk factors in this pregnancy: Infertility treatment	Any assisted reproductive treatment used to initiate the pregnancy. Includes: Drugs (such as Clomid, Pergonal); Artificial insemination; Technical procedures (such as in-vitro fertilization).
INFT_DRG	Y	Y	Risk factors in this pregnancy: Infertility: Fertility Enhancing Drugs, AI	Fertility-enhancing drugs, artificial insemination or intrauterine insemination Any fertility enhancing drugs (e.g., Clomid, Pergonal), artificial insemination or intrauterine insemination used to initiate the pregnancy.
INFT_ART	Y	Y	Risk factors in this pregnancy: Infertility: Asst. Rep. Technology	Assisted reproductive technology (e.g., in vitro fertilization (IVF), gamete intrafallopian transfer (GIFT)) Any assisted reproductive technology (ART/technical procedures (e.g., IVF, GIFT, ZIFT)) used to initiate the pregnancy.
PCES	Y	Y	Risk factors in this pregnancy: Previous cesarean	Previous delivery by extracting the fetus, placenta, and membranes through an incision in the mother’s abdominal and uterine walls.
NPCES	Y	Y	Risk factors in this pregnancy: Number of previous cesareans	Number of previous deliveries extracting the fetus, placenta, and membranes through an incision in the mother’s abdominal and uterine walls.
NOA01	Y	Y	Risk factors in this pregnancy: None of the above	The patient had none of the listed risk factors in this pregnancy.
SORD	Y	Y	Set Order	Order this infant was delivered in the set.
FSEX	Y	N	Child: (infant) Sex -	The sex of the infant.
FDOD_YR	N	Y		Date of Delivery (Fetus) Year
FDOD_MO	N	Y		Date of Delivery (Fetus) Month

IHE Quality, Research and Public Health Technical Framework Supplement – Birth and Fetal Death Reporting-Enhanced (BFDR-E)

Attribute Name	Used in Birth	Used in Fetal Death	Birth and Fetal Death Report Data Element	Description
FDOD_DY	N	Y		Date of Delivery (Fetus) Day
ETIME	N	Y	Estimated Time of Fetal Death	Item to indicate when the fetus died with respect to labor and assessment.
LIVEB	Y	N	Not single birth - specify number of infants in this delivery born alive.	Specify the number of infants in this delivery born alive
FDTH	N	Y	Number of fetal deaths	Specify the number of fetal deaths in this delivery
HYST	N	Y	Method of Delivery: Hysterotomy/Hysterectomy?	Hysterotomy/Hysterectomy was the physical process by which the complete delivery of the fetus was affected.  Hysterotomy: Incision into the uterus extending into the uterine cavity. May be performed vaginally or transabdominally. Hysterectomy: Surgical removal of the uterus. May be performed abdominally or vaginally.
TD	N	Y	Time of delivery	Hour and minute fetus was delivered.
AUTOP	N	Y	Was an autopsy performed?	Information on whether or not an autopsy was performed
FWO	N	Y	Weight of Fetus (in ounces)	Fetus' weight in ounces.
FWG	N	Y	Weight of Fetus (grams preferred, specify unit)	Fetus' weight in grams.
FWP	N	Y	Weight of Fetus (in pounds)	Fetus' weight in pounds.
LM	N	Y	Infections present and treated during this pregnancy: Listeria	Listeria: A diagnosis of or positive test for Listeria monocytogenes. Infections present at the time of the pregnancy diagnosis or a confirmed diagnosis during the pregnancy with or without documentation of treatment. Documentation of treatment during this pregnancy is adequate if a definitive diagnosis is not present in the available record.
GBS	N	Y	Infections present and treated during this pregnancy: Group B Streptococcus	Group B Streptococcus: A diagnosis of or positive test for Streptococcus agalactiae or group B streptococcus. Infections present at the time of the pregnancy diagnosis or a confirmed diagnosis during the pregnancy with or without documentation of treatment. Documentation of treatment during this pregnancy is adequate if a definitive diagnosis is not present in the available record.

IHE Quality, Research and Public Health Technical Framework Supplement – Birth and Fetal Death Reporting-Enhanced (BFDR-E)

Attribute Name	Used in Birth	Used in Fetal Death	Birth and Fetal Death Report Data Element	Description
CMV	N	Y	Infections present and treated during this pregnancy: Cytomeglovirus	Cytomegalovirus (CMV): A diagnosis of or positive test for Cytomegalovirus. Infections present at the time of the pregnancy diagnosis or a confirmed diagnosis during the pregnancy with or without documentation of treatment. Documentation of treatment during this pregnancy is adequate if a definitive diagnosis is not present in the available record.
B19	N	Y	Infections present and treated during this pregnancy: Parvovirus	Parvovirus: A diagnosis of or positive test for Parvovirus B19. Infections present at the time of the pregnancy diagnosis or a confirmed diagnosis during the pregnancy with or without documentation of treatment. Documentation of treatment during this pregnancy is adequate if a definitive diagnosis is not present in the available record
HISTOP	N	Y	Was a Histological Placental Examination performed?	Information on whether or not a histological placental examination was performed
TOXO	N	Y	Infections present and treated during this pregnancy: Toxoplasmosis	Toxoplasmosis: A diagnosis of or positive test for Toxoplasma gondii.
COD18a1	N	Y	Initiating Cause/Condition - Rupture of membranes prior to onset of labor	NA
COD18a2	N	Y	Initiating Cause/Condition - Abruptio placenta	NA
COD18a3	N	Y	Initiating Cause/Condition - Placental insufficiency	NA
COD18a4	N	Y	Initiating Cause/Condition - Prolapsed cord	NA
COD18a5	N	Y	Initiating Cause/Condition - Chorioamnionitis	NA
COD18a6	N	Y	Initiating Cause/Condition - Other complications of placenta, cord, or membranes	NA
COD18a7	N	Y	Initiating Cause/Condition - Unknown	NA



IHE Quality, Research and Public Health Technical Framework Supplement – Birth and Fetal Death Reporting-Enhanced (BFDR-E)

Attribute Name	Used in Birth	Used in Fetal Death	Birth and Fetal Death Report Data Element	Description
COD18a8	N	Y	Initiating Cause/Condition - Maternal conditions/diseases literal	NA
COD18a9	N	Y	Initiating Cause/Condition - Other complications of placenta, cord, or membranes literal	NA
COD18a10	N	Y	Initiating Cause/Condition - Other obstetrical or pregnancy complications literal	NA
COD18a11	N	Y	Initiating Cause/Condition - Fetal anomaly literal	NA
COD18a12	N	Y	Initiating Cause/Condition - Fetal injury literal	NA
COD18a13	N	Y	Initiating Cause/Condition - Fetal infection literal	NA
COD18a14	N	Y	Initiating Cause/Condition - Other fetal conditions/disorders literal	NA
COD18b1	N	Y	Other Significant Cause/Condition - Rupture of membranes prior to onset of labor	NA
COD18b2	N	Y	Other Significant Cause/Condition - Abruptio placenta	NA
COD18b3	N	Y	Other Significant Cause/Condition - Placental insufficiency	NA
COD18b4	N	Y	Other Significant Cause/Condition - Prolapsed cord	NA
COD18b5	N	Y	Other Significant Cause/Condition - Chorioamnionitis	NA

IHE Quality, Research and Public Health Technical Framework Supplement – Birth and Fetal Death Reporting-Enhanced (BFDR-E)

Attribute Name	Used in Birth	Used in Fetal Death	Birth and Fetal Death Report Data Element	Description
COD18b6	N	Y	Other Significant Cause/Condition - Other complications of placenta, cord, or membranes	NA
COD18b7	N	Y	Other Significant Cause/Condition - Unknown	NA
COD18b8	N	Y	Other Significant Cause/Condition - Maternal conditions/diseases literal	NA
COD18b9	N	Y	Other Significant Cause/Condition - Other complications of placenta, cord, or membranes literal	NA
COD18b10	N	Y	Other Significant Cause/Condition - Other obstetrical or pregnancy complications literal	NA
COD18b11	N	Y	Other Significant Cause/Condition - Fetal anomaly literal	NA
COD18b12	N	Y	Other Significant Cause/Condition - Fetal injury literal	NA
COD18b13	N	Y	Other Significant Cause/Condition - Fetal infection literal	NA
COD18b14	N	Y	Other fetal conditions/disord Other Significant Cause/Condition - ers literal	NA

## Volume 2 – Transactions

1410 *Add Section 3.37*

### 3.37 BFDRFeed [QRPH-37]

#### 3.37.1 Scope

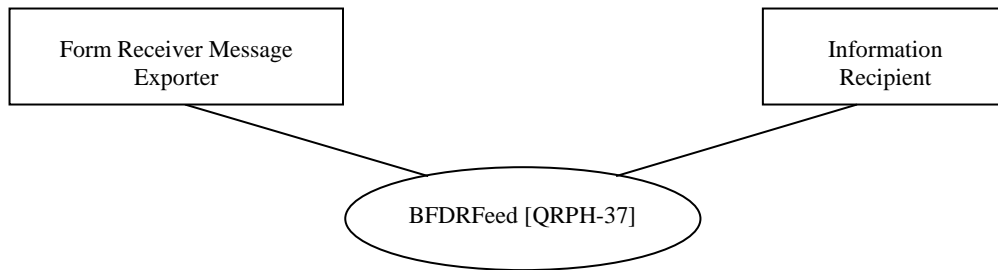
1415 This transaction is used to communicate clinician-sourced birth and fetal death information from the Information Source to the Information Recipient. This transaction may alternatively be initiated by a Form Receiver Message Exporter and communicated to the Information Recipient. This transaction uses the Health Level Seven International (HL7) Version 2.5.1 Implementation Guide (IG): Reporting Birth and Fetal Death information From the EHR to Vital Records Draft Standard for Trial Use (DSTU).

#### 3.37.2 Actor Roles



1420

**Figure 3.37.2-1: Use Case Diagram between Information Source and Information Recipient**



1425 **Figure 3.37.2-2: Use Case Diagram between Form Receiver Message Exporter and Information Recipient**

The Roles in this transaction are defined in the following table and may be played by the actors shown here:

1430 **Table 3.37.2-1: Actor Roles**

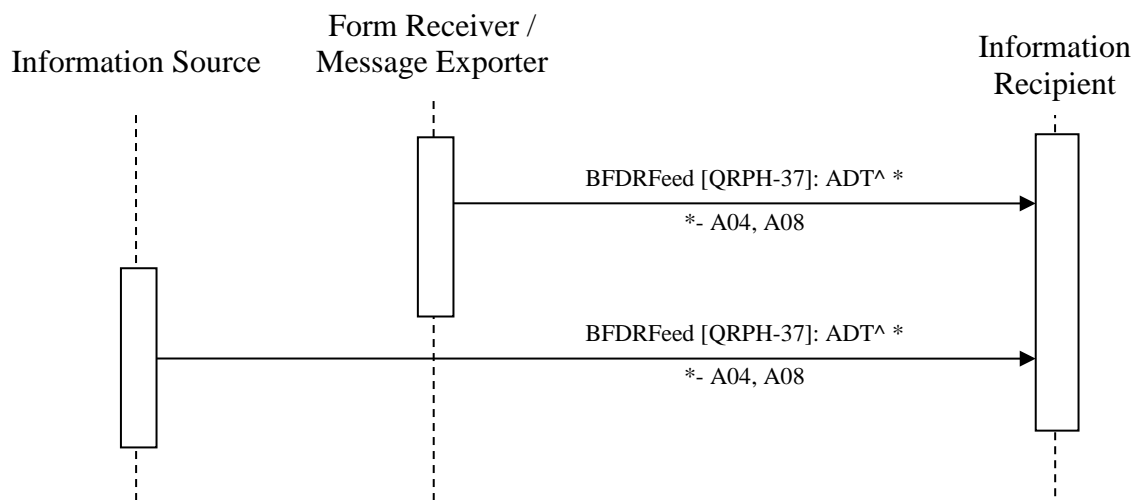
<b>Actor:</b>	Information Source
<b>Role:</b>	The Information Source Actor is responsible for creating and transmitting an HL7 V2.5.1 message to an Information Recipient.
<b>Actor:</b>	Information Recipient
<b>Role:</b>	The Information Recipient Actor is responsible for receiving the HL7 V2.5.1 message from an Information Source or from a Form Receiver Message Exporter.
<b>Actor:</b>	Form Receiver Message Exporter
<b>Role:</b>	The Form Receiver Message Exporter receives data submitted through the Submit Form Transaction (ITI-35), transforms that data to be in compliance with the requirements of the HL7 V.2.5.1 BFDR transaction (QRPH-37) and sends that data to an Information Recipient using QRPH-37.

### 3.37.3 Referenced Standards

- 1435 1. Health Level Seven International (HL7) Version 2.5.1 Implementation Guide (IG): Reporting Birth and Fetal Death information From the EHR to Vital Records Draft Standard for Trial Use (DSTU)

2. Birth Edit Specifications for the 2003 Revision of the U.S. Standard Certificate of Live Birth
3. Fetal Death Edit Specifications for the 2003 Revision of the U.S. Standard Report of Fetal Death

1440 **3.37.4 Interaction Diagram**



**3.37.4.1 BFDRFeed [QRPH-37]**

1445 This transaction transmits the HL7 V2.5.1 formatted message containing the clinician-sourced birth and fetal death information from Information Source or the Form Receiver / Message Exporter to the Information Recipient. A given Information Recipient implemented at a public health jurisdiction may receive this transaction from multiple sources.

**3.37.4.1.1 Trigger Events**

1450 When a delivery has been documented in the system, an Information Source Actor will trigger one of the Admit/Register or Update messages:

- A04 – Report Birth Information Record
- A04 - Report Fetal Death Information Record (NOTE: there may not be a patient chart for a fetal death, but this is not an issue for surfacing the form)

1455 Changes to patient demographics (e.g., change in patient name, patient address, etc.) or updating previously transmitted information about a live birth or fetal death to Vital Records shall trigger the following Admit/Register or Update message:

- A08 – Revise Birth Information Record
- A08 - Revise Fetal Death Information Record

**3.37.4.1.2 Message Semantics**

1460 The segments of the message listed below are required, and their detailed descriptions are provided in the following subsections.

Required segments for the BFDRFeed [QRPH-37] are defined below. Other segments are optional. This transaction requires Information Source Actors to include some attributes not already required by the corresponding HL7 message. This transaction does not require

1465 Information Recipient Actors to attributes beyond what is required by the corresponding HL7 message.

**Table 3.37.4.1.2-1: BFDRFeed [QRPH-37]**

ADT	Patient Administration Message	Optionality	Chapter in HL7 BFDR V2.5.1 IG
MSH	Message Header	R	5.1
SFT	Software Segment	R	5.2
EVN	Event Type	R	5.5
PID	Patient Identification	R	5.6
NK1	Next of Kin/Associated Parties	R	5.7
PV1	Patient Visit Information	R	5.8
ROL	Role	R	5.9
OBX	Observation/Result	R	5.10
MSA	Acknowledgement	R	5.3
ERR	Error	R	5.4

1470 **3.37.4.1.2.1 MSH Segment**

The Information Source SHALL populate MSH segment. The Information Recipient SHALL have the ability to accept and process this segment.

MSH segment shall be constructed as defined in ITI TF-2x: C.2.2 “Message Control”.

**3.37.4.1.2.2 SFT Segment**

1475 The Information Source SHALL populate SFT segment. The Information Recipient SHALL have the ability to accept and process this segment.

1480 No further constraints are required of the SFT segment from the corresponding HL7 message (Health Level Seven International (HL7) Version 2.5.1 Implementation Guide (IG): Reporting Birth and Fetal Death information From the EHR to Vital Records Draft Standard for Trial Use (DSTU)).

### 3.37.4.1.2.3 EVN Segment

The Information Source SHALL populate EVN segment. The Information Recipient SHALL have the ability to accept and process this segment.

1485 See ITI TF-2x: C.2.4 for the list of all required and optional fields within the optional EVN segment.

### 3.37.4.1.2.4 PID Segment

The Information Source SHALL populate the PID segment. The Information Recipient SHALL have the ability to accept and process this segment.

1490 In order to allow for consistency with environments that support IHE ITI PIX or IHE ITI PDQ, the PID segment shall be constructed to be consistent with ITI TF-2a: 3.8.4.1.2.3 as described below.

1495 Bolded text in the table below highlights areas in this profile that are different from the underlying HL7 message (Health Level Seven International (HL7) Version 2.5.1 Implementation Guide (IG): Reporting Birth and Fetal Death information From the EHR to Vital Records Draft Standard for Trial Use (DSTU)).

**Table 3.37.4.1.2.4-1: IHE Profile - PID segment**

SEQ	LEN	DT	OPT	TBL#	ITEM #	ELEMENT NAME	Description/ Comments
1	4	SI	R		00104	Set ID - Patient ID	Literal Value: '1'.
2	20	CX	X		00105	Patient ID	Deprecated as of HL7 Version 2.3.1. See PID-3 Patient Identifier List.
3	250	CX	R		00106	Patient Identifier List	Field used to convey all types of patient/person identifiers. Use of the Medical Record Number is expected if the birth or fetal death takes place in a hospital, or the baby is admitted to one.
4	20	CX	X		00107	Alternate Patient ID	Deprecated as of HL7 Version 2.3.1. See PID-3.

IHE Quality, Research and Public Health Technical Framework Supplement – Birth and Fetal Death Reporting-Enhanced (BFDR-E)

SEQ	LEN	DT	OPT	TBL#	ITEM #	ELEMENT NAME	Description/ Comments
5	250	XPN	R		00108	Patient Name	New born name. In the case of fetal death reporting, a name may be provided at the discretion of the parents. When the name is not provided, a value must still be placed in this field since the field is required. In that case, HL7 recommends the following:  ~^^^^^^U . The "U" for the name type code in the second name indicates that it is unspecified. Since there may be no name components populated, this means there is no legal name, nor is there an alias. This guide will interpret this sequence to mean there is no newborn or fetus name.
6	250	XPN	R2		00109	Mother's Maiden Name	<b>Not supported in IG, but Optional in PIX</b> <b>When the attribute is populated, the Information receiver shall either accept this information or ignore the attribute, but SHALL NOT raise an application error</b>
7	26	TS	R2		00110	Date/Time of Birth	Newborn's date and time of birth, or (for fetal death reporting) the delivery date and time of delivery of the fetus. Format: YYYY[MM[DD[HH[M M[SS[.S[S[S]]]]]]]] [+/-ZZZZ]
8	1	IS	R2	0001	00111	Administrative Sex	Sex of the newborn or of the fetus.
9	250	XPN	X		00112	Patient Alias	Deprecated as of HL7 Version 2.4. See PID-5 Patient Name.



IHE Quality, Research and Public Health Technical Framework Supplement – Birth and Fetal Death Reporting-Enhanced (BFDR-E)

SEQ	LEN	DT	OPT	TBL#	ITEM #	ELEMENT NAME	Description/ Comments
10	250	CE	O	0005	00113	Race	<b>Not supported in IG, but Optional in PIX</b> <b>When the attribute is populated, the Information receiver shall either accept this information or ignore the attribute, but SHALL NOT raise an application error</b>
11	250	XAD	R2		00114	Patient Address	Address type code = Birth Address. Only use the field, if the birth or fetal delivery does not take place in a healthcare facility. When used, the field captures the place of birth, or the place of fetal delivery. Street address, city, state and zip code are expected. If descriptive information is provided instead of an address, the Other Geographic Designation component of the XAD data type is used. Note, either PID.11 or ROL.11 may be used to record the place of birth or delivery depending on circumstances.
12	4	IS	X	0289	00115	County Code	Deprecated as of HL7 Version 2.3. See PID-11 - Patient Address, component 9 County/Parish Code.
13	250	XTN	O		00116	Phone Number – Home	<b>Not supported in IG, but Optional in PIX</b> <b>When the attribute is populated, the Information receiver shall either accept this information or ignore the attribute, but SHALL NOT raise an application error</b>

IHE Quality, Research and Public Health Technical Framework Supplement – Birth and Fetal Death Reporting-Enhanced (BFDR-E)

SEQ	LEN	DT	OPT	TBL#	ITEM #	ELEMENT NAME	Description/ Comments
14	250	XTN	O		00117	Phone Number - Business	Not supported in IG, but Optional in PIX When the attribute is populated, the Information receiver shall either accept this information or ignore the attribute, but SHALL NOT raise an application error
15	250	CE	O	0296	00118	Primary Language	Not supported in IG, but Optional in PIX When the attribute is populated, the Information receiver shall either accept this information or ignore the attribute, but SHALL NOT raise an application error
16	250	CE	O	0002	00119	Marital Status	Not supported in IG, but Optional in PIX Not expected for newborns, but if the attribute is populated, the Information receiver shall either accept this information or ignore the attribute, but SHALL NOT raise an application error
17	250	CE	O	0006	00120	Religion	Not supported in IG, but Optional in PIX When the attribute is populated, the Information receiver shall either accept this information or ignore the attribute, but SHALL NOT raise an application error
18	250	CX	O		00121	Patient Account Number	Not supported in IG, but Optional in PIX When the attribute is populated, the Information receiver shall either accept this information or ignore the attribute, but SHALL NOT raise an application error

IHE Quality, Research and Public Health Technical Framework Supplement – Birth and Fetal Death Reporting-Enhanced (BFDR-E)

SEQ	LEN	DT	OPT	TBL#	ITEM #	ELEMENT NAME	Description/ Comments
19	16	ST	X		00122	SSN Number – Patient	Deprecated as of HL7 Version 2.3.1. See PID-3 Patient Identifier List.
20	25	DLN	X		00123	Driver's License Number - Patient	Deprecated as of HL7 Version 2.5. See PID-3 Patient Identifier List.
21	250	CX	O		00124	Mother's Identifier	<b>Not supported in IG, but Optional in PIX</b> When the attribute is populated, the Information receiver shall either accept this information or ignore the attribute, but <b>SHALL NOT</b> raise an application error
22	250	CE	O	0189	00125	Ethnic Group	<b>Not supported in IG, but Optional in PIX</b> When the attribute is populated, the Information receiver shall either accept this information or ignore the attribute, but <b>SHALL NOT</b> raise an application error
23	250	ST	O		00126	Birth Place	<b>Not supported in IG, but Optional in PIX</b> When the attribute is populated, the Information receiver shall either accept this information or ignore the attribute, but <b>SHALL NOT</b> raise an application error
24	1	ID	O	0136	00127	Multiple Birth Indicator	Indicates whether the baby or fetus was part of a multiple birth.
25	2	NM	O		00128	Birth Order	Indicate the order delivered in the pregnancy of the baby or fetus, aka “Set Number”. Leave the field empty for singleton births or deliveries.

IHE Quality, Research and Public Health Technical Framework Supplement – Birth and Fetal Death Reporting-Enhanced (BFDR-E)

SEQ	LEN	DT	OPT	TBL#	ITEM #	ELEMENT NAME	Description/ Comments
26	250	CE	O	0171	00129	Citizenship	Not supported in IG, but Optional in PIX When the attribute is populated, the Information receiver shall either accept this information or ignore the attribute, but SHALL NOT raise an application error
27	250	CE	O	0172	00130	Veterans Military Status	Not supported in IG, but Optional in PIX When the attribute is populated, the Information receiver shall either accept this information or ignore the attribute, but SHALL NOT raise an application error
28	250	CE	X	0212	00739	Nationality	Deprecated as of HL7 Version 2.4. See PID-10 Race, PID-22 Ethnic Group, and PID-26 Citizenship.
29	26	TS	R2		00740	Patient Death Date and Time	Not supported in IG, but Conditional in PIX When the attribute is populated, the Information receiver shall either accept this information or ignore the attribute, but SHALL NOT raise an application error
30	1	ID	O	0136	00741	Patient Death Indicator	Not supported in IG, but Conditional in PIX When the attribute is populated, the Information receiver shall either accept this information or ignore the attribute, but SHALL NOT raise an application error

IHE Quality, Research and Public Health Technical Framework Supplement – Birth and Fetal Death Reporting-Enhanced (BFDR-E)

SEQ	LEN	DT	OPT	TBL#	ITEM #	ELEMENT NAME	Description/ Comments
31			O			Identity Unknown Indicator	Not supported in IG, but Conditional in PIX When the attribute is populated, the Information receiver shall either accept this information or ignore the attribute, but SHALL NOT raise an application error
32			O			Identity Reliability Code	Not supported in IG, but Conditional in PIX When the attribute is populated, the BFDR Information receiver shall either accept this information or ignore the attribute, but SHALL NOT raise an application error
33			O			Last Update Date/Time	Not supported in IG, but Conditional in PIX When the attribute is populated, the Information receiver shall either accept this information or ignore the attribute, but SHALL NOT raise an application error
34			O			Last Update Facility	Not supported in IG, but Optional in PIX When the attribute is populated, the Information receiver shall either accept this information or ignore the attribute, but SHALL NOT raise an application error
35			O			Species Code	Not supported in IG, but Conditional in PIX When the attribute is populated, the Information receiver shall either accept this information or ignore the attribute, but SHALL NOT raise an application error

SEQ	LEN	DT	OPT	TBL#	ITEM #	ELEMENT NAME	Description/ Comments
36			O			Breed Code	Not supported in IG, but Conditional in PIX When the attribute is populated, the Information receiver shall either accept this information or ignore the attribute, but SHALL NOT raise an application error
37			O			Strain	Not supported in IG, but Optional in PIX When the attribute is populated, the Information receiver shall either accept this information or ignore the attribute, but SHALL NOT raise an application error
38			O			Production Class Code	Not supported in IG, but Optional in PIX When the attribute is populated, the Information receiver shall either accept this information or ignore the attribute, but SHALL NOT raise an application error
39			O			Tribal Citizenship	Not supported in IG, but Optional in PIX When the attribute is populated, the Information receiver shall either accept this information or ignore the attribute, but SHALL NOT raise an application error

Adapted from the HL7 standard, Version 2.5.1

1500 This message shall use the field PID-3 Patient Identifier List to convey the Patient ID uniquely identifying the patient within a given Patient Identification Domain.

The Information Source Actor shall provide the patient identifier in the ID component (first component) of the PID-3 field (PID-3.1). The Information Source Actor shall use component PID-3.4 to convey the assigning authority (Patient Identification Domain) of the patient

1505 identifier. Either the first subcomponent (namespace ID) or the second and third subcomponents (universal ID and universal ID type) shall be populated. If all three subcomponents are populated, the first subcomponent shall reference the same entity as is referenced by the second and third components.

#### **3.37.4.1.2.5 NK1 Segment**

1510 The Information Source SHALL populate NK1 segment. The Information Recipient SHALL have the ability to accept and process this segment.

1515 No further constraints are required of the NK1 segment from the corresponding HL7 message (Health Level Seven International (HL7) Version 2.5.1 Implementation Guide (IG): Reporting Birth and Fetal Death information From the EHR to Vital Records Draft Standard for Trial Use (DSTU)).

#### **3.37.4.1.2.6 PV1 Segment**

The Information Source SHALL populate PV1 segment. The Information Recipient SHALL have the ability to accept and process this segment.

1520 No further constraints are required of the PV1 segment from the corresponding HL7 message (Health Level Seven International (HL7) Version 2.5.1 Implementation Guide (IG): Reporting Birth and Fetal Death information From the EHR to Vital Records Draft Standard for Trial Use (DSTU)).

#### **3.37.4.1.2.7 ROL Segment**

1525 The Information Source SHALL populate ROL segment. The Information Recipient SHALL have the ability to accept and process this segment.

No further constraints are required of the ROL segment from the corresponding HL7 message (Health Level Seven International (HL7) Version 2.5.1 Implementation Guide (IG): Reporting Birth and Fetal Death information From the EHR to Vital Records Draft Standard for Trial Use (DSTU)).

#### **3.37.4.1.2.8 OBX Segment**

The Information Source SHALL populate OBX segment. All OBX observations SHALL be included. If there are no observations available (e.g., injury information, cause of death), then the appropriate flavor of NULL SHALL be communicated. The Information Recipient SHALL have the ability to accept and process this segment.

1535 No further constraints are required of the OBX segment from the corresponding HL7 message (Health Level Seven International (HL7) Version 2.5.1 Implementation Guide (IG): Reporting Birth and Fetal Death information From the EHR to Vital Records Draft Standard for Trial Use (DSTU)).

### 3.37.4.1.3 Expected Actions

1540 **3.37.4.1.3.1 ACK**

Having received the ADT message from the Information Source, the Information Recipient SHALL parse this message and integrate its content, and then an applicative acknowledgement message is sent back to the Information Source. This General Acknowledgement Message ACK SHALL be built according to the HL7 V2.5.1 standard, following the acknowledgement rules described in IHE ITI TF-2:C.2.3 (IHE IT I TF-2: Appendix C.2.3).

1545

### 3.37.5 Security Considerations

#### 3.37.5.1 Security Audit Considerations BFDRFeed [QRPH-37] (ADT)

The QRPH-37 (ADT) transactions are to be audited as “PHI Export” events, as defined in ITI TF-2a: Table 3.20.6-1. The actors involved in the transaction shall create audit data in conformance with DICOM (Supp 95) “Export”. The following tables show items that are required to be part of the audit record for these specific BFDRFeed transactions.

1550

#### 3.37.5.1.1 Information Source Actor audit message

	Field Name	Opt	Value Constraints
<b>Event AuditMessage / EventIdentification</b>	EventID	M	EV(110106, DCM, “Export”)
	EventActionCode	M	“C” (create)
	EventDateTime	M	not specialized
	EventOutcomeIndicator	M	not specialized
	EventTypeCode	M	EV(“QRPH-37”, “IHE Transactions”, “BFDRFeed”)
Source (Information Source Actor) (1)			
Human Requestor (0..n)			
Destination (Information Recipient Actor) (1)			
Audit Source (Information Source Actor) (1)			
Patient (1)			

1555

Where:



IHE Quality, Research and Public Health Technical Framework Supplement – Birth and Fetal Death Reporting-Enhanced (BFDR-E)

<b>Source AuditMessage/ ActiveParticipant</b>	UserID	M	The identity of the Information Source Actor facility and sending application from the HL7 message; concatenated together, separated by the   character.
	AlternativeUserID	M	The process ID as used within the local operating system in the local system logs.
	<i>UserName</i>	<i>U</i>	<i>not specialized</i>
	UserIsRequestor	M	<i>not specialized</i>
	RoleIDCode	M	EV(110153, DCM, "Source")
	NetworkAccessPointTypeCode	M	"1" for machine (DNS) name, "2" for IP address
	NetworkAccessPointID	M	The machine name or IP address, as specified in RFC 3881.

<b>Human Requestor (if known) AuditMessage/ ActiveParticipant</b>	UserID	M	Identity of the human that initiated the transaction.
	<i>AlternativeUserID</i>	<i>U</i>	<i>not specialized</i>
	<i>UserName</i>	<i>U</i>	<i>not specialized</i>
	UserIsRequestor	M	<i>not specialized</i>
	RoleIDCode	U	Access Control role(s) the user holds that allows this transaction.
	<i>NetworkAccessPointTypeCode</i>	<i>NA</i>	
	<i>NetworkAccessPointID</i>	<i>NA</i>	

<b>Destination AuditMessage/ ActiveParticipant</b>	UserID	M	The identity of the Information Recipient Public Health Organization and receiving application from the HL7 message; concatenated together, separated by the   character.
	<i>AlternativeUserID</i>	<i>M</i>	<i>not specialized</i>
	<i>UserName</i>	<i>U</i>	<i>not specialized</i>
	<i>UserIsRequestor</i>	<i>M</i>	<i>not specialized</i>
	RoleIDCode	M	EV(110152, DCM, "Destination")
	NetworkAccessPointTypeCode	M	"1" for machine (DNS) name, "2" for IP address
	NetworkAccessPointID	M	The machine name or IP address, as specified in RFC 3881.

<b>Audit Source AuditMessage/ AuditSourceIdentification</b>	<i>AuditSourceID</i>	<i>U</i>	<i>not specialized</i>
	<i>AuditEnterpriseSiteID</i>	<i>U</i>	<i>not specialized</i>
	<i>AuditSourceTypeCode</i>	<i>U</i>	<i>not specialized</i>

1560

<b>Patient</b>	ParticipantObjectTypeCode	M	"1" (person)
----------------	---------------------------	---	--------------

	ParticipantObjectTypeCodeRole	M	“1” (patient)
	<i>ParticipantObjectDataLifeCycle</i>	U	<i>not specialized</i>
	ParticipantObjectIDTypeCode	M	EV(2, RFC-3881, “Patient Number”)
	<i>ParticipantObjectSensitivity</i>	U	<i>not specialized</i>
	ParticipantObjectID	M	The patient ID in HL7 CX format.
	<i>ParticipantObjectName</i>	U	<i>not specialized</i>
	<i>ParticipantObjectQuery</i>	U	<i>not specialized</i>
	<i>ParticipantObjectDetail</i>	M	Type=MSH-10 (the literal string), Value=the value of MSH-10 (from the message content, base64 encoded)

### 3.37.5.1.2 Information Recipient Actor audit message

	Field Name	Opt	Value Constraints
<b>Event AuditMessage / EventIdentification</b>	EventID	M	EV(110107, DCM, “Import”)
	EventActionCode	M	“C” (create)
	EventDateTime	M	not specialized
	EventOutcomeIndicator	M	not specialized
	EventTypeCode	M	EV(“QRPH-37”, “IHE Transactions”, “BFDRFeed”)
Source (Information Source Actor) (1)			
Destination (Information Recipient Actor) (1)			
Audit Source (Information Recipient Actor) (1)			
Patient(1)			

Where:

<b>Source AuditMessage/ActiveParticipant</b>	UserID	M	The identity of the Information Source Actor facility and sending application from the HL7 message; concatenated together, separated by the   character.
	<i>AlternativeUserID</i>	U	<i>not specialized</i>
	<i>UserName</i>	U	<i>not specialized</i>
	UserIsRequestor	M	<i>not specialized</i>
	RoleIDCode	M	EV(110153, DCM, “Source”)
	NetworkAccessPointTypeCode	M	“1” for machine (DNS) name, “2” for IP address
	NetworkAccessPointID	M	The machine name or IP address, as specified in RFC 3881.

1565

<b>Destination AuditMessage/ActiveParticipant</b>	UserID	M	The identity of the Information Recipient Public Health Organization and receiving application from the HL7 message; concatenated together, separated by the   character.
---	--------	---	---

	AlternativeUserID	M	The process ID as used within the local operating system in the local system logs.
	UserName	U	not specialized
	UserIsRequestor	M	not specialized
	RoleIDCode	M	EV(110152, DCM, “Destination”)
	NetworkAccessPointTypeCode	M	“1” for machine (DNS) name, “2” for IP address
	NetworkAccessPointID	M	The machine name or IP address, as specified in RFC 3881.

<b>Audit Source</b> <b>AuditMessage/AuditSourceIdentification</b>	AuditSourceID	U	Not specialized.
	AuditEnterpriseSiteID	U	not specialized
	AuditSourceTypeCode	U	not specialized

<b>Patient</b> <b>(AuditMessage/ParticipantObjectIdentification)</b>	ParticipantObjectTypeCode	M	“1” (person)
	ParticipantObjectTypeCodeRole	M	“1” (patient)
	ParticipantObjectDataLifeCycle	U	not specialized
	ParticipantObjectIDTypeCode	M	EV(2, RFC-3881, “Patient Number”)
	ParticipantObjectSensitivity	U	not specialized
	ParticipantObjectID	M	The patient ID in HL7 CX format.
	ParticipantObjectName	U	not specialized
	ParticipantObjectQuery	U	not specialized
	ParticipantObjectDetail	M	Type=MSH-10 (the literal string), Value=the value of MSH-10 (from the message content, base64 encoded)

### 3.Y.5.2 Security Audit Considerations – Retrieve Form [ITI-34] audit message

1570 When the Retrieve Form Transaction in the Birth and Fetal Death Reporting Profile is supporting a PHI-Export event, as defined in ITI TF-2a: Table 3.20.6-1, the actors involved in the transaction SHALL create audit log data in conformance with Retrieve Form ([ITI-34]) audit messages as defined in QRPH 5.Z.3.1 Retrieve Form ([ITI-34]) audit messages where such PHI Audit required by Jurisdictional Law.

### 1575 3.Y.5.3 Security Audit Considerations – Submit Form ([ITI-35]) audit messages

The Submit Form Transaction MAY be a PHI-Export event, as defined in ITI TF-2a: Table 3.20.6-1. The actors involved in the transaction SHALL create audit data in conformance with Retrieve Form ([ITI-34]) audit messages as defined in QRPH 5.Z.3.2 Submit Form ([ITI-35]) audit messages where such PHI Audit is required by Jurisdictional Law.

1580 **3.Y.5.4 Security Audit Considerations –Archive Form ([ITI-36]) audit messages  
audit messages**

1585 The Archive Form Transaction MAY be a PHI-Export event, as defined in ITI TF-2a: Table 3.20.6-1. The actors involved in the transaction SHALL create audit data in conformance with Retrieve Form ([ITI-34]) audit messages as defined in QRPH 5.Z.3.3 Archive Form ([ITI-35]) audit messages where such PHI Audit is required by Jurisdictional Law.

## Volume 2 Namespace Additions

*Add the following terms to the IHE General Introduction Appendix G:*

None

1590

## **Volume 3 – Content Modules**

## 5 Namespaces and Vocabularies

1595 *Add to Section 5 Namespaces and Vocabularies*

codeSystem	codeSystemName	Description
2.16.840.1.113883.6.1	LOINC	Logical Observation Identifier Names and Codes
2.16.840.1.113883.6.96	SNOMED-CT	Systematized Nomenclature Of Medicine Clinical Terms
2.16.840.1.113883.6.88	RxNorm	RxNorm
2.16.840.1.113883.12.1	AdministrativeGender	See the HL7 AdministrativeGender Vocabulary
2.16.840.1.113883	ServiceDeliveryLocation	See the HL7 ServiceDeliveryLocation Vocabulary

*Add to Section 5.1.1 IHE Format Codes*

Profile	Format Code	Media Type	Template ID
Birth and Fetal Death Reporting – LDS-VR	urn:ihe:qrph:LDS-VR:2013	Text/xml	1.3.6.1.4.1.19376.1.7.3.1.1.19.1.1
BFDR Birth CDA document	urn:ihe:qrph:BFDR-Birth:2014	Text/xml	1.3.6.1.4.1.19376.1.7.3.1.1.19.2
BFDR Fetal Death CDA document	urn:ihe:qrph:BFDR-FDeath:2014	Text/xml	1.3.6.1.4.1.19376.1.7.3.1.1.19.3

1600

*Add to Section 5.1.2 IHE ActCode Vocabulary*

No new ActCode vocabulary

*Add to Section 5.1.3 IHE RoleCode Vocabulary*

No new RoleCode vocabulary

1605 **6 CDA Content Modules**

**6.3.1 CDA Document Templates**

<i>Add to Section 6.3.1.D Document Content Modules</i>
--

**6.3.1.D1 Birth Reporting (BFDR-Birth) Document (1.3.6.1.4.1.19376.1.7.3.1.1.19.2)**

**6.3.1.D1.1 Format Code**

1610 The XSDDocumentEntry format code for this content is urn:ihe:qrph:BFDR-Birth:2014

**6.3.1.D1.2 Parent Template(s)**

This document is a specialization of the HL7 Birth and Fetal Death Reporting Document: Reporting Birth Information from a clinical setting to vital records (ClinicalDocument: templateId 2.16.840.1.113883.10.20.26.1).

1615 **6.3.1.D1.3 Referenced Standards**

All standards which are reference in this document are listed below with their common abbreviation, full title, and link to the standard.

**Table 6.3.1.D1.3-1: Birth Reporting (BFDR-Birth) - Referenced Standards**

Abbreviation	Title	URL
CDAR2	<a href="#">HL7 CDA Release 2.0</a>	<a href="http://www.hl7.org/Library/General/HL7_CD_A_R2_final.zip">http://www.hl7.org/Library/General/HL7_CD_A_R2_final.zip</a>
HL7 BFDR CDA: Reporting Birth Information from a clinical setting to vital records	HL7 IG for Clinical Document Architecture (CDA) Release 2: Reporting Birth and Fetal Death information to Vital Records, Release 1 (DSTU) US Realm	<a href="http://www.hl7.org/dstucomments/showdetail.cfm?dstuid=102">http://www.hl7.org/dstucomments/showdetail.cfm?dstuid=102</a> .
LOINC	Logical Observation Identifiers, Names and Codes	<a href="http://loinc.org">http://loinc.org</a>
SNOMED	Systemized Nomenclature for Medicine	<a href="http://www.nlm.nih.gov/research/umls/Snomed/snomed_main.html">http://www.nlm.nih.gov/research/umls/Snomed/snomed_main.html</a>

1620

**6.3.1.D1.4 Data Element Mapping to CDA**

Refer to Volume 4, 6.6.2 for mapping from BFDR Form data elements to the output the BFDR Birth CDA Document or the BFDR Fetal Death CDA Document.

**6.3.1.D1.5 Content Module Specifications**

1625 This section specifies the header and body content modules which comprise the document-level Content Module. Templates constraining the information are listed by id.



1630

Sections that are used according to the definitions in other specifications are identified with the relevant specification document. Additional constraints on vocabulary value sets, not specifically constrained within the section template, are also identified. Header constraints to the parent HL7 CDA document for Reporting Birth Information from a Clinical Setting to Vital Records are identified. Only the constrained sections and clinical statements are listed here, but there are additional requirements in the HL7 CDA Implementation Guide.

### 6.3.1.D1.5.1 Document Constraints

<b>Template Name</b>		BFDR Birth CDA document			
<b>Template ID</b>		1.3.6.1.4.1.19376.1.7.3.1.1.19.2			
<b>Parent Template</b>		Reporting Birth Information from a clinical setting to vital records 2.16.840.1.113883.10.20.26.1 (HL7) NOTE: Constraints to the Header Section Apply			
<b>General Description</b>		Document specification covers the provision of Birth reporting data to the applicable jurisdictional vital reporting agencies			
<b>Document Code</b>		SHALL be 68998-4 (CodeSystem: 2.16.840.1.113883.6.1 LOINC), “U.S. standard certificate of live birth - 2003 revision “			
<b>Opt and Card</b>	<b>Condition</b>	<b>Header Element or Section Name</b>	<b>Template ID</b>	<b>Specification Document</b>	<b>Vocabulary Constraint</b>
<b>Demographic Header Elements</b>					
R[1..1]		Personal Information: name		HL7 Birth Reporting to VR CDA	
R2[0..1]	QRPH 3: 6.3.1.D1.5.2.1	Mother’s Information: birthtime		QRPH 3: 6.3.1.D1.5.2.1	
R2[0..1]		Mother’s Information: addr		HL7 Birth Reporting to VR CDA	
O[0..1]	QRPH 6.3.1.D1.5.2.2	Mother’s Information: ethnicity		QRPH 6.3.1.D1.5.2.2	HL7 0189
O[0..*]	QRPH 6.3.1.D1.5.2.3	Mother’s Information: race		QRPH 6.3.1.D1.5.2.3	HL7 0005
O[0..1]	QRPH 6.3.1.D1.5.2.4	Mother’s Information: gender		QRPH 6.3.1.D1.5.2.4	HL7 0001
R[1..1]		Mother’s Information: id		HL7 Birth Reporting to VR CDA	
R[1..1]	QRPH 6.3.1.D1.5.2.5	realmCode		QRPH 6.3.1.D1.5.2.5	

Sections
No Section Constraints apply

1635 **6.3.1.D1.5.2 Header Constraints - Further Vocabulary or Conditional Constraints**

**6.3.1.D1.5.2.1 Mother's Information: birthtime**

The Mother's birthtime SHOULD be included in the document header if known.

**6.3.1.D1.5.2.2 Mother's Information: ethnicity**

1640 The Mother's ethnicity MAY be included in the document header if known. The value for ethnicity/ code SHALL be drawn from value set 2.16.840.1.114222.4.11.6066 PHVS\_EthnicGroup\_HL7\_2x.

**6.3.1.D1.5.2.3 Mother's Information: race**

The Mother's race MAY be included in the document header if known. The value for race/ code SHALL be drawn from value set PHINVADS link for HL7 V3 Race

1645 2.16.840.1.113883.1.11.14914 unless further extended by national extension.

**6.3.1.D1.5.2.4 Mother's Information: gender**

The Mother's gender MAY be included in the document header if known. The value for gender/ code SHALL be drawn from value set 2.16.840.1.113883.1.11.1 HVS\_AdministrativeGender\_HL7\_V3.

1650 **6.3.1.D1.5.2.5 realmCode**

The realmCode SHALL be included and SHALL indicate the country for the jurisdiction of the implementation. The value for realmCode SHALL be drawn from CodeSystem: 1.0.3166.1

Country (ISO 3166-1). NOTE: this is an extension of the underlying HL7 Implementation Guide for CDA Release 2: Birth and Fetal Death Report, Release 1.

1655 **6.3.1.D1.5.3 Body Constraints – Further Vocabulary or Conditional Constraints**

There are no body constraints to the underlying HL7 Reporting Birth Information from a Clinical Setting to Vital Records.

**6.3.1.D1.6 Document Example**

1660 A complete example of the Birth Reporting CDA document (BFDR-Birth) Document Content Module is available on the IHE ftp server at: [ftp://ftp.ihe.net/TF\\_Implementation\\_Material/QRPH/packages/](ftp://ftp.ihe.net/TF_Implementation_Material/QRPH/packages/). Note that this is an example and

is meant to be informative and not normative. This example shows the 1.3.6.1.4.1.19376.1.7.3.1.1.19.2 elements for all of the specified templates.

1665

### 6.3.1.D2 Fetal Death Reporting (BFDR-FDeath) Document (1.3.6.1.4.1.19376.1.7.3.1.1.19.3)

#### 6.3.1.D2.1 Format Code

The XDSDocumentEntry format code for this content is urn:ihe:qrph:BFDR-FDeath:2014

#### 6.3.1.D2.2 Parent Template(s)

1670

This document is a specialization of the HL7 Birth and Fetal Death Reporting Document: Reporting Fetal Death Information from a clinical setting to vital records (ClinicalDocument: templateId 2.16.840.1.113883.10.20.26.2).

#### 6.3.1.D2.3 Referenced Standards

All standards which are reference in this document are listed below with their common abbreviation, full title, and link to the standard.

1675

**Table 6.3.1.D2.3-1: Fetal Death Reporting (BFDR-FDeath) - Referenced Standards**

Abbreviation	Title	URL
CDAR2	<a href="#">HL7 CDA Release 2.0</a>	<a href="http://www.hl7.org/Library/General/HL7_CD_A_R2_final.zip">http://www.hl7.org/Library/General/HL7_CD_A_R2_final.zip</a>
HL7 BFDR CDA: Reporting Fetal Death Information from a clinical setting to vital records	HL7 IG for Clinical Document Architecture (CDA) Release 2: Reporting Birth and Fetal Death information to Vital Records, Release 1 (DSTU) US Realm	<a href="http://www.hl7.org/dstuccomments/showdetail.cfm?dstuid=102">http://www.hl7.org/dstuccomments/showdetail.cfm?dstuid=102.</a>
LOINC	Logical Observation Identifiers, Names and Codes	<a href="http://loinc.org">http://loinc.org</a>
SNOMED	Systemized Nomenclature for Medicine	<a href="http://www.nlm.nih.gov/research/umls/Snomed/snomed_main.html">http://www.nlm.nih.gov/research/umls/Snomed/snomed_main.html</a>

#### 6.3.1.D2.4 Data Element Mapping to CDA

1680

Refer to Volume 4, 6.6.1.2.1 for mapping from BFDR Form data elements to the output the BFDR Birth CDA Document or the BFDR Fetal Death CDA Document. Table 6.6.2-1 defines the form data element mapping to the output content document modules for Birth. Table 6.6.2-2 defines the form data element mapping to the output content document modules for Fetal Death.

### 6.3.1.D2.5 Content Module Specifications

1685 This section specifies the header and body content modules which comprise the document-level Content Module. Templates constraining the information are listed by id.

1690 Sections that are used according to the definitions in other specifications are identified with the relevant specification document. Additional constraints on vocabulary value sets, not specifically constrained within the section template, are also identified. Header constraints are inherited through the Medical Documents Specification parent template (1.3.6.1.4.1.19376.1.5.3.1.1.1). Only the constrained sections and clinical statements are listed here, but there are additional requirements in the HL7 CDA Implementation Guide.

#### 6.3.1.D2.5.1 Document Constraints

<b>Template Name</b>		BFDR Fetal Death CDA document			
<b>Template ID</b>		1.3.6.1.4.1.19376.1.7.3.1.1.19.3			
<b>Parent Template</b>		Reporting Fetal Death Information from a clinical setting to vital records 2.16.840.1.113883.10.20.26.2 (HL7) NOTE: Constraints to the Header Section Appl			
<b>General Description</b>		Document specification covers the provision of Birth and Fetal Death reporting data to the applicable jurisdictional vital reporting agencies			
<b>Document Code</b>		SHALL be 69045-3 (CodeSystem: 2.16.840.1.113883.6.1 LOINC), “U.S. standard report of fetal death - 2003 revision “			
<b>Opt and Card</b>	<b>Condition</b>	<b>Header Element or Section Name</b>	<b>Template ID</b>	<b>Specification Document</b>	<b>Vocabulary Constraint</b>
<b>Header Elements</b>					
R[1..1]		Personal Information: name		HL7 Birth Reporting to VR CDA	
R2[0..1]	QRPH 3: 6.3.1.D2.5.2.1	Mother’s Information: birthtime		QRPH 3: 6.3.1.D2.5.2.1	
R2[0..1]		Mother’s Information: addr		HL7 Birth Reporting to VR CDA	
O[0..1]	QRPH 6.3.1.D2.5.2.2	Mother’s Information: ethnicity		QRPH 6.3.1.D2.5.2.2	HL7 0189
O[0..*]	QRPH 6.3.1.D2.5.2.3	Mother’s Information: race		QRPH 6.3.1.D2.5.2.3	HL7 0005
O[0..1]	QRPH 6.3.1.D2.5.2.4	Mother’s Information: gender		QRPH 6.3.1.D2.5.2.4	HL7 0001
R[1..1]		Mother’s Information: id		HL7 Birth Reporting to VR CDA	

R[1..1]	QRPH 6.3.1.D2.5.2. 5	realmCode		QRPH 6.3.1.D2.5.2.5	
<b>Sections</b>					
No section constraints					

### 6.3.1.D2.5.2 Header Constraints - Further Vocabulary or Conditional Constraints

#### 1695 6.3.1.D2.5.2.1 Mother's Information: birthtime

The Mother's birthtime SHOULD be included in the document header if known.

#### 6.3.1.D2.5.2.2 Mother's Information: ethnicity

1700 The Mother's ethnicity MAY be included in the document header if known. The value for ethnicity/ code SHALL be drawn from value set 2.16.840.1.114222.4.11.6066 PHVS\_EthnicGroup\_HL7\_2x.

#### 6.3.1.D2.5.2.3 Mother's Information: race

The Mother's race MAY be included in the document header if known. The value for race/ code SHALL be drawn from value set 2.16.840.1.114222.4.11.6066 PHVS\_Race\_HL7\_2x.

#### 6.3.1.D2.5.2.4 Mother's Information: gender

1705 The Mother's gender MAY be included in the document header if known. The value for gender/ code SHALL be drawn from value set 2.16.840.1.113883.1.11.1 HVS\_AdministrativeGender\_HL7\_V3.

#### 6.3.1.D2.5.2.5 realmCode

1710 The realmCode SHALL be included and SHALL indicate the country for the jurisdiction of the implementation. The value for realmCode SHALL be drawn from CodeSystem: 1.0.3166.1 Country (ISO 3166-1).

### 6.3.1.D2.5.3 Body Constraints – Further Vocabulary or Conditional Constraints

There are no body constraints to the underlying HL7 Reporting Fetal Death Information from a Clinical Setting to Vital Records.

#### 1715 6.3.1.D2.6 Document Example

A complete example of the Fetal Death Reporting CDA document (BFDR-FDeath) Document Content Module is available on the IHE ftp server at: [ftp://ftp.ihe.net/TF\\_Implementation\\_Material/QRPH/packages/](ftp://ftp.ihe.net/TF_Implementation_Material/QRPH/packages/). Note that this is an example and

1720 is meant to be informative and not normative. This example shows the 1.3.6.1.4.1.19376.1.7.3.1.1.19.3 elements for all of the specified templates.

### 6.3.1.D3 Labor and Delivery Summary for Vital Records (LDS-VR) Document

#### 6.3.1.D3.1 Format Code

The XSDDocumentEntry format code for this content is urn:ihe:qrph:ldsvr:2014

#### 6.3.1.D3.2 Parent Template(s)

1725 This document template is also an adaptation of the IHE PCC Labor and Delivery Summary Document (templateId 1.3.6.1.4.1.19376.1.5.3.1.1.21.1.2).

#### 6.3.1.D3.3 Referenced Standards

All standards which are reference in this document are listed below with their common abbreviation, full title, and link to the standard.

1730

**Table 6.3.1.D3.3-1: Referenced Standards**

Abbreviation	Title	URL
CDAR2	<a href="http://www.hl7.org/Library/General/HL7_CD_A_R2_final.zip">HL7 CDA Release 2.0</a>	<a href="http://www.hl7.org/Library/General/HL7_CD_A_R2_final.zip">http://www.hl7.org/Library/General/HL7_CD_A_R2_final.zip</a>
XDS-MS	IHE PCC Medical Summary	
LDS	IHE Labor and Delivery Profile	
LOINC	Logical Observation Identifiers, Names and Codes	
SNOMED	Systemized Nomenclature for Medicine	
RxNorm	RxNorm	<a href="http://www.nlm.nih.gov/research/umls/rxnorm/">http://www.nlm.nih.gov/research/umls/rxnorm/</a>
FIPS 5-2	Codes for the Identification of the States, the District of Columbia, and the Outlying Areas	<a href="http://www.itl.nist.gov/fipspubs/fip5-2.htm">http://www.itl.nist.gov/fipspubs/fip5-2.htm</a>
NUBC	National Uniform Billing Committee	<a href="http://www.nubc.org/">http://www.nubc.org/</a>
HL7	Health Level Seven	<a href="http://www.hl7.org">http://www.hl7.org</a>

#### 6.3.1.D3.4 Data Element Mapping to CDA

Refer to Volume 4, 6.6.1 for mapping from BFDR Form data elements to the pre-pop LDS-VR CDA Document

#### 1735 6.3.1.D3.5 Content Module Specifications

This section specifies the header, section, and entry content modules which comprise the LDS-VR Document Content Module, using the Template ID as the key identifier.

1740 Sections that are used according to the definitions in other specifications are identified with the relevant specification document. Additional constraints on vocabulary value sets, not specifically constrained within the section template, are also identified.

### 6.3.1.D3.5.1 Document Constraints

The following table describes the header, sections, subsections, and entries that compose the LDS-VR document. Subsections are indicated by ‘+’ and ‘++’ for sub-sub-sections.

1745 **Table 6.3.1.D3.5.1-1: LDS-VR Document Template**

<b>Template Name</b>		Labor and Delivery Summary – Vital Records			
<b>Template ID</b>		1.3.6.1.4.1.19376.1.7.3.1.1.19.1.1			
<b>Parent Template</b>		Specialization of 1.3.6.1.4.1.19376.1.5.3.1.1.21.1.2 Labor and Delivery Summary Document Template, IHE PCC			
<b>General Description</b>		The Labor and Delivery Summary (LDS-VR) CDA document template specifies a specialized version of the Labor and Delivery Summary Document. It is used to prepopulate an electronic form (worksheet) that collects the information needed for submission to vital records. Use of the LDS-VR pre-population Option optimizes the initial Birth and Fetal Death Report form data population.			
<b>Document Code</b>		SHALL be 57057-2 codeSystem="2.16.840.1.113883.6.1" codeSystemName="LOINC"			
<b>Opt and Card</b>	<b>Condition</b>	<b>Header Element or Section Name</b>	<b>Template ID</b>	<b>Specification Document</b>	<b>Vocabulary Constraint</b>
<b>Header Elements</b>					
R[1..1]		componentOf/EncapsulatingEncounter	NA	PCC TF-2: 6.3.1.1.3	6.3.1.D3.5.2.1
R[0..1]		Subject Participation	1.3.6.1.4.1.19376.1.5.3.1.4.15.2	PCC TF-2: 6.3.4.94	6.3.1.D3.5.2.2
<b>Sections</b>					
R[1..1]		Hospital Admission Diagnosis	1.3.6.1.4.1.19376.1.5.3.1.3.3	PCC TF-2: 6.3.3.1.4	None
R[1..1]		Admission Medication History	1.3.6.1.4.1.19376.1.5.3.1.3.20	PCC TF-2: 6.3.3.3.2	6.3.1.D3.5.3.1
R[1..1]		Chief Complaint	1.3.6.1.4.1.19376.1.5.3.1.1.13.2.1	PCC TF-2: 6.3.3.1.3	None
R[1..1]		Transport Mode	1.3.6.1.4.1.19376.1.5.3.1.1.10.3.2	PCC TF-2: 6.3.3.6.7	None
R2[0..1]		Assessment and Plan	1.3.6.1.4.1.19376.1.5.3.1.1.13.2.5	PCC TF-2: 6.3.3.6.2	None
R[1..1]		Pain Assessment Panel	1.3.6.1.4.1.19376.1.5.3.1.1.20.2.4	PCC TF-2: 6.3.3.2.23	None
R[1..1]		Coded Results	1.3.6.1.4.1.19376.1.5.3.1.3.28	PCC TF-2: 6.3.3.5.2	None

IHE Quality, Research and Public Health Technical Framework Supplement – Birth and Fetal Death Reporting-Enhanced (BFDR-E)

R2[0..1]		Coded Antenatal Testing and Surveillance	1.3.6.1.4.1.19376.1.5.3.1.1.21.2.5.1	PCC TF-2: 6.3.3.5.7	None
R[1..1]		Coded History of Infection	1.3.6.1.4.1.19376.1.5.3.1.1.16.2.1.1.1	PCC TF-2: 6.3.3.2.37	6.3.1.D3.5.3.2
R[1..1]		Pregnancy History	1.3.6.1.4.1.19376.1.5.3.1.1.5.3.4	PCC TF-2: 6.3.3.2.18	6.3.1.D3.5.3.3
R[1..1]		History of Present Illness	1.3.6.1.4.1.19376.1.5.3.1.3.4	PCC TF-2: 6.3.3.2.1	None
R[1..1]		History of Past Illness	1.3.6.1.4.1.19376.1.5.3.1.3.8	PCC TF-2: 6.3.3.2.5	None
R[1..1]		Active Problems	1.3.6.1.4.1.19376.1.5.3.1.3.6	PCC TF-2: 6.3.3.2.3	6.3.1.D3.5.3.4
R2[0..1]		Coded Advance Directives	1.3.6.1.4.1.19376.1.5.3.1.3.35	PCC TF-2: 6.3.3.6.5	None
R2[0..1]		Birth Plan	1.3.6.1.4.1.19376.1.5.3.1.1.21.2.1	PCC TF-2: 6.3.3.6.12	None
R[1..1]		Allergies and Other Adverse Reactions	1.3.6.1.4.1.19376.1.5.3.1.3.13	PCC TF-2: 6.3.3.4.15	None
R[1..1]		Coded Detailed Physical Examination	1.3.6.1.4.1.19376.1.5.3.1.1.9.15.1	PCC TF-2: 6.3.3.4.2	6.3.1.D3.5.3.5
R2[0..1]		+Coded Vital Signs	1.3.6.1.4.1.19376.1.5.3.1.1.5.3.2	PCC TF-2: 6.3.3.4.5	6.3.1.D3.5.3.6
R[1..1]		Estimated Delivery Dates	1.3.6.1.4.1.19376.1.5.3.1.1.11.2.2.1	PCC TF-2: 6.3.3.2.28	None
R[1..1]		Medications Administered	1.3.6.1.4.1.19376.1.5.3.1.3.21	PCC TF-2: 6.3.3.3.3	6.3.1.D2.5.3.7
R2[0..1]		Intravenous Fluids Administered	1.3.6.1.4.1.19376.1.5.3.1.1.13.2.6	PCC TF-2: 6.3.3.8.4	None
R2[0..1]		Intake and Output	1.3.6.1.4.1.19376.1.5.3.1.1.20.2.3	PCC TF-2: 6.3.3.6.17	None
R2[0..1]		EBS Estimated Blood Loss	1.3.6.1.4.1.19376.1.5.3.1.1.9.2	PCC TF-2: 6.3.3.1.6	None
R[1..1]		History of Blood Transfusions	1.3.6.1.4.1.19376.1.5.3.1.1.9.12	PCC TF-2: 6.3.3.2.31	None
R2[0..1]		History of Surgical Procedures	1.3.6.1.4.1.19376.1.5.3.1.1.16.2.2	PCC TF-2: 6.3.3.2.44	None
R[1..1]		Labor and Delivery Events	1.3.6.1.4.1.19376.1.5.3.1.1.21.2.3	PCC TF-2: 6.3.3.2.39	6.3.1.D3.5.3.8
R[1..1]		+Procedures and Interventions	1.3.6.1.4.1.19376.1.5.3.1.1.13.2.11	PCC TF-2: 6.3.3.8.3	6.3.1.D3.5.3.9
R[1..1]		+Coded Event Outcomes	1.3.6.1.4.1.19376.1.7.3.1.1.13.7	PCC TF-2: 6.3.3.2.49	6.3.1.D3.5.3.10



IHE Quality, Research and Public Health Technical Framework Supplement – Birth and Fetal Death Reporting-Enhanced (BFDR-E)

R[1..1]		Newborn Delivery Information	1.3.6.1.4.1.19376.1.5.3.1.1.21.2.4	PCC TF-2: 6.3.3.2.40	6.3.1.D3.5.3.11
R[1..1]		+Coded Detailed Physical Examination Section	1.3.6.1.4.1.19376.1.5.3.1.1.9.15.1	PCC TF-2: 6.3.3.4.2	6.3.1.D3.5.3.12
R[1..1]		++Coded Vital Signs	1.3.6.1.4.1.19376.1.5.3.1.1.5.3.2	PCC TF-2: 6.3.3.4.5	6.3.1.D3.5.3.13
R[1..1]		++General Appearance	1.3.6.1.4.1.19376.1.5.3.1.1.9.16	PCC TF-2: 6.3.3.4.6	6.3.1.D3.5.3.14
R[1..1]		++Neurologic System	1.3.6.1.4.1.19376.1.5.3.1.1.9.35	PCC TF-2: 6.3.3.4.26	6.3.1.D3.5.3.12
R[1..1]		++Heart	1.3.6.1.4.1.19376.1.5.3.1.1.9.29	PCC TF-2: 6.3.3.4.20	6.3.1.D3.5.3.12
R[1..1]		++Musculoskeletal System	1.3.6.1.4.1.19376.1.5.3.1.1.9.34	PCC TF-2: 6.3.3.4.25	6.3.1.D3.5.3.12
R[1..1]		++Abdomen	1.3.6.1.4.1.19376.1.5.3.1.1.9.31	PCC TF-2: 6.3.3.4.22	6.3.1.D3.5.3.12
R[1..1]		++Genitalia	1.3.6.1.4.1.19376.1.5.3.1.1.9.36	PCC TF-2: 6.3.3.4.27	6.3.1.D3.5.3.12
R[1..1]		+Active Problems	1.3.6.1.4.1.19376.1.5.3.1.3.6	PCC TF-2: 6.3.3.2.3	6.3.1.D3.5.3.15
R[1..1]		+Procedures and Interventions	1.3.6.1.4.1.19376.1.5.3.1.1.13.2.11	PCC TF-2: 6.3.3.8.3	6.3.1.D3.5.3.16
R[1..1]		+Medications Administered	1.3.6.1.4.1.19376.1.5.3.1.3.21	PCC TF-2: 6.3.3.3.3	6.3.1.D3.5.3.17
[0..1]		+Event Outcomes	1.3.6.1.4.1.19376.1.5.3.1.1.21.2.9	PCC TF-2: 6.3.3.2.42	None
R[1..1]		+Coded Event Outcomes	1.3.6.1.4.1.19376.1.7.3.1.1.13.7	PCC TF-2: 6.3.3.2.49	6.3.1.D3.5.3.18
R[1..1]		+Coded Results	1.3.6.1.4.1.19376.1.5.3.1.3.28	PCC TF-2: 6.3.3.5.2	6.3.1.D3.5.3.19
C[0..1]		+Intake and Output	1.3.6.1.4.1.19376.1.5.3.1.1.20.2.3	PCC TF-2: 6.3.3.6.17	None
R[1..1]		Payers	1.3.6.1.4.1.19376.1.5.3.1.1.5.3.7	PCC TF-2: 6.3.3.7.1	6.3.1.D3.5.3.20

### 6.3.1.D3.5.2 Header – Further Vocabulary or Conditional Constraints

#### 6.3.1.D3.5.2.1 documentationOf/encompassingEncounter

*Admission Source* SHALL indicate whether the mother was transferred from another organization using the following value set:

1750                      Transfer In (NCHS) [1.3.6.1.4.1.19376.1.7.3.1.1.13.8.177](#)

In:

ClinicalDocument/componentOf/encompassingEncounter/sdtc:admissionSourceCode

1755 **Facility name of the source of admission** SHALL indicate the name of the organization the mother was transferred IF KNOWN

In:

The name of the organization that was the source of the transfer SHALL be recorded in:  
/encompassingEncouter/encounterParticipant[@typeCode='REF']/assignedEntity/representedOrganization

1760 **Facility name where the Birth Occurred** SHALL be included in:

ClinicalDocument/componentOf/encompassingEncounter/location/healthCareFacility/location/address

**Facility ID (Jurisdiction Provider ID e.g., US NPI)** SHALL be included in:

1765 ClinicalDocument/componentOf/encompassingEncouter  
/location/healthCareFacility/serviceProviderOrganization/id

**Facility Town/City** SHALL be included in:

ClinicalDocument/componentOf/encompassingEncouter  
/location/healthCareFacility/serviceProviderOrganization/addr/city

1770

**Facility County/Region** SHALL be included in:

ClinicalDocument/componentOf/encompassingEncouter  
/location/healthCareFacility/serviceProviderOrganization/addr/county

### 1775 **6.3.1.D3.5.3 Body - Further Vocabulary or Conditional Constraints**

#### **6.3.1.D3.5.3.1 Admission Medication History**

##### **Medication Coded Product**

This is implementer guidance regarding appropriate coding to use for specific concepts.

The value set shall not be limited or constrained in this implementation guide.

1780 IF the case has any of the following THEN they SHALL be included.

Where these medications have been administered and resulted in this pregnancy, the information about the use of these medications SHALL be recorded using the following value set:

Fertility Enhancing Drugs Medications (NCHS) [1.3.6.1.4.1.19376.1.7.3.1.1.13.8.144](#)

SHALL be included in:

1785 ClinicalDocument//structuredBody  
/component/section[templateId[@root='1.3.6.1.4.1.19376.1.5.3.1.3.20']]  
/entry/substanceAdministration/ consumable/manufacturedProduct/labeledDrug/code

***Medication Administration Date and Time***

1790 The substance administration date SHALL be included to represent the date or range of dates when these medications were administered.:

ClinicalDocument/structuredBody  
/component/section[templateId[@root='1.3.6.1.4.1.19376.1.5.3.1.3.20']]  
/entry/substanceAdministration/effectiveDate

**6.3.1.D3.5.3.2 Coded History of Infection**

1795 This is implementer guidance regarding appropriate coding to use for specific concepts.

The value set shall not be limited or constrained in this implementation guide.

IF the case has any of the following THEN they SHALL be included.

Where these conditions exist,

***Infection History Problem*** SHALL be specified using codes from the following value sets:

1800

Chlamydia (NCHS) [1.3.6.1.4.1.19376.1.7.3.1.1.13.8.93](#)

Gonorrhea (NCHS) [2.16.840.1.114222.4.11.6071](#)

Hepatitis B (NCHS) [1.3.6.1.4.1.19376.1.7.3.1.1.13.8.96](#)

Hepatitis C (NCHS) [1.3.6.1.4.1.19376.1.7.3.1.1.13.8.97](#)

1805 Syphilis (NCHS) [1.3.6.1.4.1.19376.1.7.3.1.1.13.8.98](#)

Listeria (NCHS) [1.3.6.1.4.1.19376.1.7.3.1.1.13.8.147](#)

Group B Streptococcus (NCHS) [1.3.6.1.4.1.19376.1.7.3.1.1.13.8.166](#)

Cytomegalovirus (NCHS) [1.3.6.1.4.1.19376.1.7.3.1.1.13.8.167](#)

Parvovirus (NCHS) [1.3.6.1.4.1.19376.1.7.3.1.1.13.8.168](#)

1810 Toxoplasmosis (NCHS) [1.3.6.1.4.1.19376.1.7.3.1.1.13.8.169](#)

In

ClinicalDocument/structuredBody/component/section[templateId[@root='1.3.6.1.4.1.19376.1.5.3.1.1.16.2.1.1.1']]/entry/act/entryRelationship/observation/value

Where the following location SHALL be populated with the code for ‘finding’, ‘404684003’

1815 In:

ClinicalDocument/structuredBody/component/section[templateId[@root='1.3.6.1.4.1.19376.1.5.3.1.1.16.2.1.1.1']]/entry/act/entryRelationship/observation/code

### 6.3.1.D3.5.3.3 Pregnancy History

1820 This document is only concerned with information for the current pregnancy. The pregnancy History section SHALL contain only information about the status of the pregnancy history as of the current pregnancy resulting in this LDS.

1825 **Significant Dates:** The concept domain bound to the PregnancyObservation/code/@code SHALL be bound to the value set defined to combine the following value sets.

SHALL include the following observations if known:

- Date of Last Live Birth (NCHS) [1.3.6.1.4.1.19376.1.7.3.1.1.13.8.67](#)
- Date of Last Menses (NCHS) [1.3.6.1.4.1.19376.1.7.3.1.1.13.8.69](#)
- 1830 Date of Last Other Pregnancy Outcome (NCHS) [1.3.6.1.4.1.19376.1.7.3.1.1.13.8.70](#)  
(e.g., spontaneous or induced losses or ectopic pregnancy)
- First Prenatal Care Visit (NCHS) [1.3.6.1.4.1.19376.1.7.3.1.1.13.8.133](#)

In:

ClinicalDocument/structuredBody

1835 /component/section[templateId[@root='1.3.6.1.4.1.19376.1.5.3.1.1.5.3.4']]

/entry/observation/code

Documenting the associated Date-Timestamp

In:

ClinicalDocument/structuredBody

1840 /component/section[templateId[@root='1.3.6.1.4.1.19376.1.5.3.1.1.5.3.4']]

/entry/observation/effectiveTime

**Significant metrics:** PregnancyObservation/code/@code SHALL be bound to the value set defined to combine the following value sets.

- 1845 Number of Previous Live Births Now Dead (NCHS)  
[1.3.6.1.4.1.19376.1.7.3.1.1.13.8.122](#)
- Number of Previous Live Births Now Living (NCHS)  
[1.3.6.1.4.1.19376.1.7.3.1.1.13.8.123](#)

1850           Number of Preterm Births (NCHS) [1.3.6.1.4.1.19376.1.7.3.1.1.13.8.187](#)  
                  Obstetric Estimate of Gestation (NCHS) [1.3.6.1.4.1.19376.1.7.3.1.1.13.8.124](#)  
                  Number of Previous Cesareans (NCHS) [1.3.6.1.4.1.19376.1.7.3.1.1.13.8.148](#)  
                  Number Prenatal Care Visits (NCHS) [1.3.6.1.4.1.19376.1.7.3.1.1.13.8.135](#)  
                  Previous Other Pregnancy Outcomes (NCHS)       [1.3.6.1.4.1.19376.1.7.3.1.1.13.8.121](#)

1855    In:  
          ClinicalDocument/structuredBody  
          /component/section[templateId[@root='1.3.6.1.4.1.19376.1.5.3.1.1.5.3.4']]  
          /entry/observation/code  
          Documenting the associated count as an INT

1860    In:  
          ClinicalDocument/structuredBody  
          /component/section[templateId[@root='1.3.6.1.4.1.19376.1.5.3.1.1.5.3.4']]  
          /entry/observation/value

1865           ***Pregnancy History Findings:***  
                  PregnancyObservation/code SHALL be bound to the coded values in the following value set  
                  where these conditions were present during this pregnancy or impacting the care of this  
                  pregnancy.

1870           Previous Cesarean (NCHS) [2.16.840.1.114222.4.11.7165](#)  
                  Prepregnancy Diabetes (NCHS) [1.3.6.1.4.1.19376.1.7.3.1.1.13.8.136](#)  
                  Gestational Diabetes (NCHS) [1.3.6.1.4.1.19376.1.7.3.1.1.13.8.137](#)  
                  Prepregnancy Hypertension (NCHS) [1.3.6.1.4.1.19376.1.7.3.1.1.13.8.138](#)  
                  Gestational Hypertension (NCHS) [1.3.6.1.4.1.19376.1.7.3.1.1.13.8.139](#)  
1875           Eclampsia (NCHS) [1.3.6.1.4.1.19376.1.7.3.1.1.13.8.140](#)  
                  Preterm Birth (NCHS) [1.3.6.1.4.1.19376.1.7.3.1.1.13.8.141](#)  
                  Infertility Treatment (NCHS) [1.3.6.1.4.1.19376.1.7.3.1.1.13.8.143](#)  
                  Artificial or Intrauterine Insemination (NCHS) [1.3.6.1.4.1.19376.1.7.3.1.1.13.8.145](#)  
                  Assistive Reproductive Technology (NCHS) [1.3.6.1.4.1.19376.1.7.3.1.1.13.8.146](#)

1880    In  
          ClinicalDocument/structuredBody  
          /component/section[templateId[@root='1.3.6.1.4.1.19376.1.5.3.1.1.5.3.4']]  
          /entry/observation/code

### 6.3.1.D3.5.3.4 Active Problems

1885 **Problems**, SHALL include the following problems where these conditions existed during the pregnancy if known:

Transferred for Maternal Medical or Fetal Indications for Delivery (NCHS)  
[1.3.6.1.4.1.19376.1.7.3.1.1.13.8.176](#)

Chlamydia (NCHS) [1.3.6.1.4.1.19376.1.7.3.1.1.13.8.93](#)

1890 Gonorrhea (NCHS) [2.16.840.1.114222.4.11.6071](#)

Hepatitis B (NCHS) [1.3.6.1.4.1.19376.1.7.3.1.1.13.8.96](#)

Hepatitis C (NCHS) [1.3.6.1.4.1.19376.1.7.3.1.1.13.8.97](#)

Syphilis (NCHS) [1.3.6.1.4.1.19376.1.7.3.1.1.13.8.98](#)

Listeria (NCHS) [1.3.6.1.4.1.19376.1.7.3.1.1.13.8.147](#)

1895 Group B Streptococcus (NCHS) [1.3.6.1.4.1.19376.1.7.3.1.1.13.8.166](#)

Cytomegalovirus (NCHS) [1.3.6.1.4.1.19376.1.7.3.1.1.13.8.167](#)

Parvovirus (NCHS) [1.3.6.1.4.1.19376.1.7.3.1.1.13.8.168](#)

Toxoplasmosis (NCHS) [1.3.6.1.4.1.19376.1.7.3.1.1.13.8.169](#)

1900 Pregnancy Resulting From Fertility Enhancing Drugs (NCHS)  
[2.16.840.1.114222.4.11.7423](#)

SHALL include the following problems where these conditions existed during the delivery if known:

Chorioamnionitis During Labor (NCHS) [1.3.6.1.4.1.19376.1.7.3.1.1.13.8.24](#)

1905 Fever Greater Than 100.4 (NCHS) [1.3.6.1.4.1.19376.1.7.3.1.1.13.8.25](#)

In: ClinicalDocument/structuredBody

/component/section[templateId[@root='1.3.6.1.4.1.19376.1.5.3.1.3.6']]

1910 /entry/act/entryRelationship/observation/value Where the following location SHALL be populated with the code for 'finding', '404684003'

ClinicalDocument/structuredBody

/component/section[templateId[@root='1.3.6.1.4.1.19376.1.5.3.1.3.6']]

/entry/act/entryRelationship/observation/code

### 6.3.1.D3.5.3.5 Coded Detailed Physical Examination

1915 The Coded Detailed Physical Examination Section SHALL be Required if Known and SHALL include the Coded Vital Signs Section.

### 6.3.1.D3.5.3.6 Coded Detailed Physical Examination.Coded Vital Signs

Coded Vital Signs 1.3.6.1.4.1.19376.1.5.3.1.1.5.3.2

*Mother's Height* SHALL be included, using the value set:

1920 Height (NCHS) [1.3.6.1.4.1.19376.1.7.3.1.1.13.8.190](#)

In :

ClinicalDocument/component/structuredBody

/component/section[templateId[@root='1.3.6.1.4.1.19376.1.5.3.1.1.9.15.1']]

/component/section[templateId[@root='1.3.6.1.4.1.19376.1.5.3.1.1.5.3.2']]/entry/organizer/component /observation/code

1925

The height measurement SHALL be provided using

ClinicalDocument/ component/structuredBody

/component/section[templateId[@root='1.3.6.1.4.1.19376.1.5.3.1.1.9.15.1']]

1930 /component/section[templateId[@root='1.3.6.1.4.1.19376.1.5.3.1.1.5.3.2']]

/entry/organizer/component /observation/value

And the height SHALL be expressed using UCUM for units with the preference to express in feet and inches.

1935 *Mother's Weight* SHALL be included, using the value set:

Body Weight (NCHS) [2.16.840.1.114222.4.11.7421](#)

The weight measurement SHALL be provided using

ClinicalDocument/component/structuredBody

/component/section[templateId[@root=1.3.6.1.4.1.19376.1.5.3.1.1.9.15.1]]

1940 /component/section[templateId[@root=1.3.6.1.4.1.19376.1.5.3.1.1.5.3.2]]

/entry/organizer/component /observation/value

And the weight SHALL be expressed using UCUM for units with the preference to express in pounds.

with methodCode detailed using the following value set::

- 1945 Mothers Delivery Weight (NCHS) [1.3.6.1.4.1.19376.1.7.3.1.1.13.8.120](#)  
Pre-Pregnancy Weight (NCHS) [1.3.6.1.4.1.19376.1.7.3.1.1.13.8.118](#)

In:

ClinicalDocument/component/structuredBody

/component/section[templateId[@root='1.3.6.1.4.1.19376.1.5.3.1.1.9.15.1']]

- 1950 /component/section[templateId[@root='1.3.6.1.4.1.19376.1.5.3.1.1.5.3.2']]

/entry/organizer/component /observation/methodCode

### 6.3.1.D3.5.3.7 Medications Administered

**Medication Coded Product** SHALL include the coded product name using the following value sets where these products were given to the patient:

- 1955 Antibiotics (NCHS) [1.3.6.1.4.1.19376.1.7.3.1.1.13.8.3](#)  
Augmentation of Labor - Medication (NCHS) [1.3.6.1.4.1.19376.1.7.3.1.1.13.8.23](#)  
Epidural Anesthesia - Medication (NCHS) [1.3.6.1.4.1.19376.1.7.3.1.1.13.8.26](#)  
Spinal Anesthesia – Medication (NCHS) [1.3.6.1.4.1.19376.1.7.3.1.1.13.8.28](#)

In:

- 1960 ClinicalDocument /component/structuredBody

/component/section[templateId[@root='1.3.6.1.4.1.19376.1.5.3.1.3.21']]

/entry/substanceAdministration/consumable/manufacturedProduct/labeledDrug/code

- 1965 **Route** SHALL specifically indicate the route where IV or IM administration route is used to administer the medications using the following value sets:

IV Medication Administration Route (NCHS) [1.3.6.1.4.1.19376.1.7.3.1.1.13.8.4](#)

IM Medication Administration Route (NCHS) [1.3.6.1.4.1.19376.1.7.3.1.1.13.8.5](#)

In:

ClinicalDocument/component/structuredBody

- 1970 /component/section[templateId[@root='1.3.6.1.4.1.19376.1.5.3.1.3.21']]

/entry/substanceAdministration/routeCode

SHALL include the administration dates/times

In:



1975 ClinicalDocument/component/structuredBody  
/component/section[templateId[@root='1.3.6.1.4.1.19376.1.5.3.1.3.21']]  
/entry/substanceAdministration/effectiveTime:

### **6.3.1.D3.5.3.8 Labor and Delivery Events**

No further constraints.

### **1980 6.3.1.D3.5.3.9 Labor and Delivery Events.Procedures and Interventions**

*Procedure* SHALL include the coded procedure using the following value sets where these procedures were performed on the patient:

- Augmentation of Labor - Procedure (NCHS) [1.3.6.1.4.1.19376.1.7.3.1.1.13.8.22](#)
- Epidural Anesthesia - Procedure (NCHS) [1.3.6.1.4.1.19376.1.7.3.1.1.13.8.27](#)
- 1985 Spinal Anesthesia - Procedure (NCHS) [1.3.6.1.4.1.19376.1.7.3.1.1.13.8.29](#)
- Induction of Labor (NCHS) [1.3.6.1.4.1.19376.1.7.3.1.1.13.8.34](#)
- Steroids For Fetal Lung Maturation (NCHS) [2.16.840.1.114222.4.11.7425](#)
- Delivery (NCHS) [1.3.6.1.4.1.19376.1.7.3.1.1.13.8.14](#)
- Unplanned Operation (NCHS) [1.3.6.1.4.1.19376.1.7.3.1.1.13.8.105](#)
- 1990 Cervical Cerclage (NCHS) [1.3.6.1.4.1.19376.1.7.3.1.1.13.8.125](#)
- External Cephalic Version (NCHS) [1.3.6.1.4.1.19376.1.7.3.1.1.13.8.127](#)
- Tocolysis (NCHS) [1.3.6.1.4.1.19376.1.7.3.1.1.13.8.128](#)
- Hysterotomy Hysterectomy (NCHS) [1.3.6.1.4.1.19376.1.7.3.1.1.13.8.150](#)
- Transfusion Whole Blood or Packed Red Bld (NCHS) [1.3.6.1.4.1.19376.1.7.3.1.1.13.8.99](#)
- 1995 Unplanned Hysterectomy (NCHS) [1.3.6.1.4.1.19376.1.7.3.1.1.13.8.103](#)
- Histological Placental Examination (NCHS) [2.16.840.1.114222.4.11.7138](#)

In:

ClinicalDocument/component/structuredBody  
/component/section[templateId[@root='1.3.6.1.4.1.19376.1.5.3.1.1.21.2.3']]  
2000 /component/section[templateId[@root='1.3.6.1.4.1.19376.1.5.3.1.1.13.2.11']]  
/entry/procedure/code

*Procedure Date and Time* SHALL be included for all procedures performed if known in:

ClinicalDocument/component/structuredBody  
/component/section[templateId[@root='1.3.6.1.4.1.19376.1.5.3.1.1.21.2.3']]

2005 /component/section[templateId[@root='1.3.6.1.4.1.19376.1.5.3.1.1.13.2.11']]  
/entry/procedure/effectiveTime

For the delivery event identified by the following procedure value set:

Delivery (NCHS) [1.3.6.1.4.1.19376.1.7.3.1.1.13.8.14](#)

2010 In:

ClinicalDocument/component/structuredBody

/component/section[templateId[@root='1.3.6.1.4.1.19376.1.5.3.1.1.21.2.3']]

/component/section[templateId[@root='1.3.6.1.4.1.19376.1.5.3.1.1.13.2.11']]

/entry/procedure/code

2015

the Procedures and Interventions SHALL also indicate the *NPI* in:

ClinicalDocument/component/structuredBody

/component/section[templateId[@root='1.3.6.1.4.1.19376.1.5.3.1.1.21.2.3']]

/component/section[templateId[@root='1.3.6.1.4.1.19376.1.5.3.1.1.13.2.11']]

2020 /entry/procedure/performer/assignedEntity/id

**Provider Type** in:

using value sets:

Physician (NCHS) [1.3.6.1.4.1.19376.1.7.3.1.1.13.8.15](#)

Doctor of Osteopathic Medicine (NCHS) [1.3.6.1.4.1.19376.1.7.3.1.1.13.8.16](#)

2025 Certified Midwife (NCHS) [1.3.6.1.4.1.19376.1.7.3.1.1.13.8.17](#)

Midwife (NCHS) [1.3.6.1.4.1.19376.1.7.3.1.1.13.8.18](#)

In:

ClinicalDocument/component/structuredBody

/component/section[templateId[@root='1.3.6.1.4.1.19376.1.5.3.1.1.21.2.3']]

2030 /component/section[templateId[@root='1.3.6.1.4.1.19376.1.5.3.1.1.13.2.11']]

/entry/procedure/performer/assignedEntity/code

**Provider Name** in:

ClinicalDocument/ component/structuredBody

2035 /component/section[templateId[@root='1.3.6.1.4.1.19376.1.5.3.1.1.21.2.3']]  
/component/section[templateId[@root='1.3.6.1.4.1.19376.1.5.3.1.1.13.2.11']]  
/entry/procedure/performer/assignedEntity/assignedPerson/name

Route and Method of Delivery SHALL be documented using the following value sets:

2040 Route and Method of Delivery - Spontaneous (NCHS) [1.3.6.1.4.1.19376.1.7.3.1.1.13.8.111](#)  
Route Method of Delivery - Trial of Labor (NCHS) [1.3.6.1.4.1.19376.1.7.3.1.1.13.8.115](#)  
Route and Method of Delivery - Scheduled C (NCHS) [1.3.6.1.4.1.19376.1.7.3.1.1.13.8.116](#)  
2045 Route and Method of Delivery - Cesarean (NCHS) [1.3.6.1.4.1.19376.1.7.3.1.1.13.8.114](#)

In:

ClinicalDocument/ component/structuredBody  
/component/section[templateId[@root='1.3.6.1.4.1.19376.1.5.3.1.1.21.2.3']]  
2050 /component/section[templateId[@root='1.3.6.1.4.1.19376.1.5.3.1.1.13.2.11']]  
/entry/procedure/methodCode

### **6.3.1.D3.5.3.10 Labor and Delivery Events.Coded Event Outcomes**

Coded Event Outcome

**Birth Counts:** The birth counts SHALL be provided if known using the following value sets:

2055 Birth Plurality of Delivery (NCHS) [1.3.6.1.4.1.19376.1.7.3.1.1.13.8.132](#)  
Number of Live Births (NCHS) [1.3.6.1.4.1.19376.1.7.3.1.1.13.8.68](#)  
Number of Fetal Deaths This Delivery (NCHS) [1.3.6.1.4.1.19376.1.7.3.1.1.13.8.164](#)

In:

ClinicalDocument/ component/structuredBody  
2060 /component/section[templateId[@root='1.3.6.1.4.1.19376.1.5.3.1.1.21.2.3']]  
/component/section[templateId[@root='1.3.6.1.4.1.19376.1.7.3.1.1.13.7']]  
/entry observation/code

Documenting the associated the count as INT in:

2065 ClinicalDocument/component/structuredBody

/component/section[templateId[@root='1.3.6.1.4.1.19376.1.5.3.1.1.21.2.3']]

/component/section[templateId[@root='1.3.6.1.4.1.19376.1.7.3.1.1.13.7']]

/entry/ observation/value

2070 ***Delivery Findings:***

Delivery findings SHALL be bound to the coded values in the following value set where these conditions were present resulting from the delivery.

Fetal Intolerance of Labor (NCHS) [1.3.6.1.4.1.19376.1.7.3.1.1.13.8.30](#)

Third Degree Perineal Laceration (NCHS) [1.3.6.1.4.1.19376.1.7.3.1.1.13.8.100](#)

2075 Fourth Degree Perineal Laceration (NCHS) [1.3.6.1.4.1.19376.1.7.3.1.1.13.8.101](#)

Ruptured Uterus (NCHS) [1.3.6.1.4.1.19376.1.7.3.1.1.13.8.102](#)

Fetal Presentation at Birth- Breech (NCHS) [1.3.6.1.4.1.19376.1.7.3.1.1.13.8.108](#)

Fetal Presentation at Birth- Cephalic (NCHS) [1.3.6.1.4.1.19376.1.7.3.1.1.13.8.109](#)

Fetal Presentation at Birth- Other (NCHS) [1.3.6.1.4.1.19376.1.7.3.1.1.13.8.110](#)

2080 Precipitous Labor (NCHS) [1.3.6.1.4.1.19376.1.7.3.1.1.13.8.130](#)

Prolonged Labor (NCHS) [1.3.6.1.4.1.19376.1.7.3.1.1.13.8.131](#)

Premature Rupture (NCHS) [1.3.6.1.4.1.19376.1.7.3.1.1.13.8.129](#)

Where the following location SHALL be populated with the code for 'finding', '404684003'

In:

2085 ClinicalDocument/component/structuredBody

/component/section[templateId[@root='1.3.6.1.4.1.19376.1.5.3.1.1.21.2.3']]

/component/section[templateId[@root='1.3.6.1.4.1.19376.1.7.3.1.1.13.7']]

/entry[templateId[@root='1.3.6.1.4.1.19376.1.5.3.1.4.5.2']]

/ observation[code[@code='404684003']]/value

2090

***Patient Transferred*** SHALL be documented using the following value set:

ICU Care (NCHS) [1.3.6.1.4.1.19376.1.7.3.1.1.13.8.188](#)

In:

ClinicalDocument/ component/structuredBody

2095 /component/section[templateId[@root='1.3.6.1.4.1.19376.1.5.3.1.1.21.2.3']]

/component/section[templateId[@root='1.3.6.1.4.1.19376.1.7.3.1.1.13.7']]

/component/section[templateId[@root= '1.3.6.1.4.1.19376.1.5.3.1.1.25.1.4.1']]  
/entry/act[@code='107724000']/entryRelationship/observation/value

2100 **6.3.1.D3.5.3.11 Newborn Delivery Information**

**6.3.1.D3.5.3.11.1 Subject Participation**

***Multiple Birth***

IF KNOWN, sdtc:multipleBirthInd SHALL be present to indicate whether the infant or fetus is part of a multiple birth in

2105 ClinicalDocument/structuredBody/component

/section[templateId[@root='1.3.6.1.4.1.19376.1.5.3.1.1.21.2.4']]  
/subject/relatedSubject[code[@code='NCHILD' AND  
id=idOfTheChild]]//subject/sdtc:multipleBirthIndicator

2110 ***Multiple Birth Order***

IF KNOWN, sdtc:birthOrder SHALL be present to indicate the order of the infant or fetus in a multiple birth in:

ClinicalDocument/structuredBody/component

/section[templateId[@root='1.3.6.1.4.1.19376.1.5.3.1.1.21.2.4']]

2115 /subject/relatedSubject[code[@code='NCHILD' AND id=idOfTheChild]]/subject/sdtc:birthOrder

***Infant's birthTime*** SHALL be present to indicate date and time of the birth in:

ClinicalDocument/structuredBody/component

2120 /section[templateId[@root='1.3.6.1.4.1.19376.1.5.3.1.1.21.2.4']]

/subject/relatedSubject[code[@code='NCHILD' AND id=idOfTheChild]]/subject/birthTime

Infant's Medical Record Number SHALL be present to indicate the number assigned by the organization for the child in:

2125 ClinicalDocument/structuredBody/component

/section[templateId[@root='1.3.6.1.4.1.19376.1.5.3.1.1.21.2.4']]

/subject/relatedSubject[code[@code='NCHILD' AND id=idOfTheChild]]/sdtc:id

**Administrative Gender** SHALL be present to indicate the sex of the baby in:

2130 ClinicalDocument/component/structuredBody/component  
/section[templateId[@root='2.16.840.1.113883.10.20.1.21']]  
/subject/relatedSubject/code[@code='NCHILD' AND  
id=idOfTheChild]/administrativeGenderCode

2135 **6.3.1.D3.5.3.12 Newborn Delivery Information.Coded Physical Detailed Examination**

Neurologic Systems: 1.3.6.1.4.1.19376.1.5.3.1.1.9.35

**Neurologic Conditions** SHALL be populated with coded findings (from the following value sets where the condition exists in the newborn (units are not applicable):

2140 Meningomyelocele/Spina Bifida - Newborn (NCHS) [1.3.6.1.4.1.19376.1.7.3.1.1.13.8.65](#)  
Anencephaly of the Newborn (NCHS) [1.3.6.1.4.1.19376.1.7.3.1.1.13.8.53](#)  
Cleft Lip with or without Cleft Palate (NCHS) [1.3.6.1.4.1.19376.1.7.3.1.1.13.8.58](#)  
Cleft Palate Alone (NCHS) [1.3.6.1.4.1.19376.1.7.3.1.1.13.8.189](#)

In:

2145 ClinicalDocument/component/structuredBody/  
component/section[templateId[@root=1.3.6.1.4.1.19376.1.5.3.1.1.21.2.4]]  
/subject/relatedSubject/code[@code='NCHILD' AND id=idOfTheChild]  
/component/section[templateId[@root=1.3.6.1.4.1.19376.1.5.3.1.1.9.15.1]]  
/component/section[templateId[@root=1.3.6.1.4.1.19376.1.5.3.1.1.9.35]]  
/entry/observation/value

2150 Where the following location SHALL be populated with the code for 'finding', '404684003'

In:

2155 ClinicalDocument/component/structuredBody  
/component/section[templateId[@root='1.3.6.1.4.1.19376.1.5.3.1.1.21.2.4']]  
/subject/relatedSubject/code[@code='NCHILD' AND id=idOfTheChild]  
/component/section[templateId[@root='1.3.6.1.4.1.19376.1.5.3.1.1.9.15.1']]  
/component/section[templateId[@root='1.3.6.1.4.1.19376.1.5.3.1.1.9.35']]  
/entry/observation/code

Heart 1.3.6.1.4.1.19376.1.5.3.1.1.9.29

- 2160 **Heart Conditions** SHALL be populated with coded findings (from the following value sets where the condition exists in the newborn (units are not applicable):

Cyanotic Congenital Heart Disease (NCHS) [1.3.6.1.4.1.19376.1.7.3.1.1.13.8.54](#)

In:

ClinicalDocument/component/structuredBody

- 2165 /component/section[templateId[@root='1.3.6.1.4.1.19376.1.5.3.1.1.21.2.4']]  
/subject/relatedSubject/code[@code='NCHILD' AND id=idOfTheChild]  
/component/section[templateId[@root='1.3.6.1.4.1.19376.1.5.3.1.1.9.15.1']]  
/component/section[templateId[@root='1.3.6.1.4.1.19376.1.5.3.1.1.9.29']]  
/entry/ observation/value

- 2170 Where the following location SHALL be populated with the code for 'finding', '404684003'

In:

ClinicalDocument/component/structuredBody

- 2175 /component/section[templateId[@root='1.3.6.1.4.1.19376.1.5.3.1.1.21.2.4']]  
/ subject/relatedSubject/code[@code='NCHILD' AND id=idOfTheChild]  
/ component/section[templateId[@root='1.3.6.1.4.1.19376.1.5.3.1.1.9.15.1']]  
/component/section[templateId[@root='1.3.6.1.4.1.19376.1.5.3.1.1.9.29']]  
/entry/ observation/code

- 2180 Digestive System 1.3.6.1.4.1.19376.1.5.3.1.1.9.31

**Digestive Conditions** SHALL be populated with coded findings (from the following value sets where the condition exists in the newborn (units are not applicable)

Gastroschisis of the Newborn (NCHS) [1.3.6.1.4.1.19376.1.7.3.1.1.13.8.62](#)

In:

- 2185 ClinicalDocument/component/structuredBody  
/component/section[templateId[@root='1.3.6.1.4.1.19376.1.5.3.1.1.21.2.4']]  
/ subject/relatedSubject/code[@code='NCHILD' AND id=idOfTheChild]  
/ component/section[templateId[@root='1.3.6.1.4.1.19376.1.5.3.1.1.9.15.1']]  
/component/section[templateId[@root='1.3.6.1.4.1.19376.1.5.3.1.1.9.31']]

2190 /entry/ observation/value

Where the following location SHALL be populated with the code for ‘finding’, ‘404684003’

In:

ClinicalDocument/component/structuredBody

2195 /component/section[templateId[@root='1.3.6.1.4.1.19376.1.5.3.1.1.21.2.4']]

/ subject/relatedSubject/code[@code='NCHILD' AND id=idOfTheChild]

/ component/section[templateId[@root='1.3.6.1.4.1.19376.1.5.3.1.1.9.15.1']]

/component/section[templateId[@root='1.3.6.1.4.1.19376.1.5.3.1.1.9.31']]

/entry/ observation/code

2200

Musculoskeletal System 1.3.6.1.4.1.19376.1.5.3.1.1.9.34

***Musculoskeletal Conditions*** SHALL be populated with coded findings (from the following value sets where the condition exists in the newborn (units are not applicable)

Limb Reduction Defect (NCHS) [6.1.4.1.19376.1.7.3.1.1.13.8.64](#)

2205 In:

ClinicalDocument/component/structuredBody

/component/section[templateId[@root='1.3.6.1.4.1.19376.1.5.3.1.1.21.2.4']]

/ subject/relatedSubject/code[@code='NCHILD' AND id=idOfTheChild]

/ component/section[templateId[@root='1.3.6.1.4.1.19376.1.5.3.1.1.9.15.1']]

2210 /component/section[templateId[@root='1.3.6.1.4.1.19376.1.5.3.1.1.9.34']]

/entry/ observation/value

Where the following location SHALL be populated with the code for ‘finding’, ‘404684003’

In:

2215 ClinicalDocument/component/structuredBody

/component/section[templateId[@root='1.3.6.1.4.1.19376.1.5.3.1.1.21.2.4']]

/ subject/relatedSubject/code[@code='NCHILD' AND id=idOfTheChild]

/ component/section[templateId[@root='1.3.6.1.4.1.19376.1.5.3.1.1.9.15.1']]

/component/section[templateId[@root='1.3.6.1.4.1.19376.1.5.3.1.1.9.34']]



2220 /entry /observation/code

Abdomen 1.3.6.1.4.1.19376.1.5.3.1.1.9.31

**Abdominal Conditions** SHALL be populated with coded findings (from the following value sets where the condition exists in the newborn (units are not applicable)

2225 Omphalocele of the Newborn (NCHS) [1.3.6.1.4.1.19376.1.7.3.1.1.13.8.66](#)

In:

ClinicalDocument/component/structuredBody

/component/section[templateId[@root='1.3.6.1.4.1.19376.1.5.3.1.1.21.2.4']]

/ subject/relatedSubject/code[@code='NCHILD' AND id=idOfTheChild]

2230 / component/section[templateId[@root='1.3.6.1.4.1.19376.1.5.3.1.1.9.15.1']]

/component/section[templateId[@root='1.3.6.1.4.1.19376.1.5.3.1.1.9.31']]

/entry/ observation/value

Where the following location SHALL be populated with the code for 'finding', '404684003'

In:

2235

ClinicalDocument/component/structuredBody

/component/section[templateId[@root='1.3.6.1.4.1.19376.1.5.3.1.1.21.2.4']]

/ subject/relatedSubject/code[@code='NCHILD' AND id=idOfTheChild]

] / component/section[templateId[@root='1.3.6.1.4.1.19376.1.5.3.1.1.9.15.1']]

2240 /component/section[templateId[@root='1.3.6.1.4.1.19376.1.5.3.1.1.9.31']]

/entry/ observation/code

Genitalia 1.3.6.1.4.1.19376.1.5.3.1.1.9.36

**Genitalia Conditions** SHALL be populated with coded findings (from the following value sets where the condition exists in the newborn (units are not applicable)

2245 Hypospadias (NCHS) [1.3.6.1.4.1.19376.1.7.3.1.1.13.8.63](#)

In:

ClinicalDocument/component/structuredBody

/component/section[templateId[@root='1.3.6.1.4.1.19376.1.5.3.1.1.21.2.4']]

/ subject/relatedSubject/code[@code='NCHILD' AND id=idOfTheChild]

2250 / component/section[templateId[@root='1.3.6.1.4.1.19376.1.5.3.1.1.9.15.1']]

/component/section[templateId[@root='1.3.6.1.4.1.19376.1.5.3.1.1.9.36']]

/entry/ observation/value

Where the following location SHALL be populated with the code for 'finding', '404684003'

In:

2255

ClinicalDocument/component/structuredBody

/component/section[templateId[@root='1.3.6.1.4.1.19376.1.5.3.1.1.21.2.4']]

/ subject/relatedSubject/code[@code='NCHILD' AND id=idOfTheChild]

/ component/section[templateId[@root='1.3.6.1.4.1.19376.1.5.3.1.1.9.15.1']]

2260

/component/section[templateId[@root='1.3.6.1.4.1.19376.1.5.3.1.1.9.36']]

/entry/ observation/code

### **6.3.1.D3.5.3.13 Newborn Delivery Information.Coded Detailed Physical Examination.Coded Vital Signs**

Coded Vital Signs 1.3.6.1.4.1.19376.1.5.3.1.1.5.3.2

2265

**Body Weight** SHALL be included, using the following value set:

Body Weight (NCHS) [2.16.840.1.114222.4.11.7421](#)

In:

ClinicalDocument/component/structuredBody

/component/section[templateId[@root='1.3.6.1.4.1.19376.1.5.3.1.1.21.2.4']]

2270

/subject/relatedSubject/code[@code='NCHILD' AND id=idOfTheChild]

/component/section[templateId[@root='1.3.6.1.4.1.19376.1.5.3.1.1.9.15.1']]

/component/section[templateId[@root='1.3.6.1.4.1.19376.1.5.3.1.1.5.3.2']]

/entry/organizer/component /observation/code

2275

The weight measurement SHALL be provided using

ClinicalDocument/component/structuredBody

/component/section[templateId[@root='1.3.6.1.4.1.19376.1.5.3.1.1.21.2.4']]

/subject/relatedSubject/code[@code='NCHILD' AND id=idOfTheChild]

/ component/section[templateId[@root='1.3.6.1.4.1.19376.1.5.3.1.1.9.15.1']]

2280

/component/section[templateId[@root='1.3.6.1.4.1.19376.1.5.3.1.1.5.3.2']]

/entry/organizer/component /observation/value

And the weight SHALL be expressed using UCUM for units with the preference to express in grams.

with methodCode detailed using the following value set::

2285 Birth Weight (NCHS) [1.3.6.1.4.1.19376.1.7.3.1.1.13.8.20](#)

In:

ClinicalDocument/component/structuredBody

/component/section[templateId[@root='1.3.6.1.4.1.19376.1.5.3.1.1.21.2.4;]]

/subject/relatedSubject/code[@code='NCHILD' AND id=idOfTheChild]

2290 / component/section[templateId[@root='1.3.6.1.4.1.19376.1.5.3.1.1.9.15.1']]

]component/section[templateId[@root='1.3.6.1.4.1.19376.1.5.3.1.1.5.3.2']]

/entry/organizer/component /observation/methodCode

### 2295 **6.3.1.D3.5.3.14 Newborn Delivery Information.Coded Detailed Physical Examination.General Appearance**

**General Appearance Findings** SHALL be populated with coded findings (from the following value sets where the condition exists in the newborn (units are not applicable)::

Suspected Chromosomal Disorder (NCHS) [1.3.6.1.4.1.19376.1.7.3.1.1.13.8.57](#)

Downs Syndrome (NCHS) [1.3.6.1.4.1.19376.1.7.3.1.1.13.8.61](#)

2300 Congenital Diaphragmatic Hernia (NCHS) [1.3.6.1.4.1.19376.1.7.3.1.1.13.8.55](#)

Karyotype Confirmed (NCHS) [1.3.6.1.4.1.19376.1.7.3.1.1.13.8.56](#)

In:

ClinicalDocument/component/structuredBody

/component/section[templateId[@root='1.3.6.1.4.1.19376.1.5.3.1.1.21.2.4']]

2305 / subject/relatedSubject/code[@code='NCHILD' AND id=idOfTheChild]

/ component/section[templateId[@root='1.3.6.1.4.1.19376.1.5.3.1.1.9.15.1']]

/component/section[templateId[@root='1.3.6.1.4.1.19376.1.5.3.1.1.9.16']]

/entry /observation/value

Where the following location SHALL be populated with the code for 'finding', '404684003'

2310 In:

ClinicalDocument/component/structuredBody

/component/section[templateId[@root='1.3.6.1.4.1.19376.1.5.3.1.1.21.2.4']]

/subject/relatedSubject/code[@code='NCHILD' AND id=idOfTheChild]

2315 /component/section[templateId[@root='1.3.6.1.4.1.19376.1.5.3.1.1.9.15.1']]

/component/section[templateId[@root='1.3.6.1.4.1.19376.1.5.3.1.1.9.16']]

/entry/observation/code

**Apgar Score** SHALL be provided for the **5-Minute Apgar Score**, using the value set:

2320 5 Min Apgar Score (NCHS) [1.3.6.1.4.1.19376.1.7.3.1.1.13.8.12](#)

IF the 5-Minute Apgar Score is  $\leq 5$ , then the **10-Minute Apgar Score** SHALL be provided, Identified using the value set:

10 Min Apgar Score (NCHS) [1.3.6.1.4.1.19376.1.7.3.1.1.13.8.13](#)

2325 In:

ClinicalDocument/component/structuredBody

/component/section[templateId[@root='1.3.6.1.4.1.19376.1.5.3.1.1.21.2.4']]

/subject/relatedSubject/code[@code='NCHILD' AND id=idOfTheChild]

/component/section[templateId[@root='1.3.6.1.4.1.19376.1.5.3.1.1.9.15.1']]

2330 /component/section[templateId[@root='1.3.6.1.4.1.19376.1.5.3.1.1.9.16']]

/entry/observation/code

The Apgar Scores (value) SHALL be provided using

ClinicalDocument/component/structuredBody

2335 /component/section[templateId[@root='1.3.6.1.4.1.19376.1.5.3.1.1.21.2.4']]

/subject/relatedSubject/code[@code='NCHILD' AND id=idOfTheChild]

/component/section[templateId[@root='1.3.6.1.4.1.19376.1.5.3.1.1.9.15.1']]

/component/section[templateId[@root='1.3.6.1.4.1.19376.1.5.3.1.1.9.16']]

/entry/observation/value

2340 where the value is  $INT \leq 10$

### 6.3.1.D3.5.3.15 Newborn Delivery Information.Active Problems

**Problem Code** SHALL be included for the using the following value sets where these conditions are present:

- 2345            Seizure or Serious Neurologic Dysfunction (NCHS) [1.3.6.1.4.1.19376.1.7.3.1.1.13.8.10](#)  
                  Breastfed Infant (NCHS) [1.3.6.1.4.1.19376.1.7.3.1.1.13.8.41](#)

In:

ClinicalDocument/component/structuredBody

/component/section[templateId[@root='1.3.6.1.4.1.19376.1.5.3.1.1.21.2.4']]

- 2350            /subject/relatedSubject/code[@code='NCHILD' AND id=idOfTheChild]

/component/section[templateId[@root='1.3.6.1.4.1.19376.1.5.3.1.3.6']]

/entry/act/entryRelationship/observation/code

**Problem Date and Time** SHALL be included for all problems if known in:

ClinicalDocument/component/structuredBody

- 2355            /component/section[templateId[@root='1.3.6.1.4.1.19376.1.5.3.1.1.21.2.4']]

/subject/relatedSubject/code[@code='NCHILD' AND id=idOfTheChild]

/component/section[templateId[@root='1.3.6.1.4.1.19376.1.5.3.1.3.6']]

/entry/act/entryRelationship/observation/code

### 6.3.1.D3.5.3.16 Newborn Delivery Information.Procedures and Interventions

- 2360            **Procedure** SHALL include the coded procedure using the following value sets where these procedures were performed on the patient:

                  Antibiotic Administration Procedure (NCHS) [1.3.6.1.4.1.19376.1.7.3.1.1.13.8.178](#)

                  Assisted Ventilation (NCHS) [2.16.840.1.114222.4.11.7156](#)

                  Karyotype Determination (NCHS) [1.3.6.1.4.1.19376.1.7.3.1.1.13.8.154](#)

- 2365            Autopsy Performed (NCHS) [1.3.6.1.4.1.19376.1.7.3.1.1.13.8.1](#)

                  Autopsy Planned (NCHS) [2.16.840.1.114222.4.11.7140](#)

                  Surfactant Replacement Therapy (NCHS) [2.16.840.1.114222.4.11.7431](#)

In:

ClinicalDocument/component/structuredBody

- 2370            /component/section[templateId[@root='1.3.6.1.4.1.19376.1.5.3.1.1.21.2.4']]

/ subject/relatedSubject/code[@code='NCHILD' AND id=idOfTheChild]

/component/section[templateId[@root='1.3.6.1.4.1.19376.1.5.3.1.1.13.2.11']]

/entry/procedure/code

**Procedure Date and Time** SHALL be included for all procedures performed if known in:

2375 ClinicalDocument/component/structuredBody

/component/section[templateId[@root='1.3.6.1.4.1.19376.1.5.3.1.1.21.2.4']]

/subject/relatedSubject/code[@code='NCHILD' AND id=idOfTheChild]

/component/section[templateId[@root='1.3.6.1.4.1.19376.1.5.3.1.1.13.2.11']]

/entry/procedure/effectiveTime

2380 **6.3.1.D3.5.3.17 Newborn Delivery Information.Medications Administered**

**Medication Coded Product**

SHALL include the coded product name using the following value sets where these products were given to the patient:

2385 Newborn Receiving Surfactant Replacement Therapy (NCHS)

[1.3.6.1.4.1.19376.1.7.3.1.1.13.8.11](#)

Antibiotics (NCHS) [1.3.6.1.4.1.19376.1.7.3.1.1.13.8.3](#)

In:

ClinicalDocument/component/structuredBody

/component/section[templateId[@root='1.3.6.1.4.1.19376.1.5.3.1.1.21.2.4']]

2390 /subject/relatedSubject/code[@code='NCHILD' AND id=idOfTheChild]

/component/section[templateId[@root='1.3.6.1.4.1.19376.1.5.3.1.3.21']]

/substanceAdministration/ consumable/manufacturedProduct/labeledDrug/code

2395 **Route** SHALL specifically indicate the route where IV or IM administration route is used where Antibiotics are administered for Neonatal Sepsis using the following value sets:

IM Medication Administration Route (NCHS) [1.3.6.1.4.1.19376.1.7.3.1.1.13.8.5](#)

IV Medication Administration Route (NCHS) [1.3.6.1.4.1.19376.1.7.3.1.1.13.8.4](#)

In:

ClinicalDocument/component/structuredBody

2400 /component/section[[templateId[@root='1.3.6.1.4.1.19376.1.5.3.1.1.21.2.4']]

/subject/relatedSubject/code[@code='NCHILD' AND id=idOfTheChild]

/component/section templateId[@root='1.3.6.1.4.1.19376.1.5.3.1.3.21']]

/entry/substanceAdministration/routeCode

2405 **Medication indication** SHALL be coded using SNOMED-CT where Antibiotics are administered for Neonatal Sepsis using the value set:

Neonatal Sepsis (NCHS) [1.3.6.1.4.1.19376.1.7.3.1.1.13.8.6](#)

In:

ClinicalDocument/component/structuredBody

2410 /component/section[[templateId[@root='1.3.6.1.4.1.19376.1.5.3.1.1.21.2.4']]]  
/subject/relatedSubject/code[@code='NCHILD' AND id=idOfTheChild]  
/component/section[templateId[@root='1.3.6.1.4.1.19376.1.5.3.1.3.21']]]  
/entry/substanceAdministration/entryRelationship[@typeCode='RSON']  
/observation[cda:templateId/@root='2.16.840.1.113883.10.20.1.28']/code

2415 **6.3.1.D3.5.3.18 Newborn Delivery Information.Coded Event Outcomes**

Significant findings: SHALL be documented using the following value sets if known.

Significant Birth Injury (NCHS) [1.3.6.1.4.1.19376.1.7.3.1.1.13.8.9](#)

Neonatal Death (NCHS) [1.3.6.1.4.1.19376.1.7.3.1.1.13.8.149](#)

In:

2420 ClinicalDocument/component/structuredBody

/component/section[templateId[@root='1.3.6.1.4.1.19376.1.5.3.1.1.21.2.4']]]  
/subject/relatedSubject/code[@code='NCHILD' AND id=idOfTheChild]  
/component/section[templateId[@root='1.3.6.1.4.1.19376.1.7.3.1.1.13.7']]]  
/entry/observation/value

2425 Where the following location SHALL be populated with the code for 'finding', '404684003'

In:

ClinicalDocument/component/structuredBody

2430 /component/section[templateId[@root='1.3.6.1.4.1.19376.1.5.3.1.1.21.2.4']]]  
/subject/relatedSubject/code[@code='NCHILD' AND id=idOfTheChild]  
/component/section[templateId[@root='1.3.6.1.4.1.19376.1.7.3.1.1.13.7']]]  
/entry/observation/code

2435 Setting Where the Child was Born, SHALL include the observation code indicating the setting location:

Birthplace Setting (NCHS) [1.3.6.1.4.1.19376.1.7.3.1.1.13.8.184](#)

In:

ClinicalDocument/component/structuredBody

/ component/section[templateId[@root='1.3.6.1.4.1.19376.1.5.3.1.1.21.2.4']]

2440 / subject/relatedSubject/code[@code='NCHILD' AND id=idOfTheChild]

/ component/section[templateId[@root='1.3.6.1.4.1.19376.1.7.3.1.1.13.7']]

/entry/ observation/code

Reflecting the setting where the child was born using the value sets:

Birthplace Hospital (NCHS) [1.3.6.1.4.1.19376.1.7.3.1.1.13.8.192](#)

2445 Birth Place Home Intended (NCHS) [1.3.6.1.4.1.19376.1.7.3.1.1.13.8.193](#)

Birth Place Home Unintended (NCHS) [1.3.6.1.4.1.19376.1.7.3.1.1.13.8.194](#)

Birth Place Home Unknown Intention (NCHS) [1.3.6.1.4.1.19376.1.7.3.1.1.13.8.195](#)

Birthplace Clinic Office (NCHS) [1.3.6.1.4.1.19376.1.7.3.1.1.13.8.197](#)

Birth Place Freestanding Birthing Center (NCHS) [1.3.6.1.4.1.19376.1.7.3.1.1.13.8.196](#)

2450 In:

ClinicalDocument/component/structuredBody

/ component/section[templateId[@root='1.3.6.1.4.1.19376.1.5.3.1.1.21.2.4']]

/ subject/relatedSubject/code[@code='NCHILD' AND id=idOfTheChild]

/ component/section[templateId[@root='1.3.6.1.4.1.19376.1.7.3.1.1.13.7']]

2455 /entry/ observation/value

***Patient Transferred to NICU*** SHALL be documented using the following value set:

NICU Care (NCHS) [1.3.6.1.4.1.19376.1.7.3.1.1.13.8.198](#)

In:

2460 ClinicalDocument/component/structuredBody

/component/section[templateId[@root='1.3.6.1.4.1.19376.1.5.3.1.1.21.2.4']]

/ subject/relatedSubject/code[@code='NCHILD' AND id=idOfTheChild]



2465 / component/section[templateId[@root='1.3.6.1.4.1.19376.1.7.3.1.1.13.7']]  
/component/section[templateId[@root='1.3.6.1.4.1.19376.1.5.3.1.1.25.1.4.1']]  
/entry /observation/code

**Patient Transferred to Another Facility** SHALL be documented using the following value set:

Transfer to (NCHS) [1.3.6.1.4.1.19376.1.7.3.1.1.13.8.190](#)

In:

2470 ClinicalDocument/component/structuredBody  
/component/section[templateId[@root='1.3.6.1.4.1.19376.1.5.3.1.1.21.2.4']]  
/ subject/relatedSubject/code[@code='NCHILD' AND id=idOfTheChild]  
/component/section[templateId[@root='1.3.6.1.4.1.19376.1.7.3.1.1.13.7']]  
/component/section[templateId[@root='1.3.6.1.4.1.19376.1.5.3.1.1.25.1.4.1']]  
/entry/act/ participant[typeCode='DST']/participantRole[@typecode='SDLOC']/code

2475 Documenting the Institution that the patient was referred to in:

ClinicalDocument/component/structuredBody  
/component/section[templateId[@root='1.3.6.1.4.1.19376.1.5.3.1.1.21.2.3']]  
/component/section[templateId[@root='1.3.6.1.4.1.19376.1.7.3.1.1.13.7']]  
/component/section[templateId[@root='1.3.6.1.4.1.19376.1.5.3.1.1.25.1.4.1']]  
2480 /entry/act/  
participant[typeCode='DST']/participantRole[@typecode='SDLOC']/playingEntityChoice/playingEntity/name

2485 For Fetal Deaths, indication of whether a ***Histological Placental Examination was Performed*** shall be documented using

ClinicalDocument/component/structuredBody  
/ component/section[templateId[@root='1.3.6.1.4.1.19376.1.5.3.1.1.21.2.4']]  
/ subject/relatedSubject/code[@code='NCHILD' AND id=idOfTheChild]  
/ component/section[templateId[@root='1.3.6.1.4.1.19376.1.7.3.1.1.13.7']]  
2490 /entry/ observation/code

Using the value set:

Histological Placental Examination Performed (NCHS) [2.16.840.1.114222.4.11.7430](#)

And indicating whether or not the Histological Placental Examination was performed using

ClinicalDocument/component/structuredBody

2495 / component/section[templateId[@root='1.3.6.1.4.1.19376.1.5.3.1.1.21.2.4']]  
/ subject/relatedSubject/code[@code='NCHILD' AND id=idOfTheChild]  
/ component/section[templateId[@root='1.3.6.1.4.1.19376.1.7.3.1.1.13.7']]  
/entry /observation/value

Using the value set:

2500 Histological Placental Examination (NCHS) [2.16.840.1.114222.4.11.7138](#)

For Fetal Deaths, **Time of Fetal Death** SHALL be documented using

ClinicalDocument/component/structuredBody

2505 / component/section[templateId[@root='1.3.6.1.4.1.19376.1.5.3.1.1.21.2.4']]  
/ subject/relatedSubject/code[@code='NCHILD' AND id=idOfTheChild]  
/ component/section[templateId[@root='1.3.6.1.4.1.19376.1.7.3.1.1.13.7']]  
/entry /observation/code

Using the value set:

Estimated Time Of Fetal Death (NCHS) [2.16.840.1.114222.4.11.7426](#)

And indicating the Time point of the fetal death using

2510 ClinicalDocument/component/structuredBody  
/ component/section[templateId[@root='1.3.6.1.4.1.19376.1.5.3.1.1.21.2.4']]  
/ subject/relatedSubject/code[@code='NCHILD' AND id=idOfTheChild]  
/ component/section[templateId[@root='1.3.6.1.4.1.19376.1.7.3.1.1.13.7']]  
/entry /observation/value

2515 Using the value set:

Fetal Death Time Point (NCHS) [2.16.840.1.114222.4.11.7112](#)

### **6.3.1.D3.5.3.19 Newborn Delivery Information.Coded Results**

Coded results,

2520 **Karyotype Results** SHALL use the simple observation template to represent the following value set for the 'code' element.

Karyotype Result (NCHS) [1.3.6.1.4.1.19376.1.7.3.1.1.13.8.59](#)

In: ClinicalDocument/component/structuredBody

2525 /component/section[templateId[@root='1.3.6.1.4.1.19376.1.5.3.1.3.28']]  
 /subject/relatedSubject/code[@code='NCHILD' AND id=idOfTheChild]  
 /entry[templateID[@root='1.3.6.1.4.1.19376.1.5.3.1.4.13']]  
 / observation/code

The 'value' element not constrained

2530 **6.3.1.D3.5.3.20 Payers**

Payer (NOTE: payers is inherited from Medical Summary as an Optional Section)

SHOULD include payer information in:

2535 ClinicalDocument/component/structuredBody  
 /component/section[templateId[@root='1.3.6.1.4.1.19376.1.5.3.1.1.5.3.7']]  
 /entry/act[code@code='48768-6']  
 /entryRelationship/act[templateId[@root='1.3.6.1.4.1.19376.1.5.3.1.4.18']/code

2540 The <code> element should be present, and represents the type of coverage provided by the payer. Potential vocabularies to use include:

**Table 6.3.1.D3.5.3.20-1: Payer Type Vocabularies**

Vocabulary	Description	OID
HL7 ActCoverageType	The HL7 ActCoverageType vocabulary describes payers and programs. Note that HL7 does not have a specific code to identify an individual payer, e.g., in the role of a guarantor or patient.	2.16.840.1.113883.5.4
X12 Data Element 1336	The X12N 271 implementation guide includes various types of payers. This code set does include a code to identify individual payers.	2.16.840.1.113883.6.255.1336

**6.3.1.D3.6 Document Example**

2545 CDA Release 2.0 documents that conform to the requirements of this document content module shall indicate their conformance by the inclusion of the 1.3.6.1.4.1.19376.1.7.3.1.1.19.1.1 XML elements in the header of the document.

A CDA Document may conform to more than one template. This content module inherits from the PCC TF Medical Document, 1.3.6.1.4.1.19376.1.5.3.1.1.1, content module and the PCC TF Labor and Delivery Summary Document Template, 1.3.6.1.4.1.19376.1.5.3.1.1.21.1.2, and so

2550

must conform to the requirements of those templates as well this document specification, Labor and Delivery Summary – Vital Records 1.3.6.1.4.1.19376.1.7.3.1.1.19.1.1

A complete example of the Labor and Delivery Summary – Vital Records (LDS-VR) Document Content Module is available on the IHE ftp server at:

2555 [ftp://ftp.ihe.net/TF\\_Implementation\\_Material/QRPH/packages/](ftp://ftp.ihe.net/TF_Implementation_Material/QRPH/packages/). Note that this is an example and is meant to be informative and not normative. This example shows the 1.3.6.1.4.1.19376.1.7.3.1.1.19.1.1 elements for all of the specified templates.

### 6.3.2 CDA Header Templates

2560 *Add to section 6.3.2 Header Content Module Templates*

None

### 6.3.3 CDA Section Templates

*Add to section 6.3.3.10 Section Content Module Templates*

None

### 2565 6.3.4 CDA Entry Content Module Templates

*Add to section 6.3.4.E Entry Content Modules*

None

## 6.4 Section not applicable

This heading is not currently used in a CDA document.

## 2570 6.5 Value Sets

The following table describes each of the value sets used to support the BFDR Profile. These are all published by and available from the PHIN Vocabulary Access and Distribution System (PHIN VADS). Each of the value sets below are established as extensional with the discrete values available at the PHIN-VADS URL provided. Version status may change from time-to-time as these value sets are maintained by NCHS, so version number should not be referenced when using these value sets in support of the BFDR Profile. Similarly, associated date related metadata attributes will be changed as a result of value set maintenance activities, and can be obtained at the PHIN-VADS URL provided. BFDR-E Vocabulary has dynamic binding of value sets. In dynamic binding the most current version of the value set in the terminology server is used.

2580

### 6.5.1 Value Sets used by this profile

**Table 6.5.1-1: LDS-VR Document Template Specification**

Name	Identifier	Purpose	Source	PHIN VADS URL	Groups
10 Min Apgar Score (NCHS)	1.3.6.1.4.1.19 376.1.7.3.1.1. 13.8.13	To reflect the 10 Min Apgar Score	LOINC	<a href="https://phinvads.cdc.gov/vads/ViewValueSet.action?oid=1.3.6.1.4.1.19376.1.7.3.1.1.13.8.13">https://phinvads.cdc.gov/vads/ViewValueSet.action?oid=1.3.6.1.4.1.19376.1.7.3.1.1.13.8.13</a>	IHE BFDR
5 Min Apgar Score (NCHS)	1.3.6.1.4.1.19 376.1.7.3.1.1. 13.8.12	To reflect the 5 Min Apgar Score	LOINC	<a href="https://phinvads.cdc.gov/vads/ViewValueSet.action?oid=1.3.6.1.4.1.19376.1.7.3.1.1.13.8.12">https://phinvads.cdc.gov/vads/ViewValueSet.action?oid=1.3.6.1.4.1.19376.1.7.3.1.1.13.8.12</a>	IHE BFDR
Anencephaly of the Newborn (NCHS)	1.3.6.1.4.1.19 376.1.7.3.1.1. 13.8.53	To reflect Anencephaly of the Newborn as an anomaly of the newborn	SNOME D-CT	<a href="https://phinvads.cdc.gov/vads/ViewValueSet.action?oid=1.3.6.1.4.1.19376.1.7.3.1.1.13.8.53">https://phinvads.cdc.gov/vads/ViewValueSet.action?oid=1.3.6.1.4.1.19376.1.7.3.1.1.13.8.53</a>	IHE BFDR
Antibiotic Administration Procedure (NCHS)	1.3.6.1.4.1.19 376.1.7.3.1.1. 13.8.178	To reflect Antibiotic Administration Procedure during labor and delivery	SNOME D-CT	<a href="https://phinvads.cdc.gov/vads/ViewValueSet.action?oid=1.3.6.1.4.1.19376.1.7.3.1.1.13.8.178">https://phinvads.cdc.gov/vads/ViewValueSet.action?oid=1.3.6.1.4.1.19376.1.7.3.1.1.13.8.178</a>	IHE BFDR
Antibiotics (NCHS)	1.3.6.1.4.1.19 376.1.7.3.1.1. 13.8.3	To reflect that antibiotics were received by the mother during delivery and by the newborn for suspected neonatal sepsis	RxNorm	<a href="https://phinvads.cdc.gov/vads/ViewValueSet.action?oid=1.3.6.1.4.1.19376.1.7.3.1.1.13.8.3">https://phinvads.cdc.gov/vads/ViewValueSet.action?oid=1.3.6.1.4.1.19376.1.7.3.1.1.13.8.3</a>	IHE BFDR
Artificial or Intrauterine Insemination (NCHS)	1.3.6.1.4.1.19 376.1.7.3.1.1. 13.8.145	To reflect the Artificial or Intrauterine Insemination as a Risk Factor in Pregnancy	SNOME D-CT	<a href="https://phinvads.cdc.gov/vads/ViewValueSet.action?oid=1.3.6.1.4.1.19376.1.7.3.1.1.13.8.145">https://phinvads.cdc.gov/vads/ViewValueSet.action?oid=1.3.6.1.4.1.19376.1.7.3.1.1.13.8.145</a>	IHE BFDR
Assisted Ventilation (NCHS)	2.16.840.1.11 4222.4.11.715 6	To reflect that the newborn was provided assisted ventilation reflecting an abnormal condition of the newborn	SNOME D-CT	<a href="https://phinvads.cdc.gov/vads/ViewValueSet.action?oid=2.16.840.1.114222.4.11.7156">https://phinvads.cdc.gov/vads/ViewValueSet.action?oid=2.16.840.1.114222.4.11.7156</a>	IHE BFDR
Assistive Reproductive Technology (NCHS)	1.3.6.1.4.1.19 376.1.7.3.1.1. 13.8.146	To reflect the Assistive Reproductive Technology as a Risk Factor in Pregnancy	SNOME D-CT	<a href="https://phinvads.cdc.gov/vads/ViewValueSet.action?oid=1.3.6.1.4.1.19376.1.7.3.1.1.13.8.146">https://phinvads.cdc.gov/vads/ViewValueSet.action?oid=1.3.6.1.4.1.19376.1.7.3.1.1.13.8.146</a>	IHE BFDR
Augmentation of Labor - Medication (NCHS)	1.3.6.1.4.1.19 376.1.7.3.1.1. 13.8.23	To reflect a medication used for the of Augmentation of Labor	RxNorm	<a href="https://phinvads.cdc.gov/vads/ViewValueSet.action?oid=1.3.6.1.4.1.19376.1.7.3.1.1.13.8.23">https://phinvads.cdc.gov/vads/ViewValueSet.action?oid=1.3.6.1.4.1.19376.1.7.3.1.1.13.8.23</a>	IHE BFDR

IHE Quality, Research and Public Health Technical Framework Supplement – Birth and Fetal Death Reporting-Enhanced (BFDR-E)

Name	Identifier	Purpose	Source	PHIN VADS URL	Groups
Augmentation of Labor - Procedure (NCHS)	1.3.6.1.4.1.19 376.1.7.3.1.1. 13.8.22	To reflect a procedure of Augmentation of Labor	SNOME D-CT	<a href="https://phinvads.cdc.gov/vads/ViewValueSet.action?oid=1.3.6.1.4.1.19376.1.7.3.1.1.13.8.22">https://phinvads.cdc.gov/vads/ViewValueSet.action?oid=1.3.6.1.4.1.19376.1.7.3.1.1.13.8.22</a>	IHE BFDR
Autopsy Planned (NCHS)	2.16.840.1.11 4222.4.11.714 0	To reflect that an autopsy was planned	SNOME D-CT	<a href="https://phinvads.cdc.gov/vads/ViewValueSet.action?oid=2.16.840.1.114222.4.11.7140">https://phinvads.cdc.gov/vads/ViewValueSet.action?oid=2.16.840.1.114222.4.11.7140</a>	IHE BFDR
Birth Plurality of Delivery (NCHS)	1.3.6.1.4.1.19 376.1.7.3.1.1. 13.8.132	To reflect the Plurality, which is the number of fetuses delivered live or dead at any time in the pregnancy regardless of gestational age or if the fetuses were delivered at different dates in the pregnancy. (“Reabsorbed” fetuses, those which are not “delivered” (expulsed or extracted from the mother) should not be counted.)	LOINC	<a href="https://phinvads.cdc.gov/vads/ViewValueSet.action?oid=1.3.6.1.4.1.19376.1.7.3.1.1.13.8.132">https://phinvads.cdc.gov/vads/ViewValueSet.action?oid=1.3.6.1.4.1.19376.1.7.3.1.1.13.8.132</a>	IHE BFDR
Birth Weight (NCHS)	1.3.6.1.4.1.19 376.1.7.3.1.1. 13.8.20	To reflect the Birth Weight	LOINC	<a href="https://phinvads.cdc.gov/vads/ViewValueSet.action?oid=1.3.6.1.4.1.19376.1.7.3.1.1.13.8.20">https://phinvads.cdc.gov/vads/ViewValueSet.action?oid=1.3.6.1.4.1.19376.1.7.3.1.1.13.8.20</a>	IHE BFDR
Birthplace Clinic Office (NCHS)	1.3.6.1.4.1.19 376.1.7.3.1.1. 13.8.197	To reflect the birth occurred in the at clinic or office	SNOME D-CT	<a href="https://phinvads.cdc.gov/vads/ViewValueSet.action?oid=1.3.6.1.4.1.19376.1.7.3.1.1.13.8.197">https://phinvads.cdc.gov/vads/ViewValueSet.action?oid=1.3.6.1.4.1.19376.1.7.3.1.1.13.8.197</a>	IHE BFDR
Birth Place Freestanding Birthing Center (NCHS)	1.3.6.1.4.1.19 376.1.7.3.1.1. 13.8.196	To reflect the birth occurred at a freestanding birthing center	SNOME D-CT	<a href="https://phinvads.cdc.gov/vads/ViewValueSet.action?oid=1.3.6.1.4.1.19376.1.7.3.1.1.13.8.196">https://phinvads.cdc.gov/vads/ViewValueSet.action?oid=1.3.6.1.4.1.19376.1.7.3.1.1.13.8.196</a>	IHE BFDR
Birth Place Home Intended (NCHS)	1.3.6.1.4.1.19 376.1.7.3.1.1. 13.8.193	To reflect the birth occurred in the at home as intended	SNOME D-CT	<a href="https://phinvads.cdc.gov/vads/ViewValueSet.action?oid=1.3.6.1.4.1.19376.1.7.3.1.1.13.8.193">https://phinvads.cdc.gov/vads/ViewValueSet.action?oid=1.3.6.1.4.1.19376.1.7.3.1.1.13.8.193</a>	IHE BFDR
Birth Place Home Unintended (NCHS)	1.3.6.1.4.1.19 376.1.7.3.1.1. 13.8.194	To reflect the birth occurred in the at home as unintended	SNOME D-CT	<a href="https://phinvads.cdc.gov/vads/ViewValueSet.action?oid=1.3.6.1.4.1.19376.1.7.3.1.1.13.8.194">https://phinvads.cdc.gov/vads/ViewValueSet.action?oid=1.3.6.1.4.1.19376.1.7.3.1.1.13.8.194</a>	IHE BFDR

IHE Quality, Research and Public Health Technical Framework Supplement – Birth and Fetal Death Reporting-Enhanced (BFDR-E)

Name	Identifier	Purpose	Source	PHIN VADS URL	Groups
Birth Place Home Unknown Intention (NCHS)	1.3.6.1.4.1.19 376.1.7.3.1.1. 13.8.195	To reflect the birth occurred in the at home with intention unknown	SNOME D-CT	<a href="https://phinvads.cdc.gov/vads/ViewValueSet.action?oid=1.3.6.1.4.1.19376.1.7.3.1.1.13.8.195">https://phinvads.cdc.gov/vads/ViewValueSet.action?oid=1.3.6.1.4.1.19376.1.7.3.1.1.13.8.195</a>	IHE BFDR
Birthplace Hospital (NCHS)	1.3.6.1.4.1.19 376.1.7.3.1.1. 13.8.192	To reflect the birth occurred in the hospital	SNOME D-CT	<a href="https://phinvads.cdc.gov/vads/ViewValueSet.action?oid=1.3.6.1.4.1.19376.1.7.3.1.1.13.8.192">https://phinvads.cdc.gov/vads/ViewValueSet.action?oid=1.3.6.1.4.1.19376.1.7.3.1.1.13.8.192</a>	IHE BFDR
Birthplace Setting (NCHS)	1.3.6.1.4.1.19 376.1.7.3.1.1. 13.8.184	To reflect the birthplace of the newborn (setting)	LOINC	<a href="https://phinvads.cdc.gov/vads/ViewValueSet.action?oid=1.3.6.1.4.1.19376.1.7.3.1.1.13.8.184">https://phinvads.cdc.gov/vads/ViewValueSet.action?oid=1.3.6.1.4.1.19376.1.7.3.1.1.13.8.184</a>	IHE BFDR
Body Weight (NCHS)	2.16.840.1.11 4222.4.11.742 1	To Reflect the question as to the body weight of the patient	LOINC	<a href="https://phinvads.cdc.gov/vads/ViewValueSet.action?oid=2.16.840.1.114222.4.11.7421">https://phinvads.cdc.gov/vads/ViewValueSet.action?oid=2.16.840.1.114222.4.11.7421</a>	IHE BFDR
Breastfed Infant (NCHS)	1.3.6.1.4.1.19 376.1.7.3.1.1. 13.8.41	To reflect Breastfed Infant at discharge	SNOME D-CT	<a href="https://phinvads.cdc.gov/vads/ViewValueSet.action?oid=1.3.6.1.4.1.19376.1.7.3.1.1.13.8.41">https://phinvads.cdc.gov/vads/ViewValueSet.action?oid=1.3.6.1.4.1.19376.1.7.3.1.1.13.8.41</a>	IHE BFDR
Certified Midwife (NCHS)	1.3.6.1.4.1.19 376.1.7.3.1.1. 13.8.17	To reflect the Title of the Attendant responsible for the delivery Procedure as a Certified Midwife	SNOME D-CT	<a href="https://phinvads.cdc.gov/vads/ViewValueSet.action?oid=1.3.6.1.4.1.19376.1.7.3.1.1.13.8.17">https://phinvads.cdc.gov/vads/ViewValueSet.action?oid=1.3.6.1.4.1.19376.1.7.3.1.1.13.8.17</a>	IHE BFDR
Cervical Cerclage (NCHS)	1.3.6.1.4.1.19 376.1.7.3.1.1. 13.8.125	To reflect Obstetric Procedures as Cervical Cerclage	SNOME D-CT	<a href="https://phinvads.cdc.gov/vads/ViewValueSet.action?oid=1.3.6.1.4.1.19376.1.7.3.1.1.13.8.125">https://phinvads.cdc.gov/vads/ViewValueSet.action?oid=1.3.6.1.4.1.19376.1.7.3.1.1.13.8.125</a>	IHE BFDR
Chlamydia (NCHS)	1.3.6.1.4.1.19 376.1.7.3.1.1. 13.8.93	To reflect Chlamydia as Infections present and treated during this pregnancy	SNOME D-CT	<a href="https://phinvads.cdc.gov/vads/ViewValueSet.action?oid=1.3.6.1.4.1.19376.1.7.3.1.1.13.8.93">https://phinvads.cdc.gov/vads/ViewValueSet.action?oid=1.3.6.1.4.1.19376.1.7.3.1.1.13.8.93</a>	IHE BFDR
Chorioamnionitis During Labor (NCHS)	1.3.6.1.4.1.19 376.1.7.3.1.1. 13.8.24	To reflect a Chorioamnionitis During Labor	SNOME D-CT	<a href="https://phinvads.cdc.gov/vads/ViewValueSet.action?oid=1.3.6.1.4.1.19376.1.7.3.1.1.13.8.24">https://phinvads.cdc.gov/vads/ViewValueSet.action?oid=1.3.6.1.4.1.19376.1.7.3.1.1.13.8.24</a>	IHE BFDR
Cleft Lip with or without Cleft Palate (NCHS)	1.3.6.1.4.1.19 376.1.7.3.1.1. 13.8.58	To reflect Cleft Lip with/without Cleft Palate as an anomaly of the newborn	SNOME D-CT	<a href="https://phinvads.cdc.gov/vads/ViewValueSet.action?oid=1.3.6.1.4.1.19376.1.7.3.1.1.13.8.58">https://phinvads.cdc.gov/vads/ViewValueSet.action?oid=1.3.6.1.4.1.19376.1.7.3.1.1.13.8.58</a>	IHE BFDR

IHE Quality, Research and Public Health Technical Framework Supplement – Birth and Fetal Death Reporting-Enhanced (BFDR-E)

Name	Identifier	Purpose	Source	PHIN VADS URL	Groups
Cleft Lip without Cleft Palate (NCHS)	1.3.6.1.4.1.19 376.1.7.3.1.1. 13.8.60	To reflect Cleft Lip without Cleft Palate as an anomaly of the newborn	SNOME D-CT	<a href="https://phinvads.cdc.gov/vads/ViewValueSet.action?oid=1.3.6.1.4.1.19376.1.7.3.1.1.13.8.60">https://phinvads.cdc.gov/vads/ViewValueSet.action?oid=1.3.6.1.4.1.19376.1.7.3.1.1.13.8.60</a>	IHE BFDR
Cleft Palate Alone (NCHS)	1.3.6.1.4.1.19 376.1.7.3.1.1. 13.8.189	To reflect Cleft Palate alone as an anomaly of the newborn	SNOME D-CT	<a href="https://phinvads.cdc.gov/vads/ViewValueSet.action?oid=1.3.6.1.4.1.19376.1.7.3.1.1.13.8.189">https://phinvads.cdc.gov/vads/ViewValueSet.action?oid=1.3.6.1.4.1.19376.1.7.3.1.1.13.8.189</a>	IHE BFDR
Conception Date (NCHS)	1.3.6.1.4.1.19 376.1.7.3.1.1. 13.8.180	To reflect Conception Date	LOINC	<a href="https://phinvads.cdc.gov/vads/ViewValueSet.action?oid=1.3.6.1.4.1.19376.1.7.3.1.1.13.8.180">https://phinvads.cdc.gov/vads/ViewValueSet.action?oid=1.3.6.1.4.1.19376.1.7.3.1.1.13.8.180</a>	IHE BFDR
Congenital Diaphragmatic Hernia (NCHS)	1.3.6.1.4.1.19 376.1.7.3.1.1. 13.8.55	To reflect Congenital Diaphragmatic Hernia as an anomaly of the newborn	SNOME D-CT	<a href="https://phinvads.cdc.gov/vads/ViewValueSet.action?oid=1.3.6.1.4.1.19376.1.7.3.1.1.13.8.55">https://phinvads.cdc.gov/vads/ViewValueSet.action?oid=1.3.6.1.4.1.19376.1.7.3.1.1.13.8.55</a>	IHE BFDR
Cyanotic Congenital Heart Disease (NCHS)	1.3.6.1.4.1.19 376.1.7.3.1.1. 13.8.54	To reflect Cyanotic Congenital Heart Disease as an anomaly of the newborn	SNOME D-CT	<a href="https://phinvads.cdc.gov/vads/ViewValueSet.action?oid=1.3.6.1.4.1.19376.1.7.3.1.1.13.8.54">https://phinvads.cdc.gov/vads/ViewValueSet.action?oid=1.3.6.1.4.1.19376.1.7.3.1.1.13.8.54</a>	IHE BFDR
Cytomegalovirus (NCHS)	1.3.6.1.4.1.19 376.1.7.3.1.1. 13.8.167	To reflect infection with Cytomegalovirus	SNOME D-CT	<a href="https://phinvads.cdc.gov/vads/ViewValueSet.action?oid=1.3.6.1.4.1.19376.1.7.3.1.1.13.8.167">https://phinvads.cdc.gov/vads/ViewValueSet.action?oid=1.3.6.1.4.1.19376.1.7.3.1.1.13.8.167</a>	IHE BFDR
Date of Last Live Birth (NCHS)	1.3.6.1.4.1.19 376.1.7.3.1.1. 13.8.67	To reflect the Date of Last Live Birth	LOINC	<a href="https://phinvads.cdc.gov/vads/ViewValueSet.action?oid=1.3.6.1.4.1.19376.1.7.3.1.1.13.8.67">https://phinvads.cdc.gov/vads/ViewValueSet.action?oid=1.3.6.1.4.1.19376.1.7.3.1.1.13.8.67</a>	IHE BFDR
Date of Last Menses (NCHS)	1.3.6.1.4.1.19 376.1.7.3.1.1. 13.8.69	To reflect the Date of Last Menses	LOINC	<a href="https://phinvads.cdc.gov/vads/ViewValueSet.action?oid=1.3.6.1.4.1.19376.1.7.3.1.1.13.8.69">https://phinvads.cdc.gov/vads/ViewValueSet.action?oid=1.3.6.1.4.1.19376.1.7.3.1.1.13.8.69</a>	IHE BFDR
Date of Last Other Pregnancy Outcome (NCHS)	1.3.6.1.4.1.19 376.1.7.3.1.1. 13.8.70	To reflect the Date of Last Other Pregnancy Outcome such as spontaneous or induced losses or ectopic pregnancy	LOINC	<a href="https://phinvads.cdc.gov/vads/ViewValueSet.action?oid=1.3.6.1.4.1.19376.1.7.3.1.1.13.8.70">https://phinvads.cdc.gov/vads/ViewValueSet.action?oid=1.3.6.1.4.1.19376.1.7.3.1.1.13.8.70</a>	IHE BFDR
Delivery (NCHS)	1.3.6.1.4.1.19 376.1.7.3.1.1. 13.8.14	To reflect the Delivery Procedure	SNOME D-CT	<a href="https://phinvads.cdc.gov/vads/ViewValueSet.action?oid=1.3.6.1.4.1.19376.1.7.3.1.1.13.8.14">https://phinvads.cdc.gov/vads/ViewValueSet.action?oid=1.3.6.1.4.1.19376.1.7.3.1.1.13.8.14</a>	IHE BFDR



IHE Quality, Research and Public Health Technical Framework Supplement – Birth and Fetal Death Reporting-Enhanced (BFDR-E)

Name	Identifier	Purpose	Source	PHIN VADS URL	Groups
Doctor of Osteopathic Medicine (NCHS)	1.3.6.1.4.1.19 376.1.7.3.1.1. 13.8.16	To reflect the Title of the Attendant responsible for the delivery Procedure as a Doctor of Osteopathic Medicine	SNOME D-CT	<a href="https://phinvads.cdc.gov/vads/ViewValueSet.action?oid=1.3.6.1.4.1.19376.1.7.3.1.1.13.8.16">https://phinvads.cdc.gov/vads/ViewValueSet.action?oid=1.3.6.1.4.1.19376.1.7.3.1.1.13.8.16</a>	IHE BFDR
Downs Syndrome (NCHS)	1.3.6.1.4.1.19 376.1.7.3.1.1. 13.8.61	To reflect Downs Syndrome as an anomaly of the newborn	SNOME D-CT	<a href="https://phinvads.cdc.gov/vads/ViewValueSet.action?oid=1.3.6.1.4.1.19376.1.7.3.1.1.13.8.61">https://phinvads.cdc.gov/vads/ViewValueSet.action?oid=1.3.6.1.4.1.19376.1.7.3.1.1.13.8.61</a>	IHE BFDR
Eclampsia (NCHS)	1.3.6.1.4.1.19 376.1.7.3.1.1. 13.8.140	To reflect Risk Factors of Eclampsia	SNOME D-CT	<a href="https://phinvads.cdc.gov/vads/ViewValueSet.action?oid=1.3.6.1.4.1.19376.1.7.3.1.1.13.8.140">https://phinvads.cdc.gov/vads/ViewValueSet.action?oid=1.3.6.1.4.1.19376.1.7.3.1.1.13.8.140</a>	IHE BFDR
Epidural Anesthesia - Medication (NCHS)	1.3.6.1.4.1.19 376.1.7.3.1.1. 13.8.26	To reflect an Epidural Anesthesia	RxNorm	<a href="https://phinvads.cdc.gov/vads/ViewValueSet.action?oid=1.3.6.1.4.1.19376.1.7.3.1.1.13.8.26">https://phinvads.cdc.gov/vads/ViewValueSet.action?oid=1.3.6.1.4.1.19376.1.7.3.1.1.13.8.26</a>	IHE BFDR
Epidural Anesthesia - Procedure (NCHS)	1.3.6.1.4.1.19 376.1.7.3.1.1. 13.8.27	To reflect an Epidural Anesthesia Procedure	SNOME D-CT	<a href="https://phinvads.cdc.gov/vads/ViewValueSet.action?oid=1.3.6.1.4.1.19376.1.7.3.1.1.13.8.27">https://phinvads.cdc.gov/vads/ViewValueSet.action?oid=1.3.6.1.4.1.19376.1.7.3.1.1.13.8.27</a>	IHE BFDR
Estimated Time Of Fetal Death (NCHS)	2.16.840.1.11 4222.4.11.742 6	To reflect the question as to the estimated time of fetal death	<a href="#">LOINC</a>	<a href="http://phinvads.cdc.gov/vads/ViewValueSet.action?oid=2.16.840.1.114222.4.11.7426">http://phinvads.cdc.gov/vads/ViewValueSet.action?oid=2.16.840.1.114222.4.11.7426</a>	IHE BFDR
External Cephalic Version (NCHS)	1.3.6.1.4.1.19 376.1.7.3.1.1. 13.8.127	To reflect Obstetric Procedures as External Cephalic Version	SNOME D-CT	<a href="https://phinvads.cdc.gov/vads/ViewValueSet.action?oid=1.3.6.1.4.1.19376.1.7.3.1.1.13.8.127">https://phinvads.cdc.gov/vads/ViewValueSet.action?oid=1.3.6.1.4.1.19376.1.7.3.1.1.13.8.127</a>	IHE BFDR
Facility Location ICU (NCHS)	1.3.6.1.4.1.19 376.1.7.3.1.1. 13.8.2	To reflect that the patient (mother) was treated in the ICU for complications associated with labor and delivery reflecting a maternal morbidity.	HL7 Service Delivery Location	<a href="https://phinvads.cdc.gov/vads/ViewValueSet.action?oid=1.3.6.1.4.1.19376.1.7.3.1.1.13.8.2">https://phinvads.cdc.gov/vads/ViewValueSet.action?oid=1.3.6.1.4.1.19376.1.7.3.1.1.13.8.2</a>	IHE BFDR
Facility Location NICU (NCHS)	1.3.6.1.4.1.19 376.1.7.3.1.1. 13.8.1	To reflect that the newborn was admitted to the NICU reflecting an abnormal condition of the newborn	HL7 Service Delivery Location	<a href="https://phinvads.cdc.gov/vads/ViewValueSet.action?oid=1.3.6.1.4.1.19376.1.7.3.1.1.13.8.1">https://phinvads.cdc.gov/vads/ViewValueSet.action?oid=1.3.6.1.4.1.19376.1.7.3.1.1.13.8.1</a>	IHE BFDR

IHE Quality, Research and Public Health Technical Framework Supplement – Birth and Fetal Death Reporting-Enhanced (BFDR-E)

Name	Identifier	Purpose	Source	PHIN VADS URL	Groups
Facility Location OR (NCHS)	1.3.6.1.4.1.19 376.1.7.3.1.1. 13.8.104	To reflect that the patient (mother) was treated in the OR for an unplanned operation for complications associated with labor and delivery reflecting unplanned operation	HL7 Service Delivery Location	<a href="https://phinvads.cdc.gov/vads/ViewValueSet.action?oid=1.3.6.1.4.1.19376.1.7.3.1.1.13.8.104">https://phinvads.cdc.gov/vads/ViewValueSet.action?oid=1.3.6.1.4.1.19376.1.7.3.1.1.13.8.104</a>	IHE BFDR
Female Gender (NCHS)	1.3.6.1.4.1.19 376.1.7.3.1.1. 13.8.43	To reflect the Female Gender	HL7 Administrative Gender	<a href="https://phinvads.cdc.gov/vads/ViewValueSet.action?oid=1.3.6.1.4.1.19376.1.7.3.1.1.13.8.43">https://phinvads.cdc.gov/vads/ViewValueSet.action?oid=1.3.6.1.4.1.19376.1.7.3.1.1.13.8.43</a>	IHE BFDR
Fertility Enhancing Drugs Medications (NCHS)	1.3.6.1.4.1.19 376.1.7.3.1.1. 13.8.144	To reflect that Fertility Enhancing Drugs were administered as a risk factor for pregnancy	RxNorm	<a href="https://phinvads.cdc.gov/vads/ViewValueSet.action?oid=1.3.6.1.4.1.19376.1.7.3.1.1.13.8.145">https://phinvads.cdc.gov/vads/ViewValueSet.action?oid=1.3.6.1.4.1.19376.1.7.3.1.1.13.8.145</a>	IHE BFDR
Autopsy Performed (NCHS)	1.3.6.1.4.1.19 376.1.7.3.1.1. 13.8.1	To reflect Autopsy was performed	SNOME D-CT	<a href="https://phinvads.cdc.gov/vads/ViewValueSet.action?oid=1.3.6.1.4.1.19376.1.7.3.1.1.13.8.1">https://phinvads.cdc.gov/vads/ViewValueSet.action?oid=1.3.6.1.4.1.19376.1.7.3.1.1.13.8.1</a>	IHE BFDR
Fetal Death Time Point (NCHS)	2.16.840.1.11 4222.4.11.711 2	A list of time points during the delivery process at which the fetal death is thought to have occurred. Note, SNOMED is being used as the primary source for codes within the value set.	SNOME D-CT	<a href="https://phinvads.cdc.gov/vads/ViewValueSet.action?oid=2.16.840.1.114222.4.11.7112">https://phinvads.cdc.gov/vads/ViewValueSet.action?oid=2.16.840.1.114222.4.11.7112</a>	IHE BFDR
Fetal Presentation at Birth-Breech (NCHS)	1.3.6.1.4.1.19 376.1.7.3.1.1. 13.8.108	To reflect the Fetal Presentation at Birth-Breech method of delivery	SNOME D-CT	<a href="https://phinvads.cdc.gov/vads/ViewValueSet.action?oid=1.3.6.1.4.1.19376.1.7.3.1.1.13.8.108">https://phinvads.cdc.gov/vads/ViewValueSet.action?oid=1.3.6.1.4.1.19376.1.7.3.1.1.13.8.108</a>	IHE BFDR
Fetal Presentation at Birth-Cephalic (NCHS)	1.3.6.1.4.1.19 376.1.7.3.1.1. 13.8.109	To reflect the Fetal Presentation at Birth-Cephalic method of delivery	SNOME D-CT	<a href="https://phinvads.cdc.gov/vads/ViewValueSet.action?oid=1.3.6.1.4.1.19376.1.7.3.1.1.13.8.109">https://phinvads.cdc.gov/vads/ViewValueSet.action?oid=1.3.6.1.4.1.19376.1.7.3.1.1.13.8.109</a>	IHE BFDR
Fetal Presentation at Birth-Other (NCHS)	1.3.6.1.4.1.19 376.1.7.3.1.1. 13.8.110	To reflect the Fetal Presentation at Birth-Other	SNOME D-CT	<a href="https://phinvads.cdc.gov/vads/ViewValueSet.action?oid=1.3.6.1.4.1.19376.1.7.3.1.1.13.8.110">https://phinvads.cdc.gov/vads/ViewValueSet.action?oid=1.3.6.1.4.1.19376.1.7.3.1.1.13.8.110</a>	IHE BFDR

IHE Quality, Research and Public Health Technical Framework Supplement – Birth and Fetal Death Reporting-Enhanced (BFDR-E)

Name	Identifier	Purpose	Source	PHIN VADS URL	Groups
Fever Greater Than 100.4 (NCHS)	1.3.6.1.4.1.19 376.1.7.3.1.1. 13.8.25	To reflect a Fever Greater Than 100.4 During Labor	SNOME D-CT	<a href="https://phinvads.cdc.gov/vads/ViewValueSet.action?oid=1.3.6.1.4.1.19376.1.7.3.1.1.13.8.25">https://phinvads.cdc.gov/vads/ViewValueSet.action?oid=1.3.6.1.4.1.19376.1.7.3.1.1.13.8.25</a>	IHE BFDR
First Prenatal Care Visit (NCHS)	1.3.6.1.4.1.19 376.1.7.3.1.1. 13.8.133	To reflect the Date of the First Prenatal Care Visit	LOINC	<a href="https://phinvads.cdc.gov/vads/ViewValueSet.action?oid=1.3.6.1.4.1.19376.1.7.3.1.1.13.8.133">https://phinvads.cdc.gov/vads/ViewValueSet.action?oid=1.3.6.1.4.1.19376.1.7.3.1.1.13.8.133</a>	IHE BFDR
Fourth Degree Perineal Laceration (NCHS)	1.3.6.1.4.1.19 376.1.7.3.1.1. 13.8.101	To reflect Fourth Degree Perineal Laceration as a maternal morbidity	SNOME D-CT	<a href="https://phinvads.cdc.gov/vads/ViewValueSet.action?oid=1.3.6.1.4.1.19376.1.7.3.1.1.13.8.101">https://phinvads.cdc.gov/vads/ViewValueSet.action?oid=1.3.6.1.4.1.19376.1.7.3.1.1.13.8.101</a>	IHE BFDR
Gastroschisis of the Newborn (NCHS)	1.3.6.1.4.1.19 376.1.7.3.1.1. 13.8.62	To reflect Gastroschisis of the Newborn as an anomaly of the newborn	SNOME D-CT	<a href="https://phinvads.cdc.gov/vads/ViewValueSet.action?oid=1.3.6.1.4.1.19376.1.7.3.1.1.13.8.62">https://phinvads.cdc.gov/vads/ViewValueSet.action?oid=1.3.6.1.4.1.19376.1.7.3.1.1.13.8.62</a>	IHE BFDR
Gestational Diabetes (NCHS)	1.3.6.1.4.1.19 376.1.7.3.1.1. 13.8.137	To reflect Risk Factors of Gestational Diabetes	SNOME D-CT	<a href="https://phinvads.cdc.gov/vads/ViewValueSet.action?oid=1.3.6.1.4.1.19376.1.7.3.1.1.13.8.137">https://phinvads.cdc.gov/vads/ViewValueSet.action?oid=1.3.6.1.4.1.19376.1.7.3.1.1.13.8.137</a>	IHE BFDR
Gestational Hypertension (NCHS)	1.3.6.1.4.1.19 376.1.7.3.1.1. 13.8.139	To reflect Risk Factors of Gestational Hypertension	SNOME D-CT	<a href="https://phinvads.cdc.gov/vads/ViewValueSet.action?oid=1.3.6.1.4.1.19376.1.7.3.1.1.13.8.139">https://phinvads.cdc.gov/vads/ViewValueSet.action?oid=1.3.6.1.4.1.19376.1.7.3.1.1.13.8.139</a>	IHE BFDR
Gonorrhea (NCHS)	2.16.840.1.11 4222.4.11.607 1	To reflect Gonorrhea as Infections present and treated during this pregnancy	SNOME D-CT	<a href="https://phinvads.cdc.gov/vads/ViewValueSet.action?oid=2.16.840.1.114222.4.11.6071">https://phinvads.cdc.gov/vads/ViewValueSet.action?oid=2.16.840.1.114222.4.11.6071</a>	IHE BFDR
Group B Streptococcus (NCHS)	1.3.6.1.4.1.19 376.1.7.3.1.1. 13.8.166	To reflect Infection with Group B Streptococcus	SNOME D-CT	<a href="https://phinvads.cdc.gov/vads/ViewValueSet.action?oid=1.3.6.1.4.1.19376.1.7.3.1.1.13.8.166">https://phinvads.cdc.gov/vads/ViewValueSet.action?oid=1.3.6.1.4.1.19376.1.7.3.1.1.13.8.166</a>	IHE BFDR
Height (NCHS)	2.16.840.1.11 4222.4.11.715 5	To reflect the mother's height	LOINC	<a href="https://phinvads.cdc.gov/vads/ViewValueSet.action?oid=2.16.840.1.114222.4.11.7155">https://phinvads.cdc.gov/vads/ViewValueSet.action?oid=2.16.840.1.114222.4.11.7155</a>	IHE BFDR
Hepatitis B (NCHS)	1.3.6.1.4.1.19 376.1.7.3.1.1. 13.8.96	To reflect Hepatitis B as Infections present and treated during this pregnancy	SNOME D-CT	<a href="https://phinvads.cdc.gov/vads/ViewValueSet.action?oid=1.3.6.1.4.1.19376.1.7.3.1.1.13.8.96">https://phinvads.cdc.gov/vads/ViewValueSet.action?oid=1.3.6.1.4.1.19376.1.7.3.1.1.13.8.96</a>	IHE BFDR
Hepatitis C (NCHS)	1.3.6.1.4.1.19 376.1.7.3.1.1. 13.8.97	To reflect Hepatitis C as Infections present and treated during this pregnancy	SNOME D-CT	<a href="https://phinvads.cdc.gov/vads/ViewValueSet.action?oid=1.3.6.1.4.1.19376.1.7.3.1.1.13.8.97">https://phinvads.cdc.gov/vads/ViewValueSet.action?oid=1.3.6.1.4.1.19376.1.7.3.1.1.13.8.97</a>	IHE BFDR

IHE Quality, Research and Public Health Technical Framework Supplement – Birth and Fetal Death Reporting-Enhanced (BFDR-E)

Name	Identifier	Purpose	Source	PHIN VADS URL	Groups
Histological Placental Examination (NCHS)	2.16.840.1.114222.4.11.7138	To reflect the Histological Placental Examination for fetal death		<a href="https://phinvads.cdc.gov/vads/ViewValueSet.action?oid=2.16.840.1.114222.4.11.7138">https://phinvads.cdc.gov/vads/ViewValueSet.action?oid=2.16.840.1.114222.4.11.7138</a>	IHE BFDR
Hypospadias (NCHS)	1.3.6.1.4.1.19376.1.7.3.1.1.13.8.63	To reflect Hypospadias as an anomaly of the newborn	SNOME D-CT	<a href="https://phinvads.cdc.gov/vads/ViewValueSet.action?oid=1.3.6.1.4.1.19376.1.7.3.1.1.13.8.63">https://phinvads.cdc.gov/vads/ViewValueSet.action?oid=1.3.6.1.4.1.19376.1.7.3.1.1.13.8.63</a>	IHE BFDR
Hysterotomy Hysterectomy (NCHS)	1.3.6.1.4.1.19376.1.7.3.1.1.13.8.150	To reflect hysterotomy/hysterectomy as the method of delivery in fetal death	SNOME D-CT	<a href="https://phinvads.cdc.gov/vads/ViewValueSet.action?oid=1.3.6.1.4.1.19376.1.7.3.1.1.13.8.150">https://phinvads.cdc.gov/vads/ViewValueSet.action?oid=1.3.6.1.4.1.19376.1.7.3.1.1.13.8.150</a>	IHE BFDR
ICU Care (NCHS)	1.3.6.1.4.1.19376.1.7.3.1.1.13.8.188	To reflect that the mother was transferred to ICU following the birth	SNOME D-CT	<a href="https://phinvads.cdc.gov/vads/ViewValueSet.action?oid=1.3.6.1.4.1.19376.1.7.3.1.1.13.8.188">https://phinvads.cdc.gov/vads/ViewValueSet.action?oid=1.3.6.1.4.1.19376.1.7.3.1.1.13.8.188</a>	IHE BFDR
IM Medication Administration Route (NCHS)	1.3.6.1.4.1.19376.1.7.3.1.1.13.8.5	To reflect that Intramuscular Medication Administration Route was used to administer a medication	HL7 Route of Administration	<a href="https://phinvads.cdc.gov/vads/ViewValueSet.action?oid=1.3.6.1.4.1.19376.1.7.3.1.1.13.8.5">https://phinvads.cdc.gov/vads/ViewValueSet.action?oid=1.3.6.1.4.1.19376.1.7.3.1.1.13.8.5</a>	IHE BFDR
Induction of Labor (NCHS)	1.3.6.1.4.1.19376.1.7.3.1.1.13.8.34	To reflect that there was an Induction of Labor	SNOME D-CT	<a href="https://phinvads.cdc.gov/vads/ViewValueSet.action?oid=1.3.6.1.4.1.19376.1.7.3.1.1.13.8.34">https://phinvads.cdc.gov/vads/ViewValueSet.action?oid=1.3.6.1.4.1.19376.1.7.3.1.1.13.8.34</a>	IHE BFDR
Infertility Treatment (NCHS)	1.3.6.1.4.1.19376.1.7.3.1.1.13.8.143	To reflect Risk Factors of Pregnancy Infertility Treatment	SNOME D-CT	<a href="https://phinvads.cdc.gov/vads/ViewValueSet.action?oid=1.3.6.1.4.1.19376.1.7.3.1.1.13.8.143">https://phinvads.cdc.gov/vads/ViewValueSet.action?oid=1.3.6.1.4.1.19376.1.7.3.1.1.13.8.143</a>	IHE BFDR
Institution Referred to (NCHS)	1.3.6.1.4.1.19376.1.7.3.1.1.13.8.191	To reflect the institution to which the patient was referred	LOINC	<a href="https://phinvads.cdc.gov/vads/ViewValueSet.action?oid=1.3.6.1.4.1.19376.1.7.3.1.1.13.8.191">https://phinvads.cdc.gov/vads/ViewValueSet.action?oid=1.3.6.1.4.1.19376.1.7.3.1.1.13.8.191</a>	IHE BFDR
IV Medication Administration Route (NCHS)	1.3.6.1.4.1.19376.1.7.3.1.1.13.8.4	To reflect that IV Medication Administration Route was used to administer a medication	HL7 Route of Administration	<a href="https://phinvads.cdc.gov/vads/ViewValueSet.action?oid=1.3.6.1.4.1.19376.1.7.3.1.1.13.8.4">https://phinvads.cdc.gov/vads/ViewValueSet.action?oid=1.3.6.1.4.1.19376.1.7.3.1.1.13.8.4</a>	IHE BFDR
Karyotype Confirmed (NCHS)	1.3.6.1.4.1.19376.1.7.3.1.1.13.8.56	To reflect Karyotype Confirmed as an anomaly of the newborn	SNOME D-CT	<a href="https://phinvads.cdc.gov/vads/ViewValueSet.action?oid=1.3.6.1.4.1.19376.1.7.3.1.1.13.8.56">https://phinvads.cdc.gov/vads/ViewValueSet.action?oid=1.3.6.1.4.1.19376.1.7.3.1.1.13.8.56</a>	IHE BFDR

IHE Quality, Research and Public Health Technical Framework Supplement – Birth and Fetal Death Reporting-Enhanced (BFDR-E)

Name	Identifier	Purpose	Source	PHIN VADS URL	Groups
Karyotype Determination (NCHS)	1.3.6.1.4.1.19 376.1.7.3.1.1. 13.8.154	To reflect Karyotype determination as an anomaly of the newborn	SNOME D-CT	<a href="https://phinvads.cdc.gov/vads/ViewValueSet.action?oid=1.3.6.1.4.1.19376.1.7.3.1.1.13.8.154">https://phinvads.cdc.gov/vads/ViewValueSet.action?oid=1.3.6.1.4.1.19376.1.7.3.1.1.13.8.154</a>	IHE BFDR
Karyotype Result (NCHS)	1.3.6.1.4.1.19 376.1.7.3.1.1. 13.8.59	To reflect Karyotyping to determine that the result is pending	LOINC	<a href="https://phinvads.cdc.gov/vads/ViewValueSet.action?oid=1.3.6.1.4.1.19376.1.7.3.1.1.13.8.59">https://phinvads.cdc.gov/vads/ViewValueSet.action?oid=1.3.6.1.4.1.19376.1.7.3.1.1.13.8.59</a>	IHE BFDR
Limb Reduction Defect (NCHS)	6.1.4.1.19376. 1.7.3.1.1.13.8. 64	To reflect Limb Reduction Defect as an anomaly of the newborn	SNOME D-CT	<a href="https://phinvads.cdc.gov/vads/ViewValueSet.action?oid=6.1.4.1.19376.1.7.3.1.1.13.8.64">https://phinvads.cdc.gov/vads/ViewValueSet.action?oid=6.1.4.1.19376.1.7.3.1.1.13.8.64</a>	IHE BFDR
Listeria (NCHS)	1.3.6.1.4.1.19 376.1.7.3.1.1. 13.8.147	To reflect Listeria as Infections present and treated during this pregnancy		<a href="https://phinvads.cdc.gov/vads/ViewValueSet.action?oid=1.3.6.1.4.1.19376.1.7.3.1.1.13.8.147">https://phinvads.cdc.gov/vads/ViewValueSet.action?oid=1.3.6.1.4.1.19376.1.7.3.1.1.13.8.147</a>	IHE BFDR
Male Gender (NCHS)	1.3.6.1.4.1.19 376.1.7.3.1.1. 13.8.42	To reflect the Male Gender	HL7 Administ rativeGen der	<a href="https://phinvads.cdc.gov/vads/ViewValueSet.action?oid=1.3.6.1.4.1.19376.1.7.3.1.1.13.8.42">https://phinvads.cdc.gov/vads/ViewValueSet.action?oid=1.3.6.1.4.1.19376.1.7.3.1.1.13.8.42</a>	IHE BFDR
Meningomyelocele/Spina Bifida - Newborn (NCHS)	1.3.6.1.4.1.19 376.1.7.3.1.1. 13.8.65	To reflect Meningomyelocele/Spina Bifida of the Newborn as an anomaly of the newborn	SNOME D-CT	<a href="https://phinvads.cdc.gov/vads/ViewValueSet.action?oid=1.3.6.1.4.1.19376.1.7.3.1.1.13.8.65">https://phinvads.cdc.gov/vads/ViewValueSet.action?oid=1.3.6.1.4.1.19376.1.7.3.1.1.13.8.65</a>	IHE BFDR
Midwife (NCHS)	1.3.6.1.4.1.19 376.1.7.3.1.1. 13.8.18	To reflect the Title of the Attendant responsible for the delivery Procedure as a Midwife excluding registered midwife which is reflected in the 'certified midwife' value set	SNOME D-CT	<a href="https://phinvads.cdc.gov/vads/ViewValueSet.action?oid=1.3.6.1.4.1.19376.1.7.3.1.1.13.8.18">https://phinvads.cdc.gov/vads/ViewValueSet.action?oid=1.3.6.1.4.1.19376.1.7.3.1.1.13.8.18</a>	IHE BFDR
Mothers Delivery Weight (NCHS)	1.3.6.1.4.1.19 376.1.7.3.1.1. 13.8.120	To reflect the Mother's Delivery Weight	LOINC	<a href="https://phinvads.cdc.gov/vads/ViewValueSet.action?oid=1.3.6.1.4.1.19376.1.7.3.1.1.13.8.120">https://phinvads.cdc.gov/vads/ViewValueSet.action?oid=1.3.6.1.4.1.19376.1.7.3.1.1.13.8.120</a>	IHE BFDR
Neonatal Death (NCHS)	1.3.6.1.4.1.19 376.1.7.3.1.1. 13.8.149	To reflect that the newborn died	SNOME D-CT	<a href="https://phinvads.cdc.gov/vads/ViewValueSet.action?oid=1.3.6.1.4.1.19376.1.7.3.1.1.13.8.149">https://phinvads.cdc.gov/vads/ViewValueSet.action?oid=1.3.6.1.4.1.19376.1.7.3.1.1.13.8.149</a>	IHE BFDR
Neonatal Sepsis (NCHS)	1.3.6.1.4.1.19 376.1.7.3.1.1. 13.8.6	To reflect that the newborn had suspected neonatal sepsis reflecting an abnormal condition of the newborn	SNOME D-CT	<a href="https://phinvads.cdc.gov/vads/ViewValueSet.action?oid=1.3.6.1.4.1.19376.1.7.3.1.1.13.8.6">https://phinvads.cdc.gov/vads/ViewValueSet.action?oid=1.3.6.1.4.1.19376.1.7.3.1.1.13.8.6</a>	IHE BFDR

IHE Quality, Research and Public Health Technical Framework Supplement – Birth and Fetal Death Reporting-Enhanced (BFDR-E)

Name	Identifier	Purpose	Source	PHIN VADS URL	Groups
Newborn Receiving Surfactant Replacement Therapy (NCHS)	1.3.6.1.4.1.19 376.1.7.3.1.1. 13.8.11	To reflect that the Newborn received Surfactant Replacement Therapy reflecting an abnormal condition of the newborn	RxNorm	<a href="https://phinvads.cdc.gov/vads/ViewValueSet.action?oid=1.3.6.1.4.1.19376.1.7.3.1.1.13.8.11">https://phinvads.cdc.gov/vads/ViewValueSet.action?oid=1.3.6.1.4.1.19376.1.7.3.1.1.13.8.11</a>	IHE BFDR
Pregnancy Resulting From Fertility Enhancing Drugs (NCHS)	2.16.840.1.11 4222.4.11.742 3	The value set contains a list of items to indicate whether a pregnancy resulted from fertility enhancing drugs	SNOME D-CT	<a href="http://phinvads.cdc.gov/vads/ViewValueSet.action?oid=2.16.840.1.114222.4.11.7423">http://phinvads.cdc.gov/vads/ViewValueSet.action?oid=2.16.840.1.114222.4.11.7423</a>	IHE BFDR
Surfactant Replacement Therapy (NCHS)	2.16.840.1.11 4222.4.11.743 1	Surfactant Replacement Therapy (NCHS)	SNOME D-CT	<a href="https://phinvads.cdc.gov/vads/ViewValueSet.action?oid=2.16.840.1.114222.4.11.7431">https://phinvads.cdc.gov/vads/ViewValueSet.action?oid=2.16.840.1.114222.4.11.7431</a>	IHE BFDR
NICU Care (NCHS)	1.3.6.1.4.1.19 376.1.7.3.1.1. 13.8.198	To reflect the that the baby was transferred to NICU following the birth	SNOME D-CT	<a href="https://phinvads.cdc.gov/vads/ViewValueSet.action?oid=1.3.6.1.4.1.19376.1.7.3.1.1.13.8.198">https://phinvads.cdc.gov/vads/ViewValueSet.action?oid=1.3.6.1.4.1.19376.1.7.3.1.1.13.8.198</a>	IHE BFDR
Number of Fetal Deaths This Delivery (NCHS)	1.3.6.1.4.1.19 376.1.7.3.1.1. 13.8.164	To reflect the Number of Fetal Deaths This Delivery	LOINC	<a href="https://phinvads.cdc.gov/vads/ViewValueSet.action?oid=1.3.6.1.4.1.19376.1.7.3.1.1.13.8.164">https://phinvads.cdc.gov/vads/ViewValueSet.action?oid=1.3.6.1.4.1.19376.1.7.3.1.1.13.8.164</a>	IHE BFDR
Number of Live Births (NCHS)	1.3.6.1.4.1.19 376.1.7.3.1.1. 13.8.68	To reflect the Number of Live Births for the current pregnancy	LOINC	<a href="https://phinvads.cdc.gov/vads/ViewValueSet.action?oid=1.3.6.1.4.1.19376.1.7.3.1.1.13.8.68">https://phinvads.cdc.gov/vads/ViewValueSet.action?oid=1.3.6.1.4.1.19376.1.7.3.1.1.13.8.68</a>	IHE BFDR
Number of Preterm Births (NCHS)	1.3.6.1.4.1.19 376.1.7.3.1.1. 13.8.187	To reflect the number of preterm births in prior pregnancies	LOINC	<a href="https://phinvads.cdc.gov/vads/ViewValueSet.action?oid=1.3.6.1.4.1.19376.1.7.3.1.1.13.8.187">https://phinvads.cdc.gov/vads/ViewValueSet.action?oid=1.3.6.1.4.1.19376.1.7.3.1.1.13.8.187</a>	IHE BFDR
Number of Previous Cesareans (NCHS)	1.3.6.1.4.1.19 376.1.7.3.1.1. 13.8.148	To reflect the Number of Previous Cesareans as a Risk Factor in Pregnancy	LOINC	<a href="https://phinvads.cdc.gov/vads/ViewValueSet.action?oid=1.3.6.1.4.1.19376.1.7.3.1.1.13.8.148">https://phinvads.cdc.gov/vads/ViewValueSet.action?oid=1.3.6.1.4.1.19376.1.7.3.1.1.13.8.148</a>	IHE BFDR
Number of Previous Live Births Now Dead (NCHS)	1.3.6.1.4.1.19 376.1.7.3.1.1. 13.8.122	To reflect the Number of Previous Live Births Now Dead	LOINC	<a href="https://phinvads.cdc.gov/vads/ViewValueSet.action?oid=1.3.6.1.4.1.19376.1.7.3.1.1.13.8.122">https://phinvads.cdc.gov/vads/ViewValueSet.action?oid=1.3.6.1.4.1.19376.1.7.3.1.1.13.8.122</a>	IHE BFDR
Number of Previous Live Births Now Living (NCHS)	1.3.6.1.4.1.19 376.1.7.3.1.1. 13.8.123	To reflect the Number of Live Births Now Living	LOINC	<a href="https://phinvads.cdc.gov/vads/ViewValueSet.action?oid=1.3.6.1.4.1.19376.1.7.3.1.1.13.8.123">https://phinvads.cdc.gov/vads/ViewValueSet.action?oid=1.3.6.1.4.1.19376.1.7.3.1.1.13.8.123</a>	IHE BFDR

IHE Quality, Research and Public Health Technical Framework Supplement – Birth and Fetal Death Reporting-Enhanced (BFDR-E)

Name	Identifier	Purpose	Source	PHIN VADS URL	Groups
Number of Prior Pregnancies (NCHS)	1.3.6.1.4.1.19 376.1.7.3.1.1. 13.8.71	To reflect the Number of Prior Pregnancies	LOINC	<a href="https://phinvads.cdc.gov/vads/ViewValueSet.action?oid=1.3.6.1.4.1.19376.1.7.3.1.1.13.8.71">https://phinvads.cdc.gov/vads/ViewValueSet.action?oid=1.3.6.1.4.1.19376.1.7.3.1.1.13.8.71</a>	IHE BFDR
Number Prenatal Care Visits (NCHS)	1.3.6.1.4.1.19 376.1.7.3.1.1. 13.8.135	To reflect the Number Prenatal Care Visits	LOINC	<a href="https://phinvads.cdc.gov/vads/ViewValueSet.action?oid=1.3.6.1.4.1.19376.1.7.3.1.1.13.8.135">https://phinvads.cdc.gov/vads/ViewValueSet.action?oid=1.3.6.1.4.1.19376.1.7.3.1.1.13.8.135</a>	IHE BFDR
Obstetric Estimate of Gestation (NCHS)	1.3.6.1.4.1.19 376.1.7.3.1.1. 13.8.124	To reflect the Obstetric Estimate of Gestation of the newborn	LOINC	<a href="https://phinvads.cdc.gov/vads/ViewValueSet.action?oid=1.3.6.1.4.1.19376.1.7.3.1.1.13.8.124">https://phinvads.cdc.gov/vads/ViewValueSet.action?oid=1.3.6.1.4.1.19376.1.7.3.1.1.13.8.124</a>	IHE BFDR
Omphalocele of the Newborn (NCHS)	1.3.6.1.4.1.19 376.1.7.3.1.1. 13.8.66	To reflect Omphalocele of the Newborn as an anomaly of the newborn	SNOME D-CT	<a href="https://phinvads.cdc.gov/vads/ViewValueSet.action?oid=1.3.6.1.4.1.19376.1.7.3.1.1.13.8.66">https://phinvads.cdc.gov/vads/ViewValueSet.action?oid=1.3.6.1.4.1.19376.1.7.3.1.1.13.8.66</a>	IHE BFDR
Parvovirus (NCHS)	1.3.6.1.4.1.19 376.1.7.3.1.1. 13.8.168	To reflect infection with Parvovirus	SNOME D-CT	<a href="https://phinvads.cdc.gov/vads/ViewValueSet.action?oid=1.3.6.1.4.1.19376.1.7.3.1.1.13.8.168">https://phinvads.cdc.gov/vads/ViewValueSet.action?oid=1.3.6.1.4.1.19376.1.7.3.1.1.13.8.168</a>	IHE BFDR
Physician (NCHS)	1.3.6.1.4.1.19 376.1.7.3.1.1. 13.8.15	To reflect the Title of the Attendant responsible for the delivery Procedure as a Physician	SNOME D-CT	<a href="https://phinvads.cdc.gov/vads/ViewValueSet.action?oid=1.3.6.1.4.1.19376.1.7.3.1.1.13.8.15">https://phinvads.cdc.gov/vads/ViewValueSet.action?oid=1.3.6.1.4.1.19376.1.7.3.1.1.13.8.15</a>	IHE BFDR
Precipitous Labor (NCHS)	1.3.6.1.4.1.19 376.1.7.3.1.1. 13.8.130	To reflect Onset of labor with Precipitous Labor	SNOME D-CT	<a href="https://phinvads.cdc.gov/vads/ViewValueSet.action?oid=1.3.6.1.4.1.19376.1.7.3.1.1.13.8.130">https://phinvads.cdc.gov/vads/ViewValueSet.action?oid=1.3.6.1.4.1.19376.1.7.3.1.1.13.8.130</a>	IHE BFDR
Premature Rupture (NCHS)	1.3.6.1.4.1.19 376.1.7.3.1.1. 13.8.129	To reflect Onset of labor with Premature Rupture	SNOME D-CT	<a href="https://phinvads.cdc.gov/vads/ViewValueSet.action?oid=1.3.6.1.4.1.19376.1.7.3.1.1.13.8.129">https://phinvads.cdc.gov/vads/ViewValueSet.action?oid=1.3.6.1.4.1.19376.1.7.3.1.1.13.8.129</a>	IHE BFDR
Prepregnancy Diabetes (NCHS)	1.3.6.1.4.1.19 376.1.7.3.1.1. 13.8.136	To reflect Risk Factors of Prepregnancy Diabetes	SNOME D-CT	<a href="https://phinvads.cdc.gov/vads/ViewValueSet.action?oid=1.3.6.1.4.1.19376.1.7.3.1.1.13.8.136">https://phinvads.cdc.gov/vads/ViewValueSet.action?oid=1.3.6.1.4.1.19376.1.7.3.1.1.13.8.136</a>	IHE BFDR
Prepregnancy Hypertension (NCHS)	1.3.6.1.4.1.19 376.1.7.3.1.1. 13.8.138	To reflect Risk Factors of Prepregnancy Hypertension	SNOME D-CT	<a href="https://phinvads.cdc.gov/vads/ViewValueSet.action?oid=1.3.6.1.4.1.19376.1.7.3.1.1.13.8.138">https://phinvads.cdc.gov/vads/ViewValueSet.action?oid=1.3.6.1.4.1.19376.1.7.3.1.1.13.8.138</a>	IHE BFDR
Pre-Pregnancy Weight (NCHS)	1.3.6.1.4.1.19 376.1.7.3.1.1. 13.8.118	To reflect the mother's Pre-Pregnancy Weight	LOINC	<a href="https://phinvads.cdc.gov/vads/ViewValueSet.action?oid=1.3.6.1.4.1.19376.1.7.3.1.1.13.8.118">https://phinvads.cdc.gov/vads/ViewValueSet.action?oid=1.3.6.1.4.1.19376.1.7.3.1.1.13.8.118</a>	IHE BFDR



IHE Quality, Research and Public Health Technical Framework Supplement – Birth and Fetal Death Reporting-Enhanced (BFDR-E)

Name	Identifier	Purpose	Source	PHIN VADS URL	Groups
Preterm Birth (NCHS)	1.3.6.1.4.1.19 376.1.7.3.1.1. 13.8.141	To reflect Risk Factors of Preterm Birth (history)	SNOME D-CT	<a href="https://phinvads.cdc.gov/vads/ViewValueSet.action?oid=1.3.6.1.4.1.19376.1.7.3.1.1.13.8.141">https://phinvads.cdc.gov/vads/ViewValueSet.action?oid=1.3.6.1.4.1.19376.1.7.3.1.1.13.8.141</a>	IHE BFDR
Previous Cesarean (NCHS)	1.3.6.1.4.1.19 376.1.7.3.1.1. 13.8.147	To reflect Risk Factors of Pregnancy Previous Cesarean	SNOME D-CT	<a href="https://phinvads.cdc.gov/vads/ViewValueSet.action?oid=2.16.840.1.114222.4.1.1.7165">https://phinvads.cdc.gov/vads/ViewValueSet.action?oid=2.16.840.1.114222.4.1.1.7165</a>	IHE BFDR
Previous Other Pregnancy Outcomes (NCHS)	1.3.6.1.4.1.19 376.1.7.3.1.1. 13.8.121	To reflect the Previous Other Pregnancy Outcomes	LOINC	<a href="https://phinvads.cdc.gov/vads/ViewValueSet.action?oid=1.3.6.1.4.1.19376.1.7.3.1.1.13.8.121">https://phinvads.cdc.gov/vads/ViewValueSet.action?oid=1.3.6.1.4.1.19376.1.7.3.1.1.13.8.121</a>	IHE BFDR
Problem Status Active (NCHS)	1.3.6.1.4.1.19 376.1.7.3.1.1. 13.8.119	To reflect the Problem Status Active	SNOME D-CT	<a href="https://phinvads.cdc.gov/vads/ViewValueSet.action?oid=1.3.6.1.4.1.19376.1.7.3.1.1.13.8.119">https://phinvads.cdc.gov/vads/ViewValueSet.action?oid=1.3.6.1.4.1.19376.1.7.3.1.1.13.8.119</a>	IHE BFDR
Prolonged Labor (NCHS)	1.3.6.1.4.1.19 376.1.7.3.1.1. 13.8.131	To reflect Onset of labor with Prolonged Labor	SNOME D-CT	<a href="https://phinvads.cdc.gov/vads/ViewValueSet.action?oid=1.3.6.1.4.1.19376.1.7.3.1.1.13.8.131">https://phinvads.cdc.gov/vads/ViewValueSet.action?oid=1.3.6.1.4.1.19376.1.7.3.1.1.13.8.131</a>	IHE BFDR
Route and Method of Delivery - Cesarean (NCHS)	1.3.6.1.4.1.19 376.1.7.3.1.1. 13.8.114	To reflect the Route and Method of Delivery as Cesarean Delivery	SNOME D-CT	<a href="https://phinvads.cdc.gov/vads/ViewValueSet.action?oid=1.3.6.1.4.1.19376.1.7.3.1.1.13.8.114">https://phinvads.cdc.gov/vads/ViewValueSet.action?oid=1.3.6.1.4.1.19376.1.7.3.1.1.13.8.114</a>	IHE BFDR
Route and Method of Delivery - Scheduled C (NCHS)	1.3.6.1.4.1.19 376.1.7.3.1.1. 13.8.116	To reflect the Route and Method of Delivery as Scheduled Cesarean	SNOME D-CT	<a href="https://phinvads.cdc.gov/vads/ViewValueSet.action?oid=1.3.6.1.4.1.19376.1.7.3.1.1.13.8.116">https://phinvads.cdc.gov/vads/ViewValueSet.action?oid=1.3.6.1.4.1.19376.1.7.3.1.1.13.8.116</a>	IHE BFDR
Route and Method of Delivery - Spontaneous (NCHS)	1.3.6.1.4.1.19 376.1.7.3.1.1. 13.8.111	To reflect the Route and Method of Delivery as Spontaneous Delivery	SNOME D-CT	<a href="https://phinvads.cdc.gov/vads/ViewValueSet.action?oid=1.3.6.1.4.1.19376.1.7.3.1.1.13.8.111">https://phinvads.cdc.gov/vads/ViewValueSet.action?oid=1.3.6.1.4.1.19376.1.7.3.1.1.13.8.111</a>	IHE BFDR
Route Method of Delivery - Trial of Labor (NCHS)	1.3.6.1.4.1.19 376.1.7.3.1.1. 13.8.115	To reflect the Route and Method of Delivery if Cesarean was as Trial of Labor Attempted	SNOME D-CT	<a href="https://phinvads.cdc.gov/vads/ViewValueSet.action?oid=1.3.6.1.4.1.19376.1.7.3.1.1.13.8.115">https://phinvads.cdc.gov/vads/ViewValueSet.action?oid=1.3.6.1.4.1.19376.1.7.3.1.1.13.8.115</a>	IHE BFDR
Ruptured Uterus (NCHS)	1.3.6.1.4.1.19 376.1.7.3.1.1. 13.8.102	To reflect Ruptured Uterus as a maternal morbidity	SNOME D-CT	<a href="https://phinvads.cdc.gov/vads/ViewValueSet.action?oid=1.3.6.1.4.1.19376.1.7.3.1.1.13.8.102">https://phinvads.cdc.gov/vads/ViewValueSet.action?oid=1.3.6.1.4.1.19376.1.7.3.1.1.13.8.102</a>	IHE BFDR



IHE Quality, Research and Public Health Technical Framework Supplement – Birth and Fetal Death Reporting-Enhanced (BFDR-E)

Name	Identifier	Purpose	Source	PHIN VADS URL	Groups
Seizure or Serious Neurologic Dysfunction (NCHS)	1.3.6.1.4.1.19 376.1.7.3.1.1. 13.8.10	To reflect that the newborn suffered a Seizure or Serious Neurologic Dysfunction reflecting an abnormal condition of the newborn	SNOME D-CT	<a href="https://phinvads.cdc.gov/vads/ViewValueSet.action?oid=1.3.6.1.4.1.19376.1.7.3.1.1.13.8.10">https://phinvads.cdc.gov/vads/ViewValueSet.action?oid=1.3.6.1.4.1.19376.1.7.3.1.1.13.8.10</a>	IHE BFDR
Significant Birth Injury (NCHS)	1.3.6.1.4.1.19 376.1.7.3.1.1. 13.8.9	To reflect that the newborn suffered a Significant Birth Injury (skeletal fracture(s), peripheral nerve injury, and/ or soft tissue/solid organ hemorrhage which requires intervention) reflecting an abnormal condition of the newborn	SNOME D-CT	<a href="https://phinvads.cdc.gov/vads/ViewValueSet.action?oid=1.3.6.1.4.1.19376.1.7.3.1.1.13.8.9">https://phinvads.cdc.gov/vads/ViewValueSet.action?oid=1.3.6.1.4.1.19376.1.7.3.1.1.13.8.9</a>	IHE BFDR
Spinal Anesthesia – Medication (NCHS)	1.3.6.1.4.1.19 376.1.7.3.1.1. 13.8.28	To reflect a Spinal Anesthesia	RxNorm	<a href="https://phinvads.cdc.gov/vads/ViewValueSet.action?oid=1.3.6.1.4.1.19376.1.7.3.1.1.13.8.28">https://phinvads.cdc.gov/vads/ViewValueSet.action?oid=1.3.6.1.4.1.19376.1.7.3.1.1.13.8.28</a>	IHE BFDR
Spinal Anesthesia - Procedure (NCHS)	1.3.6.1.4.1.19 376.1.7.3.1.1. 13.8.29	To reflect an Spinal Anesthesia Procedure	SNOME D-CT	<a href="https://phinvads.cdc.gov/vads/ViewValueSet.action?oid=1.3.6.1.4.1.19376.1.7.3.1.1.13.8.29">https://phinvads.cdc.gov/vads/ViewValueSet.action?oid=1.3.6.1.4.1.19376.1.7.3.1.1.13.8.29</a>	IHE BFDR
Spontaneous Onset of Labor (NCHS)	1.3.6.1.4.1.19 376.1.7.3.1.1. 13.8.35	To reflect that there was a Spontaneous Onset of Labor	SNOME D-CT	<a href="https://phinvads.cdc.gov/vads/ViewValueSet.action?oid=1.3.6.1.4.1.19376.1.7.3.1.1.13.8.35">https://phinvads.cdc.gov/vads/ViewValueSet.action?oid=1.3.6.1.4.1.19376.1.7.3.1.1.13.8.35</a>	IHE BFDR
Steroids For Fetal Lung Maturation (NCHS)	2.16.840.1.11 4222.4.11.742 5	The value set contains a list of items to indicate whether steroids (glucocorticoids) for fetal lung maturation was received by the mother before delivery	SNOME D-CT	<a href="https://phinvads.cdc.gov/vads/ViewValueSet.action?oid=2.16.840.1.114222.4.11.7425">https://phinvads.cdc.gov/vads/ViewValueSet.action?oid=2.16.840.1.114222.4.11.7425</a>	IHE BFDR
Suspected Chromosomal Disorder (NCHS)	1.3.6.1.4.1.19 376.1.7.3.1.1. 13.8.57	To reflect Suspected Chromosomal Disorder as an anomaly of the newborn	SNOME D-CT	<a href="https://phinvads.cdc.gov/vads/ViewValueSet.action?oid=1.3.6.1.4.1.19376.1.7.3.1.1.13.8.57">https://phinvads.cdc.gov/vads/ViewValueSet.action?oid=1.3.6.1.4.1.19376.1.7.3.1.1.13.8.57</a>	IHE BFDR
Syphilis (NCHS)	1.3.6.1.4.1.19 376.1.7.3.1.1. 13.8.98	To reflect Syphilis as Infections present and treated during this pregnancy	SNOME D-CT	<a href="https://phinvads.cdc.gov/vads/ViewValueSet.action?oid=1.3.6.1.4.1.19376.1.7.3.1.1.13.8.98">https://phinvads.cdc.gov/vads/ViewValueSet.action?oid=1.3.6.1.4.1.19376.1.7.3.1.1.13.8.98</a>	IHE BFDR

IHE Quality, Research and Public Health Technical Framework Supplement – Birth and Fetal Death Reporting-Enhanced (BFDR-E)

Name	Identifier	Purpose	Source	PHIN VADS URL	Groups
Third Degree Perineal Laceration (NCHS)	1.3.6.1.4.1.19 376.1.7.3.1.1. 13.8.100	To reflect Third Degree Perineal Laceration as a maternal morbidity	SNOME D-CT	<a href="https://phinvads.cdc.gov/vads/ViewValueSet.action?oid=1.3.6.1.4.1.19376.1.7.3.1.1.13.8.100">https://phinvads.cdc.gov/vads/ViewValueSet.action?oid=1.3.6.1.4.1.19376.1.7.3.1.1.13.8.100</a>	IHE BFDR
Tocolysis (NCHS)	1.3.6.1.4.1.19 376.1.7.3.1.1. 13.8.128	To reflect Obstetric Procedures as Tocolysis	SNOME D-CT	<a href="https://phinvads.cdc.gov/vads/ViewValueSet.action?oid=1.3.6.1.4.1.19376.1.7.3.1.1.13.8.128">https://phinvads.cdc.gov/vads/ViewValueSet.action?oid=1.3.6.1.4.1.19376.1.7.3.1.1.13.8.128</a>	IHE BFDR
Toxoplasmosis (NCHS)	1.3.6.1.4.1.19 376.1.7.3.1.1. 13.8.169	To reflect infection with Toxoplasmosis	SNOME D-CT	<a href="https://phinvads.cdc.gov/vads/ViewValueSet.action?oid=1.3.6.1.4.1.19376.1.7.3.1.1.13.8.169">https://phinvads.cdc.gov/vads/ViewValueSet.action?oid=1.3.6.1.4.1.19376.1.7.3.1.1.13.8.169</a>	IHE BFDR
Transfer In (NCHS)	1.3.6.1.4.1.19 376.1.7.3.1.1. 13.8.177	To reflect if the mother was transferred to this facility	NUBC	<a href="https://phinvads.cdc.gov/vads/ViewValueSet.action?oid=1.3.6.1.4.1.19376.1.7.3.1.1.13.8.177">https://phinvads.cdc.gov/vads/ViewValueSet.action?oid=1.3.6.1.4.1.19376.1.7.3.1.1.13.8.177</a>	IHE BFDR
Transfer to (NCHS)	1.3.6.1.4.1.19 376.1.7.3.1.1. 13.8.190	To reflect if the infant was transferred within 24 hours of delivery to another facility	SNOME D-CT	<a href="https://phinvads.cdc.gov/vads/ViewValueSet.action?oid=1.3.6.1.4.1.19376.1.7.3.1.1.13.8.190">https://phinvads.cdc.gov/vads/ViewValueSet.action?oid=1.3.6.1.4.1.19376.1.7.3.1.1.13.8.190</a>	IHE BFDR
Transferred for Maternal Medical or Fetal Indications for Delivery (NCHS)	1.3.6.1.4.1.19 376.1.7.3.1.1. 13.8.176	To reflect Transferred for Maternal Medical or Fetal Indications for Delivery	SNOME D-CT	<a href="https://phinvads.cdc.gov/vads/ViewValueSet.action?oid=1.3.6.1.4.1.19376.1.7.3.1.1.13.8.176">https://phinvads.cdc.gov/vads/ViewValueSet.action?oid=1.3.6.1.4.1.19376.1.7.3.1.1.13.8.176</a>	IHE BFDR
Transfusion Whole Blood or Packed Red Bld (NCHS)	1.3.6.1.4.1.19 376.1.7.3.1.1. 13.8.99	To reflect Transfusion Whole Blood or Packed Red Blood as a maternal morbidity	SNOME D-CT	<a href="https://phinvads.cdc.gov/vads/ViewValueSet.action?oid=1.3.6.1.4.1.19376.1.7.3.1.1.13.8.99">https://phinvads.cdc.gov/vads/ViewValueSet.action?oid=1.3.6.1.4.1.19376.1.7.3.1.1.13.8.99</a>	IHE BFDR
Unplanned Hysterectomy (NCHS)	1.3.6.1.4.1.19 376.1.7.3.1.1. 13.8.103	To reflect Ruptured Uterus as a maternal morbidity	SNOME D-CT	<a href="https://phinvads.cdc.gov/vads/ViewValueSet.action?oid=1.3.6.1.4.1.19376.1.7.3.1.1.13.8.103">https://phinvads.cdc.gov/vads/ViewValueSet.action?oid=1.3.6.1.4.1.19376.1.7.3.1.1.13.8.103</a>	IHE BFDR
Unplanned Operation (NCHS)	1.3.6.1.4.1.19 376.1.7.3.1.1. 13.8.105	To reflect Ruptured Uterus as a maternal morbidity	SNOME D-CT	<a href="https://phinvads.cdc.gov/vads/ViewValueSet.action?oid=1.3.6.1.4.1.19376.1.7.3.1.1.13.8.105">https://phinvads.cdc.gov/vads/ViewValueSet.action?oid=1.3.6.1.4.1.19376.1.7.3.1.1.13.8.105</a>	IHE BFDR
U.S. Territories (NCHS)	1.3.6.1.4.1.19 376.1.7.3.1.1. 13.8.19	To reflect the U.S. Territories	FIPS 5-2	<a href="https://phinvads.cdc.gov/vads/ViewValueSet.action?oid=1.3.6.1.4.1.19376.1.7.3.1.1.13.8.19">https://phinvads.cdc.gov/vads/ViewValueSet.action?oid=1.3.6.1.4.1.19376.1.7.3.1.1.13.8.19</a>	IHE BFDR

### **6.5.2 Value Sets Defined by this profile**

2585 None

## 6.6 Data Mappings

This section defines mappings to and from the standard data elements defined in this profile.

### 6.6.1 Form Data Element Mappings from Pre-Pop Document

2590 The data elements defined in this profile can be computed from data elements in the Labor and Delivery Summary (LDS) of the electronic health record that is used as the pre-pop document. The LDS mapping rules described below overlays these data elements typically presented to the birth registrar in a form. The Derivation Rule includes a specification defining the source section and entry along with the rules for examining the LDS content to determine whether or not the data element is satisfied. These rules may specify examination of one or more LDS locations to 2595 make a determination of the data element result. While any LDS document may be used to populate the form, the IHE PCC Labor and Delivery Summary Document as constrained by the LDS-VR will result in the maximum number of pre-populated data elements.

2600 Table 6.6.1-1 describes the pre-population rules to derive the data elements in this profile from the LDS or LDR-VR. The Derivation Rule references the section where the logic and xpath source data is defined. The Value Sets reference the Value Subsets which are published and available from the Public Health Information Network Vocabulary Access and Distribution System (PHIN-VADS).

**Table 6.6.1-1: Form Data Elements Data Mapped to Input Content Document Modules**

Attribute code	Definition	Derivation Rule	Value Sets
ANTI	Any antibacterial drug given systemically (intravenous or intramuscular.) For example, penicillin, ampicillin, gentamicin, cefotaxime, etc.)	<a href="#">6.6.1.1.1.1 ANTI Derivation Rule</a>	<a href="#">6.6.1.1.1.3 ANTI Value Sets</a>
AVEN1	Infant given manual breaths with bag and mask or bag and endotracheal tube within the first several minutes from birth for any duration. Excludes oxygen only and laryngoscopy for aspiration of meconium.	<a href="#">6.6.1.1.2.1 AVEN1 Derivation Rule</a>	<a href="#">6.6.1.1.2.3 AVEN1 Value Sets</a>
AVEN6	Infant given mechanical ventilation (breathing assistance) by any method for more than 6 hours. Includes conventional, high frequency and/or continuous positive pressure (CPAP).	<a href="#">6.6.1.1.3.1 AVEN6 Derivation Rule</a>	<a href="#">6.6.1.1.3.3 AVEN6 Value Sets</a>

IHE Quality, Research and Public Health Technical Framework Supplement – Birth and Fetal Death Reporting-Enhanced (BFDR-E)

Attribute code	Definition	Derivation Rule	Value Sets
BINJ	Significant birth injury: (skeletal fracture(s), peripheral nerve injury and/or soft tissue/solid organ hemorrhage which requires intervention). Defined as present immediately following delivery or manifesting following delivery. Includes any bony fracture or weakness or loss of sensation, but excludes fractured clavicles and transient facial nerve palsy. Soft tissue hemorrhage requiring evaluation and/or treatment includes sub-galeal (progressive extravasation within the scalp) hemorrhage, giant cephalohematoma, extensive truncal, facial and /or extremity ecchymossi accompanied by evidence of anemia and/or hypovolemia and or hypotension. Solid organ hemorrhage includes subcapsular hematoma of the liver, fractures of the spleen, or adrenal hematoma. All require confirmation by diagnostic imaging or exploratory laparotomy.	<a href="#">6.6.1.1.4.1 BINJ Derivation Rule</a>	<a href="#">6.6.1.1.3.3 AVEN6 Value Sets</a>
NICU	Admission into a facility or unit staffed and equipped to provide continuous mechanical ventilatory support for the newborn.	<a href="#">6.6.1.1.5.1 NICU Derivation Rule</a>	<a href="#">6.6.1.1.5.3 NICU Value Sets</a>
SEIZ	Seizure defined as any involuntary repetitive, convulsive movement or behavior. Serious neurologic dysfunction defined as severe alteration of alertness such as obtundation, stupor, or coma, i.e., hypoxicischemic encephalopathy. Excludes lethargy or hypotonia in the absence of other neurologic findings. Exclude symptoms associated with CNS congenital anomalies.	<a href="#">6.6.1.1.6.1 SEIZ Derivation Rule</a>	<a href="#">6.6.1.1.6.3 SEIZ Value Sets</a>
SURF	Newborn given surfactant replacement therapy: Endotracheal instillation of a surface active suspension for the treatment of surfactant deficiency either due to preterm birth or pulmonary injury resulting in decreased lung compliance (respiratory distress). Includes both artificial and extracted natural surfactant.	<a href="#">6.6.1.1.7.1 SURF Derivation Rule</a>	<a href="#">6.6.1.1.7.1 SURF Derivation Rule</a>
NOA54	None of the listed abnormal conditions of the newborn.	<a href="#">6.6.1.1.8.1 NOA54 Derivation Rule</a>	<a href="#">6.6.1.1.8.3 NOA54 Value Sets</a>
DNA54	If the data are not available when the abnormal conditions of the newborn are provided, the pending flag is set. The item will appear on the final review screen for entry before information is sent to vital records.	<a href="#">6.6.1.1.9.1 DNA54 Derivation Rule</a>	<a href="#">6.6.1.1.9.3 DNA54 Value Sets</a>
APGAR5	A systematic measure for evaluating the physical condition of the infant at specific intervals following birth. Enter the infant's Apgar score at 5 minutes.	<a href="#">6.6.1.1.10.1 APGAR5 Derivation Rule</a>	<a href="#">6.6.1.1.10.3 APGAR5 Value Sets</a>
APGAR10	A systematic measure for evaluating the physical condition of the infant at specific intervals following birth. If the score at 5 minutes is less than 6, enter the infant's Apgar score at 10 minutes	<a href="#">6.6.1.1.11.1 APGAR10 Derivation Rule</a>	<a href="#">6.6.1.1.10.3 APGAR10 Value Sets</a>
ATTENDN	The name of the attendant (the person responsible for delivering the child), their title, and their National Provider Identification (NPI) Number.	<a href="#">6.6.1.1.12.1 ATTENDN Derivation Rule</a>	<a href="#">6.6.1.1.12.3 ATTENDN Value Sets</a>

IHE Quality, Research and Public Health Technical Framework Supplement – Birth and Fetal Death Reporting-Enhanced (BFDR-E)

Attribute code	Definition	Derivation Rule	Value Sets
ATTEND	The title of the person (attendant) responsible for delivering the child. The attendant at birth is defined as the individual physically present at the delivery who is responsible for the delivery. Titles include: M.D. (doctor of medicine); D.O. (doctor of osteopathy); CNM/CM (certified nurse midwife/certified midwife); Other midwife (midwife other than a CNM/CM); and Other (specify)	<a href="#">6.6.1.1.13.1 ATTEND Derivation Rule</a>	<a href="#">6.6.1.1.13.3 ATTEND Value Sets</a>
ATTENDS	The specific title of the person (attendant) responsible for delivering the child if not included in the list of provided titles. Examples include nurse, father, police officer, and EMS technician. The attendant at birth is defined as the individual physically present at the delivery who is responsible for the delivery.	<a href="#">6.6.1.1.14.1 ATTENDS Derivation Rule</a>	<a href="#">6.6.1.1.14.3 ATTENDS Value Sets</a>
NPI	The National Provider Identification Number (NPI) of the person (attendant) responsible for delivering the child.	<a href="#">6.6.1.1.15.1 NPI Derivation Rule</a>	<a href="#">6.6.1.1.15.3 NPI Value Sets</a>
BWG	Infant's birthweight in grams.	<a href="#">6.6.1.1.16.1 BWG Derivation Rule</a>	<a href="#">6.6.1.1.16.3 BWG Value Sets</a>
BWO	Infant's birthweight in ounces.	<a href="#">6.6.1.1.17.1 BWO Derivation Rule</a>	<a href="#">6.6.1.1.17.3 BWO Value Sets</a>
BWP	Infant's birthweight in pounds.	<a href="#">6.6.1.1.18.1 BWP Derivation Rule</a>	<a href="#">6.6.1.1.18.3 BWP Value Sets</a>
ANTB	Antibiotics received by the mother during labor. Includes antibacterial medications given systemically (intravenous or intramuscular) to the mother in the interval between the onset of labor and the actual delivery. Includes: Ampicillin, Penicillin, Clindamycin, Erythromycin, Gentamicin, Cefataxine, and Ceftriaxone. Information about the course of labor and delivery.	<a href="#">6.6.1.1.19.1 ANTB Derivation Rule</a>	<a href="#">6.6.1.1.19.3 ANTB Value Sets</a>
AUGL	Augmentation of labor: Stimulation of uterine contractions by drug or manipulative technique with the intent to reduce the time of delivery (i.e., after labor has begun). Information about the course of labor and delivery.	<a href="#">6.6.1.1.20.1 AUGL Derivation Rule</a>	<a href="#">6.6.1.1.20.3 AUGL Value Sets</a>
CHOR	Any recorded maternal temperature at or above 38oC (100.4oF) or clinical diagnosis of chorioamnionitis during labor made by the delivery attendant (usually includes more than one of the following: fever, uterine tenderness and/or irritability, leukocytosis, or fetal tachycardia). Information about the course of labor and delivery.	<a href="#">6.6.1.1.21.1 CHOR Derivation Rule</a>	<a href="#">6.6.1.1.21.3 CHOR Value Sets</a>
ESAN	Administration to the mother of a regional anesthetic to control the pain of labor. Delivery of the agent into a limited space with the distribution of the analgesic effect limited to the lower body. Information about the course of labor and delivery.	<a href="#">6.6.1.1.22.1 ESAN Derivation Rule</a>	<a href="#">6.6.1.1.22.3 ESAN Value Sets</a>

IHE Quality, Research and Public Health Technical Framework Supplement – Birth and Fetal Death Reporting-Enhanced (BFDR-E)

Attribute code	Definition	Derivation Rule	Value Sets
INDL	Induction of labor: Initiation of uterine contractions by medical and/or surgical means for the purpose of delivery before the spontaneous onset of labor (i.e., before labor has begun). Information about the course of labor and delivery.	<a href="#">6.6.1.1.23.1 INDL Derivation Rule</a>	<a href="#">6.6.1.1.23.3 INDL Value Sets</a>
STER	Steroids (glucocorticoids): For fetal lung maturation received by the mother before delivery. Includes: Betamethasone dexamethasone, or hydrocortisone specifically given to accelerate fetal lung maturation in anticipation of preterm delivery. Does not include: Steroid medication given to the mother as an anti-inflammatory treatment before or after delivery. Information about the course of labor and delivery.	<a href="#">6.6.1.1.24.1 STER Derivation Rule</a>	<a href="#">6.6.1.1.24.3 STER Value Sets</a>
NOA04	None of the listed characteristics of labor and delivery that provide information about the course of labor and delivery.	<a href="#">6.6.1.1.25.1 NOA04 Derivation Rule</a>	<a href="#">6.6.1.1.25.3 NOA04 Value Sets</a>
DNA04	If the data are not available when the characteristics of labor and delivery are provided, the pending flag is set. The item will appear on the final review screen for entry before information is sent to vital records.	<a href="#">6.6.1.1.26.1 DNA04 Derivation Rule</a>	<a href="#">6.6.1.1.26.3 DNA04 Value Sets</a>
IDOB_YR	The infant's date (year) of birth.	<a href="#">6.6.1.1.27.1 IDOB_YR Derivation Rule</a>	<a href="#">6.6.1.1.27.3 IDOB_YR Value Sets</a>
IDOB_MO	The infant's date (month) of birth.	<a href="#">6.6.1.1.28.1 IDOB_MO Derivation Rule</a>	<a href="#">6.6.1.1.28.3 IDOB_MO Value Sets</a>
IDOB_DY	The infant's date (day) of birth.	<a href="#">6.6.1.1.29.1 IDOB_DY Derivation Rule</a>	<a href="#">6.6.1.1.29.3 IDOB_DY Value Sets</a>
KIDFNAM	The legal name (first) of the child as provided by the parents.	<a href="#">6.6.1.1.30.1 KIDFNAM Derivation Rule</a>	<a href="#">6.6.1.1.30.3 KIDFNAM Value Sets</a>
KIDMNAM E	The legal name (middle) of the child as provided by the parents.	<a href="#">6.6.1.1.31.1 KIDMNAM Derivation Rule</a>	<a href="#">6.6.1.1.31.3 KIDMNAM Value Sets</a>
KIDLNAM E	The legal name (last) of the child as provided by the parents.	<a href="#">6.6.1.1.32.1 KIDLNAM Derivation Rule</a>	<a href="#">6.6.1.1.32.3 KIDLNAM Value Sets</a>
KIDSUFFIX	The legal name (suffix) of the child as provided by the parents.	<a href="#">6.6.1.1.33.1 KIDSUFFIX Derivation Rule</a>	<a href="#">6.6.1.1.33.3 KIDSUFFIX Value Sets</a>
BFED	Information on whether the infant was being breast-fed during the period between birth and discharge from the hospital.	<a href="#">6.6.1.1.34.1 BFED Derivation Rule</a>	<a href="#">6.6.1.1.34.3 BFED Value Sets</a>

IHE Quality, Research and Public Health Technical Framework Supplement – Birth and Fetal Death Reporting-Enhanced (BFDR-E)

Attribute code	Definition	Derivation Rule	Value Sets
ILIV	Information on the infant’s survival. Check “Yes” if the infant is living. Check “Yes” if the infant has already been discharged to home care. Check “No” if it is known that the infant has died. If the infant was transferred but the status is known, indicate the known status.	<a href="#">6.6.1.1.35.1 ILIV Derivation Rule</a>	<a href="#">6.6.1.1.35.3 ILIV Value Sets</a>
IRECNUM	The medical record number assigned to the newborn.	<a href="#">6.6.1.1.36.1 IRECNUM Derivation Rule</a>	<a href="#">6.6.1.1.36.3 IRECNUM Value Sets</a>
ISEX	The sex of the infant.	<a href="#">6.6.1.1.37.1 ISEX Derivation Rule</a>	<a href="#">6.6.1.1.37.3 ISEX Value Sets</a>
ITRAN	Transfer status of the infant within 24 hours after delivery.	<a href="#">6.6.1.1.38.1 ITRAN Derivation Rule</a>	<a href="#">6.6.1.1.38.3 ITRAN Value Sets</a>
FTRAN	NA	<a href="#">6.6.1.1.39.1 FTRAN Derivation Rule</a>	<a href="#">6.6.1.1.39.3 FTRAN Value Sets</a>
TB	The infant’s time of birth.	<a href="#">6.6.1.1.40.1 TB Derivation Rule</a>	<a href="#">6.6.1.1.40.3 TB Value Sets</a>
ANEN	Partial or complete absence of the brain and skull. Also called anencephalus, acrania, or absent brain .Also includes infants with craniorachischisis (anencephaly with a contiguous spine defect).	<a href="#">6.6.1.1.41.1 ANEN Derivation Rule</a>	<a href="#">6.6.1.1.41.3 ANTI Value Sets</a>
CCHD	Congenital heart defects that cause cyanosis.	<a href="#">6.6.1.1.42.1 CCHD Derivation Rule</a>	<a href="#">6.6.1.1.42.3 CCHD Value Sets</a>
CDH	Defect in the formation of the diaphragm allowing herniation of abdominal organs into the thoracic cavity.	<a href="#">6.6.1.1.43.1 CDH Derivation Rule</a>	<a href="#">6.6.1.1.43.3 CDH Value Sets</a>
CDIC	Suspected chromosomal disorder karyotype confirmed	<a href="#">6.6.1.1.44.1 CDIC Derivation Rule</a>	<a href="#">6.6.1.1.44.3 CDIC Value Sets</a>
CDIS	Suspected chromosomal disorder: Includes any constellation of congenital malformations resulting from or compatible with known syndromes caused by detectable defects in chromosome structure	<a href="#">6.6.1.1.45.1 CDIS Derivation Rule</a>	<a href="#">6.6.1.1.45.3 CDIS Value Sets</a>
‘CDIP	Suspected chromosomal disorder karyotype pending.	<a href="#">6.6.1.1.46.1 CDIP Derivation Rule</a>	<a href="#">6.6.1.1.46.3 CDIP Value Sets</a>
CL	Cleft lip with or without cleft palate refers to incomplete closure of the lip. Cleft lip may be unilateral, bilateral or median; all should be included in this category.	<a href="#">6.6.1.1.47.1 CL Derivation Rule</a>	<a href="#">6.6.1.1.47.3 CL Value Sets</a>
CP	Cleft palate refers to incomplete fusion of the palatal shelves. This may be limited to the soft palate or may also extend into the hard palate. Cleft palate in the presence of cleft lip should be included in the “Cleft Lip with or without cleft Palate” category, rather than here.	<a href="#">6.6.1.1.48.1 CP Derivation Rule</a>	<a href="#">6.6.1.1.48.3 CP Value Sets</a>
DOWC	Down Karyotype confirmed	<a href="#">6.6.1.1.49.1 DOWC Derivation Rule</a>	<a href="#">6.6.1.1.49.3 DOWC Value Sets</a>
DOWN	Down Syndrome: Trisomy 21	<a href="#">6.6.1.1.50.1 DOWN Derivation Rule</a>	<a href="#">6.6.1.1.50.3 DOWN Value Sets</a>



IHE Quality, Research and Public Health Technical Framework Supplement – Birth and Fetal Death Reporting-Enhanced (BFDR-E)

Attribute code	Definition	Derivation Rule	Value Sets
DOWP	Down Karyotype pending	<a href="#">6.6.1.1.51.1 DOWP Derivation Rule</a>	<a href="#">6.6.1.1.51.3 DOWP Value Sets</a>
GAST	An abnormality of the anterior abdominal wall, lateral to the umbilicus, resulting in herniation of the abdominal contents directly into the amniotic cavity. Differentiated from omphalocele by the location of the defect and absence of a protective membrane.	<a href="#">6.6.1.1.52.1 GAST Derivation Rule</a>	<a href="#">6.6.1.1.52.3 GAST Value Sets</a>
HYPO	Hypospadias: Incomplete closure of the male urethra resulting in the urethral meatus opening on the ventral surface of the penis. Includes first degree – on the glans ventral to the tip, second degree – in the coronal sulcus, and third degree – on the penile shaft.	<a href="#">6.6.1.1.53.1 HYPO Derivation Rule</a>	<a href="#">6.6.1.1.53.3 HYPO Value Sets</a>
LIMB	Limb reduction defect: (excluding congenital amputation and dwarfing syndromes) Complete or partial absence of a portion of an extremity secondary to failure to develop.	<a href="#">6.6.1.1.54.1 LIMB Derivation Rule</a>	<a href="#">6.6.1.1.54.3 LIMB Value Sets</a>
MNSB	Spina bifida is herniation of the meninges and/or spinal cord tissue through a bony defect of spine closure. Meningomyelocele is herniation of meninges and spinal cord tissue. Meningocele (herniation of meninges without spinal cord tissue) should also be included in this category. Both open and closed (covered with skin) lesions should be included. Do not include Spina bifida occulta (a midline bony spinal defect without protrusion of the spinal cord or meninges).	<a href="#">6.6.1.1.55.1 MNSB Derivation Rule</a>	<a href="#">6.6.1.1.55.3 MNSB Value Sets</a>
OMPH	A defect in the anterior abdominal wall, accompanied by herniation of some abdominal organs through a widened umbilical ring into the umbilical stalk. The defect is covered by a membrane, (different from gastroschisis, see below), although this sac may rupture. Also called exomphalos. Umbilical hernia (completely covered by skin) should not be included in this category.	<a href="#">6.6.1.1.56.1 OMPH Derivation Rule</a>	<a href="#">6.6.1.1.56.3 OMPH Value Sets</a>
NOA55	None of the listed congenital anomalies of the newborn or fetus.	<a href="#">6.6.1.1.57.1 NOA55 Derivation Rule</a>	<a href="#">6.6.1.1.57.3 NOA55 Value Sets</a>
DNA55	If the data are not available when the abnormal conditions of the newborn are provided, the pending flag is set. The item will appear on the final review screen for entry before information is sent to vital records.	<a href="#">6.6.1.1.58.1 DNA55 Derivation Rule</a>	<a href="#">6.6.1.1.58.3 DNA55 Value Sets</a>
YLLB	The year of birth of the last live-born infant.	<a href="#">6.6.1.1.59.1 YLLB Derivation Rule</a>	<a href="#">6.6.1.1.59.3 YLLB Value Sets</a>
MLLB	The month of birth of the last live-born infant.	<a href="#">6.6.1.1.60.1 MLLB Derivation Rule</a>	<a href="#">6.6.1.1.60.3 MLLB Value Sets</a>
DLMP_DY	The date the mother's last normal menstrual period began.	<a href="#">6.6.1.1.61.1 DLMP_DY Derivation Rule</a>	<a href="#">6.6.1.1.61.3 DLMP_DY Value Sets</a>
DLMP_MO	The date the mother's last normal menstrual period began.	<a href="#">6.6.1.1.62.1 DLMP_MO Derivation Rule</a>	<a href="#">6.6.1.1.62.3 DLMP_MO Value Sets</a>

IHE Quality, Research and Public Health Technical Framework Supplement – Birth and Fetal Death Reporting-Enhanced (BFDR-E)

Attribute code	Definition	Derivation Rule	Value Sets
DLMP_YR	The date the mother’s last normal menstrual period began.	<a href="#">6.6.1.1.63.1 DLMP_YR Derivation Rule</a>	<a href="#">6.6.1.1.63.3 DLMP_YR Value Sets</a>
YOPO	The date (year) that the last pregnancy that did not result in a live birth ended. Includes pregnancy losses at any gestation age. Examples: spontaneous or induced losses or ectopic pregnancy.	<a href="#">6.6.1.1.64.1 YOPO Derivation Rule</a>	<a href="#">6.6.1.1.64.3 YOPO Value Sets</a>
MOPO	The date (month) that the last pregnancy that did not result in a live birth ended. Includes pregnancy losses at any gestation age. Examples: spontaneous or induced losses or ectopic pregnancy.	<a href="#">6.6.1.1.65.1 MOPO Derivation Rule</a>	<a href="#">6.6.1.1.65.3 MOPO Value Sets</a>
ADDRESS_D	NA	<a href="#">6.6.1.1.66.1 ADDRESS_D Derivation Rule</a>	<a href="#">6.6.1.1.66.3 ADDRESS_D Value Sets</a>
FNAME	The name of the facility where the delivery took place.	<a href="#">6.6.1.1.67.1 FNAME Derivation Rule</a>	<a href="#">6.6.1.1.67.3 FNAME Value Sets</a>
FNPI	National Provider Identifier.	<a href="#">6.6.1.1.68.1 FNPI Derivation Rule</a>	<a href="#">6.6.1.1.68.3 FNPI Value Sets</a>
CHAM	Chlamydia: A positive test for Chlamydia trachomatis. Infections present at the time of the pregnancy diagnosis or a confirmed diagnosis during the pregnancy with or without documentation of treatment. Documentation of treatment during this pregnancy is adequate if a definitive diagnosis is not present in the available record.	<a href="#">6.6.1.1.69.1 CHAM Derivation Rule</a>	<a href="#">6.6.1.1.69.3 CHAM Value Sets</a>
GON	Gonorrhea: A positive test/culture for Neisseria gonorrhea. Infections present at the time of the pregnancy diagnosis or a confirmed diagnosis during the pregnancy with or without documentation of treatment. Documentation of treatment during this pregnancy is adequate if a definitive diagnosis is not present in the available record.	<a href="#">6.6.1.1.70.1 GON Derivation Rule</a>	<a href="#">6.6.1.1.70.3 GON Value Sets</a>
HEPB	Hepatitis B (HBV, serum hepatitis): A positive test for the hepatitis B virus. Infections present at the time of the pregnancy diagnosis or a confirmed diagnosis during the pregnancy with or without documentation of treatment. Documentation of treatment during this pregnancy is adequate if a definitive diagnosis is not present in the available record.	<a href="#">6.6.1.1.71.1 HEPB Derivation Rule</a>	<a href="#">6.6.1.1.71.3 HEPB Value Sets</a>

IHE Quality, Research and Public Health Technical Framework Supplement – Birth and Fetal Death Reporting-Enhanced (BFDR-E)

Attribute code	Definition	Derivation Rule	Value Sets
HEPC	Hepatitis C (non-A, non-B hepatitis (HCV)): A positive test for the hepatitis C virus. Infections present at the time of the pregnancy diagnosis or a confirmed diagnosis during the pregnancy with or without documentation of treatment. Documentation of treatment during this pregnancy is adequate if a definitive diagnosis is not present in the available record.	<a href="#">6.6.1.1.72.1 HEPC Derivation Rule</a>	<a href="#">6.6.1.1.72.3 HEPC Value Sets</a>
SYPH	Syphilis (also called lues) A positive test for Treponema pallidum. Infections present at the time of the pregnancy diagnosis or a confirmed diagnosis during the pregnancy with or without documentation of treatment. Documentation of treatment during this pregnancy is adequate if a definitive diagnosis is not present in the available record.	<a href="#">6.6.1.1.73.1 SYPH Derivation Rule</a>	<a href="#">6.6.1.1.73.3 SYPH Value Sets</a>
NOA02	None of the listed infections were present and treated during this pregnancy.	<a href="#">6.6.1.1.74.1 NOA02 Derivation Rule</a>	<a href="#">6.6.1.1.74.3 NOA02 Value Sets</a>
AINT	Admission to intensive care unit: Any admission, planned or unplanned, of the mother to a facility/unit designated as providing intensive care. Serious complications experienced by the mother associated with labor and delivery.	<a href="#">6.6.1.1.75.1 AINT Derivation Rule</a>	<a href="#">6.6.1.1.75.3 AINT Value Sets</a>
MTR	Maternal transfusion: Includes infusion of whole blood or packed red blood cells within the period specified. Serious complications experienced by the mother associated with labor and delivery.	<a href="#">6.6.1.1.76.1 MTR Derivation Rule</a>	<a href="#">6.6.1.1.76.3 MTR Value Sets</a>
PLAC	Third or fourth degree perineal laceration: 3rd degree laceration extends completely through the perineal skin, vaginal mucosa, perineal body and anal sphincter. 4th degree laceration is all of the above with extension through the rectal mucosa. Serious complications experienced by the mother associated with labor and delivery.	<a href="#">6.6.1.1.77.1 PLAC Derivation Rule</a>	<a href="#">6.6.1.1.77.3 PLAC Value Sets</a>
RUT	Ruptured Uterus: Tearing of the uterine wall. Serious complications experienced by the mother associated with labor and delivery.	<a href="#">6.6.1.1.78.1 RUT Derivation Rule</a>	<a href="#">6.6.1.1.78.3 RUT Value Sets</a>
UHYS	Unplanned hysterectomy: Surgical removal of the uterus that was not planned prior to admission for delivery. Includes an anticipated or possible but not definitively planned procedure. Serious complications experienced by the mother associated with labor and delivery.	<a href="#">6.6.1.1.79.1 UHYS Derivation Rule</a>	<a href="#">6.6.1.1.79.3 UHYS Value Sets</a>
UOPR	Unplanned operating room procedure following delivery: Any transfer of the mother back to a surgical area for an operative procedure that was not planned prior to the admission for delivery. Excludes postpartum tubal ligations. Serious complications experienced by the mother associated with labor and delivery.	<a href="#">6.6.1.1.80.1 UOPR Derivation Rule</a>	<a href="#">6.6.1.1.80.3 UOPR Value Sets</a>
NOA05	None of the listed serious complications experienced by the mother associated with labor and delivery.	<a href="#">6.6.1.1.81.1 NOA05 Derivation Rule</a>	<a href="#">6.6.1.1.81.3 NOA05 Value Sets</a>

IHE Quality, Research and Public Health Technical Framework Supplement – Birth and Fetal Death Reporting-Enhanced (BFDR-E)

Attribute code	Definition	Derivation Rule	Value Sets
PRES	The physical process by which the complete delivery of the fetus was affected. Fetal presentation at birth - Cephalic: Presenting part of the fetus listed as vertex, occiput anterior (OA), occiput posterior (OP); Breech: Presenting part of the fetus listed as breech, complete breech, frank breech, footling breech; Other: Any other presentation not listed above.	<a href="#">6.6.1.1.82.1 PRES Derivation Rule</a>	<a href="#">6.6.1.1.82.3 PRES Value Sets</a>
ROUT	Delivery of the fetal head through the vagina by the application of obstetrical forceps to the fetal head; Vaginal/vacuum Delivery of the fetal head through the vagina by the application of a vacuum cup or ventouse to the fetal head; or Cesarean: Extraction of the fetus, placenta, and membranes through an incision in the maternal abdominal and uterine walls.	<a href="#">6.6.1.1.83.1 ROUT Derivation Rule</a>	<a href="#">6.6.1.1.83.3 ROUT Value Sets</a>
TLAB	If cesarean, indicate if a trial of labor was attempted (labor was allowed, augmented, or induced with plans for a vaginal delivery).	<a href="#">6.6.1.1.84.1 TLAB Derivation Rule</a>	<a href="#">6.6.1.1.84.3 TLAB Value Sets</a>
MFNAME	The current legal first name of the mother.	<a href="#">6.6.1.1.85.1 MFNAME Derivation Rule</a>	<a href="#">6.6.1.1.85.3 MFNAME Value Sets</a>
MMNAME	The current legal middle name of the mother.	<a href="#">6.6.1.1.86.1 MMNAME Derivation Rule</a>	<a href="#">6.6.1.1.86.3 MMNAME Value Sets</a>
MLNAME	The current legal last name of the mother.	<a href="#">6.6.1.1.87.1 MLNAME Derivation Rule</a>	<a href="#">6.6.1.1.87.3 MLNAME Value Sets</a>
MSUFF	The current legal name suffix of the mother.	<a href="#">6.6.1.1.88.1 MSUFF Derivation Rule</a>	<a href="#">6.6.1.1.88.3 MSUFF Value Sets</a>
HFT	Mother's height feet	<a href="#">6.6.1.1.89.1 HFT Derivation Rule</a>	<a href="#">6.6.1.1.89.3 HFT Value Sets</a>
HIN	Mother's height inches	<a href="#">6.6.1.1.90.1 HINT Derivation Rule</a>	<a href="#">6.6.1.1.90.3 HIN Value Sets</a>
MRECNUM	The mother's medical record number for this facility admission	<a href="#">6.6.1.1.91.1 MRECNUM Derivation Rule</a>	<a href="#">6.6.1.1.91.3 MRECNUM Value Sets</a>
PWGT	The mother's prepregnancy weight	<a href="#">6.6.1.1.92.1 PWGT Derivation Rule</a>	<a href="#">6.6.1.1.92.3 PWGT Value Sets</a>
NFACL	Indicates the name of the facility the mother was transferred from if the mother was transferred from another facility. Transfers include hospital to hospital, birth facility to hospital, etc. Does not include home to hospital.	<a href="#">6.6.1.1.93.1 NFACL Derivation Rule</a>	<a href="#">6.6.1.1.93.3 NFACL Value Sets</a>

IHE Quality, Research and Public Health Technical Framework Supplement – Birth and Fetal Death Reporting-Enhanced (BFDR-E)

<b>Attribute code</b>	<b>Definition</b>	<b>Derivation Rule</b>	<b>Value Sets</b>
TRAN	Indicates if the mother was transferred from another facility. Transfers include hospital to hospital, birth facility to hospital, etc. Does not include home to hospital.	<a href="#">6.6.1.1.94.1 TRAN Derivation Rule</a>	<a href="#">6.6.1.1.94.3 TRAN Value Sets</a>
DWGT	The mother's weight at the time of delivery	<a href="#">6.6.1.1.95.1 DWGT Derivation Rule</a>	<a href="#">6.6.1.1.95.3 DWGT Value Sets</a>
POPO	Total number of other pregnancy outcomes that did not result in a live birth. Includes pregnancy losses of any gestation age. Examples: spontaneous or induced losses or ectopic pregnancy.	<a href="#">6.6.1.1.96.1 POPO Derivation Rule</a>	<a href="#">6.6.1.1.96.3 POPO Value Sets</a>
PLBD	The total number of previous live-born infants now dead.	<a href="#">6.6.1.1.97.1 PLBD Derivation Rule</a>	<a href="#">6.6.1.1.97.3 PLBD Value Sets</a>
PLBL	The total number of previous live-born infants now living.	<a href="#">6.6.1.1.98.1 PLBL Derivation Rule</a>	<a href="#">6.6.1.1.98.3 PLBL Value Sets</a>
OWGEST	The best obstetric estimate of the infant's gestation in completed weeks based on the birth attendant's final estimate of gestation This estimate of gestation should be determined by all perinatal factors and assessments such as ultrasound, but not the neonatal exam. Ultrasound taken early in pregnancy is preferred.	<a href="#">6.6.1.1.99.1 OWGEST Derivation Rule</a>	<a href="#">6.6.1.1.99.3 OWGEST Value Sets</a>
CERV	Cervical cerclage: Circumferential banding or suture of the cervix to prevent or treat dilation. Includes: MacDonal's suture; Shirodkar procedure; and Abdominal cerclage via laparotomy. Obstetric procedures: Medical treatment or invasive/manipulative procedure performed during this pregnancy to treat the pregnancy or to manage labor and/or delivery.	<a href="#">6.6.1.1.100.1 CERV Derivation Rule</a>	<a href="#">6.6.1.1.100.3 CERV Value Sets</a>
ECVF	Failed External cephalic version: Failed attempt to convert a fetus from a nonvertex to a vertex presentation by external manipulation. Obstetric procedures: Medical treatment or invasive/manipulative procedure performed during this pregnancy to treat the pregnancy or to manage labor and/or delivery.	<a href="#">6.6.1.1.101.1 ECVF Derivation Rule</a>	<a href="#">6.6.1.1.101.3 ECVF Value Sets</a>
ECVS	Successful External cephalic version: Successful conversion of a fetus from a nonvertex to a vertex presentation by external manipulation. Obstetric procedures: Medical treatment or invasive/manipulative procedure performed during this pregnancy to treat the pregnancy or to manage labor and/or delivery.	<a href="#">6.6.1.1.102.1 ECVS Derivation Rule</a>	<a href="#">6.6.1.1.102.3 ECVS Value Sets</a>

IHE Quality, Research and Public Health Technical Framework Supplement – Birth and Fetal Death Reporting-Enhanced (BFDR-E)

Attribute code	Definition	Derivation Rule	Value Sets
TOC	Tocolysis: Administration of any agent with the intent to inhibit preterm uterine contractions to extend the length of the pregnancy. Medications: Magnesium sulfate (for preterm labor); Terbutaline; Indocin (for preterm labor). Obstetric procedures: Medical treatment or invasive/manipulative procedure performed during this pregnancy to treat the pregnancy or to manage labor and/or delivery.	<a href="#">6.6.1.1.103.1 TOC Derivation Rule</a>	<a href="#">6.6.1.1.103.3 TOC Value Sets</a>
NOA03	None of the listed obstetric procedures were performed for medical treatment or invasive/manipulative procedures during this pregnancy to treat the pregnancy or to manage labor and/or delivery.	<a href="#">6.6.1.1.104.1 NOA03 Derivation Rule</a>	<a href="#">6.6.1.1.104.3 NOA03 Value Sets</a>
PROM	Premature Rupture of the Membranes (prolonged $\geq$ 12 hours): Spontaneous tearing of the amniotic sac, (natural breaking of the “bag of waters”), 12 hours or more before labor begins. Serious complications experienced by the mother associated with labor and delivery.	<a href="#">6.6.1.1.105.1 PROM Derivation Rule</a>	<a href="#">6.6.1.1.105.3 PROM Value Sets</a>
PRIC	Precipitous labor (<3hours): Labor that progresses rapidly and lasts for less than 3 hours. Serious complications experienced by the mother associated with labor and delivery.	<a href="#">6.6.1.1.106.1 PRIC Derivation Rule</a>	<a href="#">6.6.1.1.106.3 PRIC Value Sets</a>
PROL	Prolonged labor ( $\geq$ 20 hours): Labor that progresses slowly and lasts for 20 hours or more. Serious complications experienced by the mother associated with labor and delivery.	<a href="#">6.6.1.1.107.1 PROL Derivation Rule</a>	<a href="#">6.6.1.1.107.3 PROL Value Sets</a>
NOA05	None of the listed serious complications experienced by the mother associated with labor and delivery.	<a href="#">6.6.1.1.108.1 NOA05 Derivation Rule</a>	<a href="#">6.6.1.1.108.3 NOA05 Value Sets</a>
SFN	NA	<a href="#">6.6.1.1.109.1 SFN Derivation Rule</a>	<a href="#">6.6.1.1.109.3 SFN Value Sets</a>
FLOC	NA	<a href="#">6.6.1.1.110.1 FLOC Derivation Rule</a>	<a href="#">6.6.1.1.110.3 FLOC Value Sets</a>
CNAME	NA	<a href="#">6.6.1.1.111.1 CNAME Derivation Rule</a>	<a href="#">6.6.1.1.111.3 CNAME Value Sets</a>
CNTYO	NA	<a href="#">6.6.1.1.112.1 CNTYO Derivation Rule</a>	<a href="#">6.6.1.1.112.3 CNTYO Value Sets</a>
BPLACE	NA	<a href="#">6.6.1.1.113.1 BPLACE Derivation Rule</a>	<a href="#">6.6.1.1.113.3 BPLACE Value Sets</a>
PLUR	The number of fetuses delivered live or dead at any time in the pregnancy regardless of gestational age or if the fetuses were delivered at different dates in the pregnancy. (“Reabsorbed” fetuses, those which are not “delivered” (expulsed or extracted from the mother) should not be counted.)	<a href="#">6.6.1.1.114.1 PLUR Derivation Rule</a>	<a href="#">6.6.1.1.114.3 PLUR Value Sets</a>

IHE Quality, Research and Public Health Technical Framework Supplement – Birth and Fetal Death Reporting-Enhanced (BFDR-E)

<b>Attribute code</b>	<b>Definition</b>	<b>Derivation Rule</b>	<b>Value Sets</b>
DOFP_MO	The month a physician or other health care professional first examined and/or counseled the pregnant woman for the pregnancy.	<a href="#">6.6.1.1.115.1 DOFP_MO Derivation Rule</a>	<a href="#">6.6.1.1.115.3 DOFP_MO Value Sets</a>
DOFP_DY	The day a physician or other health care professional first examined and/or counseled the pregnant woman for the pregnancy.	<a href="#">6.6.1.1.116.1 DOFP_DY Derivation Rule</a>	<a href="#">6.6.1.1.116.3 DOFP_DY Value Sets</a>
DOFP_YR	The year a physician or other health care professional first examined and/or counseled the pregnant woman for the pregnancy.	<a href="#">6.6.1.1.117.1 DOFP_YR Derivation Rule</a>	<a href="#">6.6.1.1.117.3 DOFP_YR Value Sets</a>
NPREV	The total number of visits recorded in the record.	<a href="#">6.6.1.1.118.1 NPREV Derivation Rule</a>	<a href="#">6.6.1.1.118.3 NPREV Value Sets</a>
PAY	The principal source of payment at the time of delivery: Includes: Private insurance (Blue Cross/Blue Shield, Aetna, etc.); Medicaid (or a comparable State program); Self-pay (no third party identified); Other (Indian Health Service, CHAMPUS/ TRICARE, other government [Federal, State, local]); Unknown	<a href="#">6.6.1.1.119.1 PAY Derivation Rule</a>	<a href="#">6.6.1.1.119.3 PAY Value Sets</a>
PDIAB	Prepregnancy Diabetes (diagnosis of glucose intolerance requiring treatment before this pregnancy).	<a href="#">6.6.1.1.120.1 PDIAB Derivation Rule</a>	<a href="#">6.6.1.1.120.3 PDIAB Value Sets</a>
GDIAB	Gestational Diabetes (diagnosis of glucose intolerance requiring treatment during this pregnancy).	<a href="#">6.6.1.1.121.1 GDIAB Derivation Rule</a>	<a href="#">6.6.1.1.121.3 GDIAB Value Sets</a>
PHYPE	Prepregnancy (Chronic) Hypertension (Elevation of blood pressure above normal for age, gender, and physiological condition with diagnosis prior to the onset of this pregnancy. Does not include gestational (pregnancy induced) hypertension (PIH).)	<a href="#">6.6.1.1.122.1 PHYPE Derivation Rule</a>	<a href="#">6.6.1.1.122.3 PHYPE Value Sets</a>
GHYPE	Gestational Hypertension (Elevation of blood pressure above normal for age, gender, and physiological condition with diagnosis in this pregnancy (pregnancy-induced hypertension or preeclampsia).	<a href="#">6.6.1.1.123.1 GHYPE Derivation Rule</a>	<a href="#">6.6.1.1.123.3 GHYPE Value Sets</a>
EHYPE	Eclampsia Hypertension (Elevation of blood pressure above normal for age, gender, and physiological condition with proteinuria with generalized seizures or coma. May include pathologic edema.	<a href="#">6.6.1.1.124.1 EHYPE Derivation Rule</a>	<a href="#">6.6.1.1.124.3 EHYPE Value Sets</a>
PPB	History of pregnancy(ies) terminating in a live birth of less than 37 completed weeks of gestation.	<a href="#">6.6.1.1.125.1 PPB Derivation Rule</a>	<a href="#">6.6.1.1.126.3 PPB Value Sets</a>
INFT	Any assisted reproductive treatment used to initiate the pregnancy. Includes: Drugs (such as Clomid, Pergonal); Artificial insemination; Technical procedures (such as in-vitro fertilization).	<a href="#">6.6.1.1.126.1 INFT Derivation Rule</a>	<a href="#">6.6.1.1.126.3 INFT Value Sets</a>



IHE Quality, Research and Public Health Technical Framework Supplement – Birth and Fetal Death Reporting-Enhanced (BFDR-E)

Attribute code	Definition	Derivation Rule	Value Sets
INFT_DRG	Fertility-enhancing drugs, artificial insemination or intrauterine insemination Any fertility enhancing drugs (e.g., Clomid, Pergonal), artificial insemination or intrauterine insemination used to initiate the pregnancy	<a href="#">6.6.1.1.127.1 INFT_DRG Derivation Rule</a>	<a href="#">6.6.1.1.127.3 INFT_DRG Value Sets</a>
INFT_ART	Assisted reproductive technology (e.g., in vitro fertilization (IVF), gamete intrafallopian transfer GIFT)) Any assisted reproductive technology (ART/technical procedures (e.g., IVF, GIFT, ZIFT)) used to initiate the pregnancy.	<a href="#">6.6.1.1.128.1 INFT_ART Derivation Rule</a>	<a href="#">6.6.1.1.128.3 INFT_ART Value Sets</a>
PCES	Previous delivery by extracting the fetus, placenta, and membranes through an incision in the mother's abdominal and uterine walls.	<a href="#">6.6.1.1.129.1 PCES Derivation Rule</a>	<a href="#">6.6.1.1.129.3 PCES Value Sets</a>
NPCES	Number of previous deliveries extracting the fetus, placenta, and membranes through an incision in the mother's abdominal and uterine walls.	<a href="#">6.6.1.1.130.1 NPCES Derivation Rule</a>	<a href="#">6.6.1.1.130.3 NPCES Value Sets</a>
NOA01	The patient had none of the listed risk factors in this pregnancy.	<a href="#">6.6.1.1.131.1 NOA01 Derivation Rule</a>	<a href="#">6.6.1.1.131.3 NOA01 Value Sets</a>
SORD	Order this infant was delivered in the set.	<a href="#">6.6.1.1.132.1 SORD Derivation Rule</a>	<a href="#">6.6.1.1.132.3 SORD Value Sets</a>
FSEX	The sex of the infant.	<a href="#">6.6.1.1.133.1 FSEX Derivation Rule</a>	<a href="#">6.6.1.1.133.3 FSEX Value Sets</a>
FDOD_YR	Date of Delivery (Fetus) Year	<a href="#">6.6.1.1.134.1 FDOD_YR Derivation Rule</a>	<a href="#">6.6.1.1.134.3 FDOD_YR Value Sets</a>
FDOD_MO	Date of Delivery (Fetus) Month	<a href="#">6.6.1.1.135 FDOD_MO Derivation Rule</a>	<a href="#">6.6.1.1.135.3 FDOD_MO Value Sets</a>
FDOD_DY	Date of Delivery (Fetus) Day	<a href="#">6.6.1.1.136.1 FDOD_DY Derivation Rule</a>	<a href="#">6.6.1.1.136.3 FDOD_DY Value Sets</a>
ETIME	Item to indicate when the fetus died with respect to labor and assessment.	<a href="#">6.6.1.1.137.1 ETIME Derivation Rule</a>	<a href="#">6.6.1.1.137.3 ETIME Value Sets</a>
LIVEB	Specify the number of infants in this delivery born alive	<a href="#">6.6.1.1.138.1 LIVEB Derivation Rule</a>	<a href="#">6.6.1.1.138.3 LIVEB Value Sets</a>
FDTH	Specify the number of fetal deaths in this delivery	<a href="#">6.6.1.1.139.1 FDTH Derivation Rule</a>	<a href="#">6.6.1.1.139.3 FDTH Value Sets</a>
HYST	Hysterotomy/Hysterectomy was the physical process by which the complete delivery of the fetus was affected.  Hysterotomy: Incision into the uterus extending into the uterine cavity. May be performed vaginally or transabdominally.  Hysterectomy: Surgical removal of the uterus. May be performed abdominally or vaginally.	<a href="#">6.6.1.1.140.1 HYST Derivation Rule</a>	<a href="#">6.6.1.1.140.3 HYST Value Sets</a>
TD	Hour and minute fetus was delivered.	<a href="#">6.6.1.1.141.1 TD Derivation Rule</a>	<a href="#">6.6.1.1.141.3 TD Value Sets</a>



IHE Quality, Research and Public Health Technical Framework Supplement – Birth and Fetal Death Reporting-Enhanced (BFDR-E)

Attribute code	Definition	Derivation Rule	Value Sets
AUTOP	Information on whether or not an autopsy was performed	<a href="#">6.6.1.1.142.1 AUTOP Derivation Rule</a>	<a href="#">6.6.1.1.142.3 AUTOP Value Sets</a>
FWO	Fetus' weight in ounces.	<a href="#">6.6.1.1.143.1 FWO Derivation Rule</a>	<a href="#">6.6.1.1.143.3 FWO Value Sets</a>
FWG	Fetus' weight in grams.	<a href="#">6.6.1.1.144.1 FWG Derivation Rule</a>	<a href="#">6.6.1.1.144.3 FWG Value Sets</a>
FWP	Fetus' weight in pounds.	<a href="#">6.6.1.1.145.1 FWP Derivation Rule</a>	<a href="#">6.6.1.1.145.3 FWP Value Sets</a>
LM	Listeria: A diagnosis of or positive test for Listeria monocytogenes. Infections present at the time of the pregnancy diagnosis or a confirmed diagnosis during the pregnancy with or without documentation of treatment. Documentation of treatment during this pregnancy is adequate if a definitive diagnosis is not present in the available record.	<a href="#">6.6.1.1.146.1 LM Derivation Rule</a>	<a href="#">6.6.1.1.146.3 LM Value Sets</a>
GBS	Group B Streptococcus: A diagnosis of or positive test for Streptococcus agalactiae or group B streptococcus. Infections present at the time of the pregnancy diagnosis or a confirmed diagnosis during the pregnancy with or without documentation of treatment. Documentation of treatment during this pregnancy is adequate if a definitive diagnosis is not present in the available record.	<a href="#">6.6.1.1.147.1 GBS Derivation Rule</a>	<a href="#">6.6.1.1.147.3 GBS Value Sets</a>
CMV	Cytomegalovirus (CMV): A diagnosis of or positive test for Cytomegalovirus. Infections present at the time of the pregnancy diagnosis or a confirmed diagnosis during the pregnancy with or without documentation of treatment. Documentation of treatment during this pregnancy is adequate if a definitive diagnosis is not present in the available record.	<a href="#">6.6.1.1.148.1 CMV Derivation Rule</a>	<a href="#">6.6.1.1.148.3 CMV Value Sets</a>
B19	Parvovirus: A diagnosis of or positive test for Parvovirus B19. Infections present at the time of the pregnancy diagnosis or a confirmed diagnosis during the pregnancy with or without documentation of treatment. Documentation of treatment during this pregnancy is adequate if a definitive diagnosis is not present in the available record	<a href="#">6.6.1.1.149.1 B19 Derivation Rule</a>	<a href="#">6.6.1.1.149.3 B19 Value Sets</a>
HISTOP	Information on whether or not a histological placental examination was performed	<a href="#">6.6.1.1.150.1 HISTOP Derivation Rule</a>	<a href="#">6.6.1.1.150.3 HISTOP Value Sets</a>
TOXO	Toxoplasmosis: A diagnosis of or positive test for Toxoplasma gondii.	<a href="#">6.6.1.1.151.1 TOXO Derivation Rule</a>	<a href="#">6.6.1.1.151.3 TOXO Value Sets</a>

2605 **6.6.1.1 Form Derivation Rules**

Variable definitions within this section. are only scoped within each rule. For this document, the convention is that Variable names begin with '\$'

### 6.6.1.1.1 ANTI

#### 6.6.1.1.1.1 ANTI Derivation Rule

2610 IF (\$Indication CONTAINS ValueSet (*Neonatal Sepsis (NCHS)*) AND (\$CodedProductName CONTAINS ValueSet (*Antibiotics (NCHS)*)) AND (\$Route CONTAINS ValueSet (*IM Medication Administration Route (NCHS)*) OR ValueSet (*IV Medication Administration Route (NCHS)*)), OR IF \$ProcedureCode CONTAINS ValueSet (*Antibiotic Administration Procedure (NCHS)*) THEN ANTI SHALL = “Y” ELSE “N”

#### 2615 6.6.1.1.1.2 ANTI LDS Source and Logic Variables

Newborn Delivery Information Section

1.3.6.1.4.1.19376.1.5.3.1.1.21.2.4

Medications Administered Section

1.3.6.1.4.1.19376.1.5.3.1.3.21

2620 Medication Entry

1.3.6.1.4.1.19376.1.5.3.1.4.7

**\$CodedProductName =**

ClinicalDocument/component/structuredBody/component/section[templated[@root='1.3.6.1.4.1.19376.1.5.3.1.1.21.2.4']]/subject/relatedSubject/code[@code='NCHILD' AND id=idOfTheChild]/

2625 component/section[templated[@root='1.3.6.1.4.1.19376.1.5.3.1.3.21']]/entry/substanceAdministration/consumable/manufacturedProduct/labeledDrug/code

**\$Route =**

ClinicalDocument/component/structuredBody/component/section[[templated[@root=1.3.6.1.4.1.19376.1.5.3.1.1.21.2.4]]/subject/relatedSubject/code[@code='NCHILD' AND

2630 id=idOfTheChild]/component/section

templated[@root=1.3.6.1.4.1.19376.1.5.3.1.3.21]]/substanceAdministration/routeCode

**\$Indication =**

ClinicalDocument/component/structuredBody/component/section[[templated[@root='1.3.6.1.4.1.19376.1.5.3.1.1.21.2.4']]/subject/relatedSubject/code[@code='NCHILD' AND id=idOfTheChild]/

2635 component/section[templated[@root='1.3.6.1.4.1.19376.1.5.3.1.3.21']]/substanceAdministration/entryRelationship[@typeCode='RSON']/observation[cda:templated[@root='2.16.840.1.113883.10.20.1.28']]/code

Newborn Delivery Information Section

2640 1.3.6.1.4.1.19376.1.5.3.1.1.21.2.4

Procedures and Interventions Section

1.3.6.1.4.1.19376.1.5.3.1.1.13.2.11

Procedure Entry

1.3.6.1.4.1.19376.1.5.3.1.4.19

2645 **\$ProcedureCode =**

ClinicalDocument/component/structuredBody/component/section[templateId[@root='1.3.6.1.4.1.19376.1.5.3.1.1.21.2.4']]/ subject/relatedSubject/code[@code='NCHILD' AND id=idOfTheChild]/ component/section[templateId[@root='1.3.6.1.4.1.19376.1.5.3.1.1.13.2.11']]/entry/procedure/code

### **6.6.1.1.1.3 ANTI Value Sets**

2650 Antibiotics (NCHS) [1.3.6.1.4.1.19376.1.7.3.1.1.13.8.3](#)

IM Medication Administration Route (NCHS) [1.3.6.1.4.1.19376.1.7.3.1.1.13.8.5](#)

IV Medication Administration Route (NCHS) [1.3.6.1.4.1.19376.1.7.3.1.1.13.8.4](#)

Neonatal Sepsis (NCHS) [1.3.6.1.4.1.19376.1.7.3.1.1.13.8.6](#)

Antibiotic Administration Procedure (NCHS) [1.3.6.1.4.1.19376.1.7.3.1.1.13.8.178](#)

2655 **6.6.1.1.2 AVEN1**

### **6.6.1.1.2.1 AVEN1 Derivation Rule**

IF (\$ProcedureCode CONTAINS ValueSet (*Assisted Ventilation (NCHS)*) AND (\$ProcedureStartTime - \$BirthTime < 5 minutes) THEN AVEN1 SHALL = “Y” ELSE “N”

### **6.6.1.1.2.2 AVEN1 LDS Source and Logic Variables**

2660 Newborn Delivery Information Section

1.3.6.1.4.1.19376.1.5.3.1.1.21.2.4

Procedures and Interventions Section

1.3.6.1.4.1.19376.1.5.3.1.1.13.2.11

Procedure Entry

2665 1.3.6.1.4.1.19376.1.5.3.1.4.19

**\$ProcedureCode =**

ClinicalDocument/component/structuredBody/component/section[templateId[@root='1.3.6.1.4.1.19376.1.5.3.1.1.21.2.4']]/ subject/relatedSubject/code[@code='NCHILD' AND id=idOfTheChild]/component/section[templateId[@root='1.3.6.1.4.1.19376.1.5.3.1.1.13.2.11']]/entry /procedure/code

2670

**\$ProcedureStartTime =**

2675 ClinicalDocument/component/structuredBody/component/section[templateId[@root='1.3.6.1.4.1.19376.1.5.3.1.1.21.2.4']]/ subject/relatedSubject/code[@code='NCHILD' AND id=idOfTheChild]/ component/section[templateId[@root='1.3.6.1.4.1.19376.1.5.3.1.1.13.2.11']]/entry/procedure/effectiveTime/low

Newborn Delivery Information Section

1.3.6.1.4.1.19376.1.5.3.1.1.21.2.4

**\$BirthTime =**

2680 ClinicalDocument/component/structuredBody/component/section/templateId[@root='1.3.6.1.4.1.19376.1.5.3.1.1.21.2.4']/subject/relatedSubject[code[@code='NCHILD' AND id=idOfTheChild]]/subject/birthTime

**6.6.1.1.2.3 AVEN1 Value Sets**

Assisted Ventilation (NCHS)

[2.16.840.1.114222.4.11.7156](#)

**6.6.1.1.3 AVEN6**

2685 **6.6.1.1.3.1 AVEN6 Derivation Rule**

IF (\$ProcedureCode CONTAINS ValueSet (*Assisted Ventilation (NCHS)*) AND (\$ProcedureEndTime – \$ProcedureStartTime >=6 hours) THEN AVEN6 SHALL = “Y” ELSE “N”

**6.6.1.1.3.2 AVEN6 LDS Source and Logic Variables**

2690 Newborn Delivery Information Section

1.3.6.1.4.1.19376.1.5.3.1.1.21.2.4

Procedures and Interventions Section

1.3.6.1.4.1.19376.1.5.3.1.1.13.2.11

Procedure Entry

2695 1.3.6.1.4.1.19376.1.5.3.1.4.19

**\$ProcedureCode =**

2700 ClinicalDocument/component/structuredBody/component/section[templateId[@root='1.3.6.1.4.1.19376.1.5.3.1.1.21.2.4']]/ subject/relatedSubject/code[@code='NCHILD' AND id=idOfTheChild]/ component/section[templateId[@root='1.3.6.1.4.1.19376.1.5.3.1.1.13.2.11']]/entry/procedure/code

**\$ProcedureStartTime =**

ClinicalDocument/component/structuredBody/component/section[templateId[@root='1.3.6.1.4.1.19376.1.5.3.1.1.21.2.4']]/ subject/relatedSubject/code[@code='NCHILD' AND id=idOfTheChild]

component/section[templatedId[@root='1.3.6.1.4.1.19376.1.5.3.1.1.13.2.11']]/entry/procedure/effectiveTime/low

2705 **\$ProcedureEndTime =**

ClinicalDocument/component/structuredBody/component/section[templatedId[@root='1.3.6.1.4.1.19376.1.5.3.1.1.21.2.4']]/subject/relatedSubject/code[@code='NCHILD' AND id=idOfTheChild]/component/section[templatedId[@root='1.3.6.1.4.1.19376.1.5.3.1.1.13.2.11']]/entry/procedure/effectiveTime/high

2710 **6.6.1.1.3.3 AVEN6 Value Sets**

Assisted Ventilation (NCHS) [2.16.840.1.114222.4.11.7156](#)

**6.6.1.1.4 BINJ**

**6.6.1.1.4.1 BINJ Derivation Rule**

2715 IF **\$EventOutcomesObservationCode** CONTAINS ValueSet (*Significant Birth Injury (NCHS)*), THEN BINJ SHALL = “Y” ELSE “N”

**6.6.1.1.4.2 BINJ LDS Source and Logic Variables**

Newborn Delivery Information Section

1.3.6.1.4.1.19376.1.5.3.1.1.21.2.4

Coded Event Outcomes Section

2720 1.3.6.1.4.1.19376.1.7.3.1.1.13.7

Problem Observation Entry

1.3.6.1.4.1.19376.1.5.3.1.4.5

**\$EventOutcomesObservationCode =**

2725 ClinicalDocument/component/structuredBody/component/section[templatedId[@root='1.3.6.1.4.1.19376.1.5.3.1.1.21.2.4'] AND subject/relatedSubject[code[@code='NCHILD' AND id=idOfTheChild]]]/component/section[templatedId[@root='1.3.6.1.4.1.19376.1.7.3.1.1.13.7']]/entry[templatedId[@root='1.3.6.1.4.1.19376.1.5.3.1.4.5']]/observation/value

**6.6.1.1.4.3 BINJ Value Sets**

Significant Birth Injury (NCHS) [1.3.6.1.4.1.19376.1.7.3.1.1.13.8.9](#)

2730 **6.6.1.1.5 NICU**

**6.6.1.1.5.1 NICU Derivation Rule**

IF (**\$EventOutcomesObservationCode** CONTAINS (*NICU Care (NCHS)*)), THEN NICU SHALL = “Y” ELSE “N”

### 6.6.1.1.5.2 NICU LDS Source and Logic Variables

2735 Newborn Delivery Information Section

1.3.6.1.4.1.19376.1.5.3.1.1.21.2.4

Coded Event Outcomes Section

1.3.6.1.4.1.19376.1.7.3.1.1.13.7

Patient Transfer Entry

2740 1.3.6.1.4.1.19376.1.5.3.1.1.25.1.4.1 **\$EventOutcomesObservationCode =**

ClinicalDocument/component/structuredBody/component/section[templateId[@root='1.3.6.1.4.1.19376.1.5.3.1.1.21.2.4'] subject/relatedSubject/code[@code='NCHILD' AND id=idOfTheChild]/component/section[templateId[@root='1.3.6.1.4.1.19376.1.7.3.1.1.13.7']]/component/section[templateId[@root='1.3.6.1.4.1.19376.1.5.3.1.1.25.1.4.1']]/entry/act/participant[typeCode='DST']/participantRole[@typecode='SDLOC']code

2745

### 6.6.1.1.5.3 NICU Value Sets

NICU Care (NCHS) [1.3.6.1.4.1.19376.1.7.3.1.1.13.8.198](#)

### 6.6.1.1.6 SEIZ

#### 6.6.1.1.6.1 SEIZ Derivation Rule

2750 IF (**\$ProblemCode** CONTAINS ValueSet (*Seizure or Serious Neurologic Dysfunction (NCHS)*)) THEN SEIZ SHALL = “Y” ELSE “N”

#### 6.6.1.1.6.2 SEIZ LDS Source and Logic Variables

Newborn Delivery Information Section

1.3.6.1.4.1.19376.1.5.3.1.1.21.2.4

2755 Active Problems Section

1.3.6.1.4.1.19376.1.5.3.1.3.6

Problem Concern Entry

1.3.6.1.4.1.19376.1.5.3.1.4.5.2

**\$ProblemCode =**

2760

ClinicalDocument/component/structuredBody/component/section[templateId[@root='1.3.6.1.4.1.19376.1.5.3.1.1.21.2.4']]/ subject/relatedSubject/code[@code='NCHILD' AND id=idOfTheChild]/component/section[templateId[@root='1.3.6.1.4.1.19376.1.5.3.1.3.6']]/entry/act/entryRelationship/observation/value

### 6.6.1.1.6.3 SEIZ Value Sets

2765 Seizure or Serious Neurologic Dysfunction (NCHS) [1.3.6.1.4.1.19376.1.7.3.1.1.13.8.10](#)

### 6.6.1.1.7 SURF

#### 6.6.1.1.7.1 SURF Derivation Rule

2770 IF (**\$CodedProductName** CONTAINS ValueSet (*Newborn Receiving Surfactant Replacement Therapy (NCHS)*) OR **\$ProcedureCode** CONTAINS ValueSet (*Surfactant Replacement Therapy (NCHS)*)), THEN SURF SHALL = “Y” ELSE “N”

#### 6.6.1.1.7.2 SURF LDS Source and Logic Variables

Newborn Delivery Information Section

1.3.6.1.4.1.19376.1.5.3.1.1.21.2.4

Medications Administered Section

2775 1.3.6.1.4.1.19376.1.5.3.1.3.21

Medication Entry

1.3.6.1.4.1.19376.1.5.3.1.4.7

**\$CodedProductName** =

2780 ClinicalDocument/component/structuredBody/component/section[templateId[@root='1.3.6.1.4.1.19376.1.5.3.1.1.21.2.4']]/ subject/relatedSubject/code[@code='NCHILD' AND id=idOfTheChild]/ component/section[templateId[@root='1.3.6.1.4.1.19376.1.5.3.1.3.21']]/entry/substanceAdministration/ consumable/manufacturedProduct/labeledDrug/code

Newborn Delivery Information Section

2785 1.3.6.1.4.1.19376.1.5.3.1.1.21.2.4

Procedures and Interventions Section

1.3.6.1.4.1.19376.1.5.3.1.1.13.2.11

Procedure Entry

1.3.6.1.4.1.19376.1.5.3.1.4.19

2790 **\$ProcedureCode** =

ClinicalDocument/component/structuredBody/component/section[templateId[@root='1.3.6.1.4.1.19376.1.5.3.1.1.21.2.4']]/ subject/relatedSubject/code[@code='NCHILD' AND id=idOfTheChild]/ component/section[templateId[@root='1.3.6.1.4.1.19376.1.5.3.1.1.13.2.11']]/entry/procedure/code

### **6.6.1.1.7.3 SURF Value Sets**

2795 Newborn Receiving Surfactant Replacement Therapy (NCHS)

[1.3.6.1.4.1.19376.1.7.3.1.1.13.8.11](#)

Surfactant Replacement Therapy (NCHS) [2.16.840.1.114222.4.11.7431](#)

### **6.6.1.1.8 NOA54**

#### **6.6.1.1.8.1 NOA54 Derivation Rule**

2800 This SHALL require data entry and SHALL NOT be a result of a default from the other attributes in the list

#### **6.6.1.1.8.2 NOA54 LDS Source and Logic Variables**

NA

#### **6.6.1.1.8.3 NOA54 Value Sets**

2805 NA

### **6.6.1.1.9 DNA54**

#### **6.6.1.1.9.1 DNA54 Derivation Rule**

2810 IF ((AVEN1 = “U”) OR (AVEN6 = “U”) OR (NICU = “U”) OR (SURF = “U”) OR (ANTI = “U”) OR (SEIZ = “U”) OR (BINJ = “U”)), THEN DNA54 SHALL = “1” ELSE DNA54 SHALL = “0”

#### **6.6.1.1.9.2 DNA54 LDS Source and Logic Variables**

Precondition: AVEN1, AVEN6, NICU, SURF, ANTI, SEIZ, BINJ

#### **6.6.1.1.9.3 DNA54 Value Sets**

NA

2815 **6.6.1.1.10 APGAR5**

#### **6.6.1.1.10.1 APGAR5 Derivation Rule**

IF (**\$GeneralAppearanceObservationCode** CONTAINS ValueSet (5 Min Apgar Score (NCHS))), THEN “APGAR5” = (**\$GeneralAppearanceObservationValue**)

#### **6.6.1.1.10.2 APGAR5 LDS Source and Logic Variables**

2820 Newborn Delivery Information Section

[1.3.6.1.4.1.19376.1.5.3.1.1.21.2.4](#)



Coded Detailed Physical Examination Section

1.3.6.1.4.1.19376.1.5.3.1.1.9.15.1

General Appearance Section

2825 1.3.6.1.4.1.19376.1.5.3.1.1.9.16

Problem Observation Entry

1.3.6.1.4.1.19376.1.5.3.1.4.5

**\$GeneralAppearanceObservationCode =**

2830 ClinicalDocument/component/structuredBody/component/section[templateId[@root='1.3.6.1.4.1.19376.1.5.3.1.1.21.2.4']]/ subject/relatedSubject/code[@code='NCHILD' AND id=idOfTheChild]/ component/section[templateId[@root='1.3.6.1.4.1.19376.1.5.3.1.1.9.15.1']]/component/section[templateId[@root='1.3.6.1.4.1.19376.1.5.3.1.1.9.16']]/entry /observation/code

**\$GeneralAppearanceObservationValue =**

2835 ClinicalDocument/component/structuredBody/component/section[templateId[@root='1.3.6.1.4.1.19376.1.5.3.1.1.21.2.4']]/ subject/relatedSubject/code[@code='NCHILD' AND id=idOfTheChild]/ component/section[templateId[@root='1.3.6.1.4.1.19376.1.5.3.1.1.9.15.1']]/component/section[templateId[@root='1.3.6.1.4.1.19376.1.5.3.1.1.9.16']]/entry /observation/value

**6.6.1.1.10.3 APGAR5 Value Sets**

5 Min Apgar Score (NCHS) [1.3.6.1.4.1.19376.1.7.3.1.1.13.8.12](#)

2840 **6.6.1.1.11 APGAR10**

**6.6.1.1.11.1 APGAR10 Derivation Rule**

IF (“APGAR5” <6), AND (**\$GeneralAppearanceObservationCode** CONTAINS ValueSet (10 Min Apgar Score (NCHS))), THEN “APGAR10” = (**\$GeneralAppearanceObservationValue** )

**6.6.1.1.11.2 APGAR10 LDS Source and Logic Variables**

2845 Newborn Delivery Information Section

1.3.6.1.4.1.19376.1.5.3.1.1.21.2.4

Coded Detailed Physical Examination Section

1.3.6.1.4.1.19376.1.5.3.1.1.9.15.1

General Appearance Section

2850 1.3.6.1.4.1.19376.1.5.3.1.1.9.16

Problem Observation Entry

1.3.6.1.4.1.19376.1.5.3.1.4.5

**\$GeneralAppearanceObservationCode =**

2855 ClinicalDocument/component/structuredBody/component/section[templateId[@root='1.3.6.1.4.1.19376.1.5.3.1.1.21.2.4']]/ subject/relatedSubject/code[@code='NCHILD' AND id=idOfTheChild]/ component/section[templateId[@root='1.3.6.1.4.1.19376.1.5.3.1.1.9.15.1']]/component/section[templateId[@root='1.3.6.1.4.1.19376.1.5.3.1.1.9.16']]/entry /observation/code

**\$GeneralAppearanceObservationValue =**

2860 ClinicalDocument/component/structuredBody/component/section[templateId[@root='1.3.6.1.4.1.19376.1.5.3.1.1.21.2.4']]/ subject/relatedSubject/code[@code='NCHILD' AND id=idOfTheChild]/ component/section[templateId[@root='1.3.6.1.4.1.19376.1.5.3.1.1.9.15.1']]/component/section[templateId[@root='1.3.6.1.4.1.19376.1.5.3.1.1.9.16']]/entry /observation/value

**6.6.1.1.11.3 APGAR10 Value Sets**

10 Min Apgar Score (NCHS) [1.3.6.1.4.1.19376.1.7.3.1.1.13.8.13](#)

2865 **6.6.1.1.12 ATTENDN**

**6.6.1.1.12.1 ATTENDN Derivation Rule**

“ATTENDN” SHALL be populated using **\$ProviderName** WHERE **\$ProcedureCode** CONTAINS ValueSet (*Delivery (NCHS)*) WHERE the provider is the person responsible for delivering the child

2870 **6.6.1.1.12.2 ATTENDN LDS Source and Logic Variables**

Labor and Delivery Section

1.3.6.1.4.1.19376.1.5.3.1.1.21.2.3

Procedures and Interventions Section

1.3.6.1.4.1.19376.1.5.3.1.1.13.2.11

2875 Procedure Entry

1.3.6.1.4.1.19376.1.5.3.1.4.19

**\$ProviderName =**

2880 ClinicalDocument/component/structuredBody/component/section[templateId[@root='1.3.6.1.4.1.19376.1.5.3.1.1.21.2.3']]/component/section[templateId[@root='1.3.6.1.4.1.19376.1.5.3.1.1.13.2.11']]/ entry/procedure/performer/assignedEntity/assignedPerson/name

**\$ProcedureCode =**

ClinicalDocument/component/structuredBody/component/section[templateId[@root='1.3.6.1.4.1.19376.1.5.3.1.1.21.2.3']]/component/section[templateId[@root='1.3.6.1.4.1.19376.1.5.3.1.1.13.2.11']]/ entry/procedure/code

2885 **6.6.1.1.12.3 ATTENDN Value Sets**

Delivery (NCHS) [1.3.6.1.4.1.19376.1.7.3.1.1.13.8.14](#)

**6.6.1.1.13 ATTEND**

**6.6.1.1.13.1 ATTEND Derivation Rule**

2890 IF **\$ProcedureCode** CONTAINS ValueSet (*Delivery (NCHS)*), THEN IF **\$ProviderType**  
CONTAINS ValueSet (*Physician (NCHS)*), THEN “ATTEND” SHALL = “1”, ELSE IF  
**\$ProviderType** CONTAINS ValueSet (*Doctor of Osteopathic Medicine (NCHS)*), THEN  
“ATTEND” SHALL = “2”, ELSE IF **\$ProviderType** CONTAINS ValueSet (*Certified Midwife*  
*(NCHS)*), THEN “ATTEND” SHALL = “3”, ELSE IF **\$ProviderType** CONTAINS ValueSet  
*(Midwife (NCHS))*, THEN “ATTEND” SHALL = “4”, ELSE IF **\$ProviderType** NOT NULL  
2895 THEN “ATTEND” SHALL = “5”, ELSE “ATTEND” SHALL = “9”

**6.6.1.1.13.2 ATTEND LDS Source and Logic Variables**

Labor and Delivery Section

1.3.6.1.4.1.19376.1.5.3.1.1.21.2.3

Procedures and Interventions Section

2900 1.3.6.1.4.1.19376.1.5.3.1.1.13.2.11

Procedure Entry

1.3.6.1.4.1.19376.1.5.3.1.4.19

**\$ProcedureCode** =

2905 ClinicalDocument/component/structuredBody/component/section[templatedId[@root='1.3.6.1.4.1.19  
376.1.5.3.1.1.21.2.3']]/component/section[templatedId[@root='1.3.6.1.4.1.19376.1.5.3.1.1.13.2.11']]/  
entry/procedure/code

**\$ProviderType**

2910 ClinicalDocument/component/structuredBody/component/section[templatedId[@root='1.3.6.1.4.1.19  
376.1.5.3.1.1.21.2.3']]/component/section[templatedId[@root='1.3.6.1.4.1.19376.1.5.3.1.1.13.2.11']]/  
entry/procedure/performer/assignedEntity/code

**6.6.1.1.13.3 ATTEND Value Sets**

Physician (NCHS) [1.3.6.1.4.1.19376.1.7.3.1.1.13.8.15](#)

Doctor of Osteopathic Medicine (NCHS) [1.3.6.1.4.1.19376.1.7.3.1.1.13.8.16](#)

Certified Midwife (NCHS) [1.3.6.1.4.1.19376.1.7.3.1.1.13.8.17](#)

2915 Midwife (NCHS) [1.3.6.1.4.1.19376.1.7.3.1.1.13.8.18](#)

Delivery (NCHS) [1.3.6.1.4.1.19376.1.7.3.1.1.13.8.14](#)

#### 6.6.1.1.14 ATTENDS

##### 6.6.1.1.14.1 ATTENDS Derivation Rule

2920 IF **\$ProcedureCode** CONTAINS ValueSet (Delivery (NCHS)) AND “ATTEND” = “5”, THEN  
ATTENDS SHALL = **\$ProviderType**

##### 6.6.1.1.14.2 ATTENDS LDS Source and Logic Variables

Precondition: ATTEND

Labor and Delivery Section

1.3.6.1.4.1.19376.1.5.3.1.1.21.2.3

2925 Procedures and Interventions Section

1.3.6.1.4.1.19376.1.5.3.1.1.13.2.11

Procedure Entry

1.3.6.1.4.1.19376.1.5.3.1.4.19

**\$ProcedureCode** =

2930 ClinicalDocument/component/structuredBody/component/section[templated[@root='1.3.6.1.4.1.19376.1.5.3.1.1.21.2.3']]/component/section[templated[@root='1.3.6.1.4.1.19376.1.5.3.1.1.13.2.11']]/entry/procedure/code

**\$ProviderType**

2935 ClinicalDocument/component/structuredBody/component/section[templated[@root='1.3.6.1.4.1.19376.1.5.3.1.1.21.2.3']]/component/section[templated[@root='1.3.6.1.4.1.19376.1.5.3.1.1.13.2.11']]/entry/procedure/performer/assignedEntity/code

##### 6.6.1.1.14.3 ATTENDS Value Sets

Delivery (NCHS) [1.3.6.1.4.1.19376.1.7.3.1.1.13.8.14](#)

#### 6.6.1.1.15 NPI

2940 **6.6.1.1.15.1 NPI Derivation Rule**

“NPI” SHALL be populated using the **\$ProviderID** WHERE **\$ProcedureCode** CONTAINS ValueSet (*Delivery (NCHS)*) where the **\$ProviderID** is expressed as the National Provider Identifier (NPI)

##### 6.6.1.1.15.2 NPI LDS Source and Logic Variables

2945 Labor and Delivery Section

1.3.6.1.4.1.19376.1.5.3.1.1.21.2.3

Procedures and Interventions Section

1.3.6.1.4.1.19376.1.5.3.1.1.13.2.11

Procedure Entry

2950 1.3.6.1.4.1.19376.1.5.3.1.4.19

**\$ProcedureCode =**

ClinicalDocument/component/structuredBody/component/section[templateId[@root='1.3.6.1.4.1.19376.1.5.3.1.1.21.2.3']]/component/section[templateId[@root='1.3.6.1.4.1.19376.1.5.3.1.1.13.2.11']]/entry/procedure/code

2955 **\$ProviderID =**

ClinicalDocument/component/structuredBody/component/section[templateId[@root='1.3.6.1.4.1.19376.1.5.3.1.1.21.2.3']]/component/section[templateId[@root='1.3.6.1.4.1.19376.1.5.3.1.1.13.2.11']]/entry/procedure/performer/assignedEntity/id/@extension

**6.6.1.1.15.3 NPI Value Sets**

2960 Delivery (NCHS) [1.3.6.1.4.1.19376.1.7.3.1.1.13.8.14](#)

**6.6.1.1.16 BWG**

**6.6.1.1.16.1 BWG Derivation Rule**

IF **\$VitalSignsTypeCode** CONTAINS ValueSet (*Body Weight (NCHS)*)= WHERE **\$VitalSignsMethodCode** CONTAINS ValueSet (*Birth Weight (NCHS)*), THEN “BWG” SHALL = **\$VitalSignsResultValue** WHERE Result Value Units are expressed in grams

**6.6.1.1.16.2 BWG LDS Source and Logic Variables**

Newborn Delivery Information Section

1.3.6.1.4.1.19376.1.5.3.1.1.21.2.4

Coded Detailed Physical Examination Section

2970 1.3.6.1.4.1.19376.1.5.3.1.1.9.15.1

Coded Vital Signs Section

1.3.6.1.4.1.19376.1.5.3.1.1.5.3.2

Vital Signs Organizer

1.3.6.1.4.1.19376.1.5.3.1.4.13.1

2975 **\$VitalSignsTypeCode =**

ClinicalDocument/component/structuredBody/component/section[templateId[@root='1.3.6.1.4.1.19376.1.5.3.1.1.21.2.4']]/subject/relatedSubject/code[@code='NCHILD' AND id=idOfTheChild]/

component/section[templated[@root='1.3.6.1.4.1.19376.1.5.3.1.1.9.15.1']]/component/section[templated[@root='1.3.6.1.4.1.19376.1.5.3.1.1.5.3.2']]/entry/organizer/component /observation/code

2980 **\$VitalSignsMethodCode =**  
ClinicalDocument/component/structuredBody/component/section[templated[@root='1.3.6.1.4.1.19376.1.5.3.1.1.21.2.4']]/ subject/relatedSubject/code[@code='NCHILD' AND id=idOfTheChild]/ component/section[templated[@root='1.3.6.1.4.1.19376.1.5.3.1.1.9.15.1']]/component/section[templated[@root='1.3.6.1.4.1.19376.1.5.3.1.1.5.3.2']]/entry/organizer/component /observation/methodCode

2985 **\$VitalSignsResultValue =**  
ClinicalDocument/component/structuredBody/component/section[templated[@root='1.3.6.1.4.1.19376.1.5.3.1.1.21.2.4']]/ subject/relatedSubject/code[@code='NCHILD' AND id=idOfTheChild]/ component/section[templated[@root='1.3.6.1.4.1.19376.1.5.3.1.1.9.15.1']]/component/section[templated[@root='1.3.6.1.4.1.19376.1.5.3.1.1.5.3.2']]/entry/organizer/component /observation/value

2990

### 6.6.1.1.16.3 BWG Value Sets

Birth Weight (NCHS) [1.3.6.1.4.1.19376.1.7.3.1.1.13.8.20](#)

Body Weight (NCHS) [2.16.840.1.114222.4.11.7421](#)

### 6.6.1.1.17 BWO

#### 2995 6.6.1.1.17.1 BWO Derivation Rule

IF **\$VitalSignsTypeCode** CONTAINS ValueSet (*Body Weight (NCHS)*)WHERE **\$VitalSignsMethodCode** CONTAINS ValueSet (*Birth Weight (NCHS)*), THEN “BWG” SHALL = **\$VitalSignsResultValue** WHERE Result Value Units are expressed in ounces.

The preferred measure is in grams rather than ounces. Refer to BWG

#### 3000 6.6.1.1.17.2 BWO LDS Source and Logic Variables

Newborn Delivery Information Section

1.3.6.1.4.1.19376.1.5.3.1.1.21.2.4

Coded Detailed Physical Examination Section

1.3.6.1.4.1.19376.1.5.3.1.1.9.15.1

#### 3005 Coded Vital Signs Section

1.3.6.1.4.1.19376.1.5.3.1.1.5.3.2

Vital Signs Organizer

1.3.6.1.4.1.19376.1.5.3.1.4.13.1

**\$VitalSignsTypeCode =**

3010 ClinicalDocument/component/structuredBody/component/section[templatedId[@root='1.3.6.1.4.1.19376.1.5.3.1.1.21.2.4']]/ subject/relatedSubject/code[@code='NCHILD' AND id=idOfTheChild]/ component/section[templatedId[@root='1.3.6.1.4.1.19376.1.5.3.1.1.9.15.1']]/component/section[templatedId[@root='1.3.6.1.4.1.19376.1.5.3.1.1.5.3.2']]/entry/ organizer/component/observation/code

**\$VitalSignsMethodCode =**

3015 ClinicalDocument/component/structuredBody/component/section[templatedId[@root='1.3.6.1.4.1.19376.1.5.3.1.1.21.2.4']]/ subject/relatedSubject/code[@code='NCHILD' AND id=idOfTheChild]/ component/section[templatedId[@root='1.3.6.1.4.1.19376.1.5.3.1.1.9.15.1']]/component/section[templatedId[@root='1.3.6.1.4.1.19376.1.5.3.1.1.5.3.2']]/entry/ organizer/component/observation/methodCode

3020 **\$VitalSignsResultValue =**

ClinicalDocument/component/structuredBody/component/section[templatedId[@root='1.3.6.1.4.1.19376.1.5.3.1.1.21.2.4']]/ subject/relatedSubject/code[@code='NCHILD' AND id=idOfTheChild]/ component/section[templatedId[@root='1.3.6.1.4.1.19376.1.5.3.1.1.9.15.1']]/component/section[templatedId[@root='1.3.6.1.4.1.19376.1.5.3.1.1.5.3.2']]/entry/ organizer/component/observation/value

3025 **6.6.1.1.17.3 BWO Value Sets**

Birth Weight (NCHS) [1.3.6.1.4.1.19376.1.7.3.1.1.13.8.20](#)

**6.6.1.1.18 BWP**

**6.6.1.1.18.1 BWP Derivation Rule**

3030 IF **\$VitalSignsTypeCode** CONTAINS ValueSet (*Body Weight (NCHS)*)WHERE **\$VitalSignsMethodCode** CONTAINS ValueSet (*Birth Weight (NCHS)*), THEN “BWG” SHALL = **\$VitalSignsResultValue** WHERE Result Value Units are expressed in pounds.

The preferred measure is in grams rather than pounds. Refer to BWG

**6.6.1.1.18.2 BWP LDS Source and Logic Variables**

Newborn Delivery Information Section

3035 1.3.6.1.4.1.19376.1.5.3.1.1.21.2.4

Coded Detailed Physical Examination Section

1.3.6.1.4.1.19376.1.5.3.1.1.9.15.1

Coded Vital Signs Section

1.3.6.1.4.1.19376.1.5.3.1.1.5.3.2

3040 Vital Signs Organizer

1.3.6.1.4.1.19376.1.5.3.1.4.13.1

**\$VitalSignsTypeCode =**

3045 ClinicalDocument/component/structuredBody/component/section[templatedId[@root='1.3.6.1.4.1.19376.1.5.3.1.1.21.2.4']]/ subject/relatedSubject/code[@code='NCHILD' AND id=idOfTheChild]/ component/section[templatedId[@root='1.3.6.1.4.1.19376.1.5.3.1.1.9.15.1']]/component/section[templatedId[@root='1.3.6.1.4.1.19376.1.5.3.1.1.5.3.2']]/entry/organizer/component/observation/code

**\$VitalSignsMethodCode =**

3050 ClinicalDocument/component/structuredBody/component/section[templatedId[@root='1.3.6.1.4.1.19376.1.5.3.1.1.21.2.4']]/ subject/relatedSubject/code[@code='NCHILD' AND id=idOfTheChild]/ component/section[templatedId[@root='1.3.6.1.4.1.19376.1.5.3.1.1.9.15.1']]/component/section[templatedId[@root='1.3.6.1.4.1.19376.1.5.3.1.1.5.3.2']]/entry/organizer/component/observation/method Code

**\$VitalSignsResultValue =**

3055 ClinicalDocument/component/structuredBody/component/section[templatedId[@root='1.3.6.1.4.1.19376.1.5.3.1.1.21.2.4']]/ subject/relatedSubject/code[@code='NCHILD' AND id=idOfTheChild]/ component/section[templatedId[@root='1.3.6.1.4.1.19376.1.5.3.1.1.9.15.1']]/component/section[templatedId[@root='1.3.6.1.4.1.19376.1.5.3.1.1.5.3.2']]/entry/organizer/component/observation/value

**6.6.1.1.18.3 BWP Value Sets**

Birth Weight (NCHS) [1.3.6.1.4.1.19376.1.7.3.1.1.13.8.20](#)

3060 **6.6.1.1.19 ANTB**

**6.6.1.1.19.1 ANTB Derivation Rule**

3065 IF (**\$CodedProductName** CONTAINS ValueSet (*Antibiotics (NCHS)*)) AND (**\$Route** CONTAINS ValueSet (*IM Medication Administration Route (NCHS)*) OR ValueSet (*IV Medication Administration Route (NCHS)*)) AND (**\$AdministrationTime** >= **\$ProcedureStartTime** AND **\$AdministrationTime** <=**\$ProcedureEndTime**) WHERE **\$ProcedureCode** CONTAINS ValueSet (*Delivery (NCHS)*) THEN “ANTI” SHALL = “Y” ELSE “N”

**6.6.1.1.19.2 ANTB LDS Source and Logic Variables**

Medications Administered Section

3070 1.3.6.1.4.1.19376.1.5.3.1.3.21

Medication Entry

1.3.6.1.4.1.19376.1.5.3.1.4.7

**\$CodedProductName =**

3075 ClinicalDocument/component/structuredBody/component/section[templatedId[@root=1.3.6.1.4.1.19376.1.5.3.1.3.21]]/entry/substanceAdministration/consumable/manufacturedProduct/labeledDrug/code



**\$Route =**

ClinicalDocument/component/structuredBody/component/section[templateId[@root='1.3.6.1.4.1.19376.1.5.3.1.3.21']]/substanceAdministration /routeCode

3080 **\$AdministrationTime**

ClinicalDocument/component/structuredBody/component/section[templateId[@root='1.3.6.1.4.1.19376.1.5.3.1.3.21']]/substanceAdministration/effectiveTime/low

Labor and Delivery Section

1.3.6.1.4.1.19376.1.5.3.1.1.21.2.3

3085 **Procedures and Interventions Section**

1.3.6.1.4.1.19376.1.5.3.1.1.13.2.11

Procedure Entry

1.3.6.1.4.1.19376.1.5.3.1.4.19

**\$ProcedureCode =**

3090 ClinicalDocument/component/structuredBody/component/section[templateId[@root='1.3.6.1.4.1.19376.1.5.3.1.1.21.2.3']]/component/section[templateId[@root='1.3.6.1.4.1.19376.1.5.3.1.1.13.2.11']]/entry/procedure/code

**\$ProcedureStartTime =**

3095 ClinicalDocument/component/structuredBody/component/section[templateId[@root='1.3.6.1.4.1.19376.1.5.3.1.1.21.2.3']]/component/section[templateId[@root='1.3.6.1.4.1.19376.1.5.3.1.1.13.2.11']]/entry/effectiveTime/low

**\$ProcedureEndTime =**

3100 ClinicalDocument/component/structuredBody/component/section[templateId[@root='1.3.6.1.4.1.19376.1.5.3.1.1.21.2.3']]/component/section[templateId[@root='1.3.6.1.4.1.19376.1.5.3.1.1.13.2.11']]/entry/effectiveTime/high

**6.6.1.1.19.3 ANTB Value Sets**

Antibiotics (NCHS) [1.3.6.1.4.1.19376.1.7.3.1.1.13.8.3](#)

IV Medication Administration Route (NCHS) [1.3.6.1.4.1.19376.1.7.3.1.1.13.8.4](#)

IM Medication Administration Route (NCHS) [1.3.6.1.4.1.19376.1.7.3.1.1.13.8.5](#)

3105 Delivery (NCHS) [1.3.6.1.4.1.19376.1.7.3.1.1.13.8.14](#)

## 6.6.1.1.20 AUGL

### 6.6.1.1.20.1 AUGL Derivation Rule

3110 IF (**\$ProcedureCode** CONTAINS ValueSet (*Augmentation of Labor - Procedure (NCHS)*) OR  
(**\$CodedProductName** CONTAINS (*Augmentation of Labor - Medication (NCHS)*)), THEN  
“AUGL” SHALL =“Y” ELSE “N”

### 6.6.1.1.20.2 AUGL LDS Source and Logic Variables

Labor and Delivery Section

1.3.6.1.4.1.19376.1.5.3.1.1.21.2.3

Procedures and Interventions Section

3115 1.3.6.1.4.1.19376.1.5.3.1.1.13.2.11

Procedure Entry

1.3.6.1.4.1.19376.1.5.3.1.4.19

**\$ProcedureCode** =

3120 ClinicalDocument/component/structuredBody/component/section[templatedId[@root='1.3.6.1.4.1.19376.1.5.3.1.1.21.2.3']]/component/section[templatedId[@root='1.3.6.1.4.1.19376.1.5.3.1.1.13.2.11']]/entry/procedure/code

Medications Administered Section

1.3.6.1.4.1.19376.1.5.3.1.3.21

Medication Entry

3125 1.3.6.1.4.1.19376.1.5.3.1.4.7

**\$CodedProductName** =

ClinicalDocument/component/structuredBody/component/section[templatedId[@root='1.3.6.1.4.1.19376.1.5.3.1.3.21']]/entry/substanceAdministration/consumable/manufacturedProduct/labeledDrug/code

### 3130 6.6.1.1.20.3 AUGL Value Sets

Augmentation of Labor - Procedure (NCHS) [1.3.6.1.4.1.19376.1.7.3.1.1.13.8.22](#)

Augmentation of Labor - Medication (NCHS) [1.3.6.1.4.1.19376.1.7.3.1.1.13.8.23](#)

### 6.6.1.1.21 CHOR

#### 6.6.1.1.21.1 CHOR Derivation Rule

3135 IF (**\$ProblemCode** CONTAINS ValueSet ((*Chorioamnionitis During Labor (NCHS)*) OR (*Fever Greater Than 100.4 (NCHS)*)) THEN “CHOR” SHALL = “Y” ELSE “N”

#### 6.6.1.1.21.2 CHOR LDS Source and Logic Variables

Labor and Delivery Section

1.3.6.1.4.1.19376.1.5.3.1.1.21.2.3

3140 Active Problems Section

1.3.6.1.4.1.19376.1.5.3.1.3.6

Problem Concern Entry

1.3.6.1.4.1.19376.1.5.3.1.4.5.2

#### **\$ProblemCode**

3145 ClinicalDocument/component/structuredBody/component/section[templated[@root='1.3.6.1.4.1.19376.1.5.3.1.3.6']]/entry/act/entryRelationship/observation/value

#### 6.6.1.1.21.3 CHOR Value Sets

Chorioamnionitis During Labor (NCHS) [1.3.6.1.4.1.19376.1.7.3.1.1.13.8.24](#)

Fever Greater Than 100.4 (NCHS) [1.3.6.1.4.1.19376.1.7.3.1.1.13.8.25](#)

3150 **6.6.1.1.22 ESAN**

#### 6.6.1.1.22.1 ESAN Derivation Rule

3155 IF (**\$CodedProductName** CONTAINS ValueSet (Epidural Anesthesia - Medication (NCHS)) OR ValueSet (Spinal Anesthesia – Medication (NCHS)) OR (**\$ProcedureCode** CONTAINS (Epidural Anesthesia - Procedure (NCHS)) OR (Spinal Anesthesia - Procedure (NCHS)))) THEN “ESAN” SHALL be “Y” ELSE “N”

#### 6.6.1.1.22.2 ESAN LDS Source and Logic Variables

Labor and Delivery Section

1.3.6.1.4.1.19376.1.5.3.1.1.21.2.3

Procedures and Interventions Section

3160 1.3.6.1.4.1.19376.1.5.3.1.1.13.2.11

Procedure Entry

1.3.6.1.4.1.19376.1.5.3.1.4.19

**\$ProcedureCode =**

3165 ClinicalDocument/component/structuredBody/component/section[templated[@root='1.3.6.1.4.1.19376.1.5.3.1.1.21.2.3']]/component/section[templated[@root='1.3.6.1.4.1.19376.1.5.3.1.1.13.2.11']]/entry/procedure/code

Medications Administered Section

1.3.6.1.4.1.19376.1.5.3.1.3.21

Medication Entry

3170 1.3.6.1.4.1.19376.1.5.3.1.4.7

**\$CodedProductName =**

ClinicalDocument/component/structuredBody/component/section[templated[@root='1.3.6.1.4.1.19376.1.5.3.1.3.21']]/entry/substanceAdministration/consumable/manufacturedProduct/labeledDrug/code

3175 **6.6.1.1.22.3 ESAN Value Sets**

Epidural Anesthesia - Procedure (NCHS) [1.3.6.1.4.1.19376.1.7.3.1.1.13.8.27](#)

Spinal Anesthesia - Procedure (NCHS) [1.3.6.1.4.1.19376.1.7.3.1.1.13.8.29](#)

Epidural Anesthesia - Medication (NCHS) [1.3.6.1.4.1.19376.1.7.3.1.1.13.8.26](#)

Spinal Anesthesia – Medication (NCHS) [1.3.6.1.4.1.19376.1.7.3.1.1.13.8.28](#)

3180 **6.6.1.1.23 INDL**

**6.6.1.1.23.1 INDL Derivation Rule**

IF (Labor and Delivery Summary Labor and Delivery Procedures and Interventions

Procedure Code CONTAINS ValueSet (Induction of Labor (NCHS)) THEN “INDL” SHALL = “Y” ELSE “N”

3185 **6.6.1.1.23.2 INDL LDS Source and Logic Variables**

Labor and Delivery Section

1.3.6.1.4.1.19376.1.5.3.1.1.21.2.3

Procedures and Interventions Section

1.3.6.1.4.1.19376.1.5.3.1.1.13.2.11

3190 Procedure Entry

1.3.6.1.4.1.19376.1.5.3.1.4.19

**\$ProcedureCode =**

3195 ClinicalDocument/component/structuredBody/component/section[templated[@root='1.3.6.1.4.1.19376.1.5.3.1.1.21.2.3']]/component/section[templated[@root='1.3.6.1.4.1.19376.1.5.3.1.1.13.2.11']]/entry/procedure/code

#### **6.6.1.1.23.3 INDL Value Sets**

Induction of Labor (NCHS) [1.3.6.1.4.1.19376.1.7.3.1.1.13.8.34](#)

#### **6.6.1.1.24 STER**

##### **6.6.1.1.24.1 STER Derivation Rule**

3200 IF (\$ProcedureCode CONTAINS ValueSet (*Steroids For Fetal Lung Maturation (NCHS)*)) THEN “STER” SHALL =“Y”ELSE “N”

##### **6.6.1.1.24.2 STER LDS Source and Logic Variables**

Labor and Delivery Section

1.3.6.1.4.1.19376.1.5.3.1.1.21.2.3

3205 Procedures and Interventions Section

1.3.6.1.4.1.19376.1.5.3.1.1.13.2.11

Procedure Entry

1.3.6.1.4.1.19376.1.5.3.1.4.19

**\$ProcedureCode =**

3210 ClinicalDocument/component/structuredBody/component/section[templated[@root='1.3.6.1.4.1.19376.1.5.3.1.1.21.2.3']]/component/section[templated[@root='1.3.6.1.4.1.19376.1.5.3.1.1.13.2.11']]/entry/procedure/code

##### **6.6.1.1.24.3 STER Value Sets**

Steroids For Fetal Lung Maturation (NCHS) [2.16.840.1.114222.4.11.7425](#)

3215 Delivery (NCHS) [1.3.6.1.4.1.19376.1.7.3.1.1.13.8.14](#)

#### **6.6.1.1.25 NOA04**

##### **6.6.1.1.25.1 NOA04 Derivation Rule**

This SHALL require data entry and SHALL NOT be a result of a default from the other attributes in the list

3220 **6.6.1.1.25.2 NOA04 LDS Source and Logic Variables**

NA

### 6.6.1.1.25.3 NOA04 Value Sets

NA

### 6.6.1.1.26 DNA04

#### 3225 6.6.1.1.26.1 DNA04 Derivation Rule

IF ((INDL = “U”) OR (AUGL = “U”) OR (NVPR = “U”) OR (STER = “U”) OR (ANTB = “U”) OR (CHOR = “U”) OR (ESAN = “U”)), THEN “DNA04” SHALL = “1” ELSE “DNA04” SHALL = “0”

#### 6.6.1.1.26.2 DNA04 LDS Source and Logic Variables

3230 Precondition: INDL, AUGL, NVPR, STER, ANTB, CHOR, ESAN

### 6.6.1.1.26.3 DNA04 Value Sets

NA

### 6.6.1.1.27 IDOB\_YR

#### 6.6.1.1.27.1 IDOB\_YR Derivation Rule

3235 “IDOB\_YR” SHALL be populated using the Year part of **\$BirthTime** WHERE the Year is represented using 4-digits

#### 6.6.1.1.27.2 IDOB\_YR LDS Source and Logic Variables

3240 **\$BirthTime**  
ClinicalDocument/component/structuredBody/component/section/templatedId[@root='1.3.6.1.4.1.19376.1.5.3.1.1.21.2.4']/subject/relatedSubject/code[@code='NCHILD' AND id=idOfTheChild]/subject/birthTime

#### 6.6.1.1.27.3 IDOB\_YR Value Sets

NA

### 6.6.1.1.28 IDOB\_MO

#### 6.6.1.1.28.1 IDOB\_MO Derivation Rule

3245 “IDOB\_MO” SHALL be populated using the Year part of **\$BirthTime** WHERE the Month is represented using 2-digits

#### 6.6.1.1.28.2 IDOB\_MO LDS Source and Logic Variables

Labor and Delivery Summary Header

**\$BirthTime**

3250 ClinicalDocument/component/structuredBody/component/section/templatedId[@root='1.3.6.1.4.1.19376.1.5.3.1.1.21.2.4']/subject/relatedSubject[code[@code='NCHILD' AND id=idOfTheChild]]/subject/birthTime

**6.6.1.1.28.3 IDOB\_MO Value Sets**

NA

3255 **6.6.1.1.29 IDOB\_DY**

**6.6.1.1.29.1 IDOB\_DY Derivation Rule**

“IDOB\_DY” SHALL be populated using the Year part of **\$BirthTime** WHERE the Day is represented using 2-digits

**6.6.1.1.29.2 IDOB\_DY LDS Source and Logic Variables**

3260 \$BirthTime  
ClinicalDocument/component/structuredBody/component/section/templatedId[@root='1.3.6.1.4.1.19376.1.5.3.1.1.21.2.4']/ subject/relatedSubject/code[@code='NCHILD' AND id=idOfTheChild]/subject/birthTime

**6.6.1.1.29.3 IDOB\_DY Value Sets**

NA

3265 **6.6.1.1.30 KIDFNAME**

**6.6.1.1.30.1 KIDFNAME Derivation Rule**

“KIDFNAME” SHALL be populated using the First Name part of **\$ChildName**

**6.6.1.1.30.2 KIDFNAME LDS Source and Logic Variables**

**\$ChildName =**

3270 ClinicalDocument/component/structuredBody/component/section/templatedId[@root='1.3.6.1.4.1.19376.1.5.3.1.1.21.2.4']/ subject/relatedSubject/code[@code='NCHILD' AND id=idOfTheChild]/ subject/name/given[1]

**6.6.1.1.30.3 KIDFNAME Value Sets**

NA

**6.6.1.1.31 KIDMNAME**

3275 **6.6.1.1.31.1 KIDMNAME Derivation Rule**

“KIDMNAME” SHALL be populated using the Middle Name part of **\$ChildName**.

#### **6.6.1.1.31.2 KIDMNAME LDS Source and Logic Variables**

\$ChildName =

3280 ClinicalDocument/component/structuredBody/component/section/templatedId[@root='1.3.6.1.4.1.19376.1.5.3.1.1.21.2.4']/ subject/relatedSubject/code[@code='NCHILD' AND id=idOfTheChild]/ subject/name/given[2]

#### **6.6.1.1.31.3 KIDMNAME Value Sets**

NA

#### **6.6.1.1.32 KIDLNAME**

##### **6.6.1.1.32.1 KIDLNAME Derivation Rule**

3285 “KIDLNAME” SHALL be populated using the Last Name part of \$ChildName.

##### **6.6.1.1.32.2 KIDLNAME LDS Source and Logic Variables**

\$ChildName =

ClinicalDocument/component/structuredBody/component/section/templatedId[@root='1.3.6.1.4.1.19376.1.5.3.1.1.21.2.4']/ subject/relatedSubject/code[@code='NCHILD' AND id=idOfTheChild]/subject/name/family

##### **6.6.1.1.32.3 KIDLNAME Value Sets**

3290 NA

#### **6.6.1.1.33 KIDSUFFIX**

##### **6.6.1.1.33.1 KIDSUFFIX Derivation Rule**

“KIDSUFFIX” SHALL be populated using the Suffix part of \$ChildName.

##### **6.6.1.1.33.2 KIDSUFFIX LDS Source and Logic Variables**

\$ChildName =

3295 ClinicalDocument/component/structuredBody/component/section/templatedId[@root='1.3.6.1.4.1.19376.1.5.3.1.1.21.2.4']/ subject/relatedSubject/code[@code='NCHILD' AND id=idOfTheChild]/ subject/name/suffix

##### **6.6.1.1.33.3 KIDSUFFIX Value Sets**

3300 NA

#### **6.6.1.1.34 BFED**

##### **6.6.1.1.34.1 BFED Derivation Rule**

IF \$ProblemCode CONTAINS ValueSet (*Breastfed Infant (NCHS)*) THEN BFED SHALL be “Y”.



3305 **6.6.1.1.34.2 BFED LDS Source and Logic Variables**

Newborn Delivery Information Section

1.3.6.1.4.1.19376.1.5.3.1.1.21.2.4

Active Problems Section

1.3.6.1.4.1.19376.1.5.3.1.3.6

3310 Problem Concern Entry

1.3.6.1.4.1.19376.1.5.3.1.4.5.2

**\$ProblemCode =**

3315 ClinicalDocument/component/structuredBody/component/section[templateId[@root='1.3.6.1.4.1.19376.1.5.3.1.1.21.2.4']]/ subject/relatedSubject/code[@code='NCHILD' AND id=idOfTheChild]/ component/section[templateId[@root='1.3.6.1.4.1.19376.1.5.3.1.3.6']]/entry/act/entryRelationship/observation/value

**6.6.1.1.34.3 BFED Value Sets**

Breastfed Infant (NCHS) [1.3.6.1.4.1.19376.1.7.3.1.1.13.8.41](#)

**6.6.1.1.35 ILIV**

3320 **6.6.1.1.35.1 ILIV Derivation Rule**

IF NOT **\$EventOutcomesObservationCode** CONTAINS ValueSet(*Neonatal Death (NCHS)*) THEN “ILIV” SHALL = ‘Y’ ELSE ‘N’

**6.6.1.1.35.2 ILIV LDS Source and Logic Variables**

Newborn Delivery Information Section

3325 1.3.6.1.4.1.19376.1.5.3.1.1.21.2.4

Coded Event Outcomes Section

1.3.6.1.4.1.19376.1.7.3.1.1.13.7

Problem Observation Entry

1.3.6.1.4.1.19376.1.5.3.1.4.5

3330 **\$EventOutcomesObservationCode =**

ClinicalDocument/component/structuredBody/component/section[templateId[@root='1.3.6.1.4.1.19376.1.5.3.1.1.21.2.4']]/ subject/relatedSubject/code[@code='NCHILD' AND id=idOfTheChild]/ component/section[templateId[@root='1.3.6.1.4.1.19376.1.7.3.1.1.13.7']]/entry/ /observation/value

### 6.6.1.1.35.3 ILIV Value Sets

3335 Neonatal Death (NCHS) [1.3.6.1.4.1.19376.1.7.3.1.1.13.8.149](#)

### 6.6.1.1.36 IRECNUM

#### 6.6.1.1.36.1 IRECNUM Derivation Rule

“IRECNUM” SHALL = \$BabyMedRecNum

#### 6.6.1.1.36.2 IRECNUM LDS Source and Logic Variables

3340 Labor and Delivery Summary Header

**\$BabyMedRecNum**

ClinicalDocument/component/structuredBody/component/section/templatedId[@root='1.3.6.1.4.1.19376.1.5.3.1.1.21.2.4']/subject/relatedSubject[code[@code='NCHILD' AND id=idOfTheChild]]/sdctc:id

3345 **6.6.1.1.36.3 IRECNUM Value Sets**

NA

### 6.6.1.1.37 ISEX

#### 6.6.1.1.37.1 ISEX Derivation Rule

3350 IF \$Gender CONTAINS ValueSet(*Male Gender (NCHS)*) THEN “ISEX” SHALL =’M’ ELSE  
IF \$Gender CONTAINS ValueSet(*Female Gender (NCHS)*) THEN “ISEX” SHALL =’F’  
ELSE THEN “ISEX” SHALL =’N’

#### 6.6.1.1.37.2 ISEX LDS Source and Logic Variables

Labor and Delivery Summary Header

**\$Gender**

3355 ClinicalDocument/component/structuredBody/component/section[templatedId[@root='2.16.840.1.113883.10.20.1.21']]subject/relatedSubject/code[@code='NCHILD' AND id=idOfTheChild]/administrativeGenderCode

#### 6.6.1.1.37.3 ISEX Value Sets

Male Gender (NCHS) [1.3.6.1.4.1.19376.1.7.3.1.1.13.8.42](#)

3360 Female Gender (NCHS) [1.3.6.1.4.1.19376.1.7.3.1.1.13.8.43](#)

### 6.6.1.1.38 ITRAN

#### 6.6.1.1.38.1 ITRAN Derivation Rule

3365 **\$EventOutcomesObservationCode** CONTAINS ValueSet (*Transfer to (NCHS)*) and (Coded **\$EventOutcomesTransferTime** – **\$BirthTime**) <= 24 hours THEN ITRAN SHALL = “Y”  
ELSE ITRAN SHALL = “N”

#### 6.6.1.1.38.2 ITRAN LDS Source and Logic Variables

Newborn Delivery Information Section

1.3.6.1.4.1.19376.1.5.3.1.1.21.2.4

Coded Event Outcomes Section

3370 1.3.6.1.4.1.19376.1.7.3.1.1.13.7

Patient Transfer Entry

1.3.6.1.4.1.19376.1.5.3.1.1.25.1.4.1

**\$EventOutcomesObservationCode** =

3375 ClinicalDocument/component/structuredBody/component/section[templatedId[@root='1.3.6.1.4.1.19376.1.5.3.1.1.21.2.4']]/component/section[templatedId[@root='1.3.6.1.4.1.19376.1.7.3.1.1.13.7']]/component/section[templatedId[@root='1.3.6.1.4.1.19376.1.5.3.1.1.25.1.4.1']]/entry/act/participant[typeCode='DST']/participantRole[@typecode='SDLOC']/code

**\$EventOutcomesTransferTime** =

3380 ClinicalDocument/component/structuredBody/component/section[templatedId[@root='1.3.6.1.4.1.19376.1.5.3.1.1.21.2.4']]/component/section[templatedId[@root='1.3.6.1.4.1.19376.1.7.3.1.1.13.7']]/component/section[templatedId[@root='1.3.6.1.4.1.19376.1.5.3.1.1.25.1.4.1']]/entry/act/effectiveTime[high]

Labor and Delivery Summary Header

**\$BirthTime** =

3385 /ClinicalDocument/component/structuredBody/component/section/templatedId[@root='1.3.6.1.4.1.19376.1.5.3.1.1.21.2.4']/subject/relatedSubject/code[@code='NCHILD' AND id=idOfTheChild]/subject/birthTime

#### 6.6.1.1.38.3 ITRAN Value Sets

Transfer to (NCHS) [1.3.6.1.4.1.19376.1.7.3.1.1.13.8.190](https://www.hl7.org/fhir/terminology/1.3.6.1.4.1.19376.1.7.3.1.1.13.8.190)

3390 **6.6.1.1.39 FTRAN**

**6.6.1.1.39.1 FTRAN Derivation Rule**

IF **\$EventOutcomesObservationCode** CONTAINS ValueSet (*Institution Referred to (NCHS)*) and (**\$EventOutcomesTransferTime** – **\$BirthTime**) <= 24 hours THEN FTRAN SHALL = **\$EventOutcomesObservationValue**

3395 **6.6.1.1.39.2 FTRAN LDS Source and Logic Variables**

Newborn Delivery Information Section

1.3.6.1.4.1.19376.1.5.3.1.1.21.2.4

Coded Event Outcomes Section

1.3.6.1.4.1.19376.1.7.3.1.1.13.7

3400 Patient Transfer Entry

1.3.6.1.4.1.19376.1.5.3.1.1.25.1.4.1

**\$EventOutcomesObservationCode** =

3405 ClinicalDocument/component/structuredBody/component/section[templatedId[@root='1.3.6.1.4.1.19376.1.5.3.1.1.21.2.3']]/component/section[templatedId[@root='1.3.6.1.4.1.19376.1.7.3.1.1.13.7']]/component/section[templatedId[@root='1.3.6.1.4.1.19376.1.5.3.1.1.25.1.4.1']]/entry/act/entryRelationship/observation/code

Newborn Delivery Information Section

1.3.6.1.4.1.19376.1.5.3.1.1.21.2.4

Coded Event Outcomes Section

3410 1.3.6.1.4.1.19376.1.7.3.1.1.13.7

Patient Transfer Entry

1.3.6.1.4.1.19376.1.5.3.1.1.25.1.4.1

**\$EventOutcomesObservationValue** =

3415 ClinicalDocument/component/structuredBody/component/section[templatedId[@root='1.3.6.1.4.1.19376.1.5.3.1.1.21.2.3']]/component/section[templatedId[@root='1.3.6.1.4.1.19376.1.7.3.1.1.13.7']]/component/section[templatedId[@root='1.3.6.1.4.1.19376.1.5.3.1.1.25.1.4.1']]/entry/act/entryRelationship/observation/value

**\$EventOutcomesTransferTime** =

3420 ClinicalDocument/component/structuredBody/component/section[templatedId[@root='1.3.6.1.4.1.19376.1.5.3.1.1.21.2.4']]/component/section[templatedId[@root='1.3.6.1.4.1.19376.1.7.3.1.1.13.7']]/component/section[templatedId[@root='1.3.6.1.4.1.19376.1.5.3.1.1.25.1.4.1']]/entry/act/entryRelationship/observation/effectiveTime[high]

Labor and Delivery Summary Header

**\$BirthTime =**

3425 /ClinicalDocument/component/structuredBody/component/section/templateId[@root='1.3.6.1.4.1.19376.1.5.3.1.1.21.2.4']/subject/relatedSubject/code[@code='NCHILD' AND id=idOfTheChild]/subject/birthTime

**6.6.1.1.39.3 FTRAN Value Sets**

Institution Referred to (NCHS) [1.3.6.1.4.1.19376.1.7.3.1.1.13.8.191](#)

3430 **6.6.1.1.40 TB**

**6.6.1.1.40.1 TB Derivation Rule**

“TB” SHALL = Time part of **\$BirthTime**

**6.6.1.1.40.2 TB LDS Source and Logic Variables**

Labor and Delivery Summary Header

3435 **\$BirthTime =**

/ClinicalDocument/component/structuredBody/component/section/templateId[@root='1.3.6.1.4.1.19376.1.5.3.1.1.21.2.4']/subject/relatedSubject/code[@code='NCHILD' AND id=idOfTheChild]/subject/birthTime

**6.6.1.1.40.3 TB Value Sets**

3440 NA

**6.6.1.1.41 ANEN**

**6.6.1.1.41.1 ANEN Derivation Rule**

IF (**\$NervousSystemObservationCode** CONTAINS ValueSet (*Anencephaly of the Newborn (NCHS)*) THEN “ANEN” SHALL = “Y” ELSE

3445 **6.6.1.1.41.2 ANEN LDS Source and Logic Variables**

Newborn Delivery Information Section

1.3.6.1.4.1.19376.1.5.3.1.1.21.2.4

Coded Detailed Physical Examination Section

1.3.6.1.4.1.19376.1.5.3.1.1.9.15.1

3450 Nervous System1.3.6.1.4.1.19376.1.5.3.1.1.9.35

**\$NervousSystemObservationCode =**

3455 ClinicalDocument/component/structuredBody/component/section[templated[@root='1.3.6.1.4.1.19376.1.5.3.1.1.21.2.4']]/ subject/relatedSubject/code[@code='NCHILD' AND id=idOfTheChild]/ component/section[templated[@root='1.3.6.1.4.1.19376.1.5.3.1.1.9.15.1']]/component/section[templated[@root='1.3.6.1.4.1.19376.1.5.3.1.1.9.35']]/entry/act/entryRelationship/observation/code

#### **6.6.1.1.41.3 ANTI Value Sets**

Anencephaly of the Newborn (NCHS)      [1.3.6.1.4.1.19376.1.7.3.1.1.13.8.53](#)

#### **6.6.1.1.42 CCHD**

##### **6.6.1.1.42.1 CCHD Derivation Rule**

3460 IF (**\$HeartSystemObservationCode** CONTAINS ValueSet (*Cyanotic Congenital Heart Disease (NCHS)*)) THEN “CCHD” SHALL = “Y” ELSE “N”.

##### **6.6.1.1.42.2 CCHD LDS Source and Logic Variables**

Newborn Delivery Information Section

1.3.6.1.4.1.19376.1.5.3.1.1.21.2.4

3465 Coded Detailed Physical Examination Section

1.3.6.1.4.1.19376.1.5.3.1.1.9.15.1

Heart System

1.3.6.1.4.1.19376.1.5.3.1.1.9.29

**\$HeartSystemObservationCode** =

3470 ClinicalDocument/component/structuredBody/component/section[templated[@root='1.3.6.1.4.1.19376.1.5.3.1.1.21.2.4']]/ subject/relatedSubject/code[@code='NCHILD' AND id=idOfTheChild]/ component/section[templated[@root='1.3.6.1.4.1.19376.1.5.3.1.1.9.15.1']]/component/section[templated[@root='1.3.6.1.4.1.19376.1.5.3.1.1.9.29']]/entry/act/entryRelationship/observation/code

##### **6.6.1.1.42.3 CCHD Value Sets**

3475 Cyanotic Congenital Heart Disease (NCHS)      [1.3.6.1.4.1.19376.1.7.3.1.1.13.8.54](#)

#### **6.6.1.1.43 CDH**

##### **6.6.1.1.43.1 CDH Derivation Rule**

If (**\$GeneralAppearanceObservationCode** CONTAINS ValueSet (*Congenital Diaphragmatic Hernia (NCHS)*)) THEN “CDH” SHALL = “Y” ELSE “N”.

3480 **6.6.1.1.43.2 CDH LDS Source and Logic Variables**

Newborn Delivery Information Section

1.3.6.1.4.1.19376.1.5.3.1.1.21.2.4

Coded Detailed Physical Examination Section

1.3.6.1.4.1.19376.1.5.3.1.1.9.15.1

3485 General Appearance Section

1.3.6.1.4.1.19376.1.5.3.1.1.9.16

**\$GeneralAppearanceObservationCode =**

3490 ClinicalDocument/component/structuredBody/component/section[templated[@root='1.3.6.1.4.1.19376.1.5.3.1.1.21.2.4']]/ subject/relatedSubject/code[@code='NCHILD' AND id=idOfTheChild]/ component/section[templated[@root='1.3.6.1.4.1.19376.1.5.3.1.1.9.15.1']]/component/section[templated[@root='1.3.6.1.4.1.19376.1.5.3.1.1.9.16']]/entry/act/entryRelationship/observation/code

### 6.6.1.1.43.3 CDH Value Sets

Congenital Diaphragmatic Hernia (NCHS) [1.3.6.1.4.1.19376.1.7.3.1.1.13.8.55](#)

### 6.6.1.1.44 CDIC

3495 **6.6.1.1.44.1 CDIC Derivation Rule**

If ((\$GeneralAppearanceObservationCode CONTAINS ValueSet (*Karyotype Confirmed (NCHS)*)) AND ((\$GeneralAppearanceObservationCode Code CONTAINS ValueSet(*Suspected Chromosomal Disorder (NCHS)*))) THEN “CDIC” **SHALL** = “Y” ELSE “N”.

3500 **6.6.1.1.44.2 CDIC LDS Source and Logic Variables**

Newborn Delivery Information Section

1.3.6.1.4.1.19376.1.5.3.1.1.21.2.4

Coded Detailed Physical Examination Section

1.3.6.1.4.1.19376.1.5.3.1.1.9.15.1

3505 General Appearance Section

1.3.6.1.4.1.19376.1.5.3.1.1.9.16

**\$GeneralAppearanceObservationCode =**

3510 ClinicalDocument/component/structuredBody/component/section[templated[@root='1.3.6.1.4.1.19376.1.5.3.1.1.21.2.4']]/ subject/relatedSubject/code[@code='NCHILD' AND id=idOfTheChild]/ component/section[templated[@root='1.3.6.1.4.1.19376.1.5.3.1.1.9.15.1']]/component/section[templated[@root='1.3.6.1.4.1.19376.1.5.3.1.1.9.16']]/entry/act/entryRelationship/observation/code

### 6.6.1.1.44.3 CDIC Value Sets

Suspected Chromosomal Disorder (NCHS) [1.3.6.1.4.1.19376.1.7.3.1.1.13.8.57](#)

### 6.6.1.1.45 CDIS

#### 3515 6.6.1.1.45.1 CDIS Derivation Rule

IF (NOT(**\$GeneralAppearanceObservationCode** CONTAINS ValueSet (*Karyotype Confirmed (NCHS)*)) AND (**\$GeneralAppearanceObservationCode** Code CONTAINS ValueSet (*Suspected Chromosomal Disorder (NCHS)*))) THEN “CDIS” SHALL = “Y” ELSE “N”

#### 3520 6.6.1.1.45.2 CDIS LDS Source and Logic Variables

Newborn Delivery Information Section

1.3.6.1.4.1.19376.1.5.3.1.1.21.2.4

Coded Detailed Physical Examination Section

1.3.6.1.4.1.19376.1.5.3.1.1.9.15.1

#### 3525 General Appearance Section

1.3.6.1.4.1.19376.1.5.3.1.1.9.16

**\$GeneralAppearanceObservationCode** =

3530 ClinicalDocument/component/structuredBody/component/section[templatedId[@root='1.3.6.1.4.1.19376.1.5.3.1.1.21.2.4']]/subject/relatedSubject/code[@code='NCHILD' AND id=idOfTheChild]/component/section[templatedId[@root='1.3.6.1.4.1.19376.1.5.3.1.1.9.15.1']]/component/section[templatedId[@root='1.3.6.1.4.1.19376.1.5.3.1.1.9.16']]/entry/act/entryRelationship/observation/code

### 6.6.1.1.45.3 CDIS Value Sets

Karyotype Confirmed (NCHS) [1.3.6.1.4.1.19376.1.7.3.1.1.13.8.56](#)

Suspected Chromosomal Disorder (NCHS) [1.3.6.1.4.1.19376.1.7.3.1.1.13.8.57](#)

#### 3535 6.6.1.1.46 CDIP

##### 6.6.1.1.46.1 CDIP Derivation Rule

3540 If (**\$GeneralAppearanceObservationCode** CONTAINS ValueSet (*Suspected Chromosomal Disorder (NCHS)*) AND (**\$ProcedureCode** Contains (*Karyotype Determination (NCHS)*) AND act classCode='ACT' moodCode='INT') AND (NOT **\$CodedResultCode** (*Karyotype Result (NCHS)*))) THEN “CDIP” SHALL = “Y” ELSE “N”.

##### 6.6.1.1.46.2 CDIP LDS Source and Logic Variables

Newborn Delivery Information Section



1.3.6.1.4.1.19376.1.5.3.1.1.21.2.4

Coded Detailed Physical Examination Section

3545 1.3.6.1.4.1.19376.1.5.3.1.1.9.15.1

General Appearance Section

1.3.6.1.4.1.19376.1.5.3.1.1.9.16

**\$GeneralAppearanceObservationCode =**

3550 ClinicalDocument/component/structuredBody/component/section[templatedId[@root='1.3.6.1.4.1.19376.1.5.3.1.1.21.2.4']]/ subject/relatedSubject/code[@code='NCHILD' AND id=idOfTheChild]/ component/section[templatedId[@root='1.3.6.1.4.1.19376.1.5.3.1.1.9.15.1']]/component/section[templatedId[@root='1.3.6.1.4.1.19376.1.5.3.1.1.9.16']]/entry/act/entryRelationship/observation/code

Newborn Delivery Information Section

1.3.6.1.4.1.19376.1.5.3.1.1.21.2.4

3555 Procedures and Interventions Section

1.3.6.1.4.1.19376.1.5.3.1.1.13.2.11

Procedure Entry

1.3.6.1.4.1.19376.1.5.3.1.4.19

**\$ProcedureCode =**

3560 ClinicalDocument/component/structuredBody/component/section[templatedId[@root='1.3.6.1.4.1.19376.1.5.3.1.1.21.2.4']]/ subject/relatedSubject/code[@code='NCHILD' AND id=idOfTheChild]/ component/section[templatedId[@root='1.3.6.1.4.1.19376.1.5.3.1.1.13.2.11']]/entry/procedure/code

Newborn Delivery Information Section

1.3.6.1.4.1.19376.1.5.3.1.1.21.2.4

3565 Coded Results Section

1.3.6.1.4.1.19376.1.5.3.1.3.28

Simple Observation Entry

1.3.6.1.4.1.19376.1.5.3.1.4.13

**\$CodedResultCode =**

3570 ClinicalDocument/component/structuredBody/component/section[templatedId[@root='1.3.6.1.4.1.19376.1.5.3.1.1.21.2.4'] AND subject/relatedSubject[code[@code='NCHILD' AND id=idOfTheChild]]]/component/section[templatedId[@root='1.3.6.1.4.1.19376.1.7.3.1.1.13.7']]/entry[templatedId[@root='1.3.6.1.4.1.19376.1.5.3.1.4.13']]/observation/code

### 6.6.1.1.46.3 CDIP Value Sets

- 3575 Suspected Chromosomal Disorder (NCHS) [1.3.6.1.4.1.19376.1.7.3.1.1.13.8.57](#)  
Karyotype Determination (NCHS) [1.3.6.1.4.1.19376.1.7.3.1.1.13.8.154](#)  
Karyotype Result (NCHS) [1.3.6.1.4.1.19376.1.7.3.1.1.13.8.59](#)

### 6.6.1.1.47 CL

#### 6.6.1.1.47.1 CL Derivation Rule

- 3580 IF (**\$GeneralAppearanceObservationCode** CONTAINS ValueSet (*Cleft Lip with or without Cleft Palate (NCHS)*)) “CL” SHALL = “Y” ELSE “N”.

#### 6.6.1.1.47.2 CL LDS Source and Logic Variables

Newborn Delivery Information Section

1.3.6.1.4.1.19376.1.5.3.1.1.21.2.4

- 3585 Coded Detailed Physical Examination Section

1.3.6.1.4.1.19376.1.5.3.1.1.9.15.1

General Appearance Section

1.3.6.1.4.1.19376.1.5.3.1.1.9.16

**\$GeneralAppearanceObservationCode =**

- 3590 ClinicalDocument/component/structuredBody/component/section[templatedId[@root='1.3.6.1.4.1.19376.1.5.3.1.1.21.2.4']]/subject/relatedSubject/code[@code='NCHILD' AND id=idOfTheChild]/component/section[templatedId[@root='1.3.6.1.4.1.19376.1.5.3.1.1.9.15.1']]/component/section[templatedId[@root='1.3.6.1.4.1.19376.1.5.3.1.1.9.35']]/entry/act/entryRelationship/observation/code

#### 6.6.1.1.47.3 CL Value Sets

- 3595 Cleft Lip with or without Cleft Palate (NCHS) [1.3.6.1.4.1.19376.1.7.3.1.1.13.8.58](#)

### 6.6.1.1.48 CP

#### 6.6.1.1.48.1 CP Derivation Rule

IF (**\$GeneralAppearanceObservationCode** CONTAINS ValueSet (*Cleft Palate Alone (NCHS)*)) THEN “CP” SHALL = “Y” ELSE “N”.

- 3600 **6.6.1.1.48.2 CP LDS Source and Logic Variables**

Newborn Delivery Information Section

1.3.6.1.4.1.19376.1.5.3.1.1.21.2.4

Coded Detailed Physical Examination Section

1.3.6.1.4.1.19376.1.5.3.1.1.9.15.1

3605 General Appearance Section

1.3.6.1.4.1.19376.1.5.3.1.1.9.16

**\$GeneralAppearanceObservationCode =**

3610 ClinicalDocument/component/structuredBody/component/section[templatedId[@root='1.3.6.1.4.1.19376.1.5.3.1.1.21.2.4']]/ subject/relatedSubject/code[@code='NCHILD' AND id=idOfTheChild]/ component/section[templatedId[@root='1.3.6.1.4.1.19376.1.5.3.1.1.9.15.1']]/component/section[templatedId[@root='1.3.6.1.4.1.19376.1.5.3.1.1.9.35']]/entry/act/entryRelationship/observation/code

**6.6.1.1.48.3 CP Value Sets**

Cleft Palate Alone (NCHS) [1.3.6.1.4.1.19376.1.7.3.1.1.13.8.189](#)

**6.6.1.1.49 DOWC**

3615 **6.6.1.1.49.1 DOWC Derivation Rule**

IF ((\$GeneralAppearanceObservationCode CONTAINS ValueSet (*Karyotype Confirmed (NCHS)*) AND (\$GeneralAppearanceObservationCode CONTAINS ValueSet (*Downs Syndrome (NCHS)*))) THEN “DOWC” SHALL = “Y” ELSE “N”

**6.6.1.1.49.2 DOWC LDS Source and Logic Variables**

3620 Newborn Delivery Information Section

1.3.6.1.4.1.19376.1.5.3.1.1.21.2.4

Coded Detailed Physical Examination Section

1.3.6.1.4.1.19376.1.5.3.1.1.9.15.1

General Appearance Section

3625 1.3.6.1.4.1.19376.1.5.3.1.1.9.16

**\$GeneralAppearanceObservationCode =**

3630 ClinicalDocument/component/structuredBody/component/section[templatedId[@root='1.3.6.1.4.1.19376.1.5.3.1.1.21.2.4']]/ subject/relatedSubject/code[@code='NCHILD' AND id=idOfTheChild]/ component/section[templatedId[@root='1.3.6.1.4.1.19376.1.5.3.1.1.9.15.1']]/component/section[templatedId[@root='1.3.6.1.4.1.19376.1.5.3.1.1.9.16']]/entry/act/entryRelationship/observation/code

**6.6.1.1.49.3 DOWC Value Sets**

Karyotype Confirmed (NCHS) [1.3.6.1.4.1.19376.1.7.3.1.1.13.8.56](#)

Downs Syndrome (NCHS) [1.3.6.1.4.1.19376.1.7.3.1.1.13.8.61](#)

### 6.6.1.1.50 DOWN

#### 3635 6.6.1.1.50.1 DOWN Derivation Rule

IF (**\$GeneralAppearanceObservationCode** CONTAINS ValueSet (*Downs Syndrome (NCHS)*)) THEN “DOWN” SHALL = “Y” ELSE “N”

#### 6.6.1.1.50.2 DOWN LDS Source and Logic Variables

Newborn Delivery Information Section

3640 1.3.6.1.4.1.19376.1.5.3.1.1.21.2.4

Coded Detailed Physical Examination Section

1.3.6.1.4.1.19376.1.5.3.1.1.9.15.1

General Appearance Section

1.3.6.1.4.1.19376.1.5.3.1.1.9.16

#### 3645 **\$GeneralAppearanceObservationCode** =

ClinicalDocument/component/structuredBody/component/section[templatedId[@root='1.3.6.1.4.1.19376.1.5.3.1.1.21.2.4']]/subject/relatedSubject/code[@code='NCHILD' AND id=idOfTheChild]/component/section[templatedId[@root='1.3.6.1.4.1.19376.1.5.3.1.1.9.15.1']]/component/section[templatedId[@root='1.3.6.1.4.1.19376.1.5.3.1.1.9.16']]/entry/act/entryRelationship/observation/code

#### 3650 6.6.1.1.50.3 DOWN Value Sets

Downs Syndrome (NCHS) [1.3.6.1.4.1.19376.1.7.3.1.1.13.8.61](#)

### 6.6.1.1.51 DOWP

#### 6.6.1.1.51.1 DOWP Derivation Rule

3655 IF (**\$GeneralAppearanceObservationCode** CONTAINS ValueSet (*Downs Syndrome (NCHS)*) AND (**\$ProcedureCode** CONTAINS (*Karyotype Determination (NCHS)*) AND act classCode='ACT' moodCode='INT') AND (NOT **\$CodedResultCode** (*Karyotype Result (NCHS)*))) THEN DOWP” SHALL = “Y” ELSE “N”

#### 6.6.1.1.51.2 DOWP LDS Source and Logic Variables

Newborn Delivery Information Section

3660 1.3.6.1.4.1.19376.1.5.3.1.1.21.2.4

Coded Detailed Physical Examination Section

1.3.6.1.4.1.19376.1.5.3.1.1.9.15.1

General Appearance Section

1.3.6.1.4.1.19376.1.5.3.1.1.9.16

3665 **\$GeneralAppearanceObservationCode =**

ClinicalDocument/component/structuredBody/component/section[templateId[@root='1.3.6.1.4.1.19376.1.5.3.1.1.21.2.4']]/ subject/relatedSubject/code[@code='NCHILD' AND id=idOfTheChild]/ component/section[templateId[@root='1.3.6.1.4.1.19376.1.5.3.1.1.9.15.1']]/component/section[templateId[@root='1.3.6.1.4.1.19376.1.5.3.1.1.9.16']]/entry/act/entryRelationship/observation/code

3670 Newborn Delivery Information Section

1.3.6.1.4.1.19376.1.5.3.1.1.21.2.4

Procedures and Interventions Section

1.3.6.1.4.1.19376.1.5.3.1.1.13.2.11

Procedure Entry

3675 1.3.6.1.4.1.19376.1.5.3.1.4.19

**\$ProcedureCode =**

ClinicalDocument/component/structuredBody/component/section[templateId[@root='1.3.6.1.4.1.19376.1.5.3.1.1.21.2.4']]/ subject/relatedSubject/code[@code='NCHILD' AND id=idOfTheChild]/ component/section[templateId[@root='1.3.6.1.4.1.19376.1.5.3.1.1.13.2.11']]/entry/procedure/code

3680 Newborn Delivery Information Section

1.3.6.1.4.1.19376.1.5.3.1.1.21.2.4

Coded Results Section

1.3.6.1.4.1.19376.1.5.3.1.3.28

Simple Observation Entry

3685 1.3.6.1.4.1.19376.1.5.3.1.4.13

**\$CodedResultCode =**

ClinicalDocument/component/structuredBody/component/section[templateId[@root='1.3.6.1.4.1.19376.1.5.3.1.3.28']] subject/relatedSubject/code[@code='NCHILD' AND id=idOfTheChild]/ entry/act/entryRelationship/observation/code

3690 **6.6.1.1.51.3 DOWP Value Sets**

Downs Syndrome (NCHS) [1.3.6.1.4.1.19376.1.7.3.1.1.13.8.61](#)

Karyotype Determination (NCHS) [1.3.6.1.4.1.19376.1.7.3.1.1.13.8.154](#)

Karyotype Result (NCHS) [1.3.6.1.4.1.19376.1.7.3.1.1.13.8.59](#)

### 6.6.1.1.52 GAST

#### 3695 6.6.1.1.52.1 GAST Derivation Rule

IF (**\$AbdomenObservationCode** CONTAINS ValueSet (*Gastroschisis of the Newborn (NCHS)*)) THEN “GAST” SHALL = “Y” ELSE “N”.

#### 6.6.1.1.52.2 GAST LDS Source and Logic Variables

Newborn Delivery Information Section

3700 1.3.6.1.4.1.19376.1.5.3.1.1.21.2.4

Coded Detailed Physical Examination Section

1.3.6.1.4.1.19376.1.5.3.1.1.9.15.1

Abdomen

1.3.6.1.4.1.19376.1.5.3.1.1.9.31

3705 **\$AbdomenObservationCode** =

ClinicalDocument/component/structuredBody/component/section[templatedId[@root='1.3.6.1.4.1.19376.1.5.3.1.1.21.2.4']]/subject/relatedSubject/code[@code='NCHILD' AND id=idOfTheChild]/component/section[templatedId[@root='1.3.6.1.4.1.19376.1.5.3.1.1.9.15.1']]/component/section[templatedId[@root='1.3.6.1.4.1.19376.1.5.3.1.1.9.31']]/entry/act/entryRelationship/observation/code

#### 3710 6.6.1.1.52.3 GAST Value Sets

Value Sets

Gastroschisis of the Newborn (NCHS) [1.3.6.1.4.1.19376.1.7.3.1.1.13.8.62](#)

### 6.6.1.1.53 HYPO

#### 6.6.1.1.53.1 HYPO Derivation Rule

3715 If (**\$RenoGenitaliaObservationCode** = CONTAINS ValueSet (*Hypospadias (NCHS)*)) THEN “HYPO” SHALL = “Y” ELSE “N”.

#### 6.6.1.1.53.2 HYPO LDS Source and Logic Variables

Newborn Delivery Information Section

1.3.6.1.4.1.19376.1.5.3.1.1.21.2.4

3720 Coded Detailed Physical Examination Section

1.3.6.1.4.1.19376.1.5.3.1.1.9.15.1

Genitalia

1.3.6.1.4.1.19376.1.5.3.1.1.9.36

\$RenoGenitaliaObservationCode =

3725 ClinicalDocument/component/structuredBody/component/section[templatedId[@root='1.3.6.1.4.1.19376.1.5.3.1.1.21.2.4']]/ subject/relatedSubject/code[@code='NCHILD' AND id=idOfTheChild]/ component/section[templatedId[@root='1.3.6.1.4.1.19376.1.5.3.1.1.9.15.1']]/component/section[templatedId[@root='1.3.6.1.4.1.19376.1.5.3.1.1.9.36']]/entry/act/entryRelationship/observation/code

### 6.6.1.1.53.3 HYPO Value Sets

3730 Hypospadias (NCHS) [1.3.6.1.4.1.19376.1.7.3.1.1.13.8.63](#)

### 6.6.1.1.54 LIMB

#### 6.6.1.1.54.1 LIMB Derivation Rule

IF (\$MusculoskeletalObservationCode CONTAINS ValueSet (*Limb Reduction Defect (NCHS)*)) THEN “LIMB” SHALL = “Y” ELSE “N”.

#### 3735 6.6.1.1.54.2 LIMB LDS Source and Logic Variables

Newborn Delivery Information Section

1.3.6.1.4.1.19376.1.5.3.1.1.21.2.4

Coded Detailed Physical Examination Section

1.3.6.1.4.1.19376.1.5.3.1.1.9.15.1

3740 Musculoskeletal System

1.3.6.1.4.1.19376.1.5.3.1.1.9.34

\$MusculoskeletalObservationCode =

3745 ClinicalDocument/component/structuredBody/component/section[templatedId[@root='1.3.6.1.4.1.19376.1.5.3.1.1.21.2.4']]/ subject/relatedSubject/code[@code='NCHILD' AND id=idOfTheChild]/ component/section[templatedId[@root='1.3.6.1.4.1.19376.1.5.3.1.1.9.15.1']]/component/section[templatedId[@root='1.3.6.1.4.1.19376.1.5.3.1.1.9.34']]/entry/act/entryRelationship/observation/code

### 6.6.1.1.54.3 LIMB Value Sets

Limb Reduction Defect (NCHS) [6.1.4.1.19376.1.7.3.1.1.13.8.64](#)

### 6.6.1.1.55 MNSB

#### 3750 6.6.1.1.55.1 MNSB Derivation Rule

IF (\$NeurologicSystemObservationCode CONTAINS ValueSet (*Meningomyelocele/Spina Bifida - Newborn (NCHS)*)) THEN “MNSB” SHALL = “Y” ELSE “N”.

### 6.6.1.1.55.2 MNSB LDS Source and Logic Variables

Newborn Delivery Information Section

3755 1.3.6.1.4.1.19376.1.5.3.1.1.21.2.4

Coded Detailed Physical Examination Section

1.3.6.1.4.1.19376.1.5.3.1.1.9.15.1

Neurologic System

1.3.6.1.4.1.19376.1.5.3.1.1.9.35

3760 **\$NeurologicSystemObservationCode =**

ClinicalDocument/component/structuredBody/component/section[templatedId[@root='1.3.6.1.4.1.19376.1.5.3.1.1.21.2.4']]/ subject/relatedSubject/code[@code='NCHILD' AND id=idOfTheChild]/component/section[templatedId[@root='1.3.6.1.4.1.19376.1.5.3.1.1.9.15.1']]/component/section[templatedId[@root='1.3.6.1.4.1.19376.1.5.3.1.1.9.35']]/entry/act/entryRelationship/observation/code

3765

### 6.6.1.1.55.3 MNSB Value Sets

Meningomyelocele/Spina Bifida - Newborn (NCHS)

[1.3.6.1.4.1.19376.1.7.3.1.1.13.8.65](#)

### 6.6.1.1.56 OMPH

#### 6.6.1.1.56.1 OMPH Derivation Rule

3770 IF (**\$AbdomenObservationCode** CONTAINS ValueSet (*Omphalocele of the Newborn (NCHS)*) THEN “OMPH” SHALL = “Y” ELSE “N”.

### 6.6.1.1.56.2 OMPH LDS Source and Logic Variables

Newborn Delivery Information Section

1.3.6.1.4.1.19376.1.5.3.1.1.21.2.4

3775 Coded Detailed Physical Examination Section

1.3.6.1.4.1.19376.1.5.3.1.1.9.15.1

Abdomen

1.3.6.1.4.1.19376.1.5.3.1.1.9.31

**\$AbdomenObservationCode =**

3780

ClinicalDocument/component/structuredBody/component/section[templatedId[@root='1.3.6.1.4.1.19376.1.5.3.1.1.21.2.4']]/ subject/relatedSubject/code[@code='NCHILD' AND id=idOfTheChild]/ component/section[templatedId[@root='1.3.6.1.4.1.19376.1.5.3.1.1.9.15.1']]/component/section[templatedId[@root='1.3.6.1.4.1.19376.1.5.3.1.1.9.31']]/entry/act/entryRelationship/observation/code



**6.6.1.1.56.3 OMPH Value Sets**

3785 Omphalocele of the Newborn (NCHS) [1.3.6.1.4.1.19376.1.7.3.1.1.13.8.66](#)

**6.6.1.1.57 NOA55**

**6.6.1.1.57.1 NOA55 Derivation Rule**

This SHALL require data entry and SHALL NOT be a result of a default from the other attributes in the list

3790 **6.6.1.1.57.2 NOA55 LDS Source and Logic Variables**

Data Entry Required

**6.6.1.1.57.3 NOA55 Value Sets**

NA

**6.6.1.1.58 DNA55**

3795 **6.6.1.1.58.1 DNA55 Derivation Rule**

IF ((ANEN = "N") OR (MNSB = "N") OR (CCHD = "N") OR (CDH = "N") OR (OMPF = "N") OR (GAST = "N") OR (LIMB = "N") OR (CL = "N") OR (CP = "N") OR (DOWN = "N") OR (DOWC = "N") OR (DOWP = "N") OR (CDIS = "N") OR (CDIC = "N") OR (CDIP = "N") OR (HYPO = "N")), THEN "DNA55" SHALL = "1", ELSE "DNA55" SHALL = "0".

3800 **6.6.1.1.58.2 DNA55 LDS Source and Logic Variables**

Precondition: ANEN, MNSB, CCHD, CDH, OMPF, GAST, LIMB, CL, CP, DOWN, DOWC, DOWP, CDIS, CDIC, CDIP, HYPO

**6.6.1.1.58.3 DNA55 Value Sets**

NA

3805 **6.6.1.1.59 YLLB**

**6.6.1.1.59.1 YLLB Derivation Rule**

IF **\$PregnancyHistoryObservationCode** CONTAINS ValueSet (*Date of Last Live Birth (NCHS)*), THEN (IF **\$PregnancyHistoryObservationValue** NOT NULL THEN "YLLB" SHALL = the Year part of **\$PregnancyHistoryObservationValue** WHERE **\$PregnancyHistoryObservationValue** is expressed as Date AND WHERE the Year is represented using 4-digits ELSE "YLLB" SHALL = '8888') ELSE "YLLB" SHALL = '9999'

### 6.6.1.1.59.2 YLLB LDS Source and Logic Variables

Pregnancy History Section

1.3.6.1.4.1.19376.1.5.3.1.1.5.3.4

3815 Pregnancy Observation Entry

1.3.6.1.4.1.19376.1.5.3.1.4.13.5

**\$PregnancyHistoryObservationCode**

ClinicalDocument/component/structuredBody/component/section[templateId[@root='1.3.6.1.4.1.19376.1.5.3.1.1.5.3.4']]/entry/observation/code Pregnancy History Section

3820 1.3.6.1.4.1.19376.1.5.3.1.1.5.3.4

Pregnancy Observation Entry

1.3.6.1.4.1.19376.1.5.3.1.4.13.5

**\$PregnancyHistoryObservationValue**

3825 ClinicalDocument/component/structuredBody/component/section[templateId[@root='1.3.6.1.4.1.19376.1.5.3.1.1.5.3.4']]/entry/observation/value

### 6.6.1.1.59.3 YLLB Value Sets

Date of Last Live Birth (NCHS) [1.3.6.1.4.1.19376.1.7.3.1.1.13.8.67](#)

### 6.6.1.1.60 MLLB

#### 6.6.1.1.60.1 MLLB Derivation Rule

3830 IF **\$PregnancyHistoryObservationCode** CONTAINS ValueSet (*Date of Last Live Birth (NCHS)*), THEN (IF **\$PregnancyHistoryObservationValue** NOT NULL THEN “MLLB” SHALL = the Month part of **\$PregnancyHistoryObservationValue** WHERE **\$PregnancyHistoryObservationValue** is expressed as Date AND WHERE the Month is represented using 2-digits ELSE “MLLB” SHALL = ‘88’) ELSE “YLLB” SHALL = ‘99’

### 3835 6.6.1.1.60.2 MLLB LDS Source and Logic Variables

Pregnancy History Section

1.3.6.1.4.1.19376.1.5.3.1.1.5.3.4

Pregnancy Observation Entry

1.3.6.1.4.1.19376.1.5.3.1.4.13.5

3840 **\$PregnancyHistoryObservationCode**

ClinicalDocument/component/structuredBody/component/section[templateId[@root='1.3.6.1.4.1.19376.1.5.3.1.1.5.3.4']]/entry/observation/code Pregnancy History Section

1.3.6.1.4.1.19376.1.5.3.1.1.5.3.4

Pregnancy Observation Entry

3845 1.3.6.1.4.1.19376.1.5.3.1.4.13.5

**\$PregnancyHistoryObservationValue**

ClinicalDocument/component/structuredBody/component/section[templateId[@root='1.3.6.1.4.1.19376.1.5.3.1.1.5.3.4']]/entry/observation/value

**6.6.1.1.60.3 MLLB Value Sets**

3850 Date of Last Live Birth (NCHS) [1.3.6.1.4.1.19376.1.7.3.1.1.13.8.67](#)

**6.6.1.1.61 DLMP\_DY**

**6.6.1.1.61.1 DLMP\_DY Derivation Rule**

3855 IF **\$PregnancyHistoryObservationCode** CONTAINS ValueSet (*Date of Last Menses (NCHS)*), THEN “DLMP\_DY” SHALL = Day part of **\$PregnancyHistoryObservationValue** WHERE **\$PregnancyHistoryObservationValue** is expressed as Date

**6.6.1.1.61.2 DLMP\_DY LDS Source and Logic Variables**

Pregnancy History Section

1.3.6.1.4.1.19376.1.5.3.1.1.5.3.4

Pregnancy Observation Entry

3860 1.3.6.1.4.1.19376.1.5.3.1.4.13.5

**\$PregnancyHistoryObservationCode**

ClinicalDocument/component/structuredBody/component/section[templateId[@root='1.3.6.1.4.1.19376.1.5.3.1.1.5.3.4']]/entry/observation/code Pregnancy History Section

1.3.6.1.4.1.19376.1.5.3.1.1.5.3.4

3865 Pregnancy Observation Entry

1.3.6.1.4.1.19376.1.5.3.1.4.13.5

**\$PregnancyHistoryObservationValue**

ClinicalDocument/component/structuredBody/component/section[templateId[@root='1.3.6.1.4.1.19376.1.5.3.1.1.5.3.4']]/entry/observation/value

3870 **6.6.1.1.61.3 DLMP\_DY Value Sets**

NA

#### 6.6.1.1.62 DLMP\_MO

##### 6.6.1.1.62.1 DLMP\_MO Derivation Rule

3875 IF **\$PregnancyHistoryObservationCode** CONTAINS ValueSet (*Date of Last Menses (NCHS)*),  
THEN “DLMP\_MO” SHALL = Month part of **\$PregnancyHistoryObservationValue** WHERE  
**\$PregnancyHistoryObservationValue** is expressed as Date

##### 6.6.1.1.62.2 DLMP\_MO LDS Source and Logic Variables

Pregnancy History Section

1.3.6.1.4.1.19376.1.5.3.1.1.5.3.4

3880 Pregnancy Observation Entry

1.3.6.1.4.1.19376.1.5.3.1.4.13.5

##### **\$PregnancyHistoryObservationCode**

ClinicalDocument/component/structuredBody/component/section[templateId[@root='1.3.6.1.4.1.19376.1.5.3.1.1.5.3.4']]/entry/observation/code

3885 Pregnancy History Section

1.3.6.1.4.1.19376.1.5.3.1.1.5.3.4

Pregnancy Observation Entry

1.3.6.1.4.1.19376.1.5.3.1.4.13.5

##### **\$PregnancyHistoryObservationValue**

3890 ClinicalDocument/component/structuredBody/component/section[templateId[@root='1.3.6.1.4.1.19376.1.5.3.1.1.5.3.4']]/entry/observation/value

##### 6.6.1.1.62.3 DLMP\_MO Value Sets

Date of Last Menses (NCHS) [1.3.6.1.4.1.19376.1.7.3.1.1.13.8.69](#)

#### 6.6.1.1.63 DLMP\_YR

3895 **6.6.1.1.63.1 DLMP\_YR Derivation Rule**

IF **\$PregnancyHistoryObservationCode** CONTAINS ValueSet (*Date of Last Menses (NCHS)*),  
THEN “DLMP\_YR” SHALL = Year part of **\$PregnancyHistoryObservationValue** WHERE  
**\$PregnancyHistoryObservationValue** is expressed as Date

##### 6.6.1.1.63.2 DLMP\_YR LDS Source and Logic Variables

3900 Pregnancy History Section

1.3.6.1.4.1.19376.1.5.3.1.1.5.3.4

Pregnancy Observation Entry

1.3.6.1.4.1.19376.1.5.3.1.4.13.5

**\$PregnancyHistoryObservationCode**

3905 ClinicalDocument/component/structuredBody/component/section[templateId[@root='1.3.6.1.4.1.19376.1.5.3.1.1.5.3.4']]entry/observation/code

Pregnancy History Section

1.3.6.1.4.1.19376.1.5.3.1.1.5.3.4

Pregnancy Observation Entry

3910 1.3.6.1.4.1.19376.1.5.3.1.4.13.5

**\$PregnancyHistoryObservationValue**

ClinicalDocument/component/structuredBody/component/section[templateId[@root='1.3.6.1.4.1.19376.1.5.3.1.1.5.3.4']]entry/observation/value

**6.6.1.1.63.3 DLMP\_YR Value Sets**

3915 Date of Last Menses (NCHS) [1.3.6.1.4.1.19376.1.7.3.1.1.13.8.69](#)

**6.6.1.1.64 YOPO**

**6.6.1.1.64.1 YOPO Derivation Rule**

3920 IF **\$PregnancyHistoryObservationCode** CONTAINS ValueSet (*Date of Last Other Pregnancy Outcome (NCHS)*), THEN (IF **\$PregnancyHistoryObservationValue** NOT NULL THEN “YOPO” SHALL = the Year part of **\$PregnancyHistoryObservationValue** WHERE **\$PregnancyHistoryObservationValue** is expressed as Date AND WHERE the Year is represented using 4-digits ELSE YOPO” SHALL = ‘8888’) ELSE “YOPO” SHALL = ‘9999’

**6.6.1.1.64.2 YOPO LDS Source and Logic Variables**

Pregnancy History Section

3925 1.3.6.1.4.1.19376.1.5.3.1.1.5.3.4

Pregnancy Observation Entry

1.3.6.1.4.1.19376.1.5.3.1.4.13.5

**\$PregnancyHistoryObservationCode**

3930 ClinicalDocument/component/structuredBody/component/section[templateId[@root='1.3.6.1.4.1.19376.1.5.3.1.1.5.3.4']]entry/observation/code

Pregnancy History Section

1.3.6.1.4.1.19376.1.5.3.1.1.5.3.4

Pregnancy Observation Entry

1.3.6.1.4.1.19376.1.5.3.1.4.13.5

3935 **\$PregnancyHistoryObservationValue**

ClinicalDocument/component/structuredBody/component/section[templateId[@root='1.3.6.1.4.1.19376.1.5.3.1.1.5.3.4']]entry/observation/value

#### **6.6.1.1.64.3 YOPO Value Sets**

Date of Last Other Pregnancy Outcome (NCHS) [1.3.6.1.4.1.19376.1.7.3.1.1.13.8.70](#)

3940 **6.6.1.1.65 MOPO**

#### **6.6.1.1.65.1 MOPO Derivation Rule**

IF **\$PregnancyHistoryObservationCode** CONTAINS ValueSet (*Date of Last Other Pregnancy Outcome (NCHS)*), THEN (IF **\$PregnancyHistoryObservationValue** NOT NULL THEN “MOPO” SHALL = the Month part of **\$PregnancyHistoryObservationValue** WHERE **\$PregnancyHistoryObservationValue** is expressed as Date AND WHERE the Month is represented using 2-digits ELSE MOPO” SHALL = ‘88’) ELSE “MOPO” SHALL = ‘99’

#### **6.6.1.1.65.2 MOPO LDS Source and Logic Variables**

Pregnancy History Section

1.3.6.1.4.1.19376.1.5.3.1.1.5.3.4

3950 Pregnancy Observation Entry

1.3.6.1.4.1.19376.1.5.3.1.4.13.5

#### **\$PregnancyHistoryObservationCode**

ClinicalDocument/component/structuredBody/component/section[templateId[@root='1.3.6.1.4.1.19376.1.5.3.1.1.5.3.4']]entry/observation/code

3955 **\$PregnancyHistoryObservationValue**

ClinicalDocument/component/structuredBody/component/section[templateId[@root='1.3.6.1.4.1.19376.1.5.3.1.1.5.3.4']]entry/observation/value

#### **6.6.1.1.65.3 MOPO Value Sets**

Date of Last Other Pregnancy Outcome (NCHS) [1.3.6.1.4.1.19376.1.7.3.1.1.13.8.70](#)

3960 **6.6.1.1.66 ADDRESS\_D**

#### **6.6.1.1.66.1 ADDRESS\_D Derivation Rule**

“Facility Address” SHALL be populated using the **\$ChildFacilityAddress**

#### **6.6.1.1.66.2 ADDRESS\_D LDS Source and Logic Variables**

Labor and Delivery Summary Metadata

3965 **\$ChildFacilityAddress**

ClinicalDocument/componentOf/encompassingEncounter/location/healthCareFacility/location/addr

#### **6.6.1.1.66.3 ADDRESS\_D Value Sets**

NA

#### **6.6.1.1.67 FNAME**

3970 **6.6.1.1.67.1 FNAME Derivation Rule**

FNAME” SHALL be populated using the **\$ChildFacilityName**

#### **6.6.1.1.67.2 FNAME LDS Source and Logic Variables**

Labor and Delivery Summary Metadata

**\$ChildFacilityName**

3975 ClinicalDocument/componentOf/encompassingEncounter/location/healthCareFacility/location/name

#### **6.6.1.1.67.3 FNAME Value Sets**

NA

#### **6.6.1.1.68 FNPI**

#### **6.6.1.1.68.1 FNPI Derivation Rule**

3980 “FNPI” SHALL be populated using the **\$ChildFacilityNPI**

#### **6.6.1.1.68.2 FNPI LDS Source and Logic Variables**

Labor and Delivery Summary Metadata

**\$ChildFacilityNPI**

3985 ClinicalDocument/component/structuredBody/component/section[templateId[@root='2.16.840.1.11  
3883.10.20.1.21']]/subject/relatedSubject/code[@code='NCHILD' AND  
id=idOfTheChild]/ClinicalDocument/componentOf/encompassingEncounter/  
location/healthCareFacility/location/id

#### **6.6.1.1.68.3 FNPI Value Sets**

NA

3990 **6.6.1.1.69 CHAM**

**6.6.1.1.69.1 CHAM Derivation Rule**

IF (**\$ProblemCode** CONTAINS ValueSet (*Chlamydia (NCHS)*)) OR  
(**\$InfectionHistoryProblemCode** CONTAINS ValueSet (*Chlamydia (NCHS)*))  
THEN “CHAM” SHALL = “Y” ELSE “N”.

3995 **6.6.1.1.69.2 CHAM LDS Source and Logic Variables**

Active Problems Section

1.3.6.1.4.1.19376.1.5.3.1.3.6

Problem Concern Entry

1.3.6.1.4.1.19376.1.5.3.1.4.5.2

4000 **\$ProblemCode =**

ClinicalDocument/component/structuredBody/component/section[templatedId[@root='1.3.6.1.4.1.19376.1.5.3.1.3.6']] /entry/act/entryRelationship/observation/value

Coded History of Infection Section

1.3.6.1.4.1.19376.1.5.3.1.1.16.2.1.1.1

4005 Problem Concern Entry

1.3.6.1.4.1.19376.1.5.3.1.4.5.2

**\$InfectionHistoryProblemCode =**

ClinicalDocument/component/structuredBody/component/section[templatedId[@root='1.3.6.1.4.1.19376.1.5.3.1.1.16.2.1.1.1']] /entry/act/entryRelationship/observation/value

4010 **6.6.1.1.69.3 CHAM Value Sets**

Chlamydia (NCHS) [1.3.6.1.4.1.19376.1.7.3.1.1.13.8.93](#)

**6.6.1.1.70 GON**

**6.6.1.1.70.1 GON Derivation Rule**

4015 IF (**\$ProblemCode** CONTAINS ValueSet (*Gonorrhea (NCHS)*)) OR  
(**\$InfectionHistoryProblemCode** CONTAINS ValueSet (*Gonorrhea (NCHS)*))  
THEN “GON” SHALL = “Y” ELSE “N”.

**6.6.1.1.70.2 GON LDS Source and Logic Variables**

Active Problems Section



1.3.6.1.4.1.19376.1.5.3.1.3.6

4020 Problem Concern Entry

1.3.6.1.4.1.19376.1.5.3.1.4.5.2

**\$ProblemCode =**

ClinicalDocument/component/structuredBody/component/section[templateId[@root='1.3.6.1.4.1.19376.1.5.3.1.3.6']] /entry/act/entryRelationship/observation/value

4025 Coded History of Infection Section

1.3.6.1.4.1.19376.1.5.3.1.1.16.2.1.1.1

Problem Concern Entry

1.3.6.1.4.1.19376.1.5.3.1.4.5.2

**\$InfectionHistoryProblemCode =**

4030 ClinicalDocument/component/structuredBody/component/section[templateId[@root='1.3.6.1.4.1.19376.1.5.3.1.1.16.2.1.1.1']] /entry/act/entryRelationship/observation/value

### 6.6.1.1.70.3 GON Value Sets

Gonorrhea (NCHS) [2.16.840.1.114222.4.11.6071](#)

### 6.6.1.1.71 HEPB

4035 **6.6.1.1.71.1 HEPB Derivation Rule**

IF (**\$ProblemCode** CONTAINS ValueSet (*Hepatitis B (NCHS)*) OR  
(**\$InfectionHistoryProblemCode** CONTAINS ValueSet (*Hepatitis B (NCHS)*)) THEN  
“HEPB” SHALL = “Y” ELSE “N”.

### 6.6.1.1.71.2 HEPB LDS Source and Logic Variables

4040 Active Problems Section

1.3.6.1.4.1.19376.1.5.3.1.3.6

Problem Concern Entry

1.3.6.1.4.1.19376.1.5.3.1.4.5.2

**\$ProblemCode =**

4045 ClinicalDocument/component/structuredBody/component/section[templateId[@root='1.3.6.1.4.1.19376.1.5.3.1.3.6']] /entry/act/entryRelationship/observation/value

Coded History of Infection Section

1.3.6.1.4.1.19376.1.5.3.1.1.16.2.1.1.1

Problem Concern Entry

4050 1.3.6.1.4.1.19376.1.5.3.1.4.5.2

**\$InfectionHistoryProblemCode =**

ClinicalDocument/component/structuredBody/component/section[templateId[@root='1.3.6.1.4.1.19376.1.5.3.1.1.16.2.1.1.1']] /entry/act/entryRelationship/observation/value

**6.6.1.1.71.3 HEPB Value Sets**

4055 Hepatitis B (NCHS) [1.3.6.1.4.1.19376.1.7.3.1.1.13.8.96](#)

**6.6.1.1.72 HEPC**

**6.6.1.1.72.1 HEPC Derivation Rule**

4060 IF (**\$ProblemCode** CONTAINS ValueSet (*Hepatitis C (NCHS)*)) OR  
(**\$InfectionHistoryProblemCode** CONTAINS ValueSet (*Hepatitis C (NCHS)*)) THEN  
“HEPC” SHALL = “Y” ELSE “N”.

**6.6.1.1.72.2 HEPC LDS Source and Logic Variables**

Active Problems Section

1.3.6.1.4.1.19376.1.5.3.1.3.6

Problem Concern Entry

4065 1.3.6.1.4.1.19376.1.5.3.1.4.5.2

**\$ProblemCode =**

ClinicalDocument/component/structuredBody/component/section[templateId[@root='1.3.6.1.4.1.19376.1.5.3.1.3.6']] /entry/act/entryRelationship/observation/value

Coded History of Infection Section

4070 1.3.6.1.4.1.19376.1.5.3.1.1.16.2.1.1.1

Problem Concern Entry

1.3.6.1.4.1.19376.1.5.3.1.4.5.2

**\$InfectionHistoryProblemCode =**

4075 ClinicalDocument/component/structuredBody/component/section[templateId[@root='1.3.6.1.4.1.19376.1.5.3.1.1.16.2.1.1.1']] /entry/act/entryRelationship/observation/value

**6.6.1.1.72.3 HEPC Value Sets**

Hepatitis C (NCHS) [1.3.6.1.4.1.19376.1.7.3.1.1.13.8.97](#)

### 6.6.1.1.73 SYPH

#### 6.6.1.1.73.1 SYPH Derivation Rule

4080 IF (**\$ProblemCode** CONTAINS ValueSet (*Syphilis (NCHS)*)) OR  
(**\$InfectionHistoryProblemCode** CONTAINS ValueSet (*Syphilis (NCHS)*)) THEN “SYPH”  
SHALL = “Y” ELSE “N”.

#### 6.6.1.1.73.2 SYPH LDS Source and Logic Variables

Active Problems Section

4085 1.3.6.1.4.1.19376.1.5.3.1.3.6

Problem Concern Entry

1.3.6.1.4.1.19376.1.5.3.1.4.5.2

**\$ProblemCode** =

4090 ClinicalDocument/component/structuredBody/component/section[templateId[@root='1.3.6.1.4.1.19376.1.5.3.1.3.6']] /entry/act/entryRelationship/observation/value

Coded History of Infection Section

1.3.6.1.4.1.19376.1.5.3.1.1.16.2.1.1.1

Problem Concern Entry

1.3.6.1.4.1.19376.1.5.3.1.4.5.2

4095 **\$InfectionHistoryProblemCode** =

ClinicalDocument/component/structuredBody/component/section[templateId[@root='1.3.6.1.4.1.19376.1.5.3.1.1.16.2.1.1.1']] /entry/act/entryRelationship/observation/value

#### 6.6.1.1.73.3 SYPH Value Sets

Syphilis (NCHS) [1.3.6.1.4.1.19376.1.7.3.1.1.13.8.98](#)

4100 **6.6.1.1.74 NOA02**

#### 6.6.1.1.74.1 NOA02 Derivation Rule

This SHALL require data entry and SHALL NOT be a result of a default from the other attributes in the list

#### 6.6.1.1.74.2 NOA02 LDS Source and Logic Variables

4105 Data Entry Required

### 6.6.1.1.74.3 NOA02 Value Sets

NA

### 6.6.1.1.75 AINT

#### 6.6.1.1.75.1 AINT Derivation Rule

4110 IF (**\$EventOutcomesObservationCode** CONTAINS ValueSet (*ICU Care (NCHS)*) THEN “AINT” SHALL be “Y” ELSE “N”.

#### 6.6.1.1.75.2 AINT LDS Source and Logic Variables

Labor and Delivery Section

1.3.6.1.4.1.19376.1.5.3.1.1.21.2.3

4115 Coded Event Outcomes Section

1.3.6.1.4.1.19376.1.7.3.1.1.13.7

Simple Observation Entry

1.3.6.1.4.1.19376.1.5.3.1.4.13

**\$EventOutcomesObservationCode** =

4120 ClinicalDocument/component/structuredBody/component/section[templatedId[@root='1.3.6.1.4.1.19376.1.5.3.1.1.21.2.3']]/component/section[templatedId[@root='1.3.6.1.4.1.19376.1.7.3.1.1.13.7']]/entry/act/entryRelationship/observation/code

#### 6.6.1.1.75.3 AINT Value Sets

ICU Care (NCHS) [1.3.6.1.4.1.19376.1.7.3.1.1.13.8.188](#)

4125 **6.6.1.1.76 MTR**

#### 6.6.1.1.76.1 MTR Derivation Rule

IF (**\$ProcedureCode** CONTAINS ValueSet (*Transfusion Whole Blood or Packed Red Bld (NCHS)*) THEN “MTR” SHALL be “Y” ELSE “N”

#### 6.6.1.1.76.2 MTR LDS Source and Logic Variables

4130 Labor and Delivery Section

1.3.6.1.4.1.19376.1.5.3.1.1.21.2.3

Procedures and Interventions Section

1.3.6.1.4.1.19376.1.5.3.1.1.13.2.11

Procedure Entry

4135 1.3.6.1.4.1.19376.1.5.3.1.4.19

**\$ProcedureCode =**

ClinicalDocument/component/structuredBody/component/section[templated[@root='1.3.6.1.4.1.19376.1.5.3.1.1.21.2.3']]/component/section[templated[@root='1.3.6.1.4.1.19376.1.5.3.1.1.13.2.11']]/entry/procedure/code

4140 **6.6.1.1.76.3 MTR Value Sets**

Transfusion Whole Blood or Packed Red Bld (NCHS) [1.3.6.1.4.1.19376.1.7.3.1.1.13.8.99](#)

**6.6.1.1.77 PLAC**

**6.6.1.1.77.1 PLAC Derivation Rule**

4145 IF (**\$EventOutcomesObservationCode** CONTAINS ValueSet (*Third Degree Perineal Laceration (NCHS)*) OR (*Fourth Degree Perineal Laceration (NCHS)*) THEN “PLAC” SHALL be “Y” ELSE “N”

**6.6.1.1.77.2 PLAC LDS Source and Logic Variables**

Labor and Delivery Section

1.3.6.1.4.1.19376.1.5.3.1.1.21.2.3

4150 Coded Event Outcomes Section

1.3.6.1.4.1.19376.1.7.3.1.1.13.7

Problem Observation Entry

1.3.6.1.4.1.19376.1.5.3.1.4.5

**\$EventOutcomesObservationCode =**

4155 CodeClinicalDocument/component/structuredBody/component/section[templated[@root='1.3.6.1.4.1.19376.1.5.3.1.1.21.2.3']]/component/section[templated[@root='1.3.6.1.4.1.19376.1.7.3.1.1.13.7']]/entry/observation/value

**6.6.1.1.77.3 PLAC Value Sets**

Third Degree Perineal Laceration (NCHS) [1.3.6.1.4.1.19376.1.7.3.1.1.13.8.100](#)

4160 Fourth Degree Perineal Laceration (NCHS) [1.3.6.1.4.1.19376.1.7.3.1.1.13.8.101](#)

**6.6.1.1.78 RUT**

**6.6.1.1.78.1 RUT Derivation Rule**

IF (**\$EventOutcomesObservationCode** CONTAINS ValueSet (*Ruptured Uterus (NCHS)*) THEN “RUT” SHALL be “Y” ELSE “N”

4165 **6.6.1.1.78.2 RUT LDS Source and Logic Variables**

Labor and Delivery Section

1.3.6.1.4.1.19376.1.5.3.1.1.21.2.3

Coded Event Outcomes Section

1.3.6.1.4.1.19376.1.7.3.1.1.13.7

4170 Problem Observation Entry

1.3.6.1.4.1.19376.1.5.3.1.4.5

**\$EventOutcomesObservationCode =**

4175 CodeClinicalDocument/component/structuredBody/component/section[templatedId[@root='1.3.6.1.4.1.19376.1.5.3.1.1.21.2.3']]/component/section[templatedId[@root='1.3.6.1.4.1.19376.1.7.3.1.1.13.7']]/entry/observation/value

**6.6.1.1.78.3 RUT Value Sets**

Ruptured Uterus (NCHS) [1.3.6.1.4.1.19376.1.7.3.1.1.13.8.102](#)

**6.6.1.1.79 UHYS**

**6.6.1.1.79.1 UHYS Derivation Rule**

4180 IF (**\$ProcedureCode** CONTAINS ValueSet (*Unplanned Hysterectomy (NCHS)*)) THEN  
“UHYS” SHALL be “Y” ELSE “N”

**6.6.1.1.79.2 UHYS LDS Source and Logic Variables**

Labor and Delivery Section

1.3.6.1.4.1.19376.1.5.3.1.1.21.2.3

4185 Procedures and Interventions Section

1.3.6.1.4.1.19376.1.5.3.1.1.13.2.11

Procedure Entry

1.3.6.1.4.1.19376.1.5.3.1.4.19

**\$ProcedureCode =**

4190 ClinicalDocument/component/structuredBody/component/section[templatedId[@root='1.3.6.1.4.1.19376.1.5.3.1.1.21.2.3']]/component/section[templatedId[@root='1.3.6.1.4.1.19376.1.5.3.1.1.13.2.11']]/entry/procedure/code

**6.6.1.1.79.3 UHYS Value Sets**

Unplanned Hysterectomy (NCHS) [1.3.6.1.4.1.19376.1.7.3.1.1.13.8.103](#)

4195 **6.6.1.1.80 UOPR**

**6.6.1.1.80.1 UOPR Derivation Rule**

IF (**\$ProcedureCode** CONTAINS ValueSet (*Unplanned Operation (NCHS)*) “UOPR” **SHALL** be “Y” ELSE “N”

**6.6.1.1.80.2 UOPR LDS Source and Logic Variables**

4200 Labor and Delivery Section

1.3.6.1.4.1.19376.1.5.3.1.1.21.2.3

Procedures and Interventions Section

1.3.6.1.4.1.19376.1.5.3.1.1.13.2.11

Procedure Entry

4205 1.3.6.1.4.1.19376.1.5.3.1.4.19

**\$ProcedureCode** =

ClinicalDocument/component/structuredBody/component/section[templateId[@root='1.3.6.1.4.1.19376.1.5.3.1.1.21.2.3']]/component/section[templateId[@root='1.3.6.1.4.1.19376.1.5.3.1.1.13.2.11']]/entry/procedure/code

4210 **\$ProcedureEndTime** =

ClinicalDocument/component/structuredBody/component/section[templateId[@root='1.3.6.1.4.1.19376.1.5.3.1.1.21.2.3']]/component/section[templateId[@root='1.3.6.1.4.1.19376.1.5.3.1.1.13.2.11']]/entry/procedure/effectiveTime/high

**6.6.1.1.80.3 UOPR Value Sets**

4215 Unplanned Operation (NCHS) <1.3.6.1.4.1.19376.1.7.3.1.1.13.8.105>

**6.6.1.1.81 NOA05**

**6.6.1.1.81.1 NOA05 Derivation Rule**

This **SHALL** require data entry and **SHALL NOT** be a result of a default from the other attributes in the list

4220 **6.6.1.1.81.2 NOA05 LDS Source and Logic Variables**

Data Entry Required

**6.6.1.1.81.3 NOA05 Value Sets**

NA

### 6.6.1.1.82 PRES

#### 4225 6.6.1.1.82.1 PRES Derivation Rule

IF (**\$EventOutcomesObservationCode** CONTAINS ValueSet (*Fetal Presentation at Birth-Cephalic (NCHS)*) THEN “PRES” SHALL = “1” ELSE IF (**\$EventOutcomesObservationCode** CONTAINS ValueSet (*Fetal Presentation at Birth-Breech (NCHS)*) THEN “PRES” SHALL = “2” ELSE IF (**\$EventOutcomesObservationCode** CONTAINS ValueSet (*Fetal Presentation at Birth- Other (NCHS)*) THEN “PRES” SHALL = “3” ELSE “PRES” SHALL = “9”

#### 6.6.1.1.82.2 PRES LDS Source and Logic Variables

Labor and Delivery Section

1.3.6.1.4.1.19376.1.5.3.1.1.21.2.3

#### 4235 Coded Event Outcomes Section

1.3.6.1.4.1.19376.1.7.3.1.1.13.7

Problem Observation Entry

1.3.6.1.4.1.19376.1.5.3.1.4.5

**\$EventOutcomesObservationCode** =

4240 ClinicalDocument/component/structuredBody/component/section[templatedId[@root='1.3.6.1.4.1.19376.1.5.3.1.1.21.2.3']]/component/section[templatedId[@root='1.3.6.1.4.1.19376.1.7.3.1.1.13.7']]/entry/observation/value

#### 6.6.1.1.82.3 PRES Value Sets

Fetal Presentation at Birth- Breech (NCHS) [1.3.6.1.4.1.19376.1.7.3.1.1.13.8.108](#)

4245 Fetal Presentation at Birth- Cephalic (NCHS) [1.3.6.1.4.1.19376.1.7.3.1.1.13.8.109](#)

Fetal Presentation at Birth- Other (NCHS) [1.3.6.1.4.1.19376.1.7.3.1.1.13.8.110](#)

### 6.6.1.1.83 ROUT

#### 6.6.1.1.83.1 ROUT Derivation Rule

4250 IF (**\$ProcedureCode** CONTAINS ValueSet (*Route and Method of Delivery - Spontaneous (NCHS)*) THEN “ROUT” SHALL = “1” ELSE IF **\$ProcedureCode** CONTAINS ValueSet (*Route and Method of Delivery - Cesarean (NCHS)*) THEN “ROUT” SHALL = “4” ELSE “ROUT” SHALL = “9”.

#### 6.6.1.1.83.2 ROUT LDS Source and Logic Variables

Labor and Delivery Section



4255 1.3.6.1.4.1.19376.1.5.3.1.1.21.2.3

Procedures and Interventions Section

1.3.6.1.4.1.19376.1.5.3.1.1.13.2.11

Procedure Entry

1.3.6.1.4.1.19376.1.5.3.1.4.19

4260 **\$ProcedureCode =**

ClinicalDocument/component/structuredBody/component/section[templateId[@root='1.3.6.1.4.1.19376.1.5.3.1.1.21.2.3']]/component/section[templateId[@root='1.3.6.1.4.1.19376.1.5.3.1.1.13.2.11']]/entry/procedure/code

### **6.6.1.1.83.3 ROUT Value Sets**

4265 Route and Method of Delivery - Spontaneous (NCHS) [1.3.6.1.4.1.19376.1.7.3.1.1.13.8.111](#)

Route and Method of Delivery - Cesarean (NCHS) [1.3.6.1.4.1.19376.1.7.3.1.1.13.8.114](#)

### **6.6.1.1.84 TLAB**

#### **6.6.1.1.84.1 TLAB Derivation Rule**

4270 IF (**\$ProcedureCode** CONTAINS ValueSet (*Route and Method of Delivery - Cesarean (NCHS)*) THEN (IF (**\$ProcedureCode** CONTAINS ValueSet (*Route Method of Delivery - Trial of Labor (NCHS)*) THEN “TLAB” SHALL be “Y” ELSE IF NOT **\$ProcedureCode** CONTAINS ValueSet (*Route and Method of Delivery - Scheduled C (NCHS)*) THEN “TLAB” SHALL NOT be available for data entry and. SHALL = “X” ELSE IF =NULL THEN “U”) ELSE “N”.

4275 **6.6.1.1.84.2 TLAB LDS Source and Logic Variables**

Labor and Delivery Section

1.3.6.1.4.1.19376.1.5.3.1.1.21.2.3

Procedures and Interventions Section

1.3.6.1.4.1.19376.1.5.3.1.1.13.2.11

4280 Procedure Entry

1.3.6.1.4.1.19376.1.5.3.1.4.19

**\$ProcedureCode =**

4285 ClinicalDocument/component/structuredBody/component/section[templateId[@root='1.3.6.1.4.1.19376.1.5.3.1.1.21.2.3']]/component/section[templateId[@root='1.3.6.1.4.1.19376.1.5.3.1.1.13.2.11']]/entry/procedure/code

### 6.6.1.1.84.3 TLAB Value Sets

Route Method of Delivery - Trial of Labor (NCHS) [1.3.6.1.4.1.19376.1.7.3.1.1.13.8.115](#)

Route and Method of Delivery - Scheduled C (NCHS) [1.3.6.1.4.1.19376.1.7.3.1.1.13.8.116](#)

Route and Method of Delivery - Cesarean (NCHS) [1.3.6.1.4.1.19376.1.7.3.1.1.13.8.114](#)

### 4290 6.6.1.1.85 MFNAME

#### 6.6.1.1.85.1 MFNAME Derivation Rule

“MFNAME” SHALL be populated using the First Name part of \$MotherName

#### 6.6.1.1.85.2 MFNAME LDS Source and Logic Variables

Labor and Delivery Summary Mother’s Metadata

4295 \$MotherName

/ClinicalDocument/patientRole/patient/name

#### 6.6.1.1.85.3 MFNAME Value Sets

NA

### 6.6.1.1.86 MMNAME

#### 4300 6.6.1.1.86.1 MMNAME Derivation Rule

“MMNAME” SHALL be populated using the Middle Name part of part \$MotherName

#### 6.6.1.1.86.2 MMNAME LDS Source and Logic Variables

Labor and Delivery Summary Mother’s Metadata

\$MotherName

4305 /ClinicalDocument/patientRole/patient/name/given[2]

#### 6.6.1.1.86.3 MMNAME Value Sets

NA

### 6.6.1.1.87 MLNAME

#### 6.6.1.1.87.1 MLNAME Derivation Rule

4310 “MLNAME” SHALL be populated using the Last Name part of part of \$MotherName

#### 6.6.1.1.87.2 MLNAME LDS Source and Logic Variables

Labor and Delivery Summary Mother’s Metadata

**\$MotherName**

/ClinicalDocument/patientRole/patient/name/family

4315 **6.6.1.1.87.3 MLNAME Value Sets**

NA

**6.6.1.1.88 MSUFF**

**6.6.1.1.88.1 MSUFF Derivation Rule**

“MSUFF” **SHALL** be populated using the Last Name Suffix part of part of **\$MotherName**

4320 **6.6.1.1.88.2 MSUFF LDS Source and Logic Variables**

Labor and Delivery Summary Mother’s Metadata

**\$MotherName**

/ClinicalDocument/patientRole/patient/name/suffix

**6.6.1.1.88.3 MSUFF Value Sets**

4325 NA

**6.6.1.1.89 HFT**

**6.6.1.1.89.1 HFT Derivation Rule**

IF (**\$VitalSignsTypeCode** CONTAINS ValueSet (*Height (NCHS)*)), THEN “HFT” **SHALL** = feet part of **\$VitalSignsResultValue** WHERE **\$VitalSignsResultUnits** are expressed in Feet and Inches

4330

**6.6.1.1.89.2 HFT LDS Source and Logic Variables**

Labor and Delivery Summary

Coded Detailed Physical Examination Section

1.3.6.1.4.1.19376.1.5.3.1.1.9.15.1

4335 Coded Vital Signs Section

1.3.6.1.4.1.19376.1.5.3.1.1.5.3.2

**\$VitalSignsTypeCode** =

ClinicalDocument/component/structuredBody/component/section[templateId[@root='1.3.6.1.4.1.19376.1.5.3.1.1.9.15.1']/component/section[templateId[@root='1.3.6.1.4.1.19376.1.5.3.1.1.5.3.2']]/entry/observation/code

4340

**\$VitalSignsResultValue** =

ClinicalDocument/component/structuredBody/component/section[templatedId[@root='1.3.6.1.4.1.19376.1.5.3.1.1.9.15.1']]/component/section[templatedId[@root='1.3.6.1.4.1.19376.1.5.3.1.1.5.3.2']]/entry/observation/value

4345 **\$VitalSignsResultUnits =**

ClinicalDocument/component/structuredBody/component/section[templatedId[@root='1.3.6.1.4.1.19376.1.5.3.1.1.9.15.1']]/component/section[templatedId[@root='1.3.6.1.4.1.19376.1.5.3.1.1.5.3.2']]/entry/observation/units

### 6.6.1.1.89.3 HFT Value Sets

4350 Height (NCHS) [1.3.6.1.4.1.19376.1.7.3.1.1.13.8.190](#)

### 6.6.1.1.90 HIN

#### 6.6.1.1.90.1 HINT Derivation Rule

4355 IF **\$VitalSignsTypeCode** CONTAINS ValueSet (Height (NCHS)), THEN “HIN” **SHALL =** Inches part of **\$VitalSignsResultValue** WHERE **\$VitalSignsResultUnits** are expressed in Feet and Inches

#### 6.6.1.1.90.2 HINT LDS Source and Logic Variables

Labor and Delivery Summary

Coded Detailed Physical Examination Section

1.3.6.1.4.1.19376.1.5.3.1.1.9.15.1

4360 Coded Vital Signs Section

1.3.6.1.4.1.19376.1.5.3.1.1.5.3.2

**\$VitalSignsTypeCode =**

4365 ClinicalDocument/component/structuredBody/component/section[templatedId[@root='1.3.6.1.4.1.19376.1.5.3.1.1.9.15.1']]/component/section[templatedId[@root='1.3.6.1.4.1.19376.1.5.3.1.1.5.3.2']]/entry/observation/code

**\$VitalSignsResultValue =**

ClinicalDocument/component/structuredBody/component/section[templatedId[@root='1.3.6.1.4.1.19376.1.5.3.1.1.9.15.1']]/component/section[templatedId[@root='1.3.6.1.4.1.19376.1.5.3.1.1.5.3.2']]/entry/observation/value

4370 **\$VitalSignsResultUnits =**

ClinicalDocument/component/structuredBody/component/section[templatedId[@root='1.3.6.1.4.1.19376.1.5.3.1.1.9.15.1']]/component/section[templatedId[@root='1.3.6.1.4.1.19376.1.5.3.1.1.5.3.2']]/entry/observation/units

### 6.6.1.1.90.3 HIN Value Sets

4375 Height (NCHS) [1.3.6.1.4.1.19376.1.7.3.1.1.13.8.190](#)

### 6.6.1.1.91 MRECNUM

#### 6.6.1.1.91.1 MRECNUM Derivation Rule

“MRECNUM” SHALL be populated using **\$MotherMedRecNum**

#### 6.6.1.1.91.2 MRECNUM LDS Source and Logic Variables

4380 Labor and Delivery Summary Mother’s Metadata

**\$MotherMedRecNum** =

/ClinicalDocument/patientRole/id

#### 6.6.1.1.91.3 MRECNUM Value Sets

NA

4385 **6.6.1.1.92 PWGT**

#### 6.6.1.1.92.1 PWGT Derivation Rule

IF **\$VitalSignsTypeCode** CONTAINS ValueSet (*Body Weight (NCHS)*) where **\$VitalSignsMethodCode** CONTAINS ValueSet (*Pre-Pregnancy Weight (NCHS)*), THEN “PWGT” SHALL = **\$VitalSignsResultValue**

4390 **6.6.1.1.92.2 PWGT LDS Source and Logic Variables**

Coded Detailed Physical Examination Section

1.3.6.1.4.1.19376.1.5.3.1.1.9.15.1

Coded Vital Signs Section

1.3.6.1.4.1.19376.1.5.3.1.1.5.3.2

4395 **\$VitalSignsTypeCode** =

ClinicalDocument/component/structuredBody/component/section[templatedId[@root='1.3.6.1.4.1.19376.1.5.3.1.1.9.15.1']/component/section[templatedId[@root='1.3.6.1.4.1.19376.1.5.3.1.1.5.3.2']]/entry/observation/code

**\$VitalSignsMethodCode** =

4400 ClinicalDocument/component/structuredBody/component/section[templatedId[@root='1.3.6.1.4.1.19376.1.5.3.1.1.9.15.1']/component/section[templatedId[@root='1.3.6.1.4.1.19376.1.5.3.1.1.5.3.2']]/entry/observation/methodCode

**\$VitalSignsResultValue =**

4405 ClinicalDocument/component/structuredBody/component/section[templateId[@root='1.3.6.1.4.1.19376.1.5.3.1.1.9.15.1']/component/section[templateId[@root='1.3.6.1.4.1.19376.1.5.3.1.1.5.3.2']]/entry/observation/value

**6.6.1.1.92.3 PWGT Value Sets**

Body Weight (NCHS) [2.16.840.1.114222.4.11.7421](#)

Pre-Pregnancy Weight (NCHS) [1.3.6.1.4.1.19376.1.7.3.1.1.13.8.118](#)

4410 **6.6.1.1.93 NFACL**

**6.6.1.1.93.1 NFACL Derivation Rule**

IF **\$AdmitSrc** CONTAINS value set (*Transfer In (NCHS)*) OR **\$ProblemCode** Contains Value Set (*Transferred for Maternal Medical or Fetal Indications for Delivery (NCHS)*), THEN **NFACL SHALL = \$ReferringFacilityName** ELSE **NFACL SHALL = NULL**

4415 **6.6.1.1.93.2 NFACL LDS Source and Logic Variables**

Labor and Delivery Summary Encompassing Encounter

**\$AdmitSrc =**

encompassingEncounter/sdtc:admissionSourceReferralCode

**\$ReferringFacilityName =**

4420 /encompassingEncounter/encounterParticipant[@typeCode='REF']/assignedEntity/representedOrganization

Labor and Delivery Section

1.3.6.1.4.1.19376.1.5.3.1.1.21.2.3

Active Problems Section

4425 1.3.6.1.4.1.19376.1.5.3.1.3.6

Problem Concern Entry

1.3.6.1.4.1.19376.1.5.3.1.4.5.2

**\$ProblemCode =**

4430 ClinicalDocument/component/structuredBody/component/section[templateId[@root='1.3.6.1.4.1.19376.1.5.3.1.3.6']]/entry/act/entryRelationship/observation/value

**6.6.1.1.93.3 NFACL Value Sets**

Transfer In (NCHS) [1.3.6.1.4.1.19376.1.7.3.1.1.13.8.177](#)

Transferred for Maternal Medical or Fetal Indications for Delivery (NCHS)

[1.3.6.1.4.1.19376.1.7.3.1.1.13.8.176](#)

4435 **6.6.1.1.94 TRAN**

**6.6.1.1.94.1 TRAN Derivation Rule**

IF **\$AdmitSrc** CONTAINS Value Set (*Transfer In (NCHS)*) OR **\$ProblemCode** CONTAINS Value Set (*Transferred for Maternal Medical or Fetal Indications for Delivery (NCHS)*), THEN “TRAN” SHALL = “Y” ELSE IF **\$AdmitSrc** NOT NULL, THEN TRAN SHALL = “N” ELSE  
4440 TRAN SHALL = “U”.

**6.6.1.1.94.2 TRAN LDS Source and Logic Variables**

Labor and Delivery Summary Encompassing Encounter

**\$AdmitSrc** =

encompassingEncounter/sdtc:admissionSourceReferralCode

4445 Labor and Delivery Section

1.3.6.1.4.1.19376.1.5.3.1.1.21.2.3

Active Problems Section

1.3.6.1.4.1.19376.1.5.3.1.3.6

Problem Concern Entry

4450 1.3.6.1.4.1.19376.1.5.3.1.4.5.2

**\$ProblemCode** =

ClinicalDocument/component/structuredBody/component/section[templateId[@root='1.3.6.1.4.1.19376.1.5.3.1.3.6']]/entry/act/entryRelationship/observation/value

**6.6.1.1.94.3 TRAN Value Sets**

4455 Transferred for Maternal Medical or Fetal Indications for Delivery (NCHS)

[1.3.6.1.4.1.19376.1.7.3.1.1.13.8.176](#)

Transfer In (NCHS)

[1.3.6.1.4.1.19376.1.7.3.1.1.13.8.177](#)

**6.6.1.1.95 DWGT**

4460 **6.6.1.1.95.1 DWGT Derivation Rule**

IF **\$VitalSignsTypeCode** CONTAINS ValueSet (*Body Weight (NCHS)*) where **\$VitalSignsMethodCode** CONTAINS ValueSet (*Mothers Delivery Weight (NCHS)*), THEN “DWGT” SHALL = **\$VitalSignsResultValue**

### 6.6.1.1.95.2 DWGT LDS Source and Logic Variables

4465 Coded Detailed Physical Examination Section

1.3.6.1.4.1.19376.1.5.3.1.1.9.15.1

Coded Vital Signs Section

1.3.6.1.4.1.19376.1.5.3.1.1.5.3.2

**\$VitalSignsTypeCode =**

4470 ClinicalDocument/component/structuredBody/component/section[templatedId[@root='1.3.6.1.4.1.19376.1.5.3.1.1.9.15.1']]/component/section[templatedId[@root='1.3.6.1.4.1.19376.1.5.3.1.1.5.3.2']]/entry/observation/code

**\$VitalSignsMethodCode =**

4475 ClinicalDocument/component/structuredBody/component/section[templatedId[@root='1.3.6.1.4.1.19376.1.5.3.1.1.9.15.1']]/component/section[templatedId[@root='1.3.6.1.4.1.19376.1.5.3.1.1.5.3.2']]/entry/observation/methodCode

**\$VitalSignsResultValue =**

4480 ClinicalDocument/component/structuredBody/component/section[templatedId[@root='1.3.6.1.4.1.19376.1.5.3.1.1.9.15.1']]/component/section[templatedId[@root='1.3.6.1.4.1.19376.1.5.3.1.1.5.3.2']]/entry/observation/value

### 6.6.1.1.95.3 DWGT Value Sets

Body Weight (NCHS) [2.16.840.1.114222.4.11.7421](#)

Mothers Delivery Weight (NCHS) [1.3.6.1.4.1.19376.1.7.3.1.1.13.8.120](#)

### 6.6.1.1.96 POPO

4485 **6.6.1.1.96.1 POPO Derivation Rule**

IF **\$PregnancyHistoryObservationCode** CONTAINS ValueSet (*Previous Other Pregnancy Outcomes (NCHS)*), THEN “POPO” SHALL = **\$PregnancyHistoryObservationValue**

### 6.6.1.1.96.2 POPO LDS Source and Logic Variables

Pregnancy History Section

4490 1.3.6.1.4.1.19376.1.5.3.1.1.5.3.4

Pregnancy Observation Entry

1.3.6.1.4.1.19376.1.5.3.1.4.13.5

**\$PregnancyHistoryObservationCode**



4495 ClinicalDocument/component/structuredBody/component/section[templateId[@root='1.3.6.1.4.1.19376.1.5.3.1.1.5.3.4']]entry/observation/code

**\$PregnancyHistoryObservationValue**

ClinicalDocument/component/structuredBody/component/section[templateId[@root='1.3.6.1.4.1.19376.1.5.3.1.1.5.3.4']]entry/observation/value

**6.6.1.1.96.3 POPO Value Sets**

4500 Previous Other Pregnancy Outcomes (NCHS) [1.3.6.1.4.1.19376.1.7.3.1.1.13.8.121](#)

**6.6.1.1.97 PLBD**

**6.6.1.1.97.1 PLBD Derivation Rule**

IF **\$PregnancyHistoryObservationCode** CONTAINS ValueSet (*Number of Previous Live Births Now Dead (NCHS)*), THEN “PLBD” SHALL = **\$PregnancyHistoryObservationValue**

4505 **6.6.1.1.97.2 PLBD LDS Source and Logic Variables**

Pregnancy History Section

1.3.6.1.4.1.19376.1.5.3.1.1.5.3.4

Pregnancy Observation Entry

1.3.6.1.4.1.19376.1.5.3.1.4.13.5

4510 **\$PregnancyHistoryObservationCode**

ClinicalDocument/component/structuredBody/component/section[templateId[@root='1.3.6.1.4.1.19376.1.5.3.1.1.5.3.4']]entry/observation/code

**\$PregnancyHistoryObservationValue**

4515 ClinicalDocument/component/structuredBody/component/section[templateId[@root='1.3.6.1.4.1.19376.1.5.3.1.1.5.3.4']]entry/observation/value

**6.6.1.1.97.3 PLBD Value Sets**

Number of Previous Live Births Now Dead (NCHS) [1.3.6.1.4.1.19376.1.7.3.1.1.13.8.122](#)

**6.6.1.1.98 PLBL**

**6.6.1.1.98.1 PLBL Derivation Rule**

4520 IF **\$PregnancyHistoryObservationCode** CONTAINS ValueSet (*Number of Previous Live Births Now Living (NCHS)*), THEN “PLBL” SHALL = **\$PregnancyHistoryObservationValue**

### 6.6.1.1.98.2 PLBL LDS Source and Logic Variables

Pregnancy History Section

1.3.6.1.4.1.19376.1.5.3.1.1.5.3.4

4525 Pregnancy Observation Entry

1.3.6.1.4.1.19376.1.5.3.1.4.13.5

#### **\$PregnancyHistoryObservationCode**

ClinicalDocument/component/structuredBody/component/section[templatedId[@root='1.3.6.1.4.1.19376.1.5.3.1.1.5.3.4']]/entry/observation/code

4530 **\$PregnancyHistoryObservationValue**

ClinicalDocument/component/structuredBody/component/section[templatedId[@root='1.3.6.1.4.1.19376.1.5.3.1.1.5.3.4']]/entry/observation/value

### 6.6.1.1.98.3 PLBL Value Sets

Number of Previous Live Births Now Living (NCHS) [1.3.6.1.4.1.19376.1.7.3.1.1.13.8.123](#)

4535 **6.6.1.1.99 OWGEST**

#### **6.6.1.1.99.1 OWGEST Derivation Rule**

IF **\$PregnancyHistoryObservationCode** CONTAINS ValueSet (Obstetric Estimate of Gestation (NCHS)), THEN “OWGEST” **SHALL** = **\$PregnancyHistoryObservationValue**

#### **6.6.1.1.99.2 OWGEST LDS Source and Logic Variables**

4540 Pregnancy History Section

1.3.6.1.4.1.19376.1.5.3.1.1.5.3.4

Pregnancy Observation Entry

1.3.6.1.4.1.19376.1.5.3.1.4.13.5

#### **\$PregnancyHistoryObservationCode**

4545 ClinicalDocument/component/structuredBody/component/section[templatedId[@root='1.3.6.1.4.1.19376.1.5.3.1.1.5.3.4']]/entry/observation/code

#### **\$PregnancyHistoryObservationValue**

ClinicalDocument/component/structuredBody/component/section[templatedId[@root='1.3.6.1.4.1.19376.1.5.3.1.1.5.3.4']]/entry/observation/value

4550 **6.6.1.1.99.3 OWGEST Value Sets**

Obstetric Estimate of Gestation (NCHS) [1.3.6.1.4.1.19376.1.7.3.1.1.13.8.124](#)

### 6.6.1.1.100 CERV

#### 6.6.1.1.100.1 CERV Derivation Rule

4555 IF **\$ProcedureCode** CONTAINS ValueSet (*Cervical Cerclage (NCHS)*), THEN “CERV”  
SHALL = ‘Y’ ELSE IF **\$ProcedureCode** = NULL THEN ‘U’ ELSE ‘N’

#### 6.6.1.1.100.2 CERV LDS Source and Logic Variables

Labor and Delivery Section

1.3.6.1.4.1.19376.1.5.3.1.1.21.2.3

Procedures and Interventions Section

4560 1.3.6.1.4.1.19376.1.5.3.1.1.13.2.11

Procedure Entry

1.3.6.1.4.1.19376.1.5.3.1.4.19

**\$ProcedureCode** =

4565 ClinicalDocument/  
component/structuredBody/component/section[templatedId[@root='1.3.6.1.4.1.19376.1.5.3.1.1.21.2.3']]/component/section[templatedId[@root='1.3.6.1.4.1.19376.1.5.3.1.1.13.2.11']]/entry/procedure/code

#### 6.6.1.1.100.3 CERV Value Sets

Cervical Cerclage (NCHS) [1.3.6.1.4.1.19376.1.7.3.1.1.13.8.125](#)

4570 **6.6.1.1.101 ECVF**

#### 6.6.1.1.101.1 ECVF Derivation Rule

IF **\$ProcedureCode** CONTAINS ValueSet (*External Cephalic Version (NCHS)*) as ‘INT’ and Negation=TRUE, THEN “ECVF” **SHALL** = ‘Y’ ELSE IF **\$ProcedureCode** = NULL THEN ‘U’ ELSE ‘N’

4575 **6.6.1.1.101.2 ECVF LDS Source and Logic Variables**

Labor and Delivery Section

1.3.6.1.4.1.19376.1.5.3.1.1.21.2.3

Procedures and Interventions Section

1.3.6.1.4.1.19376.1.5.3.1.1.13.2.11

4580 Procedure Entry

1.3.6.1.4.1.19376.1.5.3.1.4.19

**\$ProcedureCode =**

4585 ClinicalDocument/component/structuredBody/component/section[templated[@root='1.3.6.1.4.1.19376.1.5.3.1.1.21.2.3']]/component/section[templated[@root='1.3.6.1.4.1.19376.1.5.3.1.1.13.2.11']]/entry/procedure/code

**6.6.1.1.101.3 ECVF Value Sets**

External Cephalic Version (NCHS) [1.3.6.1.4.1.19376.1.7.3.1.1.13.8.127](#)

**6.6.1.1.102 ECVS**

**6.6.1.1.102.1 ECVS Derivation Rule**

4590 IF **\$ProcedureCode** CONTAINS ValueSet (*External Cephalic Version (NCHS)*), AND NOT (**'INT'** and Negation)=TRUE, THEN “ECVS” **SHALL** = ‘Y’ ELSE IF **\$ProcedureCode** = NULL THEN ‘U’ ELSE ‘N’

**6.6.1.1.102.2 ECVS LDS Source and Logic Variables**

Labor and Delivery Section

4595 1.3.6.1.4.1.19376.1.5.3.1.1.21.2.3

Procedures and Interventions Section

1.3.6.1.4.1.19376.1.5.3.1.1.13.2.11

Procedure Entry

1.3.6.1.4.1.19376.1.5.3.1.4.19

4600 **\$ProcedureCode =**

ClinicalDocument/component/structuredBody/component/section[templated[@root='1.3.6.1.4.1.19376.1.5.3.1.1.21.2.3']]/component/section[templated[@root='1.3.6.1.4.1.19376.1.5.3.1.1.13.2.11']]/entry/procedure/code

**6.6.1.1.102.3 ECVS Value Sets**

4605 External Cephalic Version (NCHS) [1.3.6.1.4.1.19376.1.7.3.1.1.13.8.127](#)

**6.6.1.1.103 TOC**

**6.6.1.1.103.1 TOC Derivation Rule**

IF **\$ProcedureCode** CONTAINS ValueSet (*Tocolysis (NCHS)*), THEN “TOC” **SHALL** = ‘Y’ ELSE IF **\$ProcedureCode** = NULL THEN ‘U’ ELSE ‘N’

4610 **6.6.1.1.103.2 TOC LDS Source and Logic Variables**

Labor and Delivery Section

1.3.6.1.4.1.19376.1.5.3.1.1.21.2.3

Procedures and Interventions Section

1.3.6.1.4.1.19376.1.5.3.1.1.13.2.11

4615 Procedure Entry

1.3.6.1.4.1.19376.1.5.3.1.4.19

**\$ProcedureCode =**

4620 ClinicalDocument/component/structuredBody/component/section[templateId[@root='1.3.6.1.4.1.19376.1.5.3.1.1.21.2.3']]/component/section[templateId[@root='1.3.6.1.4.1.19376.1.5.3.1.1.13.2.11']]/entry/procedure/code

### **6.6.1.1.103.3 TOC Value Sets**

Tocolysis (NCHS) [1.3.6.1.4.1.19376.1.7.3.1.1.13.8.128](#)

### **6.6.1.1.104 NOA03**

#### **6.6.1.1.104.1 NOA03 Derivation Rule**

4625 This SHALL require data entry and SHALL NOT be a result of a default from the other attributes in the list

#### **6.6.1.1.104.2 NOA03 LDS Source and Logic Variables**

Data Entry Required

#### **6.6.1.1.104.3 NOA03 Value Sets**

4630 NA

### **6.6.1.1.105 PROM**

#### **6.6.1.1.105.1 PROM Derivation Rule**

4635 IF **\$EventOutcomesObservationCode** CONTAINS ValueSet (*Premature Rupture (NCHS)*), THEN “PROM” SHALL = ‘Y’ ELSE IF **\$EventOutcomesObservationCode** = ‘NULL’ THEN “PROM” SHALL = ‘U’ ELSE “PROM” SHALL = ‘N’

#### **6.6.1.1.105.2 PROM LDS Source and Logic Variables**

Labor and Delivery Section

1.3.6.1.4.1.19376.1.5.3.1.1.21.2.3

Coded Event Outcomes Section

4640 1.3.6.1.4.1.19376.1.7.3.1.1.13.7

Problem Observation Entry

1.3.6.1.4.1.19376.1.5.3.1.4.5

**\$EventOutcomesObservationCode =**

4645 ClinicalDocument/component/structuredBody/component/section[templated[@root='1.3.6.1.4.1.19376.1.5.3.1.1.21.2.3']]/component/section[templated[@root='1.3.6.1.4.1.19376.1.7.3.1.1.13.7']]/entry/observation/value

**6.6.1.1.105.3 PROM Value Sets**

Premature Rupture (NCHS) [1.3.6.1.4.1.19376.1.7.3.1.1.13.8.129](#)

**6.6.1.1.106 PRIC**

4650 **6.6.1.1.106.1 PRIC Derivation Rule**

IF **\$EventOutcomesObservationCode** CONTAINS ValueSet (*Precipitous Labor (NCHS)*), THEN “PRIC” SHALL = ‘Y’ ELSE IF **\$EventOutcomesObservationCode** = ‘NULL’ THEN “PRIC” SHALL = ‘U’ ELSE “PRIC” SHALL = ‘N’

**6.6.1.1.106.2 PRIC LDS Source and Logic Variables**

4655 Labor and Delivery Section

1.3.6.1.4.1.19376.1.5.3.1.1.21.2.3

Coded Event Outcomes Section

1.3.6.1.4.1.19376.1.7.3.1.1.13.7

Problem Observation Entry

4660 1.3.6.1.4.1.19376.1.5.3.1.4.5

**\$EventOutcomesObservationCode =**

ClinicalDocument/component/structuredBody/component/section[templated[@root='1.3.6.1.4.1.19376.1.5.3.1.1.21.2.3']]/component/section[templated[@root='1.3.6.1.4.1.19376.1.7.3.1.1.13.7']]/entry/observation/value

4665 **6.6.1.1.106.3 PRIC Value Sets**

Precipitous Labor (NCHS) [1.3.6.1.4.1.19376.1.7.3.1.1.13.8.130](#)

### 6.6.1.1.107 PROL

#### 6.6.1.1.107.1 PROL Derivation Rule

4670 IF **\$EventOutcomesObservationCode** CONTAINS ValueSet (*Prolonged Labor (NCHS)*),  
THEN “PROL” SHALL = ‘Y’ ELSE IF **\$EventOutcomesObservationCode** = ‘NULL’ THEN  
“PROL” SHALL = ‘U’ ELSE “PROL” SHALL = ‘N’

#### 6.6.1.1.107.2 PROL LDS Source and Logic Variables

Labor and Delivery Section

1.3.6.1.4.1.19376.1.5.3.1.1.21.2.3

4675 Coded Event Outcomes Section

1.3.6.1.4.1.19376.1.7.3.1.1.13.7

Problem Observation Entry

1.3.6.1.4.1.19376.1.5.3.1.4.5

**\$EventOutcomesObservationCode** =

4680 ClinicalDocument/component/structuredBody/component/section[templated[@root='1.3.6.1.4.1.19376.1.5.3.1.1.21.2.3']]/component/section[templated[@root='1.3.6.1.4.1.19376.1.7.3.1.1.13.7']]/entry/observation/value

#### 6.6.1.1.107.3 PROL Value Sets

Prolonged Labor (NCHS) [1.3.6.1.4.1.19376.1.7.3.1.1.13.8.131](#)

4685 **6.6.1.1.108 NOA05**

#### 6.6.1.1.108.1 NOA05 Derivation Rule

This SHALL require data entry and SHALL NOT be a result of a default from the other attributes in the list

#### 6.6.1.1.108.2 NOA05 LDS Source and Logic Variables

4690 Data Entry Required

#### 6.6.1.1.108.3 NOA05 Value Sets

NA

#### 6.6.1.1.109 SFN

#### 6.6.1.1.109.1 SFN Derivation Rule

4695 “SFN” SHALL be populated using **\$BabyFacilityStateID**

### **6.6.1.1.109.2 SFN LDS Source and Logic Variables**

Labor and Delivery Summary Header

#### **\$BabyFacilityStateID**

/ClinicalDocument/componentOf/encompassingEncounter/ location/healthCareFacility/location/id

### 4700 **6.6.1.1.109.3 SFN Value Sets**

NA

### **6.6.1.1.110 FLOC**

#### **6.6.1.1.110.1 FLOC Derivation Rule**

Derivation Rule

4705 “FLOC” SHALL = City/Town part of **\$BabyFacilityLocation**

#### **6.6.1.1.110.2 FLOC LDS Source and Logic Variables**

##### **\$BabyFacilityLocation**

ClinicalDocument/component/structuredBody

/component/section/templateId[@root='1.3.6.1.4.1.19376.1.5.3.1.1.21.2.4']

4710 /relatedSubject/code[@code='NCHILD' AND id=idOfTheChild]/ addr/city

#### **6.6.1.1.110.3 FLOC Value Sets**

NA

### **6.6.1.1.111 CNAME**

#### **6.6.1.1.111.1 CNAME Derivation Rule**

4715 “CNAME” SHALL = County name part of **\$BabyFacilityLocation**

#### **6.6.1.1.111.2 CNAME LDS Source and Logic Variables**

##### **\$BabyFacilityLocation**

ClinicalDocument/component/structuredBody/component/section/templateId[@root='1.3.6.1.4.1.19376.1.5.3.1.1.21.2.4'] /relatedSubject/code[@code='NCHILD' AND id=idOfTheChild]/ addr/county

### 4720 **6.6.1.1.111.3 CNAME Value Sets**

NA



### 6.6.1.1.112 CNTYO

#### 6.6.1.1.112.1 CNTYO Derivation Rule

“CNTYO” SHALL = County Code part of **\$BabyFacilityLocation**

#### 4725 6.6.1.1.112.2 CNTYO LDS Source and Logic Variables

##### **\$BabyFacilityLocation**

ClinicalDocument/component/structuredBody/component/section/templatedId[@root='1.3.6.1.4.1.19376.1.5.3.1.1.21.2.4']/relatedSubject/code[@code='NCHILD' AND id=idOfTheChild]/addr/county

#### 6.6.1.1.112.3 CNTYO Value Sets

4730 NA

### 6.6.1.1.113 BPLACE

#### 6.6.1.1.113.1 BPLACE Derivation Rule

4735 IF **\$EventOutcomesObservationCode** CONTAINS ValueSet (*Birthplace Setting (NCHS)*) THEN IF **\$EventOutcomesObservationValue** CONTAINS ValueSet (*Birthplace Hospital (NCHS)*) THEN BPLACE SHALL = ‘1’ ELSE IF **\$EventOutcomesObservationValue** CONTAINS ValueSet (*Birth Place Freestanding Birthing Center (NCHS)*) THEN BPLACE SHALL = ‘2’ ELSE IF **\$EventOutcomesObservationValue** CONTAINS ValueSet (*Birth Place Home Intended (NCHS)*) THEN BPLACE SHALL = ‘3’ ELSE IF **\$EventOutcomesObservationValue** CONTAINS ValueSet (*Birth Place Home Unintended (NCHS)*) THEN BPLACE SHALL = ‘4’ ELSE IF **\$EventOutcomesObservationValue** CONTAINS ValueSet (*Birth Place Home Unknown Intention (NCHS)*) THEN BPLACE SHALL = ‘5’ ELSE IF **\$EventOutcomesObservationValue** CONTAINS ValueSet (*Birthplace Clinic Office (NCHS)*) THEN BPLACE SHALL = ‘6’ ELSE BPLACE SHALL = ‘7’

#### 6.6.1.1.113.2 BPLACE LDS Source and Logic Variables

4745 Newborn Delivery Information Section

1.3.6.1.4.1.19376.1.5.3.1.1.21.2.4

Coded Event Outcomes Section

1.3.6.1.4.1.19376.1.7.3.1.1.13.7

Simple Observation

4750 1.3.6.1.4.1.19376.1.5.3.1.4.13

##### **\$EventOutcomesObservationCode** =

ClinicalDocument/component/structuredBody/component/section[templatedId[@root='1.3.6.1.4.1.19376.1.5.3.1.1.21.2.4']]/subject/relatedSubject/code[@code='NCHILD' AND

4755 id=idOfTheChild]/component/section[templatedId[@root='1.3.6.1.4.1.19376.1.7.3.1.1.13.7']]/entryobservation/code

**\$EventOutcomesObservationValue =**

4760 ClinicalDocument/component/structuredBody/component/section[templatedId[@root='1.3.6.1.4.1.19376.1.5.3.1.1.21.2.4']]/subject/relatedSubject/code[@code='NCHILD' AND id=idOfTheChild]/component/section[templatedId[@root='1.3.6.1.4.1.19376.1.7.3.1.1.13.7']]/entryobservation/value

**6.6.1.1.113.3 BPLACE Value Sets**

Birthplace Setting (NCHS)	<a href="#">1.3.6.1.4.1.19376.1.7.3.1.1.13.8.184</a>
Birthplace Hospital (NCHS)	<a href="#">1.3.6.1.4.1.19376.1.7.3.1.1.13.8.192</a>
Birth Place Home Intended (NCHS)	<a href="#">1.3.6.1.4.1.19376.1.7.3.1.1.13.8.193</a>
4765 Birth Place Home Unintended (NCHS)	<a href="#">1.3.6.1.4.1.19376.1.7.3.1.1.13.8.194</a>
Birth Place Home Unknown Intention (NCHS)	<a href="#">1.3.6.1.4.1.19376.1.7.3.1.1.13.8.195</a>
Birthplace Clinic Office (NCHS)	<a href="#">1.3.6.1.4.1.19376.1.7.3.1.1.13.8.197</a>
Birth Place Freestanding Birthing Center (NCHS)	<a href="#">1.3.6.1.4.1.19376.1.7.3.1.1.13.8.196</a>

**6.6.1.1.114 PLUR**

4770 **6.6.1.1.114.1 PLUR Derivation Rule**

IF **\$EventOutcomesObservationCode** CONTAINS ValueSet (*Birth Plurality of Delivery (NCHS)*), THEN “PLUR” SHALL = **\$EventOutcomesObservationValue**

**6.6.1.1.114.2 PLUR LDS Source and Logic Variables**

Labor and Delivery Events  
4775 1.3.6.1.4.1.19376.1.5.3.1.1.21.2.3  
Coded Event Outcomes Section  
1.3.6.1.4.1.19376.1.7.3.1.1.13.7  
Simple Observation  
1.3.6.1.4.1.19376.1.5.3.1.4.13

4780 **\$EventOutcomesObservationCode =**

ClinicalDocument/component/structuredBody/component/section[templatedId[@root='1.3.6.1.4.1.19376.1.5.3.1.1.21.2.3']]/component/section[templatedId[@root='1.3.6.1.4.1.19376.1.7.3.1.1.13.7']]/entry/act/entryRelationship/observation/code

4785 **\$EventOutcomesObservationCode =**

ClinicalDocument/component/structuredBody/component/section[templatedId[@root='1.3.6.1.4.1.19376.1.5.3.1.1.21.2.3']]/component/section[templatedId[@root='1.3.6.1.4.1.19376.1.5.3.1.4.13.7']]/entry/act/entryRelationship/observation/code

**\$EventOutcomesObservationValue =**

4790 ClinicalDocument/component/structuredBody/component/section[templatedId[@root='1.3.6.1.4.1.19376.1.5.3.1.1.21.2.3']]/component/section[templatedId[@root='1.3.6.1.4.1.19376.1.5.3.1.4.13.7']]/entry/act/entryRelationship/observation/value

### 6.6.1.1.114.3 PLUR Value Sets

Birth Plurality of Delivery (NCHS) [1.3.6.1.4.1.19376.1.7.3.1.1.13.8.132](#)

4795 **6.6.1.1.115 DOFP\_MO**

#### 6.6.1.1.115.1 DOFP\_MO Derivation Rule

4800 IF **\$PregnancyHistoryObservationCode** CONTAINS ValueSet (*First Prenatal Care Visit (NCHS)*) THEN (IF **\$PregnancyHistoryObservationValue** NOT NULL THEN “DOFP\_MO” SHALL = the Month part of **\$PregnancyHistoryObservationValue** WHERE the Month is represented using 2-digits ELSE DOFP\_MO” SHALL = ‘88’) ELSE “DOFP\_MO” SHALL = ‘99’

#### 6.6.1.1.115.2 DOFP\_MO LDS Source and Logic Variables

Pregnancy History Section

1.3.6.1.4.1.19376.1.5.3.1.1.5.3.4

4805 Pregnancy Observation Entry

1.3.6.1.4.1.19376.1.5.3.1.4.13.5

**\$PregnancyHistoryObservationCode =**

ClinicalDocument/component/structuredBody/component/section[templatedId[@root='1.3.6.1.4.1.19376.1.5.3.1.1.5.3.4']]/entry/observation/code

4810 **\$PregnancyHistoryObservationValue =**

ClinicalDocument/component/structuredBody/component/section[templatedId[@root='1.3.6.1.4.1.19376.1.5.3.1.1.5.3.4']]/entry/observation/value

#### 6.6.1.1.115.3 DOFP\_MO Value Sets

First Prenatal Care Visit (NCHS) [1.3.6.1.4.1.19376.1.7.3.1.1.13.8.133](#)

4815 **6.6.1.1.116 DOFP\_DY**

**6.6.1.1.116.1 DOFP\_DY Derivation Rule**

IF **\$PregnancyHistoryObservationCode** CONTAINS ValueSet (*First Prenatal Care Visit (NCHS)*) THEN (IF **\$PregnancyHistoryObservationValue** NOT NULL THEN “DOFP\_DY” SHALL CONTAINS the Day part of **\$PregnancyHistoryObservationValue** WHERE the Day is represented using 2-digits ELSE DOFP\_DY” SHALL = ‘88’) ELSE “DOFP\_DY” SHALL = ‘99’

**6.6.1.1.116.2 DOFP\_DY LDS Source and Logic Variables**

Pregnancy History Section

1.3.6.1.4.1.19376.1.5.3.1.1.5.3.4

4825 Pregnancy Observation Entry

1.3.6.1.4.1.19376.1.5.3.1.4.13.5

**\$PregnancyHistoryObservationCode** =

ClinicalDocument/component/structuredBody/component/section[templated[@root='1.3.6.1.4.1.19376.1.5.3.1.1.5.3.4']]/entry/observation/code

4830 **\$PregnancyHistoryObservationValue** =

ClinicalDocument/component/structuredBody/component/section[templated[@root='1.3.6.1.4.1.19376.1.5.3.1.1.5.3.4']]/entry/observation/value

**6.6.1.1.116.3 DOFP\_DY Value Sets**

First Prenatal Care Visit (NCHS) [1.3.6.1.4.1.19376.1.7.3.1.1.13.8.133](#)

4835 **6.6.1.1.117 DOFP\_YR**

**6.6.1.1.117.1 DOFP\_YR Derivation Rule**

IF **\$PregnancyHistoryObservationCode** CONTAINS ValueSet (*First Prenatal Care Visit (NCHS)*), THEN (IF **\$PregnancyHistoryObservationValue** NOT NULL THEN “DOFP\_YR” SHALL = the Year part of **\$PregnancyHistoryObservationValue** WHERE the Year is represented using 4-digits ELSE DOFP\_YR” SHALL = ‘8888’) ELSE “DOFP\_YR” SHALL = ‘9999’

**6.6.1.1.117.2 DOFP\_YR LDS Source and Logic Variables**

Pregnancy History Section

1.3.6.1.4.1.19376.1.5.3.1.1.5.3.4

4845 Pregnancy Observation Entry

1.3.6.1.4.1.19376.1.5.3.1.4.13.5

**\$PregnancyHistoryObservationCode =**

ClinicalDocument/component/structuredBody/component/section[templateId[@root='1.3.6.1.4.1.19376.1.5.3.1.1.5.3.4']]/entry/observation/code

4850 **\$PregnancyHistoryObservationValue =**

ClinicalDocument/component/structuredBody/component/section[templateId[@root='1.3.6.1.4.1.19376.1.5.3.1.1.5.3.4']]/entry/observation/value

### **6.6.1.1.117.3 DOFP\_YR Value Sets**

First Prenatal Care Visit (NCHS) [1.3.6.1.4.1.19376.1.7.3.1.1.13.8.133](#)

4855 **6.6.1.1.118 NPREV**

### **6.6.1.1.118.1 NPREV Derivation Rule**

IF **\$PregnancyHistoryObservationCode** CONTAINS ValueSet (*Number Prenatal Care Visits (NCHS)*), THEN “NPREV” SHALL = **\$PregnancyHistoryObservationValue**

### **6.6.1.1.118.2 NPREV LDS Source and Logic Variables**

4860 Pregnancy History Section

1.3.6.1.4.1.19376.1.5.3.1.1.5.3.4

Pregnancy Observation Entry

1.3.6.1.4.1.19376.1.5.3.1.4.13.5

**\$PregnancyHistoryObservationCode =**

4865 ClinicalDocument/component/structuredBody/component/section[templateId[@root='1.3.6.1.4.1.19376.1.5.3.1.1.5.3.4']]/entry/observation/code

**\$PregnancyHistoryObservationValue =**

ClinicalDocument/component/structuredBody/component/section[templateId[@root='1.3.6.1.4.1.19376.1.5.3.1.1.5.3.4']]/entry/observation/value

4870 **6.6.1.1.118.3 NPREV Value Sets**

Number Prenatal Care Visits (NCHS) [1.3.6.1.4.1.19376.1.7.3.1.1.13.8.135](#)

### **6.6.1.1.119 PAY**

### **6.6.1.1.119.1 PAY Derivation Rule**

4875 NOTE: The US-Specific codes associated with this value set are not yet mapped to the form data from HITSP selected ANSI X12 Values. Until such time as these codes are mapped, this attribute will require implementation-specific mapping.

### 6.6.1.1.119.2 PAY LDS Source and Logic Variables

Payers

1.3.6.1.4.1.19376.1.5.3.1.1.5.3.7

Coverage Entry

4880 1.3.6.1.4.1.19376.1.5.3.1.4.17

### 6.6.1.1.119.3 PAY Value Sets

NA

### 6.6.1.1.120 PDIAB

#### 6.6.1.1.120.1 PDIAB Derivation Rule

4885 IF **\$PregnancyHistoryObservationCode** CONTAINS ValueSet (*Prepregnancy Diabetes (NCHS)*), THEN “PDIAB” SHALL = ‘Y’ ELSE IF **\$PregnancyHistoryObservationCode** = ‘NULL’ THEN “PDIAB” SHALL = ‘U’ ELSE “PDIAB” SHALL = ‘N’

#### 6.6.1.1.120.2 PDIAB LDS Source and Logic Variables

Pregnancy History Section

4890 1.3.6.1.4.1.19376.1.5.3.1.1.5.3.4

Pregnancy Observation Entry

1.3.6.1.4.1.19376.1.5.3.1.4.13.5

**\$PregnancyHistoryObservationCode** =

4895 ClinicalDocument/component/structuredBody/component/section[templateId[@root='1.3.6.1.4.1.19376.1.5.3.1.1.5.3.4']] entry /observation/code

#### 6.6.1.1.120.3 PDIAB Value Sets

Prepregnancy Diabetes (NCHS) <1.3.6.1.4.1.19376.1.7.3.1.1.13.8.136>

### 6.6.1.1.121 GDIAB

#### 6.6.1.1.121.1 GDIAB Derivation Rule

4900 IF **\$PregnancyHistoryObservationCode** CONTAINS ValueSet (*Gestational Diabetes (NCHS)*), THEN “GDIAB” SHALL = ‘Y’ ELSE IF **\$PregnancyHistoryObservationCode** = ‘NULL’ THEN “GDIAB” SHALL = ‘U’ ELSE “GDIAB” SHALL = ‘N’

#### 6.6.1.1.121.2 GDIAB LDS Source and Logic Variables

Pregnancy History Section

4905 1.3.6.1.4.1.19376.1.5.3.1.1.5.3.4

Pregnancy Observation Entry

1.3.6.1.4.1.19376.1.5.3.1.4.13.5

**\$PregnancyHistoryObservationCode =**

4910 ClinicalDocument/  
component/structuredBody/component/section[templateId[@root='1.3.6.1.4.1.19376.1.5.3.1.1.5.3.4']]/ entry /observation/code

### **6.6.1.1.121.3 GDIAB Value Sets**

Gestational Diabetes (NCHS) [1.3.6.1.4.1.19376.1.7.3.1.1.13.8.137](#)

### **6.6.1.1.122 PHYPE**

4915 **6.6.1.1.122.1 PHYPE Derivation Rule**

IF **\$PregnancyHistoryObservationCode** CONTAINS ValueSet (*Prepregnancy Hypertension (NCHS)*) AND NOT **\$PregnancyHistoryObservationCode** CONTAINS (*Gestational Hypertension (NCHS)*) THEN “PHYPE” SHALL = ‘Y’ ELSE IF

4920 **\$PregnancyHistoryObservationCode** = ‘NULL’ THEN “PHYPE” SHALL = ‘U’ ELSE  
“PHYPE” SHALL = ‘N’

### **6.6.1.1.122.2 PHYPE LDS Source and Logic Variables**

Pregnancy History Section

1.3.6.1.4.1.19376.1.5.3.1.1.5.3.4

Pregnancy Observation Entry

4925 1.3.6.1.4.1.19376.1.5.3.1.4.13.5

**\$PregnancyHistoryObservationCode =**

ClinicalDocument/  
component/structuredBody/component/section[templateId[@root='1.3.6.1.4.1.19376.1.5.3.1.1.5.3.4']]/ entry/ observation/code

4930 **6.6.1.1.122.3 PHYPE Value Sets**

Prepregnancy Hypertension (NCHS) [1.3.6.1.4.1.19376.1.7.3.1.1.13.8.138](#)

Gestational Hypertension (NCHS) [1.3.6.1.4.1.19376.1.7.3.1.1.13.8.139](#)

### 6.6.1.1.123 GHYPE

#### 6.6.1.1.123.1 GHYPE Derivation Rule

4935 IF **\$PregnancyHistoryObservationCode** CONTAINS ValueSet (*Gestational Hypertension (NCHS)*) AND NOT **\$PregnancyHistoryObservationCode** CONTAINS (*Prepregnancy Hypertension (NCHS)*) THEN “GHYPE” SHALL = ‘Y’ ELSE IF **\$PregnancyHistoryObservationCode** = ‘NULL’ THEN “GHYPE” SHALL = ‘U’ ELSE “GHYPE” SHALL = ‘N’

#### 4940 6.6.1.1.123.2 GHYPE LDS Source and Logic Variables

Pregnancy History Section

1.3.6.1.4.1.19376.1.5.3.1.1.5.3.4

Pregnancy Observation Entry

1.3.6.1.4.1.19376.1.5.3.1.4.13.5

4945 **\$PregnancyHistoryObservationCode** =

ClinicalDocument/  
component/structuredBody/component/section[templateId[@root='1.3.6.1.4.1.19376.1.5.3.1.1.5.3.4']]/ entry/ observation/code

#### 6.6.1.1.123.3 GHYPE Value Sets

4950 Gestational Hypertension (NCHS) [1.3.6.1.4.1.19376.1.7.3.1.1.13.8.139](#)

Prepregnancy Hypertension (NCHS) [1.3.6.1.4.1.19376.1.7.3.1.1.13.8.138](#)

### 6.6.1.1.124 EHYPE

#### 6.6.1.1.124.1 EHYPE Derivation Rule

4955 IF **\$PregnancyHistoryObservationCode** CONTAINS ValueSet (*Eclampsia (NCHS)*), THEN “EHYPE” SHALL = ‘Y’ ELSE IF **\$PregnancyHistoryObservationCode** = ‘NULL’ THEN “EHYPE” SHALL = ‘U’ ELSE “EHYPE” SHALL = ‘N’

#### 6.6.1.1.124.2 EHYPE LDS Source and Logic Variables

Pregnancy History Section

1.3.6.1.4.1.19376.1.5.3.1.1.5.3.4

4960 Pregnancy Observation Entry

1.3.6.1.4.1.19376.1.5.3.1.4.13.5



**\$PregnancyHistoryObservationCode =**

4965 ClinicalDocument/  
component/structuredBody/component/section[templateId[@root='1.3.6.1.4.1.19376.1.5.3.1.1.5.3.4']]/ entry/ observation/code

**6.6.1.1.124.3 EHYPE Value Sets**

Eclampsia (NCHS) [1.3.6.1.4.1.19376.1.7.3.1.1.13.8.140](#)

**6.6.1.1.125 PPB**

**6.6.1.1.125.1 PPB Derivation Rule**

4970 IF \$PregnancyHistoryObservationCode CONTAINS ValueSet(*Preterm Birth (NCHS)*) OR (\$PregnancyHistoryObservationCode CONTAINS ValueSet (*Number of Preterm Births (NCHS)*) AND \$PregnancyHistoryObservationValue >0) THEN “PPB” SHALL = ‘Y’ ELSE IF \$PregnancyHistoryObservationCode = ‘NULL’ THEN “PPB” SHALL = ‘U’ ELSE “PPB” SHALL = ‘N’

4975 **6.6.1.1.125.2 PPB LDS Source and Logic Variables**

Pregnancy History Section

1.3.6.1.4.1.19376.1.5.3.1.1.5.3.4

Pregnancy Observation Entry

1.3.6.1.4.1.19376.1.5.3.1.4.13.5

4980 **\$PregnancyHistoryObservationCode =**

ClinicalDocument/  
component/structuredBody/component/section[templateId[@root='1.3.6.1.4.1.19376.1.5.3.1.1.5.3.4']]/ entry/ observation/code

**\$PregnancyHistoryObservationValue =**

4985 ClinicalDocument/  
component/structuredBody/component/section[templateId[@root='1.3.6.1.4.1.19376.1.5.3.1.1.5.3.4']]/ entry/ observation/value

**6.6.1.1.125.3 PPB Value Sets**

Preterm Birth (NCHS) [1.3.6.1.4.1.19376.1.7.3.1.1.13.8.141](#)

4990 Number of Preterm Births (NCHS) [1.3.6.1.4.1.19376.1.7.3.1.1.13.8.187](#)

### 6.6.1.1.126 INFT

#### 6.6.1.1.126.1 INFT Derivation Rule

4995 IF **\$PregnancyHistoryObservationCode** CONTAINS ValueSet (*Infertility Treatment (NCHS)*)  
THEN “INFT” SHALL = ‘Y’ ELSE IF **\$PregnancyHistoryObservationCode** = ‘NULL’  
THEN “INFT” SHALL = ‘U’ ELSE “INFT” SHALL = ‘N’

#### 6.6.1.1.126.2 INFT LDS Source and Logic Variables

Pregnancy History Section

1.3.6.1.4.1.19376.1.5.3.1.1.5.3.4

Pregnancy Observation Entry

5000 1.3.6.1.4.1.19376.1.5.3.1.4.13.5

**\$PregnancyHistoryObservationCode** =

ClinicalDocument/

component/structuredBody/component/section[templateId[@root='1.3.6.1.4.1.19376.1.5.3.1.1.5.3.4'  
'entry/observation/code

#### 5005 6.6.1.1.126.3 INFT Value Sets

Infertility Treatment (NCHS) [1.3.6.1.4.1.19376.1.7.3.1.1.13.8.143](#)

### 6.6.1.1.127 INFT\_DRG

#### 6.6.1.1.127.1 INFT\_DRG Derivation Rule

5010 IF **\$CodedProductName** CONTAINS ValueSet (*Fertility Enhancing Drugs Medications (NCHS)*) THEN “INFT\_DRG” SHALL = ‘Y’ ELSE IF **\$PregnancyHistoryObservationCode**  
CONTAINS (*Artificial or Intrauterine Insemination (NCHS)*) THEN “INFT\_DRG” SHALL =  
‘Y’ ELSE IF **\$PregnancyHistoryObservationCode** CONTAINS ValueSet (*Pregnancy  
Resulting From Fertility Enhancing Drugs (NCHS)*) THEN INFT\_DRG SHALL = ‘Y’ ELSE  
5015 (IF (**\$CodedProductName** = ‘NULL’) AND (**\$PregnancyHistoryObservationCode** =  
‘NULL’) THEN “INFT\_DRG” SHALL = ‘U’) ELSE “INFT\_DRG” SHALL = ‘N’

#### 6.6.1.1.127.2 INFT\_DRG LDS Source and Logic Variables

Admission Medication History Section

1.3.6.1.4.1.19376.1.5.3.1.3.20

Medication Entry

5020 1.3.6.1.4.1.19376.1.5.3.1.4.7

**\$CodedProductName** =

ClinicalDocument/component/structuredBody/component/section[templateId[@root='1.3.6.1.4.1.19376.1.5.3.1.3.21']] /entry/substanceAdministration/consumable/manufacturedProduct/labeledDrug/code

5025 Pregnancy History Section

1.3.6.1.4.1.19376.1.5.3.1.1.5.3.4

Pregnancy Observation Entry

1.3.6.1.4.1.19376.1.5.3.1.4.13.5

**\$PregnancyHistoryObservationCode =**

5030 ClinicalDocument/  
component/structuredBody/component/section[templateId[@root='1.3.6.1.4.1.19376.1.5.3.1.1.5.3.4']  
] / entry/ observation/code

### 6.6.1.1.127.3 INFT\_DRG Value Sets

Fertility Enhancing Drugs Medications (NCHS) [1.3.6.1.4.1.19376.1.7.3.1.1.13.8.144](#)

5035 Artificial or Intrauterine Insemination (NCHS) [1.3.6.1.4.1.19376.1.7.3.1.1.13.8.145](#)

Pregnancy Resulting From Fertility Enhancing Drugs (NCHS) [2.16.840.1.114222.4.11.7423](#)

### 6.6.1.1.128 INFT\_ART

#### 6.6.1.1.128.1 INFT\_ART Derivation Rule

5040 IF **\$PregnancyHistoryObservationCode** CONTAINS ValueSet (*Assistive Reproductive Technology (NCHS)*) THEN “INFT\_ART” SHALL = ‘Y’ ELSE IF **\$PregnancyHistoryObservationCode** = ‘NULL’ THEN “INFT\_ART” SHALL = ‘U’ ELSE “INFT\_ART” SHALL = ‘N’

#### 6.6.1.1.128.2 INFT\_ART LDS Source and Logic Variables

Pregnancy History Section

5045 1.3.6.1.4.1.19376.1.5.3.1.1.5.3.4

Pregnancy Observation Entry

1.3.6.1.4.1.19376.1.5.3.1.4.13.5

**\$PregnancyHistoryObservationCode =**

5050 ClinicalDocument/  
component/structuredBody/component/section[templateId[@root='1.3.6.1.4.1.19376.1.5.3.1.1.5.3.4'  
']] / entry/ observation/code

### 6.6.1.1.128.3 INFT\_ART Value Sets

Assistive Reproductive Technology (NCHS) [1.3.6.1.4.1.19376.1.7.3.1.1.13.8.146](#)

### 6.6.1.1.129 PCES

#### 5055 6.6.1.1.129.1 PCES Derivation Rule

IF **\$PregnancyHistoryObservationValue** CONTAINS ValueSet (*Previous Cesarean (NCHS)*) THEN “PCES” SHALL = ‘Y’ ELSE IF **\$PregnancyHistoryObservationCode** = ‘NULL’ THEN “PCES” SHALL = ‘U’ ELSE “PCES” SHALL = ‘N’

#### 6.6.1.1.129.2 PCES LDS Source and Logic Variables

5060 Pregnancy History Section

1.3.6.1.4.1.19376.1.5.3.1.1.5.3.4

Pregnancy Observation Entry

1.3.6.1.4.1.19376.1.5.3.1.4.13.5

**\$PregnancyHistoryObservationValue** =

5065 ClinicalDocument/  
component/structuredBody/component/section[templateId[@root='1.3.6.1.4.1.19376.1.5.3.1.1.5.3.4']]/ entry/ observation/code

#### 6.6.1.1.129.3 PCES Value Sets

Previous Cesarean (NCHS) [2.16.840.1.114222.4.11.7165](#)

#### 5070 6.6.1.1.130 NPCES

##### 6.6.1.1.130.1 NPCES Derivation Rule

IF **\$PregnancyHistoryObservationCode** CONTAINS ValueSet (*Number of Previous Cesareans (NCHS)*), THEN “NPCES” SHALL = **\$PregnancyHistoryObservationValue**

##### 6.6.1.1.130.2 NPCES LDS Source and Logic Variables

5075 Pregnancy History Section

1.3.6.1.4.1.19376.1.5.3.1.1.5.3.4

Pregnancy Observation Entry

1.3.6.1.4.1.19376.1.5.3.1.4.13.5

**\$PregnancyHistoryObservationCode =**

5080 ClinicalDocument/  
component/structuredBody/component/section[templateId[@root='1.3.6.1.4.1.19376.1.5.3.1.1.5.3.4']  
]/ entry/ observation/code

**\$PregnancyHistoryObservationValue =**

5085 ClinicalDocument/  
component/structuredBody/component/section[templateId[@root='1.3.6.1.4.1.19376.1.5.3.1.1.5.3.4']  
]/ entry/ observation/value

**6.6.1.1.130.3 NPCES Value Sets**

Number of Previous Cesareans (NCHS) [1.3.6.1.4.1.19376.1.7.3.1.1.13.8.148](#)

**6.6.1.1.131 NOA01**

5090 **6.6.1.1.131.1 NOA01 Derivation Rule**

This attribute SHALL NOT be determined by default. If there are no other risk factors identified through other attributes, the form manager SHALL require data entry to assure the accuracy of the data.

**6.6.1.1.131.2 NOA01 LDS Source and Logic Variables**

5095 NA

**6.6.1.1.131.3 NOA01 Value Sets**

NA

**6.6.1.1.132 SORD**

**6.6.1.1.132.1 SORD Derivation Rule**

5100 IF \$MultipleBirthInd='Y' THEN "SORD" SHALL be populated using \$MultipleBirthOrder AND using '99' where not known ELSE IF Multiple Birth ='N' "SORD" SHALL = '88'

**6.6.1.1.132.2 SORD LDS Source and Logic Variables**

Labor and Delivery Summary Labor and Delivery

1.3.6.1.4.1.19376.1.5.3.1.1.21.2.3

5105 Multiple Birth Indication

Coded Event Outcome

1.3.6.1.4.1.19376.1.7.3.1.1.13.7

**\$MultipleBirthInd**

5110 ClinicalDocument/component/structuredBody/component/section/templatedId[@root='1.3.6.1.4.1.19376.1.5.3.1.1.21.2.4']/ subject/relatedSubject/code[@code='NCHILD' AND id=idOfTheChild]/ subject/sdtc:multipleBirthInd

**\$MultipleBirthOrder**

5115 ClinicalDocument/component/structuredBody/component/section/templatedId[@root='1.3.6.1.4.1.19376.1.5.3.1.1.21.2.4']/ subject/relatedSubject/code[@code='NCHILD' AND id=idOfTheChild]/ subject/sdtc:birthOrder

**6.6.1.1.132.3 SORD Value Sets**

NA

**6.6.1.1.133 FSEX**

**6.6.1.1.133.1 FSEX Derivation Rule**

5120 IF **\$Gender** CONTAINS ValueSet (*Male Gender (NCHS)*) THEN “FSEX” SHALL =’M’ ELSE IF **\$Gender** CONTAINS ValueSet(*Female Gender (NCHS)*) THEN “FSEX” SHALL =’F’ ELSE THEN “FSEX” SHALL =’N’

**6.6.1.1.133.2 FSEX LDS Source and Logic Variables**

Labor and Delivery Summary Header

5125 **\$Gender**

ClinicalDocument/component/structuredBody/component/section[templatedId[@root='2.16.840.1.113883.10.20.1.21']]subject/relatedSubject/code[@code='NCHILD' AND id=idOfTheChild]/ administrativeGenderCode

5130 **6.6.1.1.133.3 FSEX Value Sets**

Male Gender (NCHS) [1.3.6.1.4.1.19376.1.7.3.1.1.13.8.42](#)

Female Gender (NCHS) [1.3.6.1.4.1.19376.1.7.3.1.1.13.8.43](#)

**6.6.1.1.134 FDOD\_YR**

**6.6.1.1.134.1 FDOD\_YR Derivation Rule**

5135 IF **\$ProcedureCode** CONTAINS ValueSet (*Delivery (NCHS)*) THEN “FDOD\_YR” SHALL = Year part of Procedure Date/Time

### 6.6.1.1.134.2 FDOD\_YR LDS Source and Logic Variables

Labor and Delivery Section

1.3.6.1.4.1.19376.1.5.3.1.1.21.2.3

5140 Procedures and Interventions Section

1.3.6.1.4.1.19376.1.5.3.1.1.13.2.11

Procedure Entry

1.3.6.1.4.1.19376.1.5.3.1.4.19

**\$ProcedureCode =**

5145 ClinicalDocument/component/structuredBody/component/section[templatedId[@root='1.3.6.1.4.1.19376.1.5.3.1.1.21.2.3']]/component/section[templatedId[@root='1.3.6.1.4.1.19376.1.5.3.1.1.13.2.11']]/entry/procedure/code

**\$ProcedureEndTime =**

5150 ClinicalDocument/component/structuredBody/component/section[templatedId[@root='1.3.6.1.4.1.19376.1.5.3.1.1.21.2.3']]/component/section[templatedId[@root='1.3.6.1.4.1.19376.1.5.3.1.1.13.2.11']]/entry/procedure/effectiveTime/high

### 6.6.1.1.134.3 FDOD\_YR Value Sets

Delivery (NCHS) [1.3.6.1.4.1.19376.1.7.3.1.1.13.8.14](#)

### 6.6.1.1.135 FDOD\_MO Derivation Rule

5155 IF **\$ProcedureCode** CONTAINS ValueSet (*Delivery (NCHS)*) THEN “FDOD\_MO” SHALL = Month part of **\$ProcedureEndTime**

### 6.6.1.1.135.1 FDOD\_MO LDS Source and Logic Variables

Labor and Delivery Section

1.3.6.1.4.1.19376.1.5.3.1.1.21.2.3

5160 Procedures and Interventions Section

1.3.6.1.4.1.19376.1.5.3.1.1.13.2.11

Procedure Entry

1.3.6.1.4.1.19376.1.5.3.1.4.19

**\$ProcedureCode =**

5165 ClinicalDocument/component/structuredBody/component/section[templatedId[@root='1.3.6.1.4.1.19376.1.5.3.1.1.21.2.3']]/component/section[templatedId[@root='1.3.6.1.4.1.19376.1.5.3.1.1.13.2.11']]/entry/procedure/code

**\$ProcedureEndTime =**

5170 ClinicalDocument/component/structuredBody/component/section[templatedId[@root='1.3.6.1.4.1.19376.1.5.3.1.1.21.2.3']]/component/section[templatedId[@root='1.3.6.1.4.1.19376.1.5.3.1.1.13.2.11']]/entry/procedure/effectiveTime/high

**6.6.1.1.135.2 FDOD\_MO Value Sets**

Delivery (NCHS) [1.3.6.1.4.1.19376.1.7.3.1.1.13.8.14](#)

**6.6.1.1.136 FDOD\_DY**

5175 **6.6.1.1.136.1 FDOD\_DY Derivation Rule**

IF \$ProcedureCode CONTAINS ValueSet (Delivery (NCHS)) THEN “FDOD\_DYYR”  
SHALL = Day part of \$ProcedureEndTime

**6.6.1.1.136.2 FDOD\_DY LDS Source and Logic Variables**

Labor and Delivery Section

5180 1.3.6.1.4.1.19376.1.5.3.1.1.21.2.3

Procedures and Interventions Section

1.3.6.1.4.1.19376.1.5.3.1.1.13.2.11

Procedure Entry

1.3.6.1.4.1.19376.1.5.3.1.4.19

5185 **\$ProcedureCode =**

ClinicalDocument/component/structuredBody/component/section[templatedId[@root='1.3.6.1.4.1.19376.1.5.3.1.1.21.2.3']]/component/section[templatedId[@root='1.3.6.1.4.1.19376.1.5.3.1.1.13.2.11']]/entry/procedure/code

**\$ProcedureEndTime =**

5190 ClinicalDocument/component/structuredBody/component/section[templatedId[@root='1.3.6.1.4.1.19376.1.5.3.1.1.21.2.3']]/component/section[templatedId[@root='1.3.6.1.4.1.19376.1.5.3.1.1.13.2.11']]/entry/procedure/effectiveTime/high

**6.6.1.1.136.3 FDOD\_DY Value Sets**

Delivery (NCHS) [1.3.6.1.4.1.19376.1.7.3.1.1.13.8.14](#)



5195 **6.6.1.1.137 ETIME**

**6.6.1.1.137.1 ETIME Derivation Rule**

IF **\$EventOutcomesObservationCode** CONTAINS ValueSet), THEN “ETIME” SHALL = **\$EventOutcomesObservationValue** WHERE **\$EventOutcomesObservationValue** contains ValueSet (*Fetal Death Time Point (NCHS)*)

5200 **6.6.1.1.137.2 ETIME LDS Source and Logic Variables**

Newborn Delivery Information Section

1.3.6.1.4.1.19376.1.5.3.1.1.21.2.4

Coded Event Outcomes Section

1.3.6.1.4.1.19376.1.7.3.1.1.13.7

5205 Simple Observation

1.3.6.1.4.1.19376.1.5.3.1.4.13

**\$EventOutcomesObservationCode** =

5210 ClinicalDocument/component/structuredBody/component/section[templateId[@root='1.3.6.1.4.1.19376.1.5.3.1.1.21.2.4']]/ subject/relatedSubject/code[@code='NCHILD' AND id=idOfTheChild]/component/section[templateId[@root='1.3.6.1.4.1.19376.1.7.3.1.1.13.7']]/entry/observation/code

**\$EventOutcomesObservationValue** =

5215 ClinicalDocument/component/structuredBody/component/section[templateId[@root='1.3.6.1.4.1.19376.1.5.3.1.1.21.2.4']]/ subject/relatedSubject/code[@code='NCHILD' AND id=idOfTheChild]/component/section[templateId[@root='1.3.6.1.4.1.19376.1.7.3.1.1.13.7']]/entry/observation/value

**6.6.1.1.137.3 ETIME Value Sets**

Estimated Time Of Fetal Death (NCHS) [2.16.840.1.114222.4.11.7426](#)

Fetal Death Time Point (NCHS) - [2.16.840.1.114222.4.11.7112](#)

5220 **6.6.1.1.138 LIVEB**

**6.6.1.1.138.1 LIVEB Derivation Rule**

**\$EventOutcomesObservationCode** CONTAINS ValueSet (*Number of Live Births (NCHS)*), THEN SHALL = **\$EventOutcomesObservationValue**

**6.6.1.1.138.2 LIVEB LDS Source and Logic Variables**

5225 Labor and Delivery Events

1.3.6.1.4.1.19376.1.5.3.1.1.21.2.3

Coded Event Outcomes Section

1.3.6.1.4.1.19376.1.7.3.1.1.13.7

Simple Observation

5230 1.3.6.1.4.1.19376.1.5.3.1.4.13

**\$EventOutcomesObservationCode =**

ClinicalDocument/component/structuredBody/component/section[templatedId[@root='1.3.6.1.4.1.19376.1.5.3.1.1.21.2.3']]/component/section[templatedId[@root='1.3.6.1.4.1.19376.1.7.3.1.1.13.7']]/entry/act/entryRelationship/observation/code

5235 **\$EventOutcomesObservationValue =**

ClinicalDocument/component/structuredBody/component/section[templatedId[@root='1.3.6.1.4.1.19376.1.5.3.1.1.21.2.3']]/component/section[templatedId[@root='1.3.6.1.4.1.19376.1.7.3.1.1.13.7']]/entry/act/entryRelationship/observation/value

### **6.6.1.1.138.3 LIVEB Value Sets**

5240 Number of Live Births (NCHS) [1.3.6.1.4.1.19376.1.7.3.1.1.13.8.68](#)

### **6.6.1.1.139 FDTH**

#### **6.6.1.1.139.1 FDTH Derivation Rule**

IF **\$EventOutcomesObservationCode** CONTAINS ValueSet (*Number of Fetal Deaths This Delivery (NCHS)*), THEN **SHALL = \$EventOutcomesObservationValue**

5245 **6.6.1.1.139.2 FDTH LDS Source and Logic Variables**

Labor and Delivery Events

1.3.6.1.4.1.19376.1.5.3.1.1.21.2.3

Coded Event Outcomes Section

1.3.6.1.4.1.19376.1.7.3.1.1.13.7

5250 Simple Observation

1.3.6.1.4.1.19376.1.5.3.1.4.13

**\$EventOutcomesObservationCode =**

ClinicalDocument/component/structuredBody/component/section[templatedId[@root='1.3.6.1.4.1.19376.1.5.3.1.1.21.2.3']]/component/section[templatedId[@root='1.3.6.1.4.1.19376.1.7.3.1.1.13.7']]/entry/observation/code

5255

**\$EventOutcomesObservationValue =**

ClinicalDocument/component/structuredBody/component/section[templatedId[@root='1.3.6.1.4.1.19376.1.5.3.1.1.21.2.3']]/component/section[templatedId[@root='1.3.6.1.4.1.19376.1.7.3.1.1.13.7']]/entry/observation/value

5260 **6.6.1.1.139.3 FDTH Value Sets**

Number of Fetal Deaths This Delivery (NCHS) [1.3.6.1.4.1.19376.1.7.3.1.1.13.8.164](#)

**6.6.1.1.140 HYST**

**6.6.1.1.140.1 HYST Derivation Rule**

IF Labor and Delivery Procedures and Interventions

5265 **\$ProcedureCode** CONTAINS ValueSet (Hysterotomy Hysterectomy (NCHS)), THEN “HYST” **SHALL** = 'Y', ELSE IF **\$ProcedureCode** = NULL THEN 'U' ELSE 'N'.

**6.6.1.1.140.2 HYST LDS Source and Logic Variables**

Labor and Delivery Summary

Labor and Delivery

5270 1.3.6.1.4.1.19376.1.5.3.1.1.21.2.3

Procedures and Interventions

ProcedureCode

1.3.6.1.4.1.19376.1.5.3.1.1.13.2.11

5275 ClinicalDocument/component/structuredBody/component/section[templatedId[@root='1.3.6.1.4.1.19376.1.5.3.1.1.21.2.3']]/component/section[templatedId[@root='1.3.6.1.4.1.19376.1.5.3.1.1.13.2.11']]/entry/procedure/code

**6.6.1.1.140.3 HYST Value Sets**

Hysterotomy Hysterectomy (NCHS) [1.3.6.1.4.1.19376.1.7.3.1.1.13.8.150](#)

**6.6.1.1.141 TD**

5280 **6.6.1.1.141.1 TD Derivation Rule**

IF Labor and Delivery Summary Labor and Delivery Procedures and Interventions

**\$ProcedureCode** CONTAINS ValueSet (*Delivery (NCHS)*), THEN “TD” **SHALL** = **\$ProcedureEndTime**

**6.6.1.1.141.2 TD LDS Source and Logic Variables**

5285 Labor and Delivery Section

1.3.6.1.4.1.19376.1.5.3.1.1.21.2.3

Procedures and Interventions Section

1.3.6.1.4.1.19376.1.5.3.1.1.13.2.11

Procedure Entry

5290 1.3.6.1.4.1.19376.1.5.3.1.4.19

**\$ProcedureCode =**

ClinicalDocument/component/structuredBody/component/section[templated[@root='1.3.6.1.4.1.19376.1.5.3.1.1.21.2.3']]/component/section[templated[@root='1.3.6.1.4.1.19376.1.5.3.1.1.13.2.11']]/entry/procedure/code

5295 **\$ProcedureEndTime =**

ClinicalDocument/component/structuredBody/component/section[templated[@root='1.3.6.1.4.1.19376.1.5.3.1.1.21.2.3']]/component/section[templated[@root='1.3.6.1.4.1.19376.1.5.3.1.1.13.2.11']]/entry/procedure/effectiveTime/high

### **6.6.1.1.141.3 TD Value Sets**

5300 Delivery (NCHS) [1.3.6.1.4.1.19376.1.7.3.1.1.13.8.14](#)

### **6.6.1.1.142 AUTOP**

#### **6.6.1.1.142.1 AUTOP Derivation Rule**

5305 IF (**\$ProcedureCode** CONTAINS ValueSet CONTAINS ValueSet (*Autopsy Performed (NCHS)*) THEN “AUTOP” SHALL = “Y” ELSE IF **\$ProcedureCode** CONTAINS ValueSet CONTAINS ValueSet (*Autopsy Planned (NCHS)*) THEN “AUTOP” SHALL = “P” ELSE “N”.

#### **6.6.1.1.142.2 AUTOP LDS Source and Logic Variables**

Newborn Delivery Information Section

1.3.6.1.4.1.19376.1.5.3.1.1.21.2.4

Procedures and Interventions Section

5310 1.3.6.1.4.1.19376.1.5.3.1.1.13.2.11

Procedure Entry

1.3.6.1.4.1.19376.1.5.3.1.4.19

**\$ProcedureCode =**

5315 ClinicalDocument/component/structuredBody/component/section[templated[@root='1.3.6.1.4.1.19376.1.5.3.1.1.21.2.4']]/ subject/relatedSubject/code[@code='NCHILD' AND id=idOfTheChild]/component/section[templated[@root='1.3.6.1.4.1.19376.1.5.3.1.1.13.2.11']]/entry /procedure/code

### 6.6.1.1.142.3 AUTOP Value Sets

Autopsy Performed (NCHS) [1.3.6.1.4.1.19376.1.7.3.1.1.13.8.1](#)

5320 Autopsy Planned (NCHS) [2.16.840.1.114222.4.11.7140](#)

### 6.6.1.1.143 FWO

#### 6.6.1.1.143.1 FWO Derivation Rule

5325 IF **\$VitalSignsTypeCode** CONTAINS ValueSet (*Body Weight (NCHS)*) where **\$VitalSignsMethodCode** CONTAINS ValueSet (*Birth Weight (NCHS)*) THEN “FWO” **SHALL = \$VitalSignsResultValue** WHERE units are specified in Ounces

The preferred measure is in grams rather than ounces. Refer to FWG

#### 6.6.1.1.143.2 FWO LDS Source and Logic Variables

Newborn Delivery Information Section

1.3.6.1.4.1.19376.1.5.3.1.1.21.2.4

5330 Coded Detailed Physical Examination Section

1.3.6.1.4.1.19376.1.5.3.1.1.9.15.1

Coded Vital Signs Section

1.3.6.1.4.1.19376.1.5.3.1.1.5.3.2

**\$VitalSignsTypeCode =**

5335 ClinicalDocument/component/structuredBody/component/section[templatedId[@root='1.3.6.1.4.1.19376.1.5.3.1.1.21.2.4']]/ subject/relatedSubject/code[@code='NCHILD' AND id=idOfTheChild]/ component/section[templatedId[@root='1.3.6.1.4.1.19376.1.5.3.1.1.9.15.1']]/component/section[templatedId[@root='1.3.6.1.4.1.19376.1.5.3.1.1.5.3.2']]/entry/ observation/code

**\$VitalSignsMethodCode =**

5340 ClinicalDocument/component/structuredBody/component/section[templatedId[@root='1.3.6.1.4.1.19376.1.5.3.1.1.21.2.4']]/ subject/relatedSubject/code[@code='NCHILD' AND id=idOfTheChild]/ component/section[templatedId[@root='1.3.6.1.4.1.19376.1.5.3.1.1.9.15.1']]/component/section[templatedId[@root='1.3.6.1.4.1.19376.1.5.3.1.1.5.3.2']]/entry/ observation/methodCode

**\$VitalSignsResultValue =**

5345 ClinicalDocument/component/structuredBody/component/section[templatedId[@root='1.3.6.1.4.1.19376.1.5.3.1.1.21.2.4']]/ subject/relatedSubject/code[@code='NCHILD' AND id=idOfTheChild]/ component/section[templatedId[@root='1.3.6.1.4.1.19376.1.5.3.1.1.9.15.1']]/component/section[templatedId[@root='1.3.6.1.4.1.19376.1.5.3.1.1.5.3.2']]/entry/ observation/value

### 6.6.1.1.143.3 FWO Value Sets

5350 Birth Weight (NCHS) [1.3.6.1.4.1.19376.1.7.3.1.1.13.8.20](#)

### 6.6.1.1.144 FWG

#### 6.6.1.1.144.1 FWG Derivation Rule

IF **\$VitalSignsTypeCode** CONTAINS ValueSet (*Body Weight (NCHS)*) where  
**\$VitalSignsMethodCode** CONTAINS ValueSet (*Birth Weight (NCHS)*) THEN “FWG”  
5355 **SHALL = \$VitalSignsResultValue** WHERE units are specified in Grams

#### 6.6.1.1.144.2 FWG LDS Source and Logic Variables

Newborn Delivery Information Section

1.3.6.1.4.1.19376.1.5.3.1.1.21.2.4

Coded Detailed Physical Examination Section

5360 1.3.6.1.4.1.19376.1.5.3.1.1.9.15.1

Coded Vital Signs Section

1.3.6.1.4.1.19376.1.5.3.1.1.5.3.2

**\$VitalSignsTypeCode =**

5365 ClinicalDocument/component/structuredBody/component/section[templated[@root='1.3.6.1.4.1.19376.1.5.3.1.1.21.2.4']]// subject/relatedSubject/code[@code='NCHILD' AND id=idOfTheChild]/  
component/section[templated[@root='1.3.6.1.4.1.19376.1.5.3.1.1.9.15.1']]//component/section[templated[@root='1.3.6.1.4.1.19376.1.5.3.1.1.5.3.2']]//entry/ observation/code

**\$VitalSignsMethodCode =**

5370 ClinicalDocument/component/structuredBody/component/section[templated[@root='1.3.6.1.4.1.19376.1.5.3.1.1.21.2.4']]// subject/relatedSubject/code[@code='NCHILD' AND id=idOfTheChild]/  
component/section[templated[@root='1.3.6.1.4.1.19376.1.5.3.1.1.9.15.1']]//component/section[templated[@root='1.3.6.1.4.1.19376.1.5.3.1.1.5.3.2']]//entry/observation/methodCode

**\$VitalSignsResultValue =**

5375 ClinicalDocument/component/structuredBody/component/section[templated[@root='1.3.6.1.4.1.19376.1.5.3.1.1.21.2.4']]// subject/relatedSubject/code[@code='NCHILD' AND id=idOfTheChild]/  
component/section[templated[@root='1.3.6.1.4.1.19376.1.5.3.1.1.9.15.1']]//component/section[templated[@root='1.3.6.1.4.1.19376.1.5.3.1.1.5.3.2']]//entry/observation/value

### 6.6.1.1.144.3 FWG Value Sets

Body Weight (NCHS) [2.16.840.1.114222.4.11.7421](#)  
5380 Birth Weight (NCHS) [1.3.6.1.4.1.19376.1.7.3.1.1.13.8.20](#)

### 6.6.1.1.145 FWP

#### 6.6.1.1.145.1 FWP Derivation Rule

IF **\$VitalSignsTypeCode** CONTAINS ValueSet (*Body Weight (NCHS)*) where  
5385 **\$VitalSignsMethodCode** CONTAINS ValueSet (*Birth Weight (NCHS)*) THEN “FWP”  
**SHALL = \$VitalSignsResultValue** WHERE units are specified in Pounds

The preferred measure is in grams rather than ounces. Refer to FWG

#### 6.6.1.1.145.2 FWP LDS Source and Logic Variables

Newborn Delivery Information Section

1.3.6.1.4.1.19376.1.5.3.1.1.21.2.4

5390 Coded Detailed Physical Examination Section

1.3.6.1.4.1.19376.1.5.3.1.1.9.15.1

Coded Vital Signs Section

1.3.6.1.4.1.19376.1.5.3.1.1.5.3.2

**\$VitalSignsTypeCode =**

5395 ClinicalDocument/component/structuredBody/component/section[templatedId[@root='1.3.6.1.4.1.19376.1.5.3.1.1.21.2.4']]/ subject/relatedSubject/code[@code='NCHILD' AND id=idOfTheChild]/ component/section[templatedId[@root='1.3.6.1.4.1.19376.1.5.3.1.1.9.15.1']]/component/section[templatedId[@root='1.3.6.1.4.1.19376.1.5.3.1.1.5.3.2']]/entry/observation/code

**\$VitalSignsMethodCode =**

5400 ClinicalDocument/component/structuredBody/component/section[templatedId[@root='1.3.6.1.4.1.19376.1.5.3.1.1.21.2.4']]/ subject/relatedSubject/code[@code='NCHILD' AND id=idOfTheChild]/ component/section[templatedId[@root='1.3.6.1.4.1.19376.1.5.3.1.1.9.15.1']]/component/section[templatedId[@root='1.3.6.1.4.1.19376.1.5.3.1.1.5.3.2']]/entry/observation/methodCode

**\$VitalSignsResultValue =**

5405 ClinicalDocument/component/structuredBody/component/section[templatedId[@root='1.3.6.1.4.1.19376.1.5.3.1.1.21.2.4']]/ subject/relatedSubject/code[@code='NCHILD' AND id=idOfTheChild]/ component/section[templatedId[@root='1.3.6.1.4.1.19376.1.5.3.1.1.9.15.1']]/component/section[templatedId[@root='1.3.6.1.4.1.19376.1.5.3.1.1.5.3.2']]/entry/observation/value

#### 6.6.1.1.145.3 FWP Value Sets

5410 Birth Weight (NCHS) [1.3.6.1.4.1.19376.1.7.3.1.1.13.8.20](#)

### 6.6.1.1.146 LM

#### 6.6.1.1.146.1 LM Derivation Rule

5415 IF (**\$ProblemCode** CONTAINS ValueSet (*Listeria (NCHS)*)) OR  
(**\$InfectionHistoryProblemCode** CONTAINS ValueSet (*Listeria (NCHS)*)) THEN “LM”  
SHALL = “Y” ELSE “N”.

#### 6.6.1.1.146.2 LM LDS Source and Logic Variables

Active Problems Section

1.3.6.1.4.1.19376.1.5.3.1.3.6

Problem Concern Entry

5420 1.3.6.1.4.1.19376.1.5.3.1.4.5.2

**\$ProblemCode** =

ClinicalDocument/component/structuredBody/component/section[templateId[@root='1.3.6.1.4.1.19376.1.5.3.1.3.6']] /entry/act/entryRelationship/observation/value

Coded History of Infection Section

5425 1.3.6.1.4.1.19376.1.5.3.1.1.16.2.1.1.1

Problem Concern Entry

1.3.6.1.4.1.19376.1.5.3.1.4.5.2

**\$InfectionHistoryProblemCode** =

5430 ClinicalDocument//component/structuredBody/component/section[templateId[@root='1.3.6.1.4.1.19376.1.5.3.1.1.16.2.1.1.1']] /entry/act/entryRelationship/observation/value

#### 6.6.1.1.146.3 LM Value Sets

Listeria (NCHS) [1.3.6.1.4.1.19376.1.7.3.1.1.13.8.147](#)

### 6.6.1.1.147 GBS

#### 6.6.1.1.147.1 GBS Derivation Rule

5435 IF (**\$ProblemCode** CONTAINS ValueSet (*Group B Streptococcus (NCHS)*)) OR  
(**\$InfectionHistoryProblemCode** CONTAINS ValueSet (*Group B Streptococcus (NCHS)*))  
THEN “GBS” SHALL = “Y” ELSE “N”.

#### 6.6.1.1.147.2 GBS LDS Source and Logic Variables

Active Problems Section

5440 1.3.6.1.4.1.19376.1.5.3.1.3.6



Problem Concern Entry

1.3.6.1.4.1.19376.1.5.3.1.4.5.2

**\$ProblemCode =**

5445 ClinicalDocument/component/structuredBody/component/section[templateId[@root='1.3.6.1.4.1.19376.1.5.3.1.3.6']] /entry/act/entryRelationship/observation/value

Coded History of Infection Section

1.3.6.1.4.1.19376.1.5.3.1.1.16.2.1.1.1

Problem Concern Entry

1.3.6.1.4.1.19376.1.5.3.1.4.5.2

5450 **\$InfectionHistoryProblemCode =**

ClinicalDocument/component/structuredBody/component/section[templateId[@root='1.3.6.1.4.1.19376.1.5.3.1.1.16.2.1.1.1']] /entry/act/entryRelationship/observation/value

### **6.6.1.1.147.3 GBS Value Sets**

Group B Streptococcus (NCHS) [1.3.6.1.4.1.19376.1.7.3.1.1.13.8.166](#)

5455 **6.6.1.1.148 CMV**

#### **6.6.1.1.148.1 CMV Derivation Rule**

IF (**\$ProblemCode** CONTAINS ValueSet (*Cytomegalovirus (NCHS)*)) OR  
(**\$InfectionHistoryProblemCode** CONTAINS ValueSet (*Cytomegalovirus (NCHS)*)) THEN  
“CMV” SHALL = “Y” ELSE “N”.

5460 **6.6.1.1.148.2 CMV LDS Source and Logic Variables**

Active Problems Section

1.3.6.1.4.1.19376.1.5.3.1.3.6

Problem Concern Entry

1.3.6.1.4.1.19376.1.5.3.1.4.5.2

5465 **\$ProblemCode =**

ClinicalDocument/component/structuredBody/component/section[templateId[@root='1.3.6.1.4.1.19376.1.5.3.1.3.6']] /entry/act/entryRelationship/observation/value

Coded History of Infection Section

1.3.6.1.4.1.19376.1.5.3.1.1.16.2.1.1.1

5470 Problem Concern Entry

1.3.6.1.4.1.19376.1.5.3.1.4.5.2

**\$InfectionHistoryProblemCode =**

ClinicalDocument/component/structuredBody/component/section[templatedId[@root='1.3.6.1.4.1.19376.1.5.3.1.1.16.2.1.1.1']] /entry/act/entryRelationship/observation/value

5475 **6.6.1.1.148.3 CMV Value Sets**

Cytomegalovirus (NCHS) [1.3.6.1.4.1.19376.1.7.3.1.1.13.8.167](#)

**6.6.1.1.149 B19**

**6.6.1.1.149.1 B19 Derivation Rule**

5480 IF (**\$ProblemCode** CONTAINS ValueSet (*Parvovirus (NCHS)*)) OR  
(**\$InfectionHistoryProblemCode** CONTAINS ValueSet (*Parvovirus (NCHS)*)) THEN “B19”  
SHALL = “Y” ELSE “N”.

**6.6.1.1.149.2 B19 LDS Source and Logic Variables**

Active Problems Section

1.3.6.1.4.1.19376.1.5.3.1.3.6

5485 Problem Concern Entry

1.3.6.1.4.1.19376.1.5.3.1.4.5.2

**\$ProblemCode =**

ClinicalDocument/component/structuredBody/component/section[templatedId[@root='1.3.6.1.4.1.19376.1.5.3.1.3.6']] /entry/act/entryRelationship/observation/value

5490 Coded History of Infection Section

1.3.6.1.4.1.19376.1.5.3.1.1.16.2.1.1.1

Problem Concern Entry

1.3.6.1.4.1.19376.1.5.3.1.4.5.2

**\$InfectionHistoryProblemCode =**

5495 ClinicalDocument/component/structuredBody/component/section[templatedId[@root='1.3.6.1.4.1.19376.1.5.3.1.1.16.2.1.1.1']] /entry/act/entryRelationship/observation/value

**6.6.1.1.149.3 B19 Value Sets**

Parvovirus (NCHS) [1.3.6.1.4.1.19376.1.7.3.1.1.13.8.168](#)

### 6.6.1.1.150 HISTOP

#### 5500 6.6.1.1.150.1 HISTOP Derivation Rule

IF (**\$EventOutcomesObservationCode** CONTAINS ValueSet (*Histological Placental Examination (NCHS)*)) THEN “HISTOP” SHALL = **\$EventOutcomesObservationValue**

#### 6.6.1.1.150.2 HISTOP LDS Source and Logic Variables

Newborn Delivery Information Section

5505 1.3.6.1.4.1.19376.1.5.3.1.1.21.2.4

Coded Event Outcomes Section

1.3.6.1.4.1.19376.1.7.3.1.1.13.7

Simple Observation

1.3.6.1.4.1.19376.1.5.3.1.4.13

5510 **\$EventOutcomesObservationCode** =

ClinicalDocument/component/structuredBody/component/section[templatedId[@root='1.3.6.1.4.1.19376.1.5.3.1.1.21.2.4'] AND subject/relatedSubject[code[@code='NCHILD' AND id=idOfTheChild]]]/component/section[templatedId[@root='1.3.6.1.4.1.19376.1.7.3.1.1.13.7']]/entry[templatedId[@root='1.3.6.1.4.1.19376.1.5.3.1.4.13']]/observation/code

5515 **\$EventOutcomesObservationValue** =

ClinicalDocument/component/structuredBody/component/section[templatedId[@root='1.3.6.1.4.1.19376.1.5.3.1.1.21.2.4'] AND subject/relatedSubject[code[@code='NCHILD' AND id=idOfTheChild]]]/component/section[templatedId[@root='1.3.6.1.4.1.19376.1.7.3.1.1.13.7']]/entry[templatedId[@root='1.3.6.1.4.1.19376.1.5.3.1.4.13']]/observation/value

#### 5520 6.6.1.1.150.3 HISTOP Value Sets

Histological Placental Examination (NCHS) [2.16.840.1.114222.4.11.7138](https://www.hl7.org/fhir/valuesets/2.16.840.1.114222.4.11.7138)

Histological Placental Examination Performed (NCHS) [2.16.840.1.114222.4.11.7430](https://www.hl7.org/fhir/valuesets/2.16.840.1.114222.4.11.7430)

### 6.6.1.1.151 TOXO

#### 6.6.1.1.151.1 TOXO Derivation Rule

5525 IF (**\$ProblemCode** CONTAINS ValueSet (*Toxoplasmosis (NCHS)*)) OR (**\$InfectionHistoryProblemCode** CONTAINS ValueSet (*Toxoplasmosis (NCHS)*)) THEN “TOXO” SHALL = “Y” ELSE “N”.

#### 6.6.1.1.151.2 TOXO LDS Source and Logic Variables

Active Problems Section

5530 1.3.6.1.4.1.19376.1.5.3.1.3.6

Problem Concern Entry

1.3.6.1.4.1.19376.1.5.3.1.4.5.2

**\$ProblemCode =**

5535 ClinicalDocument/component/structuredBody/component/section[templateId[@root='1.3.6.1.4.1.19376.1.5.3.1.3.6']] /entry/act/entryRelationship/observation/value

Coded History of Infection Section

1.3.6.1.4.1.19376.1.5.3.1.1.16.2.1.1.1

Problem Concern Entry

1.3.6.1.4.1.19376.1.5.3.1.4.5.2

5540 **\$InfectionHistoryProblemCode =**

ClinicalDocument/component/structuredBody/component/section[templateId[@root='1.3.6.1.4.1.19376.1.5.3.1.1.16.2.1.1.1']] /entry/act/entryRelationship/observation/value

### **6.6.1.1.151.3 TOXO Value Sets**

Toxoplasmosis (NCHS) [1.3.6.1.4.1.19376.1.7.3.1.1.13.8.169](https://www.hl7.org/fhir/terminology/1.3.6.1.4.1.19376.1.7.3.1.1.13.8.169)

5545

### 6.6.2 Form Data Element Mappings to Output Content Document

This section identifies the mapping of the data elements defined for this form and the specified template for the output CDA Document.

5550

**Table 6.6.2-1: Form Data Elements Data Mapped to Output Content Document Modules for Birth**

Form Data Element < V1 X.7>	Form Data Element Name	Section Level Map (if specific)	Entry Level Map to Birth CDA	Derivation Rule
ANTI	Abnormal conditions of the newborn: Antibiotics [received by the newborn for suspected neonatal sepsis]	Reporting Birth Information from a clinical setting to vital records [ClinicalDocument: templateId 2.16.840.1.113883.10.20.26.1 Newborn Delivery Section (templateId: 2.16.840.1.113883.10.20.26.10)]	Abnormal Condition of the Newborn [Observation: templateId 2.16.840.1.113883.10.20.26.13]	IF ANTI = 'Y' then /code@code= Code='73812-0, CodeSystemName= 'LOINC', DisplayName=' Abnormal conditions of the Newborn' AND /value@code= Code='434621000124103', CodeSystemName='SNOMED CT', DisplayName=' Antibiotics Received for Suspected Neonatal Sepsis'
AVEN1	Abnormal conditions of the newborn: Assisted ventilation [required immediately following delivery]	Reporting Birth Information from a clinical setting to vital records [ClinicalDocument: templateId 2.16.840.1.113883.10.20.26.1 Newborn Delivery Section (templateId: 2.16.840.1.113883.10.20.26.10)]	Abnormal Condition of the Newborn (templateId: 2.16.840.1.113883.10.20.26.13)	IF AVEN1 = 'Y' then /code@code= Code='73812-0, CodeSystemName= 'LOINC', DisplayName=' Abnormal conditions of the Newborn' AND /value@code= Code='PHC1250', CodeSystemName= 'PHIN VS (CDC Local Coding System)', DisplayName=' Assisted ventilation required immediately following Delivery'

Form Data Element < V1 X.7>	Form Data Element Name	Section Level Map (if specific)	Entry Level Map to Birth CDA	Derivation Rule
AVEN6	Abnormal conditions of the newborn: Assisted ventilation for 6 or more hours	Reporting Birth Information from a clinical setting to vital records [ClinicalDocument: templateId 2.16.840.1.113883.10.20.26.1 Newborn Delivery Section (templateId: 2.16.840.1.113883.10.20.26.10)	Abnormal Condition of the Newborn (templateId: 2.16.840.1.113883.10.20.26.13)	IF AVEN6 = 'Y' then /code@code= Code='73812-0', CodeSystemName= 'LOINC', DisplayName=' Abnormal conditions of the Newborn' AND /value@code= Code='PHC1251', CodeSystemName= 'PHIN VS (CDC Local Coding System)', DisplayName=' Assisted ventilation required for more than six hours'
BINJ	Abnormal conditions of the newborn: Significant birth injury [ (skeletal fracture(s), peripheral nerve injury, and/or soft tissue/solid organ hemorrhage which requires intervention)]	Reporting Birth Information from a clinical setting to vital records [ClinicalDocument: templateId 2.16.840.1.113883.10.20.26.1 Newborn Delivery Section (templateId: 2.16.840.1.113883.10.20.26.10)	Abnormal Condition of the Newborn (templateId: 2.16.840.1.113883.10.20.26.13)	IF BINJ = 'Y' then /code@code= Code='73812-0', CodeSystemName= 'LOINC', DisplayName=' Abnormal conditions of the Newborn' AND /value@code= Code=' 56110009', CodeSystemName= 'SNOMED CT', DisplayName=' Birth trauma of fetus'
NICU	Abnormal conditions of the newborn: Admission to NICU	Reporting Birth Information from a clinical setting to vital records [ClinicalDocument: templateId 2.16.840.1.113883.10.20.26.1 Newborn Delivery Section (templateId: 2.16.840.1.113883.10.20.26.10)	Abnormal Condition of the Newborn (templateId: 2.16.840.1.113883.10.20.26.13)	IF NICU = 'Y' then /code@code= Code='73812-0', CodeSystemName= 'LOINC', DisplayName=' Abnormal conditions of the Newborn' AND /value@code= Code='405269005', CodeSystemName= 'SNOMED CT', DisplayName=' Neonatal intensive care unit'

Form Data Element < V1 X.7>	Form Data Element Name	Section Level Map (if specific)	Entry Level Map to Birth CDA	Derivation Rule
SEIZ	Abnormal conditions of the newborn: Seizure or serious neurologic dysfunction	Reporting Birth Information from a clinical setting to vital records [ClinicalDocument: templateId 2.16.840.1.113883.10.20.26.1 Newborn Delivery Section (templateId: 2.16.840.1.113883.10.20.26.10)	Abnormal Condition of the Newborn (templateId: 2.16.840.1.113883.10.20.26.13)	IF SEIZ = 'Y' then /code@code= Code='73812-0', CodeSystemName='LOINC', DisplayName='Abnormal conditions of the Newborn' AND /value@code= Code='91175000', CodeSystemName='SNOMED CT', DisplayName='Seizure'
SURF	Abnormal conditions of the newborn:[Newborn given] Surfactant replacement therapy	Reporting Birth Information from a clinical setting to vital records [ClinicalDocument: templateId 2.16.840.1.113883.10.20.26.1 Newborn Delivery Section (templateId: 2.16.840.1.113883.10.20.26.10)	Abnormal Condition of the Newborn (templateId: 2.16.840.1.113883.10.20.26.13)	IF SURF = 'Y' then /code@code= Code='73812-0', CodeSystemName='LOINC', DisplayName='Abnormal conditions of the Newborn' AND /value@code= Code='43470100012410', CodeSystemName='SNOMED CT', DisplayName='Surfactant replacement therapy'
NOA54	Abnormal conditions of the newborn: None of the above	Reporting Birth Information from a clinical setting to vital records [ClinicalDocument: templateId 2.16.840.1.113883.10.20.26.1 Newborn Delivery Section (templateId: 2.16.840.1.113883.10.20.26.10)	Abnormal Condition of the Newborn (templateId: 2.16.840.1.113883.10.20.26.13)	IF NOA54 = 'Y' then /code@code= Code='73812-0', CodeSystemName='LOINC', DisplayName='Abnormal conditions of the Newborn' AND /value@code= Code='260413007', CodeSystemName='SNOMED CT', DisplayName='None'
DNA54	Abnormal conditions of the newborn: Pending	Reporting Birth Information from a clinical setting to vital records [ClinicalDocument: templateId 2.16.840.1.113883.10.20.26.1 Newborn Delivery Section (templateId: 2.16.840.1.113883.10.20.26.10)	Abnormal Condition of the Newborn (templateId: 2.16.840.1.113883.10.20.26.13)	IF DNA54 = 'Y' then NULL

Form Data Element < V1 X.7>	Form Data Element Name	Section Level Map (if specific)	Entry Level Map to Birth CDA	Derivation Rule
APGAR5	Apgar Score: 5 Minute	Reporting Birth Information from a clinical setting to vital records [ClinicalDocument: templateId 2.16.840.1.113883.10.20.26.1 Newborn Delivery Section (templateId: 2.16.840.1.113883.10.20.26.10) Newborn's Vital Signs Section [Section: templateId 2.16.840.1.113883.10.20.26.11]	Vital Signs Observation [Observation: templateId 2.16.840.1.113883.10.20.22.4.27]	/code@code= Code=' 9274-2', CodeSystemName= 'LOINC', DisplayName=' Score^5M post birth' AND /value@value= APGAR5
APGAR10	Apgar Score: 10 Minute	Reporting Birth Information from a clinical setting to vital records [ClinicalDocument: templateId 2.16.840.1.113883.10.20.26.1 Newborn Delivery Section (templateId: 2.16.840.1.113883.10.20.26.10) Newborn's Vital Signs Section [Section: templateId 2.16.840.1.113883.10.20.26.11]	Vital Signs Observation [Observation: templateId 2.16.840.1.113883.10.20.22.4.27]	/code@code= Code='9271-8', CodeSystemName= 'LOINC', DisplayName=' Score^10M post birth' AND /value@value= APGAR10
ATTEND N	Attendant's name	Reporting Birth Information from a clinical setting to vital records [ClinicalDocument: templateId 2.16.840.1.113883.10.20.26.1 Labor and Delivery Section (templateId: 2.16.840.1.113883.10.20.26.8)	Labor and Delivery Process [Act: templateId 2.16.840.1.113883.10.20.26.31]	/performer/assignedEntity/assignedPerson/name = ATTENDN



Form Data Element < V1 X.7>	Form Data Element Name	Section Level Map (if specific)	Entry Level Map to Birth CDA	Derivation Rule
ATTEND	Attendant's title:	Reporting Birth Information from a clinical setting to vital records [ClinicalDocument: templateId 2.16.840.1.113883.10.20.26.1 Labor and Delivery Section (templateId: 2.16.840.1.113883.10.20.26.8)	Labor and Delivery Process [Act: templateId 2.16.840.1.113883.10.20.26.31]	/performer/assignedEntity/assignedPerson/code = ATTEND
ATTENDS	Attendant: Other specified	Reporting Birth Information from a clinical setting to vital records [ClinicalDocument: templateId 2.16.840.1.113883.10.20.26.1 Labor and Delivery Section (templateId: 2.16.840.1.113883.10.20.26.8)	Labor and Delivery Process [Act: templateId 2.16.840.1.113883.10.20.26.31]	/performer/assignedEntity/assignedPerson/name = ATTENDS
NPI	Attendant's NPI	Reporting Birth Information from a clinical setting to vital records [ClinicalDocument: templateId 2.16.840.1.113883.10.20.26.1 Labor and Delivery Section (templateId: 2.16.840.1.113883.10.20.26.8)	Labor and Delivery Process [Act: templateId 2.16.840.1.113883.10.20.26.31]	/performer/assignedEntity/id = NPI

Form Data Element < V1 X.7>	Form Data Element Name	Section Level Map (if specific)	Entry Level Map to Birth CDA	Derivation Rule
BWG	Birth weight (Infant's)	Reporting Birth Information from a clinical setting to vital records [ClinicalDocument: templateId: 2.16.840.1.113883.10.20.26.1 Newborn Delivery Section (templateId: 2.16.840.1.113883.10.20.26.10) Newborn's Vital Signs Section (templateId: 2.16.840.1.113883.10.20.26.11)]	Newborn's Vital Signs Observation [templateId: 2.16.840.1.113883.10.20.26.46]	/code@code= Code=' 8339-4', CodeSystemName= 'LOINC', DisplayName='Body Weight^at birth' AND /value@value= BWG(PQ) /value/@unit= 'gm'
BWO	Birth weight (Infant's)	Reporting Birth Information from a clinical setting to vital records [ClinicalDocument: templateId: 2.16.840.1.113883.10.20.26.1 Newborn Delivery Section (templateId: 2.16.840.1.113883.10.20.26.10) Newborn's Vital Signs Section (templateId: 2.16.840.1.113883.10.20.26.11)]	Weight [Observation: templateId 2.16.840.1.113883.10.20.26.46]	/code@code= Code=' 8339-4', CodeSystemName= 'LOINC', DisplayName='Body Weight^at birth' AND /value@value= BWO(PQ) /value/@unit= 'oz' NOTE: Preferred measure of weight is in Grams.
BWP	Birth weight (Infant's)	Reporting Birth Information from a clinical setting to vital records [ClinicalDocument: templateId: 2.16.840.1.113883.10.20.26.1 Newborn Delivery Section (templateId: 2.16.840.1.113883.10.20.26.10) Newborn's Vital Signs Section (templateId: 2.16.840.1.113883.10.20.26.11)]	Weight [Observation: templateId 2.16.840.1.113883.10.20.26.46]	/code@code= Code=' 8339-4', CodeSystemName= 'LOINC', DisplayName='Body Weight^at birth' AND /value@value= BWP(PQ) /value/@unit= 'lb' NOTE: Preferred measure of weight is in Grams.

Form Data Element < V1 X.7>	Form Data Element Name	Section Level Map (if specific)	Entry Level Map to Birth CDA	Derivation Rule
ANTB	Characteristics of labor and delivery: Antibiotics[received by the mother during labor]	Reporting Birth Information from a clinical setting to vital records [ClinicalDocument: templateId 2.16.840.1.113883.10.20.26.1 Labor and Delivery Section (templateId: 2.16.840.1.113883.10.20.26.8)	Labor and Delivery Process (templateId: 2.16.840.1.113883.10.20.26.31) Characteristic of Labor and Delivery (templateId: 2.16.840.1.113883.10.20.26.18)	IF ANTB = 'Y' then /code@code= Code=73813-8', CodeSystemName= 'LOINC', DisplayName='Characteristics of labor and delivery' AND /value@code= Code=' 634771000124114', CodeSystemName= 'SNOMED CT', DisplayName='Antibiotics received during labor'
AUGL	Characteristics of labor and delivery: Augmentation of labor	Reporting Birth Information from a clinical setting to vital records [ClinicalDocument: templateId 2.16.840.1.113883.10.20.26.1 Labor and Delivery Section (templateId: 2.16.840.1.113883.10.20.26.8)	Labor and Delivery Process (templateId: 2.16.840.1.113883.10.20.26.31) Characteristic of Labor and Delivery (templateId: 2.16.840.1.113883.10.20.26.18)	IF AUGL = 'Y' then) /code@code= Code=73813-8', CodeSystemName= 'LOINC', DisplayName='Characteristics of labor and delivery' AND /value@code= Code='237001001', CodeSystemName= 'SNOMED CT', DisplayName= 'Augmentation of labor'
CHOR	Characteristics of labor and delivery: [Clinical] Chorioamnionitis [diagnosed during labor or maternal temperature >=38 degrees (100.4F)]	Reporting Birth Information from a clinical setting to vital records [ClinicalDocument: templateId 2.16.840.1.113883.10.20.26.1 Labor and Delivery Section (templateId: 2.16.840.1.113883.10.20.26.8)	Labor and Delivery Process (templateId: 2.16.840.1.113883.10.20.26.31) Characteristic of Labor and Delivery (templateId: 2.16.840.1.113883.10.20.26.18)	IF CHOR = 'Y' then /code@code= Code=73813-8', CodeSystemName= 'LOINC', DisplayName='Characteristics of labor and delivery' AND /value@code= Code='11612004', CodeSystemName= 'SNOMED CT', DisplayName= 'Chorioamnionitis'

Form Data Element < V1 X.7>	Form Data Element Name	Section Level Map (if specific)	Entry Level Map to Birth CDA	Derivation Rule
ESAN	Characteristics of labor and delivery: [Epidural or spinal]Anesthesia[during labor]	Reporting Birth Information from a clinical setting to vital records [ClinicalDocument: templateId 2.16.840.1.113883.10.20.26.1 Labor and Delivery Section (templateId: 2.16.840.1.113883.10.20.26.8)	Labor and Delivery Process (templateId: 2.16.840.1.113883.10.20.26.31) Characteristic of Labor and Delivery (templateId: 2.16.840.1.113883.10.20.26.18)	IF ESAN = 'Y' then /code@code= Code=73813-8', CodeSystemName= 'LOINC', DisplayName='Characteristics of labor and delivery' AND /value@code= Code=' 231064003', CodeSystemName= 'SNOMED CT', DisplayName= 'Intrathecal injection of local anesthetic agent'
INDL	Characteristics of labor and delivery: Induction of labor	Reporting Birth Information from a clinical setting to vital records [ClinicalDocument: templateId 2.16.840.1.113883.10.20.26.1 Labor and Delivery Section (templateId: 2.16.840.1.113883.10.20.26.8)	Labor and Delivery Process (templateId: 2.16.840.1.113883.10.20.26.31) Characteristic of Labor and Delivery (templateId: 2.16.840.1.113883.10.20.26.18)	IF INDL = 'Y' then /code@code= Code=73813-8', CodeSystemName= 'LOINC', DisplayName='Characteristics of labor and delivery' AND /value@code= Code=' 236958009', CodeSystemName= 'SNOMED CT', DisplayName= 'Induction of labor'
STER	Characteristics of labor and delivery: Steroids [(glucocorticoids) for fetal lung maturation received by the mother prior to delivery]	Reporting Birth Information from a clinical setting to vital records [ClinicalDocument: templateId 2.16.840.1.113883.10.20.26.1 Labor and Delivery Section (templateId: 2.16.840.1.113883.10.20.26.8)	Labor and Delivery Process (templateId: 2.16.840.1.113883.10.20.26.31) Characteristic of Labor and Delivery (templateId: 2.16.840.1.113883.10.20.26.18)	IF STER = 'Y' then /code@code= Code=73813-8', CodeSystemName= 'LOINC', DisplayName='Characteristics of labor and delivery' AND /value@code= Code='634621000124113', CodeSystemName= 'SNOMED CT', DisplayName= 'Steroids (glucocorticoids) for fetal lung maturation (procedure)'

Form Data Element < V1 X.7>	Form Data Element Name	Section Level Map (if specific)	Entry Level Map to Birth CDA	Derivation Rule
NOA04	Characteristics of labor and delivery: None of the above	Reporting Birth Information from a clinical setting to vital records [ClinicalDocument: templateId 2.16.840.1.113883.10.20.26.1 Labor and Delivery Section (templateId: 2.16.840.1.113883.10.20.26.8)	Labor and Delivery Process (templateId: 2.16.840.1.113883.10.20.26.31) Characteristic of Labor and Delivery (templateId: 2.16.840.1.113883.10.20.26.18)	IF NOA04 = 'Y' then /code@code= Code='73813-8', CodeSystemName='LOINC', DisplayName='Characteristics of labor and delivery' AND /value@code= Code='260413007', CodeSystemName='SNOMED CT', DisplayName='None'
DNA04	Characteristics of labor and delivery: Pending	Reporting Birth Information from a clinical setting to vital records [ClinicalDocument: templateId 2.16.840.1.113883.10.20.26.1 Labor and Delivery Section (templateId: 2.16.840.1.113883.10.20.26.8)	Labor and Delivery Process (templateId: 2.16.840.1.113883.10.20.26.31) Characteristic of Labor and Delivery (templateId: 2.16.840.1.113883.10.20.26.18)	NULL
IDOB_YR	Child: Date of Birth: Year	Reporting Birth Information from a clinical setting to vital records [ClinicalDocument: templateId 2.16.840.1.113883.10.20.26.1 Newborn Delivery Section (templateId: 2.16.840.1.113883.10.20.26.10)		/subject/relatedSubject/subject/birthtime contains IDOB_YR/IDOB_MO/IDOB_DY
IDOB_MO	Child: Date of Birth: Month	Reporting Birth Information from a clinical setting to vital records [ClinicalDocument: templateId 2.16.840.1.113883.10.20.26.1 Newborn Delivery Section (templateId: 2.16.840.1.113883.10.20.26.10)		/subject/relatedSubject/subject/birthtime contains IDOB_YR/IDOB_MO/IDOB_DY

Form Data Element < V1 X.7>	Form Data Element Name	Section Level Map (if specific)	Entry Level Map to Birth CDA	Derivation Rule
IDOB_DY	Child: Date of Birth: Day	Reporting Birth Information from a clinical setting to vital records [ClinicalDocument: templateId 2.16.840.1.113883.10.20.26.1 Newborn Delivery Section (templateId: 2.16.840.1.113883.10.20.26.10)]		/subject/relatedSubject/subject/birthtime contain IDOB_YR/IDOB_MO/IDOB_DY
KIDFNAME	Child's First Name/ Name of Fetus(optional at the discretion of the parents)	Reporting Birth Information from a clinical setting to vital records [ClinicalDocument: templateId 2.16.840.1.113883.10.20.26.1 Newborn Delivery Section (templateId: 2.16.840.1.113883.10.20.26.10)]		/subject/relatedSubject/subject/name/given[1] contains KIDFNAME
KIDMNAME	Child's Middle Name / Name of Fetus(optional at the discretion of the parents)	Reporting Birth Information from a clinical setting to vital records [ClinicalDocument: templateId 2.16.840.1.113883.10.20.26.1 Newborn Delivery Section (templateId: 2.16.840.1.113883.10.20.26.10)]		/subject/relatedSubject/subject/name/given[2] contains KIDMNAME
KIDLNAME	Child's Last Name / Name of Fetus(optional at the discretion of the parents)	Reporting Birth Information from a clinical setting to vital records [ClinicalDocument: templateId 2.16.840.1.113883.10.20.26.1 Newborn Delivery Section (templateId: 2.16.840.1.113883.10.20.26.10)]		/subject/relatedSubject/subject/name/family contains KIDLNAME

Form Data Element < V1 X.7>	Form Data Element Name	Section Level Map (if specific)	Entry Level Map to Birth CDA	Derivation Rule
KIDSUFFX	Child's Last Name Suffix:	Reporting Birth Information from a clinical setting to vital records [ClinicalDocument: templateId 2.16.840.1.113883.10.20.26.1 Newborn Delivery Section (templateId: 2.16.840.1.113883.10.20.26.10)		/subject/relatedSubject/subject/name/family contains KIDSUFFX
BFED	Child: Infant being breastfed?	Reporting Birth Information from a clinical setting to vital records [ClinicalDocument: templateId 2.16.840.1.113883.10.20.26.1 Newborn Delivery Section (templateId: 2.16.840.1.113883.10.20.26.10)	Infant Breastfed (templateId: 2.16.840.1.113883.10.20.26.27)	/code@code= Code='3756-9', CodeSystemName='LOINC', DisplayName='Infant is being breastfed at discharge' AND /value@value= Boolean form of BFED
ILIV	Child: Infant living at time of report?	Reporting Birth Information from a clinical setting to vital records [ClinicalDocument: templateId 2.16.840.1.113883.10.20.26.1 Newborn Delivery Section (templateId: 2.16.840.1.113883.10.20.26.10)	Infant Living (templateId: 2.16.840.1.113883.10.20.26.28)	/code@code= Code='73757-7', CodeSystemName='LOINC', DisplayName='Infant living at time of report' AND /value@value= Boolean form of ILIV
IRECNUM	Child: Newborn Medical Record Number	Reporting Birth Information from a clinical setting to vital records [ClinicalDocument: templateId 2.16.840.1.113883.10.20.26.1 Newborn Delivery Section (templateId: 2.16.840.1.113883.10.20.26.10)		/subject/relatedSubject/subject/sDTCId = IRECNUM

Form Data Element < V1 X.7>	Form Data Element Name	Section Level Map (if specific)	Entry Level Map to Birth CDA	Derivation Rule
ISEX	Child: (infant) Sex -	Reporting Birth Information from a clinical setting to vital records [ClinicalDocument: templateId 2.16.840.1.113883.10.20.26.1 Newborn Delivery Section (templateId: 2.16.840.1.113883.10.20.26.10)		/subject/relatedSubject/subject/administrativeGenderCode = ISEX
ITRAN	Child: Infant transferred within 24 hours of delivery/name the facility FTRAN	Reporting Birth Information from a clinical setting to vital records [ClinicalDocument: templateId 2.16.840.1.113883.10.20.26.1 Newborn Delivery Section (templateId: 2.16.840.1.113883.10.20.26.10)	infant Transfer (templateId: 2.16.840.1.113883.10.20.26.29)	/code@code= Code='73758-5', CodeSystemName= 'LOINC', DisplayName= 'Infant was transferred within 24 hours of delivery' AND /value@value= Boolean form of ITRAN
FTRAN	Child: Infant transferred within 24 hours of delivery/name the facility	Reporting Birth Information from a clinical setting to vital records [ClinicalDocument: templateId 2.16.840.1.113883.10.20.26.1 Newborn Delivery Section (templateId: 2.16.840.1.113883.10.20.26.10)	infant Transfer (templateId: 2.16.840.1.113883.10.20.26.29)	/participant/participantRole/name = FTRAN
TB	Child: Time of Birth	Reporting Birth Information from a clinical setting to vital records [ClinicalDocument: templateId 2.16.840.1.113883.10.20.26.1 Newborn Delivery Section (templateId: 2.16.840.1.113883.10.20.26.10)		/subject/relatedSubject/subject/birthTime = TB



Form Data Element < V1 X.7>	Form Data Element Name	Section Level Map (if specific)	Entry Level Map to Birth CDA	Derivation Rule
ANEN	Congenital anomalies of the Newborn: Anencephaly	Reporting Birth Information from a clinical setting to vital records [ClinicalDocument: templateId 2.16.840.1.113883.10.20.26.1 Newborn Delivery Section (templateId: 2.16.840.1.113883.10.20.26.10)	Congenital Anomaly [Observation: templateId 2.16.840.1.113883.10.20.26.19]	IF ANEN = 'Y' then /code@code= Code= '73780-9', CodeSystemName= 'LOINC', DisplayName='Congenital anomalies of the newborn' AND /value@code= Code=' 89369001', CodeSystemName= 'SNOMED CT', DisplayName= 'Anencephalus'
CCHD	Congenital anomalies of the Newborn: Cyanotic congenital heart disease	Reporting Birth Information from a clinical setting to vital records [ClinicalDocument: templateId 2.16.840.1.113883.10.20.26.1 Newborn Delivery Section (templateId: 2.16.840.1.113883.10.20.26.10)	Congenital Anomaly [Observation: templateId 2.16.840.1.113883.10.20.26.19]	IF CCHD = 'Y' then /code@code= Code= '73780-9', CodeSystemName= 'LOINC', DisplayName='Congenital anomalies of the newborn' AND /value@code= Code=' 12770006', CodeSystemName= 'SNOMED CT', DisplayName= 'Cyanotic congenital heart disease'
CDH	Congenital anomalies of the Newborn:- Congenital diaphragmatic hernia	Reporting Birth Information from a clinical setting to vital records [ClinicalDocument: templateId 2.16.840.1.113883.10.20.26.1 Newborn Delivery Section (templateId: 2.16.840.1.113883.10.20.26.10)	Congenital Anomaly [Observation: templateId 2.16.840.1.113883.10.20.26.19]	IF CDH = 'Y' then /code@code= Code= '73780-9', CodeSystemName= 'LOINC', DisplayName='Congenital anomalies of the newborn' AND /value@code= Code=' 17190001', CodeSystemName= 'SNOMED CT', DisplayName= 'Congenital diaphragmatic hernia'

Form Data Element < V1 X.7>	Form Data Element Name	Section Level Map (if specific)	Entry Level Map to Birth CDA	Derivation Rule
CDIC	Congenital anomalies of the Newborn: Suspected chromosomal disorder karyotype confirmed	Reporting Birth Information from a clinical setting to vital records [ClinicalDocument: templateId 2.16.840.1.113883.10.20.26.1 Newborn Delivery Section (templateId: 2.16.840.1.113883.10.20.26.10)	Congenital Anomaly [Observation: templateId 2.16.840.1.113883.10.20.26.19]	IF CDIC = 'Y' then /code@code= Code= '73780-9', CodeSystemName= 'LOINC', DisplayName='Congenital anomalies of the newborn' AND /value@code= Code='409709004', CodeSystemName= 'SNOMED CT', DisplayName= 'Chromosomal Disorder' AND /entryRelationship/code@code Code=' 73778-3', CodeSystemName= 'LOINC', DisplayName=' Suspected chromosomal disorder karyotype status' /entryRelationship/value@code Code=' 442124003', CodeSystemName= 'SNOMED CT', DisplayName= 'Karyotype evaluation abnormal'
CDIS	Congenital anomalies of the Newborn: Suspected chromosomal Disorder	Reporting Birth Information from a clinical setting to vital records [ClinicalDocument: templateId 2.16.840.1.113883.10.20.26.1 Newborn Delivery Section (templateId: 2.16.840.1.113883.10.20.26.10)	Congenital Anomaly [Observation: templateId 2.16.840.1.113883.10.20.26.19]	IF CDIS = 'Y' then /code@code= Code= '73780-9', CodeSystemName= 'LOINC', DisplayName='Congenital anomalies of the newborn' AND /value@code= Code='409709004', CodeSystemName= 'SNOMED CT', DisplayName= 'Chromosomal Disorder'

Form Data Element < V1 X.7>	Form Data Element Name	Section Level Map (if specific)	Entry Level Map to Birth CDA	Derivation Rule
'CDIP	Congenital anomalies of the Newborn: Suspected chromosomal disorder karyotype pending	Reporting Birth Information from a clinical setting to vital records [ClinicalDocument: templateId 2.16.840.1.113883.10.20.26.1 Newborn Delivery Section (templateId: 2.16.840.1.113883.10.20.26.10)	Congenital Anomaly [Observation: templateId 2.16.840.1.113883.10.20.26.19]	IF CDIP = 'Y' then /code@code= Code= '73780-9', CodeSystemName= 'LOINC', DisplayName='Congenital anomalies of the newborn' AND /value@code= Code='409709004', CodeSystemName= 'SNOMED CT', DisplayName= 'Chromosomal Disorder' AND /entryRelationship/code@code Code=' 73778-3', CodeSystemName= 'LOINC', DisplayName=' Suspected chromosomal disorder karyotype status' /entryRelationship/value@code Code='312948004', CodeSystemName='SNOMED CT', DisplayName= 'Karyotype determination'
CL	Congenital anomalies of the Newborn: Cleft Lip with or without Cleft Palate	Reporting Birth Information from a clinical setting to vital records [ClinicalDocument: templateId 2.16.840.1.113883.10.20.26.1 Newborn Delivery Section (templateId: 2.16.840.1.113883.10.20.26.10)	Congenital Anomaly [Observation: templateId 2.16.840.1.113883.10.20.26.19]	IF CL = 'Y' then /code@code= Code= '73780-9', CodeSystemName= 'LOINC', DisplayName='Congenital anomalies of the newborn' AND /value@code= Code= '80281008', CodeSystemName= 'SNOMED CT', DisplayName= 'Cleft lip'

Form Data Element < V1 X.7>	Form Data Element Name	Section Level Map (if specific)	Entry Level Map to Birth CDA	Derivation Rule
CP	Congenital anomalies of the Newborn: Cleft Palate alone	Reporting Birth Information from a clinical setting to vital records [ClinicalDocument: templateId 2.16.840.1.113883.10.20.26.1 Newborn Delivery Section (templateId: 2.16.840.1.113883.10.20.26.10)	Congenital Anomaly [Observation: templateId 2.16.840.1.113883.10.20.26.19]	IF CP = 'Y' then /code@code= Code= '73780-9', CodeSystemName= 'LOINC', DisplayName='Congenital anomalies of the newborn' AND /value@code= Code= '87979003', CodeSystemName= 'SNOMED CT', DisplayName= 'Cleft palate'
DOWC	Congenital anomalies of the Newborn: Down Karyotype Confirmed	Reporting Birth Information from a clinical setting to vital records [ClinicalDocument: templateId 2.16.840.1.113883.10.20.26.1 Newborn Delivery Section (templateId: 2.16.840.1.113883.10.20.26.10)	Congenital Anomaly [Observation: templateId 2.16.840.1.113883.10.20.26.19]	IF DOWC = 'Y' then /code@code= Code= '73780-9', CodeSystemName= 'LOINC', DisplayName='Congenital anomalies of the newborn' AND /value@code= Code= '70156005', CodeSystemName= 'SNOMED CT', DisplayName= 'Anomaly of chromosome pair 21' AND /entryRelationship/code@code Code=' 73778-3', CodeSystemName= 'LOINC', DisplayName=' Suspected chromosomal disorder karyotype status' /entryRelationship/value@code Code=' 442124003', CodeSystemName= 'SNOMED CT', DisplayName= 'Karyotype evaluation abnormal'

Form Data Element < V1 X.7>	Form Data Element Name	Section Level Map (if specific)	Entry Level Map to Birth CDA	Derivation Rule
DOWN	Congenital anomalies of the Newborn: Down Syndrome	Reporting Birth Information from a clinical setting to vital records [ClinicalDocument: templateId 2.16.840.1.113883.10.20.26.1 Newborn Delivery Section (templateId: 2.16.840.1.113883.10.20.26.10)	Congenital Anomaly [Observation: templateId 2.16.840.1.113883.10.20.26.19]	IF DOWN = 'Y' then /code@code= Code= '73780-9', CodeSystemName= 'LOINC', DisplayName='Congenital anomalies of the newborn' AND /value@code= Code= '70156005', CodeSystemName= 'SNOMED CT', DisplayName= 'Anomaly of chromosome pair 21'
DOWP	Congenital anomalies of the Newborn: Down Karyotype Pending	Reporting Birth Information from a clinical setting to vital records [ClinicalDocument: templateId 2.16.840.1.113883.10.20.26.1 Newborn Delivery Section (templateId: 2.16.840.1.113883.10.20.26.10)	Congenital Anomaly [Observation: templateId 2.16.840.1.113883.10.20.26.19]	IF DOWP = 'Y' then /code@code= Code= '73780-9', CodeSystemName= 'LOINC', DisplayName='Congenital anomalies of the newborn' AND /value@code= Code= '70156005', CodeSystemName= 'SNOMED CT', DisplayName= 'Anomaly of chromosome pair 21' AND /entryRelationship/code@code Code=' 73778-3', CodeSystemName= 'LOINC', DisplayName=' Suspected chromosomal disorder karyotype status' /entryRelationship/value@code Code='312948004', CodeSystemName= 'SNOMED CT', DisplayName= 'Karyotype determination'

Form Data Element < V1 X.7>	Form Data Element Name	Section Level Map (if specific)	Entry Level Map to Birth CDA	Derivation Rule
GAST	Congenital anomalies of the Newborn: Gastroschisis	Reporting Birth Information from a clinical setting to vital records [ClinicalDocument: templateId 2.16.840.1.113883.10.20.26.1 Newborn Delivery Section (templateId: 2.16.840.1.113883.10.20.26.10)	Congenital Anomaly [Observation: templateId 2.16.840.1.113883.10.20.26.19]	IF GAST = 'Y' then /code@code= Code= '73780-9', CodeSystemName= 'LOINC', DisplayName='Congenital anomalies of the newborn' AND /value@code= Code= '72951007', CodeSystemName= 'SNOMED CT', DisplayName= 'Gastroschisis'
HYPO	Congenital anomalies of the Newborn: Hypospadias	Reporting Birth Information from a clinical setting to vital records [ClinicalDocument: templateId 2.16.840.1.113883.10.20.26.1 Newborn Delivery Section (templateId: 2.16.840.1.113883.10.20.26.10)	Congenital Anomaly [Observation: templateId 2.16.840.1.113883.10.20.26.19]	IF HYPO = 'Y' then /code@code= Code= '73780-9', CodeSystemName= 'LOINC', DisplayName='Congenital anomalies of the newborn' AND /value@code= Code= '416010008', CodeSystemName= 'SNOMED CT', DisplayName= 'Hypospadias'
LIMB	Congenital anomalies of the Newborn: Limb reduction defect	Reporting Birth Information from a clinical setting to vital records [ClinicalDocument: templateId 2.16.840.1.113883.10.20.26.1 Newborn Delivery Section (templateId: 2.16.840.1.113883.10.20.26.10)	Congenital Anomaly [Observation: templateId 2.16.840.1.113883.10.20.26.19]	IF LIMB = 'Y' then /code@code= Code= '73780-9', CodeSystemName= 'LOINC', DisplayName='Congenital anomalies of the newborn' AND /value@code= Code= '67341007', CodeSystemName= 'SNOMED CT', DisplayName= 'Longitudinal deficiency of limb'

Form Data Element < V1 X.7>	Form Data Element Name	Section Level Map (if specific)	Entry Level Map to Birth CDA	Derivation Rule
MNSB	Congenital anomalies of the Newborn: Meningomyelocele/ Spina Bifida	Reporting Birth Information from a clinical setting to vital records [ClinicalDocument: templateId 2.16.840.1.113883.10.20.26.1 Newborn Delivery Section (templateId: 2.16.840.1.113883.10.20.26.10)	Congenital Anomaly [Observation: templateId 2.16.840.1.113883.10.20.26.19]	IF MNSB = 'Y' then /code@code= Code= '73780-9', CodeSystemName= 'LOINC', DisplayName='Congenital anomalies of the newborn' AND /value@code= Code= '67341007', CodeSystemName= 'SNOMED CT', DisplayName= 'Longitudinal deficiency of limb'
OMPH	Congenital anomalies of the Newborn: Omphalocele	Reporting Birth Information from a clinical setting to vital records [ClinicalDocument: templateId 2.16.840.1.113883.10.20.26.1 Newborn Delivery Section (templateId: 2.16.840.1.113883.10.20.26.10)	Congenital Anomaly [Observation: templateId 2.16.840.1.113883.10.20.26.19]	IF OMPH = 'Y' then /code@code= Code= '73780-9', CodeSystemName= 'LOINC', DisplayName='Congenital anomalies of the newborn' AND /value@code= Code= '18735004', CodeSystemName= 'SNOMED CT', DisplayName= 'Congenital omphalocele'
NOA55	Congenital anomalies of the Newborn: None of the anomalies listed above	Reporting Birth Information from a clinical setting to vital records [ClinicalDocument: templateId 2.16.840.1.113883.10.20.26.1 Newborn Delivery Section (templateId: 2.16.840.1.113883.10.20.26.10)	Congenital Anomaly [Observation: templateId 2.16.840.1.113883.10.20.26.19]	IF NOA55= 'Y' then /code@code= Code= '73780-9', CodeSystemName= 'LOINC', DisplayName='Congenital anomalies of the newborn' AND /value@code= Code= '260413007', CodeSystemName= 'SNOMED CT', DisplayName= 'None'
DNA55	Congenital anomalies of the Newborn: Pending	Reporting Birth Information from a clinical setting to vital records [ClinicalDocument: templateId 2.16.840.1.113883.10.20.26.1 Newborn Delivery Section (templateId: 2.16.840.1.113883.10.20.26.10)	Congenital Anomaly [Observation: templateId 2.16.840.1.113883.10.20.26.19]	NULL

Form Data Element < V1 X.7>	Form Data Element Name	Section Level Map (if specific)	Entry Level Map to Birth CDA	Derivation Rule
YLLB	Date of last live birth:	Reporting Birth Information from a clinical setting to vital records [ClinicalDocument: templateId 2.16.840.1.113883.10.20.26.1] Prior Pregnancy History Section (templateId: 2.16.840.1.113883.10.20.26.12)	Date of Last Live Birth (templateId: 2.16.840.1.113883.10.20.26.20)	/code@code= Code='68499-3', CodeSystemName= 'LOINC', DisplayName='Date last live birth' AND /value@value= YLLB
MLLB	Date of last live birth:	Reporting Birth Information from a clinical setting to vital records [ClinicalDocument: templateId 2.16.840.1.113883.10.20.26.1] Prior Pregnancy History Section (templateId: 2.16.840.1.113883.10.20.26.12)	Date of Last Live Birth (templateId: 2.16.840.1.113883.10.20.26.20)	/code@code= Code='68499-3', CodeSystemName= 'LOINC', DisplayName='Date last live birth' AND /value@value= MLLB
DLMP_DY	Date last Normal Menses began:	Reporting Birth Information from a clinical setting to vital records [ClinicalDocument: templateId 2.16.840.1.113883.10.20.26.1] Prior Pregnancy History Section (templateId: 2.16.840.1.113883.10.20.26.12)	Last Menstrual Period Date (templateId: 2.16.840.1.113883.10.20.26.33)	/code@code= Code='8665-2', CodeSystemName= 'LOINC', DisplayName='Date last menstrual period' AND /value@value contains DLMP_DY
DLMP_MO	Date last Normal Menses began:	Reporting Birth Information from a clinical setting to vital records [ClinicalDocument: templateId 2.16.840.1.113883.10.20.26.1] Prior Pregnancy History Section (templateId: 2.16.840.1.113883.10.20.26.12)	Last Menstrual Period Date (templateId: 2.16.840.1.113883.10.20.26.33)	/code@code= Code='8665-2', CodeSystemName= 'LOINC', DisplayName='Date last menstrual period' AND /value@value contains DLMP_MO



Form Data Element < V1 X.7>	Form Data Element Name	Section Level Map (if specific)	Entry Level Map to Birth CDA	Derivation Rule
DLMP_YR	Date last Normal Menses began:	Reporting Birth Information from a clinical setting to vital records [ClinicalDocument: templateId 2.16.840.1.113883.10.20.26.1] Prior Pregnancy History Section (templateId: 2.16.840.1.113883.10.20.26.12)	Last Menstrual Period Date (templateId: 2.16.840.1.113883.10.20.26.33)	/code@code= Code=' 8665-2', CodeSystemName= 'LOINC', DisplayName=' Date last menstrual period' AND /value@value contains DLMP_YR
YOPO	Date of Last Other Pregnancy Outcome: Year	Reporting Birth Information from a clinical setting to vital records [ClinicalDocument: templateId 2.16.840.1.113883.10.20.26.1] Prior Pregnancy History Section (templateId: 2.16.840.1.113883.10.20.26.12)	Other Pregnancy Outcome (templateId: 2.16.840.1.113883.10.20.26.40)	/code@code= Code='69043-8', CodeSystemName= 'LOINC', DisplayName='Other pregnancy outcomes' AND /effectiveTime contains YOPO
MOPO	Date of Last Other Pregnancy Outcome: Month	Reporting Birth Information from a clinical setting to vital records [ClinicalDocument: templateId 2.16.840.1.113883.10.20.26.1] Prior Pregnancy History Section (templateId: 2.16.840.1.113883.10.20.26.12)	Other Pregnancy Outcome (templateId: 2.16.840.1.113883.10.20.26.40)	/code@code= Code='69043-8', CodeSystemName= 'LOINC', DisplayName='Other pregnancy outcomes' AND /effectiveTime contains MOPO
ADDRESS_D	Facility Address	Reporting Birth Information from a clinical setting to vital records [ClinicalDocument: templateId 2.16.840.1.113883.10.20.26.1] Labor and Delivery Section [Section: templateId 2.16.840.1.113883.10.20.26.8]	Labor and Delivery Process [Act: templateId 2.16.840.1.113883.10.20.26.31]	/participant/participantRole/addr = ADDRESS_D

IHE Quality, Research and Public Health Technical Framework Supplement – Birth and Fetal Death Reporting-Enhanced (BFDR-E)

Form Data Element < V1 X.7>	Form Data Element Name	Section Level Map (if specific)	Entry Level Map to Birth CDA	Derivation Rule
FNAME	Facility Name (if Not institution, give street and number)	Reporting Birth Information from a clinical setting to vital records [ClinicalDocument: templateId 2.16.840.1.113883.10.20.26.1] Labor and Delivery Section [Section: templateId 2.16.840.1.113883.10.20.26.8]	Labor and Delivery Process [Act: templateId 2.16.840.1.113883.10.20.26.31]	/participant/participantRole/playingEntity/name = FNAME
FNPI	Facility National Provider Identifier	Reporting Birth Information from a clinical setting to vital records [ClinicalDocument: templateId 2.16.840.1.113883.10.20.26.1] Labor and Delivery Section [Section: templateId 2.16.840.1.113883.10.20.26.8]	Labor and Delivery Process [Act: templateId 2.16.840.1.113883.10.20.26.31]	/participant/participantRole/id = FNPI
CHAM	Infections present and treated during this pregnancy: Chlamydia	Reporting Birth Information from a clinical setting to vital records [ClinicalDocument: templateId 2.16.840.1.113883.10.20.26.1] History of Infection - Live Birth Section [Section: templateId 2.16.840.1.113883.10.20.26.5]	Infection Present - Live Birth (templateId: 2.16.840.1.113883.10.20.26.30)	IF CHAM = 'Y' then /code@code= Code= '72519-2', CodeSystemName= 'LOINC', DisplayName= 'Infections present and or treated during this pregnancy for live birth' AND /value@code= Code= '105629000', CodeSystemName= 'SNOMED CT', DisplayName= 'Chlamydia infection'
GON	Infections present and treated during this pregnancy: Gonorrhea	Reporting Birth Information from a clinical setting to vital records [ClinicalDocument: templateId 2.16.840.1.113883.10.20.26.1] History of Infection - Live Birth Section [Section: templateId 2.16.840.1.113883.10.20.26.5]	Infection Present (templateId: 2.16.840.1.113883.10.20.26.30)	IF GON = 'Y' then /code@code= Code= '72519-2', CodeSystemName= 'LOINC', DisplayName= 'Infections present and or treated during this pregnancy for live birth' AND /value@code= Code= '1562800', CodeSystemName= 'SNOMED CT', DisplayName= 'Gonorrhea'

Form Data Element < V1 X.7>	Form Data Element Name	Section Level Map (if specific)	Entry Level Map to Birth CDA	Derivation Rule
HEPB	Infections present and treated during this pregnancy: Hepatitis B	Reporting Birth Information from a clinical setting to vital records [ClinicalDocument: templateId 2.16.840.1.113883.10.20.26.1] History of Infection - Live Birth Section [Section: templateId 2.16.840.1.113883.10.20.26.5]	Infection Present (templateId: 2.16.840.1.113883.10.20.26.30)	IF HEPB = 'Y' then /code@code= Code= '72519-2', CodeSystemName= 'LOINC', DisplayName= 'Infections present and or treated during this pregnancy for live birth' AND /value@code= Code= '66071002', CodeSystemName= 'SNOMED CT', DisplayName= 'Type B viral hepatitis'
HEPC	Infections present and treated during this pregnancy: Hepatitis C	Reporting Birth Information from a clinical setting to vital records [ClinicalDocument: templateId 2.16.840.1.113883.10.20.26.1] History of Infection - Live Birth Section [Section: templateId 2.16.840.1.113883.10.20.26.5]	Infection Present (templateId: 2.16.840.1.113883.10.20.26.30)	IF HEPC = 'Y' then /code@code= Code= '72519-2', CodeSystemName= 'LOINC', DisplayName= 'Infections present and or treated during this pregnancy for live birth' AND /value@code= Code= '50711007', CodeSystemName= 'SNOMED CT', DisplayName= 'Viral hepatitis C'
SYPH	Infections present and treated during this pregnancy: Syphilis	Reporting Birth Information from a clinical setting to vital records [ClinicalDocument: templateId 2.16.840.1.113883.10.20.26.1] History of Infection - Live Birth Section [Section: templateId 2.16.840.1.113883.10.20.26.5]	Infection Present (templateId: 2.16.840.1.113883.10.20.26.30)	IF SYPH = 'Y' then /code@code= Code= '72519-2', CodeSystemName= 'LOINC', DisplayName= 'Infections present and or treated during this pregnancy for live birth' AND /value@code= Code= '76272004', CodeSystemName= 'SNOMED CT', DisplayName= 'Syphilis'

Form Data Element < V1 X.7>	Form Data Element Name	Section Level Map (if specific)	Entry Level Map to Birth CDA	Derivation Rule
NOA02	Infections present and treated during this pregnancy: None of the above	Reporting Birth Information from a clinical setting to vital records [ClinicalDocument: templateId 2.16.840.1.113883.10.20.26.1] History of Infection - Live Birth Section [Section: templateId 2.16.840.1.113883.10.20.26.5]	Infection Present (templateId: 2.16.840.1.113883.10.20.26.30)	IF NOA02 = 'Y' then /code@code= Code= '72519-2', CodeSystemName= 'LOINC', DisplayName= 'Infections present and or treated during this pregnancy for live birth' AND /value@code= Code= '260413007', CodeSystemName= 'SNOMED CT', DisplayName= 'None'
AINT	Maternal Morbidity: - Admission to Intensive care [unit]	Reporting Birth Information from a clinical setting to vital records [ClinicalDocument: templateId 2.16.840.1.113883.10.20.26.1] Labor and Delivery Section [Section: templateId 2.16.840.1.113883.10.20.26.8]	Labor and Delivery Process [Act: templateId 2.16.840.1.113883.10.20.26.31] Maternal Morbidity (templateId: 2.16.840.1.113883.10.20.26.34)	IF AINT = 'Y' then /code@code= Code= '73781-7', CodeSystemName= 'LOINC', DisplayName= 'Maternal morbidity' AND /value@code= Code= '309904001', CodeSystemName= 'SNOMED CT', DisplayName= 'Intensive care unit'
MTR	Maternal Morbidity: Maternal Transfusion	Reporting Birth Information from a clinical setting to vital records [ClinicalDocument: templateId 2.16.840.1.113883.10.20.26.1] Labor and Delivery Section [Section: templateId 2.16.840.1.113883.10.20.26.8]	Labor and Delivery Process [Act: templateId 2.16.840.1.113883.10.20.26.31] Maternal Morbidity (templateId: 2.16.840.1.113883.10.20.26.34)	IF MTR = 'Y' then /code@code= Code= '73781-7', CodeSystemName= 'LOINC', DisplayName= 'Maternal morbidity' AND /value@code= Code= '116859006', CodeSystemName= 'SNOMED CT', DisplayName= 'Maternal Transfusion'

Form Data Element < V1 X.7>	Form Data Element Name	Section Level Map (if specific)	Entry Level Map to Birth CDA	Derivation Rule
PLAC	Maternal Morbidity: [Third or fourth degree] perineal laceration	Reporting Birth Information from a clinical setting to vital records [ClinicalDocument: templateId 2.16.840.1.113883.10.20.26.1] Labor and Delivery Section [Section: templateId 2.16.840.1.113883.10.20.26.8]	Labor and Delivery Process [Act: templateId 2.16.840.1.113883.10.20.26.31] Maternal Morbidity (templateId: 2.16.840.1.113883.10.20.26.34)	IF PLAC = 'Y' then /code@code= Code= '73781-7', CodeSystemName= 'LOINC', DisplayName= 'Maternal morbidity' AND /value@code= Code= '398019008', CodeSystemName= 'SNOMED CT', DisplayName= 'Perineal laceration during delivery'
RUT	Maternal Morbidity: Ruptured Uterus	Reporting Birth Information from a clinical setting to vital records [ClinicalDocument: templateId 2.16.840.1.113883.10.20.26.1] Labor and Delivery Section [Section: templateId 2.16.840.1.113883.10.20.26.8]	Labor and Delivery Process [Act: templateId 2.16.840.1.113883.10.20.26.31] Maternal Morbidity (templateId: 2.16.840.1.113883.10.20.26.34)	IF RUT = 'Y' then /code@code= Code= '73781-7', CodeSystemName= 'LOINC', DisplayName= 'Maternal morbidity' AND /value@code= Code= '34430009', CodeSystemName= 'SNOMED CT', DisplayName= 'Rupture of uterus'
UHYS	Maternal Morbidity: Unplanned hysterectomy	Reporting Birth Information from a clinical setting to vital records [ClinicalDocument: templateId 2.16.840.1.113883.10.20.26.1] Labor and Delivery Section [Section: templateId 2.16.840.1.113883.10.20.26.8]	Labor and Delivery Process [Act: templateId 2.16.840.1.113883.10.20.26.31] Maternal Morbidity (templateId: 2.16.840.1.113883.10.20.26.34)	IF UHYS = 'Y' then /code@code= Code= '73781-7', CodeSystemName= 'LOINC', DisplayName= 'Maternal morbidity' AND /value@code= Code= '625654015', CodeSystemName= 'SNOMED CT', DisplayName= 'Emergency cesarean hysterectomy'

Form Data Element < V1 X.7>	Form Data Element Name	Section Level Map (if specific)	Entry Level Map to Birth CDA	Derivation Rule
UOPR	Maternal Morbidity: Unplanned operat[ing]ion [room procedure following delivery]	Reporting Birth Information from a clinical setting to vital records [ClinicalDocument: templateId 2.16.840.1.113883.10.20.26.1] Labor and Delivery Section [Section: templateId 2.16.840.1.113883.10.20.26.8]	Labor and Delivery Process [Act: templateId 2.16.840.1.113883.10.20.26.31] Maternal Morbidity (templateId: 2.16.840.1.113883.10.20.26.34)	IF UOPR = 'Y' then /code@code= Code= '73781-7', CodeSystemName= 'LOINC', DisplayName= 'Maternal morbidity' AND /value@code= Code= '177217006', CodeSystemName= 'SNOMED CT', DisplayName= 'Immediate repair of obstetric laceration'
NOA05	Maternal Morbidity:None of the above  NOTE: NOA05 is also used for onset of labor	Reporting Birth Information from a clinical setting to vital records [ClinicalDocument: templateId 2.16.840.1.113883.10.20.26.1] Labor and Delivery Section [Section: templateId 2.16.840.1.113883.10.20.26.8]	Labor and Delivery Process [Act: templateId 2.16.840.1.113883.10.20.26.31] Maternal Morbidity (templateId: 2.16.840.1.113883.10.20.26.34)	IF NOA05 = 'Y' then /code@code= Code= '73781-7', CodeSystemName= 'LOINC', DisplayName= 'Maternal morbidity' AND /value@code= Code= '260413007', CodeSystemName= 'SNOMED CT', DisplayName= 'None'

Form Data Element < V1 X.7>	Form Data Element Name	Section Level Map (if specific)	Entry Level Map to Birth CDA	Derivation Rule
PRES	Method of Delivery: Fetal presentation [at birth]: Cephalic	Reporting Birth Information from a clinical setting to vital records [ClinicalDocument: templateId 2.16.840.1.113883.10.20.26.1] Labor and Delivery Section [Section: templateId 2.16.840.1.113883.10.20.26.8] Labor and Delivery Procedure Section [Section: templateId 2.16.840.1.113883.10.20.26.7]	Method of Delivery [Procedure: templateId 2.16.840.1.113883.10.20.26.45]	IF PRES = '1' then entryRelationship/code@code= Code= '73761-9', CodeSystemName= 'LOINC', DisplayName= 'Fetal presentation at birth' AND entryRelationship/value@code= Code= '6096002', CodeSystemName= 'SNOMED CT', DisplayName= 'Breech presentation' ELSE IF PRES = '2' then entryRelationship/code@code= Code= '73761-9', CodeSystemName= 'LOINC', DisplayName= 'Fetal presentation at birth' AND entryRelationship/value@code= Code= '70028003', CodeSystemName= 'SNOMED CT', DisplayName= 'Vertex Presentation' ELSE IF PRES = '3' then entryRelationship/code@code= Code= '73761-9', CodeSystemName= 'LOINC', DisplayName= 'Fetal presentation at birth' AND entryRelationship/value@code= Code= '394841004', CodeSystemName= 'SNOMED CT', DisplayName= 'Other category' ELSE IF PRES = '9' then entryRelationship/code@code= Code= '73761-9', CodeSystemName= 'LOINC', DisplayName= 'Fetal presentation at birth' AND entryRelationship/value@code= Code= '261665006', CodeSystemName= 'SNOMED CT', DisplayName= 'Unknowncategory'

Form Data Element < V1 X.7>	Form Data Element Name	Section Level Map (if specific)	Entry Level Map to Birth CDA	Derivation Rule
ROUT	Method of Delivery: [Final]Route and method of delivery	Reporting Birth Information from a clinical setting to vital records [ClinicalDocument: templateId 2.16.840.1.113883.10.20.26.1] Labor and Delivery Section [Section: templateId 2.16.840.1.113883.10.20.26.8] Labor and Delivery Procedure Section [Section: templateId 2.16.840.1.113883.10.20.26.7]	Method of Delivery [Procedure: templateId 2.16.840.1.113883.10.20.26.45]	IF ROUT = '1' then entryRelationship/code@code= Code= '73762-7', CodeSystemName= 'LOINC', DisplayName= 'Final route and method of delivery' AND entryRelationship/value@code= Code= '48782003', CodeSystemName= 'SNOMED CT', DisplayName= 'Delivery normal' ELSE IF ROUT = '4' then entryRelationship/code@code= Code= '73762-7', CodeSystemName= 'LOINC', DisplayName= 'Final route and method of delivery' AND entryRelationship/value@code= Code= '11466000', CodeSystemName= 'SNOMED CT', DisplayName= 'Cesarean section' ELSE IF ROUT = '9' then entryRelationship/code@code= Code= '73762-7', CodeSystemName= 'LOINC', DisplayName= 'Final route and method of delivery' AND entryRelationship/value@code= Code= '261665006', CodeSystemName= 'SNOMED CT', DisplayName= 'Unknown category'



Form Data Element < V1 X.7>	Form Data Element Name	Section Level Map (if specific)	Entry Level Map to Birth CDA	Derivation Rule
TLAB	Method of Delivery: Trial of labor attempted	Reporting Birth Information from a clinical setting to vital records [ClinicalDocument: templateId 2.16.840.1.113883.10.20.26.1] Labor and Delivery Section [Section: templateId 2.16.840.1.113883.10.20.26.8] Labor and Delivery Procedure Section [Section: templateId 2.16.840.1.113883.10.20.26.7]	Method of Delivery [Procedure: templateId 2.16.840.1.113883.10.20.26.45]	IF TLAB = 'Y' then /code@code= Code= '72149-8', CodeSystemName= 'LOINC', DisplayName= 'Delivery method' AND entryRelationship /code@code= Code= '73762-7', CodeSystemName= 'LOINC', DisplayName= 'Final route and method of delivery' AND /entryRelationship/value@code= Code= '11466000', CodeSystemName= 'SNOMED CT', DisplayName= 'Cesarean section' AND /entryRelationship/entryRelationship/code@code = Code= '73760-1', CodeSystemName= 'LOINC', Displayname= 'If cesarean, a trial of labor was attempted' AND /entryRelationship /entryRelationship/value@code= Boolean form of TLAB
MFNAME	Mother's Current Legal Name: First Name	Reporting Birth Information from a clinical setting to vital records [ClinicalDocument: templateId 2.16.840.1.113883.10.20.26.1]		/recordtarget/patientRole/patient/name contains MFNAME
MMNAME	Mother's Current Legal Name: Middle Name	Reporting Birth Information from a clinical setting to vital records [ClinicalDocument: templateId 2.16.840.1.113883.10.20.26.1]		/recordtarget/patientRole/patient/name contains MMNAME

Form Data Element < V1 X.7>	Form Data Element Name	Section Level Map (if specific)	Entry Level Map to Birth CDA	Derivation Rule
MLNAME	Mother's Current Legal Name: Last Name	Reporting Birth Information from a clinical setting to vital records [ClinicalDocument: templateId 2.16.840.1.113883.10.20.26.1]		/recordtarget/patientRole/patient/name contains MLNAME
MSUFF	Mother's Current Legal Name: suffix	Reporting Birth Information from a clinical setting to vital records [ClinicalDocument: templateId 2.16.840.1.113883.10.20.26.1]		/recordtarget/patientRole/patient/name contains MSUFF
HFT	Mother's Height: Feet	Reporting Birth Information from a clinical setting to vital records [ClinicalDocument: templateId 2.16.840.1.113883.10.20.26.1] Labor and Delivery Section [Section: templateId 2.16.840.1.113883.10.20.26.8] Mother's Vital Signs Section [Section: templateId 2.16.840.1.113883.10.20.26.9]	Mother's Vital Signs Observation (templateId: 2.16.840.1.113883.10.20.26.46)	/code@code= Code='3137-7', CodeSystemName='LOINC', DisplayName='Body height' AND /value@value= HFT(PQ) /value/@unit= 'ft'
HIN	Mother's Height: Inches	Reporting Birth Information from a clinical setting to vital records [ClinicalDocument: templateId 2.16.840.1.113883.10.20.26.1] Labor and Delivery Section [Section: templateId 2.16.840.1.113883.10.20.26.8] Mother's Vital Signs Section [Section: templateId 2.16.840.1.113883.10.20.26.9]	Mother's Vital Signs Observation (templateId: 2.16.840.1.113883.10.20.26.46)	/code@code= Code='3137-7', CodeSystemName='LOINC', DisplayName='Body height' AND /value@value= HIN(PQ) /value/@unit= 'in'

Form Data Element < V1 X.7>	Form Data Element Name	Section Level Map (if specific)	Entry Level Map to Birth CDA	Derivation Rule
MRECNUM	Mother's medical record number	Reporting Birth Information from a clinical setting to vital records [ClinicalDocument: templateId 2.16.840.1.113883.10.20.26.1]		recordTarget/patientRole/id = MRECNUM
PWGT	Mother's pre-pregnancy weight	Reporting Birth Information from a clinical setting to vital records [ClinicalDocument: templateId 2.16.840.1.113883.10.20.26.1] Labor and Delivery Section [Section: templateId 2.16.840.1.113883.10.20.26.8] Mother's Vital Signs Section [Section: templateId 2.16.840.1.113883.10.20.26.9]	Mother's Vital Signs Observation (templateId: 2.16.840.1.113883.10.20.26.46)	/code@code= Code='56077-1', CodeSystemName= 'LOINC', DisplayName= 'Body weight -- pre current pregnancy' AND /value@value= PWGT(PQ) /value/@unit= 'lb'
NFACL	Mother: If Mother transferred for maternal medical or fetal indications for delivery, enter name of facility mother transferred from.	Reporting Birth Information from a clinical setting to vital records [ClinicalDocument: templateId 2.16.840.1.113883.10.20.26.1] Labor and Delivery Section (templateId: 2.16.840.1.113883.10.20.26.8) Labor and Delivery Process (templateId: 2.16.840.1.113883.10.20.26.31)	Maternal Transfer [Observation: templateId 2.16.840.1.113883.10.20.26.35]	/participant/participantRole/scopingEntity/name = NFACL

Form Data Element < V1 X.7>	Form Data Element Name	Section Level Map (if specific)	Entry Level Map to Birth CDA	Derivation Rule
TRAN	Mother transferred for maternal medical or fetal indications for delivery?	Reporting Birth Information from a clinical setting to vital records [ClinicalDocument: templateId 2.16.840.1.113883.10.20.26.1] Labor and Delivery Section (templateId: 2.16.840.1.113883.10.20.26.8) Labor and Delivery Process (templateId: 2.16.840.1.113883.10.20.26.31)	Maternal Transfer [Observation: templateId 2.16.840.1.113883.10.20.26.35]	/code@code= Code='73763-5', CodeSystemName= 'LOINC', DisplayName=' Mother was transferred for maternal medical or fetal indications for delivery' AND /value@value= Boolean form of TRAN
DWGT	Mother's weight at delivery	Reporting Birth Information from a clinical setting to vital records [ClinicalDocument: templateId 2.16.840.1.113883.10.20.26.1] Labor and Delivery Section [Section: templateId 2.16.840.1.113883.10.20.26.8] Mother's Vital Signs Section [Section: templateId 2.16.840.1.113883.10.20.26.9]	Mother's Vital Signs Observation (templateId: 2.16.840.1.113883.10.20.26.46)	/code@code= Code='69461-2', CodeSystemName= 'LOINC', DisplayName=' Body weight mother -- at delivery' AND /value@value= DWGT(PQ) /value/@unit= 'lb'
POPO	Number of other pregnancy outcomes	Reporting Birth Information from a clinical setting to vital records [ClinicalDocument: templateId 2.16.840.1.113883.10.20.26.1] Prior Pregnancy History Section [Section: templateId 2.16.840.1.113883.10.20.26.12]	Other Pregnancy Outcome (templateId: 2.16.840.1.113883.10.20.26.40)	/code@code= Code='69043-8', CodeSystemName= 'LOINC', DisplayName=' Other pregnancy outcomes' AND /value@value= POPO(int)

Form Data Element < V1 X.7>	Form Data Element Name	Section Level Map (if specific)	Entry Level Map to Birth CDA	Derivation Rule
PLBD	Number of previous live births now dead (do not include this child)	Reporting Birth Information from a clinical setting to vital records [ClinicalDocument: templateId 2.16.840.1.113883.10.20.26.1] Prior Pregnancy History Section [Section: templateId 2.16.840.1.113883.10.20.26.12]	Number of Live Births now Dead (templateId: 2.16.840.1.113883.10.20.26.38)	/code@code= Code='68496-9', CodeSystemName= 'LOINC', DisplayName= 'Live births now dead' AND /value@value= PLBD(int)
PLBL	Number of previous live births now living (do not include this child)	Reporting Birth Information from a clinical setting to vital records [ClinicalDocument: templateId 2.16.840.1.113883.10.20.26.1] Prior Pregnancy History Section [Section: templateId 2.16.840.1.113883.10.20.26.12]	Number of Births Now Living (templateId: 2.16.840.1.113883.10.20.26.36)	/code@code= Code='11638-4', CodeSystemName= 'LOINC', DisplayName= 'Births still living' AND /value@value= PLBL(int)
OWGEST	Obstetric Estimate of Gestation	Reporting Birth Information from a clinical setting to vital records [ClinicalDocument: templateId 2.16.840.1.113883.10.20.26.1] Prior Pregnancy History Section [Section: templateId 2.16.840.1.113883.10.20.26.12]	Estimate of Gestation (templateId: 2.16.840.1.113883.10.20.26.21)	/code@code= Code='11884-4', CodeSystemName= 'LOINC', DisplayName= 'Gestational age Estimated' AND /value@value= OWGEST(int)

Form Data Element < V1 X.7>	Form Data Element Name	Section Level Map (if specific)	Entry Level Map to Birth CDA	Derivation Rule
CERV	Obstetric procedures: Cervical cerclage	Reporting Birth Information from a clinical setting to vital records [ClinicalDocument: templateId 2.16.840.1.113883.10.20.26.1] Labor and Delivery Section (templateId: 2.16.840.1.113883.10.20.26.8) Labor and Delivery Procedure Section (templateId: 2.16.840.1.113883.10.20.26.7)	Obstetric Procedure (templateId: 2.16.840.1.113883.10.20.26.39)	IF CERV = 'Y' then /code@code= Code= '265636007', CodeSystemName= 'SNOMED CT', DisplayName= 'Cerclage of cervix' /@negationInd = false
ECVF	Obstetric procedures: Failed External cephalic Version	Reporting Birth Information from a clinical setting to vital records [ClinicalDocument: templateId 2.16.840.1.113883.10.20.26.1] Labor and Delivery Section (templateId: 2.16.840.1.113883.10.20.26.8) Labor and Delivery Procedure Section (templateId: 2.16.840.1.113883.10.20.26.7)	Obstetric Procedure (templateId: 2.16.840.1.113883.10.20.26.39)	PENDING
ECVS	Obstetric procedures: Successful External cephalic version	Reporting Birth Information from a clinical setting to vital records [ClinicalDocument: templateId 2.16.840.1.113883.10.20.26.1] Labor and Delivery Section (templateId: 2.16.840.1.113883.10.20.26.8) Labor and Delivery Procedure Section (templateId: 2.16.840.1.113883.10.20.26.7)	Obstetric Procedure (templateId: 2.16.840.1.113883.10.20.26.39)	IF ECVS = 'Y' then /code@code= Code= '240278000', CodeSystemName= 'SNOMED CT', DisplayName= 'External Cephalic Version' /@negationInd = false

Form Data Element < V1 X.7>	Form Data Element Name	Section Level Map (if specific)	Entry Level Map to Birth CDA	Derivation Rule
TOC	Obstetric procedures: Tocolysis	Reporting Birth Information from a clinical setting to vital records [ClinicalDocument: templateId 2.16.840.1.113883.10.20.26.1] Labor and Delivery Section (templateId: 2.16.840.1.113883.10.20.26.8) Labor and Delivery Procedure Section (templateId: 2.16.840.1.113883.10.20.26.7)	Obstetric Procedure (templateId: 2.16.840.1.113883.10.20.26.39)	IF TOC = 'Y' then /code@code= Code= '103747003', CodeSystemName= 'SNOMED CT', DisplayName= 'Tocolysis' /@negationInd = false
NOA03	Obstetric procedures: None of the above	Reporting Birth Information from a clinical setting to vital records [ClinicalDocument: templateId 2.16.840.1.113883.10.20.26.1] Labor and Delivery Section (templateId: 2.16.840.1.113883.10.20.26.8) Labor and Delivery Procedure Section (templateId: 2.16.840.1.113883.10.20.26.7)	Obstetric Procedure (templateId: 2.16.840.1.113883.10.20.26.39)	IF NOA03 = 'Y' then /code@code= Code= '260413007', CodeSystemName= 'SNOMED CT', DisplayName= 'None' /@negationInd = false
PROM	Onset of labor: Premature Rupture	Reporting Birth Information from a clinical setting to vital records [ClinicalDocument: templateId 2.16.840.1.113883.10.20.26.1] Labor and Delivery Section (templateId: 2.16.840.1.113883.10.20.26.8)	Onset of Labor [Observation: templateId 2.16.840.1.113883.10.20.26.32]	IF PROM = 'Y' then /code@code= Code= '73774-2', CodeSystemName= 'LOINC', DisplayName= 'Onset of labor' AND /value@code= Code= '44223004', CodeSystemName= 'SNOMED CT', DisplayName= 'Premature rupture of membranes'

Form Data Element < V1 X.7>	Form Data Element Name	Section Level Map (if specific)	Entry Level Map to Birth CDA	Derivation Rule
PRIC	Onset of labor: Precipitous Labor	Reporting Birth Information from a clinical setting to vital records [ClinicalDocument: templateId 2.16.840.1.113883.10.20.26.1] Labor and Delivery Section (templateId: 2.16.840.1.113883.10.20.26.8)	Onset of Labor [Observation: templateId 2.16.840.1.113883.10.20.26.32]	IF PRIC = 'Y' then /code@code= Code= '73774-2', CodeSystemName= 'LOINC', DisplayName= 'Onset of labor' AND /value@code= Code= '51920004', CodeSystemName= 'SNOMED CT', DisplayName= 'Precipitate labor'
PROL	Onset of labor: Prolonged Labor	Reporting Birth Information from a clinical setting to vital records [ClinicalDocument: templateId 2.16.840.1.113883.10.20.26.1] Labor and Delivery Section (templateId: 2.16.840.1.113883.10.20.26.8)	Onset of Labor [Observation: templateId 2.16.840.1.113883.10.20.26.32]	IF PROL = 'Y' then /code@code= Code= '73774-2', CodeSystemName= 'LOINC', DisplayName= 'Onset of labor' AND /value@code= Code= '53443007', CodeSystemName= 'SNOMED CT', DisplayName= Prolonged labor'
NOA05	Onset of labor: None of the above NOTE: NOA05 is also used for Maternal Morbidity	Reporting Birth Information from a clinical setting to vital records [ClinicalDocument: templateId 2.16.840.1.113883.10.20.26.1] Labor and Delivery Section (templateId: 2.16.840.1.113883.10.20.26.8)	Onset of Labor [Observation: templateId 2.16.840.1.113883.10.20.26.32]	IF NOA05 = 'Y' then /code@code= Code= '73774-2', CodeSystemName= 'LOINC', DisplayName= 'Onset of labor' AND /value@code= Code= '260413007', CodeSystemName= 'SNOMED CT', DisplayName= 'None'
SFN	Place where birth occurred: State Facility Number	Reporting Birth Information from a clinical setting to vital records [ClinicalDocument: templateId 2.16.840.1.113883.10.20.26.1] Labor and Delivery Section (templateId: 2.16.840.1.113883.10.20.26.8)	Labor and Delivery Process [Act: templateId 2.16.840.1.113883.10.20.26.31]	/participant/participantRole/id = SFN



Form Data Element < V1 X.7>	Form Data Element Name	Section Level Map (if specific)	Entry Level Map to Birth CDA	Derivation Rule
FLOC	Place where birth occurred: Facility City/Town	Reporting Birth Information from a clinical setting to vital records [ClinicalDocument: templateId 2.16.840.1.113883.10.20.26.1] Labor and Delivery Section (templateId: 2.16.840.1.113883.10.20.26.8)	Labor and Delivery Process [Act: templateId 2.16.840.1.113883.10.20.26.31]	/participant/participantRole/addr contains FLOC
CNAME	Place where birth occurred: County Name	Reporting Birth Information from a clinical setting to vital records [ClinicalDocument: templateId 2.16.840.1.113883.10.20.26.1] Labor and Delivery Section (templateId: 2.16.840.1.113883.10.20.26.8)	Labor and Delivery Process [Act: templateId 2.16.840.1.113883.10.20.26.31]	/participant/participantRole/addr contains CNAME
CNTYO	Place where birth occurred: County Code	Reporting Birth Information from a clinical setting to vital records [ClinicalDocument: templateId 2.16.840.1.113883.10.20.26.1] Labor and Delivery Section (templateId: 2.16.840.1.113883.10.20.26.8)	Labor and Delivery Process [Act: templateId 2.16.840.1.113883.10.20.26.31]	/participant/participantRole/addr contains CNTYO

IHE Quality, Research and Public Health Technical Framework Supplement – Birth and Fetal Death Reporting-Enhanced (BFDR-E)

Form Data Element < V1 X.7>	Form Data Element Name	Section Level Map (if specific)	Entry Level Map to Birth CDA	Derivation Rule
BPLACE	Place where birth occurred: Birth Place	Reporting Birth Information from a clinical setting to vital records [ClinicalDocument: templateId 2.16.840.1.113883.10.20.26.1] Labor and Delivery Section (templateId: 2.16.840.1.113883.10.20.26.8)	Labor and Delivery Process [Act: templateId 2.16.840.1.113883.10.20.26.31]	<pre> IF BPLACE = '1' then /participant/participantRole/code@code = Code= '22232009', CodeSystemName= 'SNOMED CT', DisplayName= 'Hospital' ELSE IF BPLACE = '2' then /participant/participantRole/code@code = Code= '91154008', CodeSystemName= 'SNOMED CT', DisplayName= 'Free-standing birthing center' ELSE IF BPLACE = '3' then (/participant/participantRole/code@code = Code= '169813005', CodeSystemName= 'SNOMED CT', DisplayName= 'Home birth' AND /entryRelationship/component/[home Birth Plan [Observation: templateId 2.16.840.1.113883.10.20.26.26]] /code@code = Code= '73765-0', CodeSystemName= 'LOINC', DisplayName= 'Home birth' /value@code = '1') ELSE IF BPLACE = '4' then (/participant/participantRole/code@code = Code= '169813005', CodeSystemName= 'SNOMED CT', DisplayName= 'Home birth' AND /entryRelationship/component/[home Birth Plan [Observation: templateId 2.16.840.1.113883.10.20.26.26]] /code@code = Code= '73765-0', CodeSystemName= 'LOINC', DisplayName= 'Home birth' /value@code = '0') ELSE IF BPLACE = '5' then (/participant/participantRole/code@code = Code= '169813005', CodeSystemName= 'SNOMED CT', DisplayName= 'Home birth' AND /entryRelationship/component/[home Birth Plan [Observation: templateId 2.16.840.1.113883.10.20.26.26]] /code@code = Code= '73765-0',                     </pre>

Rev.  
Temp

Form Data Element < V1 X.7>	Form Data Element Name	Section Level Map (if specific)	Entry Level Map to Birth CDA	Derivation Rule
PLUR	Plurality	Reporting Birth Information from a clinical setting to vital records [ClinicalDocument: templateId 2.16.840.1.113883.10.20.26.1] Newborn Delivery Section [Section: templateId 2.16.840.1.113883.10.20.26.10]	Plurality [Observation: templateId 2.16.840.1.113883.10.20.26.41]	/code@code= Code='57722-1', CodeSystemName= 'LOINC', DisplayName= 'Birth plurality' AND /value@value= PLUR(int)
DOFP_MO	Prenatal care visits: Date of first prenatal care visit: Month	Reporting Birth Information from a clinical setting to vital records [ClinicalDocument: templateId 2.16.840.1.113883.10.20.26.1] Antenatal Testing and Surveillance Section [Section: templateId 2.16.840.1.113883.10.20.26.3]	Pre-Natal Care [Act: templateId 2.16.840.1.113883.10.20.26.42]	/effectiveTime[low]
DOFP_DY	Date of first prenatal care visit: Day	Reporting Birth Information from a clinical setting to vital records [ClinicalDocument: templateId 2.16.840.1.113883.10.20.26.1] Antenatal Testing and Surveillance Section [Section: templateId 2.16.840.1.113883.10.20.26.3]	Pre-Natal Care [Act: templateId 2.16.840.1.113883.10.20.26.42]	/effectiveTime[low]

Form Data Element < V1 X.7>	Form Data Element Name	Section Level Map (if specific)	Entry Level Map to Birth CDA	Derivation Rule
DOFP_YR	Date of first prenatal care visit: Year	Reporting Birth Information from a clinical setting to vital records [ClinicalDocument: templateId 2.16.840.1.113883.10.20.26.1] Antenatal Testing and Surveillance Section [Section: templateId 2.16.840.1.113883.10.20.26.3]	Pre-Natal Care [Act: templateId 2.16.840.1.113883.10.20.26.42]	/effectiveTime[low]
NPREV	Prenatal care visits: Total number of prenatal visits for this pregnancy	Reporting Birth Information from a clinical setting to vital records [ClinicalDocument: templateId 2.16.840.1.113883.10.20.26.1] Antenatal Testing and Surveillance Section [Section: templateId 2.16.840.1.113883.10.20.26.3]	Pre-Natal Care [Act: templateId 2.16.840.1.113883.10.20.26.42]	/entryRelationship/observation/code@code= Code='68493-6', CodeSystemName= 'LOINC', DisplayName= 'Prenatal visits for this pregnancy' AND /value@value= NPREV(int)
PAY	Principal source of payment for this delivery	Reporting Birth Information from a clinical setting to vital records [ClinicalDocument: templateId 2.16.840.1.113883.10.20.26.1] Labor and Delivery Section (templateId: 2.16.840.1.113883.10.20.26.8)	Labor and Delivery Process [Act: templateId 2.16.840.1.113883.10.20.26.31]	entryRelationship/observation/ code@code= Code= '68461-3', CodeSystemName= 'LOINC', DisplayName= 'Payment source' AND /value@code = PAY using Value Set 'Birth and Fetal Death Financial Class (NCHS) (2.16.840.1.114222.4.11.7163)

Form Data Element < V1 X.7>	Form Data Element Name	Section Level Map (if specific)	Entry Level Map to Birth CDA	Derivation Rule
PDIAB	Risk factors in this pregnancy: Prepregnancy Diabetes	Reporting Birth Information from a clinical setting to vital records [ClinicalDocument: templateId 2.16.840.1.113883.10.20.26.1] Labor and Delivery Section (templateId: 2.16.840.1.113883.10.20.26.8)	Labor and Delivery Process [Act: templateId 2.16.840.1.113883.10.20.26.31] Pregnancy Risk Factor (templateId: 2.16.840.1.113883.10.20.26.44)	IF PDIAB = 'Y' then /code@code= Code= '73775-9', CodeSystemName= 'LOINC', DisplayName= 'Risk factors in this pregnancy' AND /value@code= Code= '73211009', CodeSystemName= 'SNOMED CT', DisplayName= 'Diabetes mellitus'
GDIAB	Risk factors in this pregnancy: Gestational Diabetes	Reporting Birth Information from a clinical setting to vital records [ClinicalDocument: templateId 2.16.840.1.113883.10.20.26.1] Labor and Delivery Section (templateId: 2.16.840.1.113883.10.20.26.8)	Labor and Delivery Process [Act: templateId 2.16.840.1.113883.10.20.26.31] Pregnancy Risk Factor (templateId: 2.16.840.1.113883.10.20.26.44)	IF GDIAB = 'Y' then /code@code= Code= '73775-9', CodeSystemName= 'LOINC', DisplayName= 'Risk factors in this pregnancy' AND /value@code= Code= '11687002', CodeSystemName= 'SNOMED CT', DisplayName= 'Gestational diabetes mellitus'
PHYPE	Risk factors in this pregnancy: Prepregnancy Hypertension	Reporting Birth Information from a clinical setting to vital records [ClinicalDocument: templateId 2.16.840.1.113883.10.20.26.1] Labor and Delivery Section (templateId: 2.16.840.1.113883.10.20.26.8)	Labor and Delivery Process [Act: templateId 2.16.840.1.113883.10.20.26.31] Pregnancy Risk Factor (templateId: 2.16.840.1.113883.10.20.26.44)	IF PHYP = 'Y' then /code@code= Code= '73775-9', CodeSystemName= 'LOINC', DisplayName= 'Risk factors in this pregnancy' AND /value@code= Code= '38341003', CodeSystemName= 'SNOMED CT', DisplayName= 'Hypertensive disorder, systemic arterial'

Form Data Element < V1 X.7>	Form Data Element Name	Section Level Map (if specific)	Entry Level Map to Birth CDA	Derivation Rule
GHYPE	Risk factors in this pregnancy: Gestational Hypertension	Reporting Birth Information from a clinical setting to vital records [ClinicalDocument: templateId 2.16.840.1.113883.10.20.26.1] Labor and Delivery Section (templateId: 2.16.840.1.113883.10.20.26.8)	Labor and Delivery Process [Act: templateId 2.16.840.1.113883.10.20.26.31] Pregnancy Risk Factor (templateId: 2.16.840.1.113883.10.20.26.44)	IF GHYP = 'Y' then /code@code= Code= '73775-9', CodeSystemName= 'LOINC', DisplayName= 'Risk factors in this pregnancy' AND /value@code= Code= '48194001', CodeSystemName= 'SNOMED CT', DisplayName= 'Pregnancy-induced hypertension'
EHYPE	Risk factors in this pregnancy: Eclampsia	Reporting Birth Information from a clinical setting to vital records [ClinicalDocument: templateId 2.16.840.1.113883.10.20.26.1] Labor and Delivery Section (templateId: 2.16.840.1.113883.10.20.26.8)	Labor and Delivery Process [Act: templateId 2.16.840.1.113883.10.20.26.31] Pregnancy Risk Factor (templateId: 2.16.840.1.113883.10.20.26.44)	IF EHYP = 'Y' then /code@code= Code= '73775-9', CodeSystemName= 'LOINC', DisplayName= 'Risk factors in this pregnancy' AND /value@code= Code= '15938005', CodeSystemName= 'SNOMED CT', DisplayName= 'Eclampsia'
PPB	Risk factors in this pregnancy: Previous preterm births	Reporting Birth Information from a clinical setting to vital records [ClinicalDocument: templateId 2.16.840.1.113883.10.20.26.1] Labor and Delivery Section (templateId: 2.16.840.1.113883.10.20.26.8)	Labor and Delivery Process [Act: templateId 2.16.840.1.113883.10.20.26.31] Pregnancy Risk Factor (templateId: 2.16.840.1.113883.10.20.26.44)	IF PPB = 'Y' then /code@code= Code= '73775-9', CodeSystemName= 'LOINC', DisplayName= 'Risk factors in this pregnancy' AND /value@code= Code= '161765003', CodeSystemName= 'SNOMED CT', DisplayName= 'History of - premature delivery'

Form Data Element < V1 X.7>	Form Data Element Name	Section Level Map (if specific)	Entry Level Map to Birth CDA	Derivation Rule
INFT	Risk factors in this pregnancy: Infertility treatment	Reporting Birth Information from a clinical setting to vital records [ClinicalDocument: templateId 2.16.840.1.113883.10.20.26.1] Labor and Delivery Section (templateId: 2.16.840.1.113883.10.20.26.8)	Labor and Delivery Process [Act: templateId 2.16.840.1.113883.10.20.26.31] Pregnancy Risk Factor (templateId: 2.16.840.1.113883.10.20.26.44)	IF INFT = 'Y' then /code@code= Code= '73775-9', CodeSystemName= 'LOINC', DisplayName= 'Risk factors in this pregnancy' AND /value@code= Code= '65046005', CodeSystemName= 'SNOMED CT', DisplayName= 'Infertility Therapy'
INFT_DRG	Risk factors in this pregnancy: Infertility: Fertility Enhancing Drugs, AI	Reporting Birth Information from a clinical setting to vital records [ClinicalDocument: templateId 2.16.840.1.113883.10.20.26.1] Labor and Delivery Section (templateId: 2.16.840.1.113883.10.20.26.8)	Labor and Delivery Process [Act: templateId 2.16.840.1.113883.10.20.26.31] Pregnancy Risk Factor (templateId: 2.16.840.1.113883.10.20.26.44)	IF INFT_DRG = 'Y' then /code@code= Code= '73775-9', CodeSystemName= 'LOINC', DisplayName= 'Risk factors in this pregnancy' AND /value@code= Code= '58533008', CodeSystemName= 'SNOMED CT', DisplayName= 'Artificial insemination'
INFT_AR T	Risk factors in this pregnancy: Infertility: Asst. Rep. Technology	Reporting Birth Information from a clinical setting to vital records [ClinicalDocument: templateId 2.16.840.1.113883.10.20.26.1] Labor and Delivery Section (templateId: 2.16.840.1.113883.10.20.26.8)	Labor and Delivery Process [Act: templateId 2.16.840.1.113883.10.20.26.31] Pregnancy Risk Factor (templateId: 2.16.840.1.113883.10.20.26.44)	IF PCES = 'Y' then /code@code= Code= '73775-9', CodeSystemName= 'LOINC', DisplayName= 'Risk factors in this pregnancy' AND /value@code= Code= '200144004', CodeSystemName= 'SNOMED CT', DisplayName= 'Deliveries by cesarean'

Form Data Element < V1 X.7>	Form Data Element Name	Section Level Map (if specific)	Entry Level Map to Birth CDA	Derivation Rule
PCES	Risk factors in this pregnancy: Previous cesarean	Reporting Birth Information from a clinical setting to vital records [ClinicalDocument: templateId 2.16.840.1.113883.10.20.26.1] Labor and Delivery Section (templateId: 2.16.840.1.113883.10.20.26.8)	Labor and Delivery Process [Act: templateId 2.16.840.1.113883.10.20.26.31] Pregnancy Risk Factor (templateId: 2.16.840.1.113883.10.20.26.44)	IF NPCES = 'Y' then /code@code= Code= '73775-9', CodeSystemName= 'LOINC', DisplayName= 'Risk factors in this pregnancy' AND /value@code= Code= '200144004', CodeSystemName= 'SNOMED CT', DisplayName= 'Deliveries by cesarean'
NPCEs	Risk factors in this pregnancy: Number of previous cesareans	Reporting Birth Information from a clinical setting to vital records [ClinicalDocument: templateId 2.16.840.1.113883.10.20.26.1] Labor and Delivery Section (templateId: 2.16.840.1.113883.10.20.26.8)	Labor and Delivery Process [Act: templateId 2.16.840.1.113883.10.20.26.31] Pregnancy Risk Factor (templateId: 2.16.840.1.113883.10.20.26.44)	IF PCES = 'Y' then /code@code= Code= '73775-9', CodeSystemName= 'LOINC', DisplayName= 'Risk factors in this pregnancy' AND /value@code= Code= '200144004', CodeSystemName= 'SNOMED CT', DisplayName= 'Deliveries by cesarean' /entryRelationship/observation/code@code= Code= '68497-7', CodeSystemName= 'LOINC', DisplayName= 'Previous cesarean deliveries' AND /value@value= NPCEs(int)
NOA01	Risk factors in this pregnancy: None of the above	Reporting Birth Information from a clinical setting to vital records [ClinicalDocument: templateId 2.16.840.1.113883.10.20.26.1] Labor and Delivery Section (templateId: 2.16.840.1.113883.10.20.26.8)	Labor and Delivery Process [Act: templateId 2.16.840.1.113883.10.20.26.31] Pregnancy Risk Factor (templateId: 2.16.840.1.113883.10.20.26.44)	IF NOA01 = 'Y' then /code@code= Code= '73775-9', CodeSystemName= 'LOINC', DisplayName= 'Risk factors in this pregnancy' AND /value@code= Code= '260413007', CodeSystemName= 'SNOMED CT', DisplayName= 'None'



Form Data Element < V1 X.7>	Form Data Element Name	Section Level Map (if specific)	Entry Level Map to Birth CDA	Derivation Rule
SORD	Set Order	Reporting Birth Information from a clinical setting to vital records [ClinicalDocument: templateId 2.16.840.1.113883.10.20.26.1 Newborn Delivery Section (templateId: 2.16.840.1.113883.10.20.26.10)	Birth Order (templateId: 2.16.840.1.113883.10.20.26.16)	/code@code= Code='73771-8', CodeSystemName= 'LOINC', DisplayName= 'Birth order' AND /value@value= SORD(int)
FSEX	Child: (infant) Sex -	Reporting Birth Information from a clinical setting to vital records [ClinicalDocument: templateId 2.16.840.1.113883.10.20.26.1] Newborn Delivery Section [Section: templateId 2.16.840.1.113883.10.20.26.6]		/subject/relatedSubject/subject/administrativeGender = FSEX
FDOD_YR		NA	NA	
FDOD_MO		NA	NA	
FDOD_DY		NA	NA	
ETIME	Estimated Time of Fetal Death	NA	NA	

Form Data Element < V1 X.7>	Form Data Element Name	Section Level Map (if specific)	Entry Level Map to Birth CDA	Derivation Rule
LIVEB	Not single birth - specify number of infants in this delivery born alive.	Reporting Birth Information from a clinical setting to vital records [ClinicalDocument: templateId 2.16.840.1.113883.10.20.26.1] Newborn Delivery Section [Section: templateId 2.16.840.1.113883.10.20.26.10]	Number of Infants Born Alive (templateId: 2.16.840.1.113883.10.20.26.37)"	/code@code= Code='73773-4', CodeSystemName= 'LOINC', DisplayName= 'Number of infants in this delivery born alive' AND /value@value= LIVEB(int)
FDTH	Number of fetal deaths	NA	NA	
HYST	Method of Delivery: Hysterotomy/Hysterectomy?	NA	NA	
TD	Time of delivery	NA	NA	
AUTOP	Was an autopsy performed?	NA	NA	
FWO	Weight of Fetus (in ounces)	NA	NA	
FWG	Weight of Fetus (grams preferred, specify unit)	NA	NA	
FWP	Weight of Fetus (in pounds)	NA	NA	
LM	Infections present and treated during this pregnancy: Listeria	NA	NA	
GBS	Infections present and treated during this pregnancy: Group B Streptococcus	NA	NA	

Form Data Element < V1 X.7>	Form Data Element Name	Section Level Map (if specific)	Entry Level Map to Birth CDA	Derivation Rule
CMV	Infections present and treated during this pregnancy: Cytomeglovirus	NA	NA	
B19	Infections present and treated during this pregnancy: Parvovirus	NA	NA	
HISTOP	Was a Histological Placental Examination performed?	NA	NA	
TOXO	Infections present and treated during this pregnancy: Toxoplasmosis	NA	NA	

**Table 6.6.2-2: Form Data Elements Data Mapped to Output Content Document Modules for Fetal Death**

Form Data Element < V1 X.7>	Form Data Element Name	Section Level Map (if specific)	Entry Level Map to Fetal Death CDA	Derivation Rule
ANTI	Abnormal conditions of the newborn: Antibiotics [received by the newborn for suspected neonatal sepsis]	NA	NA	NA

Form Data Element < V1 X.7>	Form Data Element Name	Section Level Map (if specific)	Entry Level Map to Fetal Death CDA	Derivation Rule
AVEN1	Abnormal conditions of the newborn: Assisted ventilation [required immediately following delivery]	NA	NA	NA
AVEN6	Abnormal conditions of the newborn: Assisted ventilation for 6 or more hours	NA	NA	NA
BINJ	Abnormal conditions of the newborn: Significant birth injury [ (skeletal fracture(s), peripheral nerve injury, and/or soft tissue/solid organ hemorrhage which requires intervention)]	NA	NA	NA

Form Data Element < V1 X.7>	Form Data Element Name	Section Level Map (if specific)	Entry Level Map to Fetal Death CDA	Derivation Rule
NICU	Abnormal conditions of the newborn: Admission to NICU	NA	NA	NA
SEIZ	Abnormal conditions of the newborn: Seizure or serious neurologic dysfunction	NA	NA	NA
SURF	Abnormal conditions of the newborn:[Newborn given] Surfactant replacement therapy	NA	NA	NA
NOA54	Abnormal conditions of the newborn: None of the above	NA	NA	NA
DNA54	Abnormal conditions of the newborn: Pending	NA	NA	NA
APGAR5	Apgar Score: 5 Minute	NA	NA	NA

Form Data Element < V1 X.7>	Form Data Element Name	Section Level Map (if specific)	Entry Level Map to Fetal Death CDA	Derivation Rule
APGAR10	Apgar Score: 10 Minute	NA	NA	NA
ATTENDN	Attendant's name	Reporting Fetal Death Information from a clinical setting to vital records [ClinicalDocument: templateId 2.16.840.1.113883.10.20.26.2] Labor and Delivery Section (templateId: 2.16.840.1.113883.10.20.26.8)	Labor and Delivery Process [Act: templateId 2.16.840.1.113883.10.20.26.31]	/performer/assignedEntity/assignedPerson/name = ATTENDN
ATTEND	Attendant's title:	Reporting Fetal Death Information from a clinical setting to vital records [ClinicalDocument: templateId 2.16.840.1.113883.10.20.26.2] Labor and Delivery Section (templateId: 2.16.840.1.113883.10.20.26.8)	Labor and Delivery Process [Act: templateId 2.16.840.1.113883.10.20.26.31]	/performer/assignedEntity/assignedPerson/code = ATTEND
ATTENDS	Attendant: Other specified	Reporting Fetal Death Information from a clinical setting to vital records [ClinicalDocument: templateId 2.16.840.1.113883.10.20.26.2] Labor and Delivery Section (templateId: 2.16.840.1.113883.10.20.26.8)	Labor and Delivery Process [Act: templateId 2.16.840.1.113883.10.20.26.31]	/performer/assignedEntity/assignedPerson/name = ATTENDS

Form Data Element < V1 X.7>	Form Data Element Name	Section Level Map (if specific)	Entry Level Map to Fetal Death CDA	Derivation Rule
NPI	Attendant's NPI	Reporting Fetal Death Information from a clinical setting to vital records [ClinicalDocument: templateId 2.16.840.1.113883.10.20.26.2] Labor and Delivery Section (templateId: 2.16.840.1.113883.10.20.26.8)	Labor and Delivery Process [Act: templateId 2.16.840.1.113883.10.20.26.31]	/performer/assignedEntity/id = NPI
BWG	Birth weight (Infant's)	NA	NA	NA
BWO	Birth weight (Infant's)	NA	NA	NA
BWP	Birth weight (Infant's)	NA	NA	NA
ANTB	Characteristics of labor and delivery: Antibiotics[received by the mother during labor]	NA	NA	NA

Form Data Element < V1 X.7>	Form Data Element Name	Section Level Map (if specific)	Entry Level Map to Fetal Death CDA	Derivation Rule
AUGL	Characteristics of labor and delivery: Augmentation of labor	NA	NA	NA
CHOR	Characteristics of labor and delivery: [Clinical] Chorioamnionitis [diagnosed during labor or maternal temperature >=38 degrees (100.4F)]	NA	NA	NA
ESAN	Characteristics of labor and delivery: [Epidural or spinal]Anesthesia [during labor]	NA	NA	NA
INDL	Characteristics of labor and delivery: Induction of labor	NA	NA	NA



Form Data Element < V1 X.7>	Form Data Element Name	Section Level Map (if specific)	Entry Level Map to Fetal Death CDA	Derivation Rule
STER	Characteristics of labor and delivery: Steroids [(glucocorticoids) for fetal lung maturation received by the mother prior to delivery]	NA	NA	NA
NOA04	Characteristics of labor and delivery: None of the above	NA	NA	NA
DNA04	Characteristics of labor and delivery: Pending	NA	NA	NA
IDOB_YR	Child: Date of Birth: Year	NA	NA	NA
IDOB_MO	Child: Date of Birth: Month	NA	NA	NA
IDOB_DY	Child: Date of Birth: Day	NA	NA	NA

Form Data Element < V1 X.7>	Form Data Element Name	Section Level Map (if specific)	Entry Level Map to Fetal Death CDA	Derivation Rule
KIDFNAME	Child's First Name/ Name of Fetus(optional at the discretion of the parents)	Reporting Fetal Death Information from a clinical setting to vital records [ClinicalDocument: templateId 2.16.840.1.113883.10.20.26.2] Fetal Delivery Section [Section: templateId 2.16.840.1.113883.10.20.26.4]		/subject/relatedSubject/subject/name/given[1] contains KIDFNAME
KIDMNAME	Child's Middle Name / Name of Fetus(optional at the discretion of the parents)	Reporting Fetal Death Information from a clinical setting to vital records [ClinicalDocument: templateId 2.16.840.1.113883.10.20.26.2] Fetal Delivery Section [Section: templateId 2.16.840.1.113883.10.20.26.4]		/subject/relatedSubject/subject/name/given[2] contains KIDMNAME
KIDLNAME	Child's Last Name / Name of Fetus(optional at the discretion of the parents)	Reporting Fetal Death Information from a clinical setting to vital records [ClinicalDocument: templateId 2.16.840.1.113883.10.20.26.2] Fetal Delivery Section [Section: templateId 2.16.840.1.113883.10.20.26.4]		/subject/relatedSubject/subject/name/family contains KIDLNAME
KIDSUFFIX	Child's Last Name Suffix:	Reporting Fetal Death Information from a clinical setting to vital records [ClinicalDocument: templateId 2.16.840.1.113883.10.20.26.2] Fetal Delivery Section [Section: templateId 2.16.840.1.113883.10.20.26.4]		/subject/relatedSubject/subject/name contains KIDSUFFIX

Form Data Element < V1 X.7>	Form Data Element Name	Section Level Map (if specific)	Entry Level Map to Fetal Death CDA	Derivation Rule
BFED	Child: Infant being breastfed?	NA	NA	NA
ILIV	Child: Infant living at time of report?	NA	NA	NA
IRECNUM	Child: Newborn Medical Record Number	NA	NA	NA
ISEX	Child: (infant) Sex -	NA	NA	NA
ITRAN	Child: Infant transferred within 24 hours of delivery/name the facility FTRAN	NA	NA	NA
FTRAN	Child: Infant transferred within 24 hours of delivery/name the facility	NA	NA	NA
TB	Child: Time of Birth	NA	NA	NA

Form Data Element < V1 X.7>	Form Data Element Name	Section Level Map (if specific)	Entry Level Map to Fetal Death CDA	Derivation Rule
ANEN	Congenital anomalies of the Newborn: Anencephaly	Reporting Fetal Death Information from a clinical setting to vital records [ClinicalDocument: templateId 2.16.840.1.113883.10.20.26.2] Fetal Delivery Section [Section: templateId 2.16.840.1.113883.10.20.26.4]	Congenital Anomaly [Observation: templateId 2.16.840.1.113883.10.20.26.19]	IF ANEN = 'Y' then /code@code= Code= '73780-9', CodeSystemName= 'LOINC', DisplayName='Congenital anomalies of the newborn' AND /value@code= Code=' 89369001', CodeSystemName= 'SNOMED CT', DisplayName= 'Anencephalus'
CCHD	Congenital anomalies of the Newborn: Cyanotic congenital heart disease	Reporting Fetal Death Information from a clinical setting to vital records [ClinicalDocument: templateId 2.16.840.1.113883.10.20.26.2] Fetal Delivery Section [Section: templateId 2.16.840.1.113883.10.20.26.4]	Congenital Anomaly [Observation: templateId 2.16.840.1.113883.10.20.26.19]	IF CCHD = 'Y' then /code@code= Code= '73780-9', CodeSystemName= 'LOINC', DisplayName='Congenital anomalies of the newborn' AND /value@code= Code=' 12770006', CodeSystemName= 'SNOMED CT', DisplayName= 'Cyanotic congenital heart disease'
CDH	Congenital anomalies of the Newborn:- Congenital diaphragmatic hernia	Reporting Fetal Death Information from a clinical setting to vital records [ClinicalDocument: templateId 2.16.840.1.113883.10.20.26.2] Fetal Delivery Section [Section: templateId 2.16.840.1.113883.10.20.26.4]	Congenital Anomaly [Observation: templateId 2.16.840.1.113883.10.20.26.19]	IF CDH = 'Y' then /code@code= Code= '73780-9', CodeSystemName= 'LOINC', DisplayName='Congenital anomalies of the newborn' AND /value@code= Code=' 17190001', CodeSystemName= 'SNOMED CT', DisplayName= 'Congenital diaphragmatic hernia'

Form Data Element < V1 X.7>	Form Data Element Name	Section Level Map (if specific)	Entry Level Map to Fetal Death CDA	Derivation Rule
CDIC	Congenital anomalies of the Newborn: Suspected chromosomal disorder karyotype confirmed	Reporting Fetal Death Information from a clinical setting to vital records [ClinicalDocument: templateId 2.16.840.1.113883.10.20.26.2] Fetal Delivery Section [Section: templateId 2.16.840.1.113883.10.20.26.4]	Congenital Anomaly [Observation: templateId 2.16.840.1.113883.10.20.26.19]	IF CDIC = 'Y' then /code@code= Code= '73780-9', CodeSystemName= 'LOINC', DisplayName='Congenital anomalies of the newborn' AND /value@code= Code='409709004', CodeSystemName= 'SNOMED CT', DisplayName= 'Chromosomal Disorder' AND /entryRelationship/code@code Code='73778-3', CodeSystemName= 'LOINC', DisplayName=' Suspected chromosomal disorder karyotype status' /entryRelationship/value@code Code='442124003', CodeSystemName= 'SNOMED CT', DisplayName= 'Karyotype evaluation abnormal'
CDIS	Congenital anomalies of the Newborn: Suspected chromosomal Disorder	Reporting Fetal Death Information from a clinical setting to vital records [ClinicalDocument: templateId 2.16.840.1.113883.10.20.26.2] Fetal Delivery Section [Section: templateId 2.16.840.1.113883.10.20.26.4]	Congenital Anomaly [Observation: templateId 2.16.840.1.113883.10.20.26.19]	IF CDIS = 'Y' then /code@code= Code= '73780-9', CodeSystemName= 'LOINC', DisplayName='Congenital anomalies of the newborn' AND /value@code= Code='409709004', CodeSystemName= 'SNOMED CT', DisplayName= 'Chromosomal Disorder'

Form Data Element < V1 X.7>	Form Data Element Name	Section Level Map (if specific)	Entry Level Map to Fetal Death CDA	Derivation Rule
'CDIP	Congenital anomalies of the Newborn: Suspected chromosomal disorder karyotype pending	Reporting Fetal Death Information from a clinical setting to vital records [ClinicalDocument: templateId 2.16.840.1.113883.10.20.26.2] Fetal Delivery Section [Section: templateId 2.16.840.1.113883.10.20.26.4]	Congenital Anomaly [Observation: templateId 2.16.840.1.113883.10.20.26.19]	IF CDIP = 'Y' then /code@code= Code= '73780-9', CodeSystemName= 'LOINC', DisplayName='Congenital anomalies of the newborn' AND /value@code= Code='409709004', CodeSystemName= 'SNOMED CT', DisplayName= 'Chromosomal Disorder' AND /entryRelationship/code@code Code='73778-3', CodeSystemName= 'LOINC', DisplayName=' Suspected chromosomal disorder karyotype status' /entryRelationship/value@code Code='312948004', CodeSystemName= 'SNOMED CT', DisplayName= 'Karyotype determination'
CL	Congenital anomalies of the Newborn: Cleft Lip with or without Cleft Palate	Reporting Fetal Death Information from a clinical setting to vital records [ClinicalDocument: templateId 2.16.840.1.113883.10.20.26.2] Fetal Delivery Section [Section: templateId 2.16.840.1.113883.10.20.26.4]	Congenital Anomaly [Observation: templateId 2.16.840.1.113883.10.20.26.19]	IF CL = 'Y' then /code@code= Code= '73780-9', CodeSystemName= 'LOINC', DisplayName='Congenital anomalies of the newborn' AND /value@code= Code= '80281008', CodeSystemName= 'SNOMED CT', DisplayName= 'Cleft lip'

Form Data Element < V1 X.7>	Form Data Element Name	Section Level Map (if specific)	Entry Level Map to Fetal Death CDA	Derivation Rule
CP	Congenital anomalies of the Newborn: Cleft Palate alone	Reporting Fetal Death Information from a clinical setting to vital records [ClinicalDocument: templateId 2.16.840.1.113883.10.20.26.2] Fetal Delivery Section [Section: templateId 2.16.840.1.113883.10.20.26.4]	Congenital Anomaly [Observation: templateId 2.16.840.1.113883.10.20.26.19]	IF CP = 'Y' then /code@code= Code= '73780-9', CodeSystemName= 'LOINC', DisplayName='Congenital anomalies of the newborn' AND /value@code= Code= '87979003', CodeSystemName= 'SNOMED CT', DisplayName= 'Cleft palate'
DOWC	Congenital anomalies of the Newborn: Down Karyotype Confirmed	Reporting Fetal Death Information from a clinical setting to vital records [ClinicalDocument: templateId 2.16.840.1.113883.10.20.26.2] Fetal Delivery Section [Section: templateId 2.16.840.1.113883.10.20.26.4]	Congenital Anomaly [Observation: templateId 2.16.840.1.113883.10.20.26.19]	IF DOWC = 'Y' then /code@code= Code= '73780-9', CodeSystemName= 'LOINC', DisplayName='Congenital anomalies of the newborn' AND /value@code= Code= '70156005', CodeSystemName= 'SNOMED CT', DisplayName= 'Anomaly of chromosome pair 21' AND /entryRelationship/code@code Code='73778-3', CodeSystemName= 'LOINC', DisplayName=' Suspected chromosomal disorder karyotype status' /entryRelationship/value@code Code='442124003', CodeSystemName= 'SNOMED CT', DisplayName= 'Karyotype evaluation abnormal'

Form Data Element < V1 X.7>	Form Data Element Name	Section Level Map (if specific)	Entry Level Map to Fetal Death CDA	Derivation Rule
DOWN	Congenital anomalies of the Newborn: Down Syndrome	Reporting Fetal Death Information from a clinical setting to vital records [ClinicalDocument: templateId 2.16.840.1.113883.10.20.26.2] Fetal Delivery Section [Section: templateId 2.16.840.1.113883.10.20.26.4]	Congenital Anomaly [Observation: templateId 2.16.840.1.113883.10.20.26.19]	IF DOWN = 'Y' then /code@code= Code= '73780-9', CodeSystemName= 'LOINC', DisplayName='Congenital anomalies of the newborn' AND /value@code= Code= '70156005', CodeSystemName= 'SNOMED CT', DisplayName= 'Anomaly of chromosome pair 21'
DOWP	Congenital anomalies of the Newborn: Down Karyotype Pending	Reporting Fetal Death Information from a clinical setting to vital records [ClinicalDocument: templateId 2.16.840.1.113883.10.20.26.2] Fetal Delivery Section [Section: templateId 2.16.840.1.113883.10.20.26.4]	Congenital Anomaly [Observation: templateId 2.16.840.1.113883.10.20.26.19]	IF DOWP = 'Y' then /code@code= Code= '73780-9', CodeSystemName= 'LOINC', DisplayName='Congenital anomalies of the newborn' AND /value@code= Code= '70156005', CodeSystemName= 'SNOMED CT', DisplayName= 'Anomaly of chromosome pair 21' AND /entryRelationship/code@code Code='73778-3', CodeSystemName= 'LOINC', DisplayName=' Suspected chromosomal disorder karyotype status' /entryRelationship/value@code Code='312948004', CodeSystemName= 'SNOMED CT', DisplayName= 'Karyotype determination'



Form Data Element < V1 X.7>	Form Data Element Name	Section Level Map (if specific)	Entry Level Map to Fetal Death CDA	Derivation Rule
GAST	Congenital anomalies of the Newborn: Gastroschisis	Reporting Fetal Death Information from a clinical setting to vital records [ClinicalDocument: templateId 2.16.840.1.113883.10.20.26.2] Fetal Delivery Section [Section: templateId 2.16.840.1.113883.10.20.26.4]	Congenital Anomaly [Observation: templateId 2.16.840.1.113883.10.20.26.19]	IF GAST = 'Y' then /code@code= Code= '73780-9', CodeSystemName= 'LOINC', DisplayName='Congenital anomalies of the newborn' AND /value@code= Code= '72951007', CodeSystemName= 'SNOMED CT', DisplayName= 'Gastroschisis'
HYPO	Congenital anomalies of the Newborn: Hypospadias	Reporting Fetal Death Information from a clinical setting to vital records [ClinicalDocument: templateId 2.16.840.1.113883.10.20.26.2] Fetal Delivery Section [Section: templateId 2.16.840.1.113883.10.20.26.4]	Congenital Anomaly [Observation: templateId 2.16.840.1.113883.10.20.26.19]	IF HYPO = 'Y' then /code@code= Code= '73780-9', CodeSystemName= 'LOINC', DisplayName='Congenital anomalies of the newborn' AND /value@code= Code= '416010008', CodeSystemName= 'SNOMED CT', DisplayName= 'Hypospadias'
LIMB	Congenital anomalies of the Newborn: Limb reduction defect	Reporting Fetal Death Information from a clinical setting to vital records [ClinicalDocument: templateId 2.16.840.1.113883.10.20.26.2] Fetal Delivery Section [Section: templateId 2.16.840.1.113883.10.20.26.4]	Congenital Anomaly [Observation: templateId 2.16.840.1.113883.10.20.26.19]	IF LIMB = 'Y' then /code@code= Code= '73780-9', CodeSystemName= 'LOINC', DisplayName='Congenital anomalies of the newborn' AND /value@code= Code= '67341007', CodeSystemName= 'SNOMED CT', DisplayName= 'Longitudinal deficiency of limb'

Form Data Element < V1 X.7>	Form Data Element Name	Section Level Map (if specific)	Entry Level Map to Fetal Death CDA	Derivation Rule
MNSB	Congenital anomalies of the Newborn: Meningomyelocele/ Spina Bifida	Reporting Fetal Death Information from a clinical setting to vital records [ClinicalDocument: templateId 2.16.840.1.113883.10.20.26.2] Fetal Delivery Section [Section: templateId 2.16.840.1.113883.10.20.26.4]	Congenital Anomaly [Observation: templateId 2.16.840.1.113883.10.20.26.19]	IF MNSB = 'Y' then /code@code= Code= '73780-9', CodeSystemName= 'LOINC', DisplayName='Congenital anomalies of the newborn' AND /value@code= Code= '67341007', CodeSystemName= 'SNOMED CT', DisplayName= 'Longitudinal deficiency of limb'
OMPH	Congenital anomalies of the Newborn: Omphalocele	Reporting Fetal Death Information from a clinical setting to vital records [ClinicalDocument: templateId 2.16.840.1.113883.10.20.26.2] Fetal Delivery Section [Section: templateId 2.16.840.1.113883.10.20.26.4]	Congenital Anomaly [Observation: templateId 2.16.840.1.113883.10.20.26.19]	IF OMPH = 'Y' then /code@code= Code= '73780-9', CodeSystemName= 'LOINC', DisplayName='Congenital anomalies of the newborn' AND /value@code= Code= '18735004', CodeSystemName= 'SNOMED CT', DisplayName= 'Congenital omphalocele'
NOA55	Congenital anomalies of the Newborn: None of the anomalies listed above	Reporting Fetal Death Information from a clinical setting to vital records [ClinicalDocument: templateId 2.16.840.1.113883.10.20.26.2] Fetal Delivery Section [Section: templateId 2.16.840.1.113883.10.20.26.4]	Congenital Anomaly [Observation: templateId 2.16.840.1.113883.10.20.26.19]	IF NOA55= 'Y' then /code@code= Code= '73780-9', CodeSystemName= 'LOINC', DisplayName='Congenital anomalies of the newborn' AND /value@code= Code= '260413007', CodeSystemName= 'SNOMED CT', DisplayName= 'None'
DNA55	Congenital anomalies of the Newborn: Pending			NULL

Form Data Element < V1 X.7>	Form Data Element Name	Section Level Map (if specific)	Entry Level Map to Fetal Death CDA	Derivation Rule
YLLB	Date of last live birth:	Reporting Fetal Death Information from a clinical setting to vital records [ClinicalDocument: templateId 2.16.840.1.113883.10.20.26.2] Prior Pregnancy History Section (templateId: 2.16.840.1.113883.10.20.26.12)	Date of Last Live Birth (templateId: 2.16.840.1.113883.10.20.26.20)	/code@code= Code='68499-3', CodeSystemName= 'LOINC', DisplayName='Date last live birth' AND /value@value= YLLB
MLLB	Date of last live birth:	Reporting Fetal Death Information from a clinical setting to vital records [ClinicalDocument: templateId 2.16.840.1.113883.10.20.26.2] Prior Pregnancy History Section (templateId: 2.16.840.1.113883.10.20.26.12)	Date of Last Live Birth (templateId: 2.16.840.1.113883.10.20.26.20)	/code@code= Code='68499-3', CodeSystemName= 'LOINC', DisplayName='Date last live birth' AND /value@value= MLLB
DLMP_D Y	Date last Normal Menses began:	Reporting Fetal Death Information from a clinical setting to vital records [ClinicalDocument: templateId 2.16.840.1.113883.10.20.26.2] Prior Pregnancy History Section (templateId: 2.16.840.1.113883.10.20.26.12)	Last Menstrual Period Date (templateId: 2.16.840.1.113883.10.20.26.33)	/code@code= Code='8665-2', CodeSystemName= 'LOINC', DisplayName='Date last menstrual period' AND /value@value contains DLMP_DY
DLMP_M O	Date last Normal Menses began:	Reporting Fetal Death Information from a clinical setting to vital records [ClinicalDocument: templateId 2.16.840.1.113883.10.20.26.2] Prior Pregnancy History Section (templateId: 2.16.840.1.113883.10.20.26.12)	Last Menstrual Period Date (templateId: 2.16.840.1.113883.10.20.26.33)	/code@code= Code='8665-2', CodeSystemName= 'LOINC', DisplayName='Date last menstrual period' AND /value@value contains DLMP_MO

Form Data Element < V1 X.7>	Form Data Element Name	Section Level Map (if specific)	Entry Level Map to Fetal Death CDA	Derivation Rule
DLMP_YR	Date last Normal Menses began:	Reporting Fetal Death Information from a clinical setting to vital records [ClinicalDocument: templateId 2.16.840.1.113883.10.20.26.2] Prior Pregnancy History Section (templateId: 2.16.840.1.113883.10.20.26.12)	Last Menstrual Period Date (templateId: 2.16.840.1.113883.10.20.26.33)	/code@code= Code=' 8665-2', CodeSystemName= 'LOINC', DisplayName=' Date last menstrual period' AND /value@value contains DLMP_YR
YOPO	Date of Last Other Pregnancy Outcome: Year	Reporting Fetal Death Information from a clinical setting to vital records [ClinicalDocument: templateId 2.16.840.1.113883.10.20.26.2] Prior Pregnancy History Section (templateId: 2.16.840.1.113883.10.20.26.12)	Other Pregnancy Outcome (templateId: 2.16.840.1.113883.10.20.26.40)	/code@code= Code='69043-8', CodeSystemName= 'LOINC', DisplayName='Other pregnancy outcomes' AND /effectiveTime contains YOPO
MOPO	Date of Last Other Pregnancy Outcome: Month	Reporting Fetal Death Information from a clinical setting to vital records [ClinicalDocument: templateId 2.16.840.1.113883.10.20.26.2] Prior Pregnancy History Section (templateId: 2.16.840.1.113883.10.20.26.12)	Other Pregnancy Outcome (templateId: 2.16.840.1.113883.10.20.26.40)	/code@code= Code='69043-8', CodeSystemName= 'LOINC', DisplayName='Other pregnancy outcomes' AND /effectiveTime contains MOPO
ADDRESS_D	Facility Address	Reporting Fetal Death Information from a clinical setting to vital records [ClinicalDocument: templateId 2.16.840.1.113883.10.20.26.2] Labor and Delivery Section [Section: templateId 2.16.840.1.113883.10.20.26.8]	Labor and Delivery Process [Act: templateId 2.16.840.1.113883.10.20.26.31]	/participant/participantRole/addr = ADDRESS_D

Form Data Element < V1 X.7>	Form Data Element Name	Section Level Map (if specific)	Entry Level Map to Fetal Death CDA	Derivation Rule
FNAME	Facility Name (if Not institution, give street and number)	Reporting Fetal Death Information from a clinical setting to vital records [ClinicalDocument: templateId 2.16.840.1.113883.10.20.26.2] Labor and Delivery Section [Section: templateId 2.16.840.1.113883.10.20.26.8]	Labor and Delivery Process [Act: templateId 2.16.840.1.113883.10.20.26.31]	/participant/participantRole/playingEntity/name = FNAME
FNPI	Facility National Provider Identifier	Reporting Fetal Death Information from a clinical setting to vital records [ClinicalDocument: templateId 2.16.840.1.113883.10.20.26.2] Labor and Delivery Section [Section: templateId 2.16.840.1.113883.10.20.26.8]	Labor and Delivery Process [Act: templateId 2.16.840.1.113883.10.20.26.31]	/participant/participantRole/id = FNPI
CHAM	Infections present and treated during this pregnancy: Chlamydia	Reporting Fetal Death Information from a clinical setting to vital records [ClinicalDocument: templateId 2.16.840.1.113883.10.20.26.2] History of Infection - Fetal Death Section (templateId: 2.16.840.1.113883.10.20.26.48)	Infection Present (templateId: 2.16.840.1.113883.10.20.26.30)	IF CHAM = 'Y' then /code@code= Code= '72519-2', CodeSystemName= 'LOINC', DisplayName= 'Infections present and or treated during this pregnancy for live birth' AND /value@code= Code= '105629000', CodeSystemName= 'SNOMED CT', DisplayName= 'Chlamydia infection'
GON	Infections present and treated during this pregnancy: Gonorrhea	Reporting Fetal Death Information from a clinical setting to vital records [ClinicalDocument: templateId 2.16.840.1.113883.10.20.26.2] History of Infection - Fetal Death Section (templateId: 2.16.840.1.113883.10.20.26.48)	Infection Present (templateId: 2.16.840.1.113883.10.20.26.30)	IF GON = 'Y' then /code@code= Code= '72519-2', CodeSystemName= 'LOINC', DisplayName= 'Infections present and or treated during this pregnancy for live birth' AND /value@code= Code= '1562800', CodeSystemName= 'SNOMED CT', DisplayName= 'Gonorrhea'

Form Data Element < V1 X.7>	Form Data Element Name	Section Level Map (if specific)	Entry Level Map to Fetal Death CDA	Derivation Rule
HEPB	Infections present and treated during this pregnancy: Hepatitis B	Reporting Fetal Death Information from a clinical setting to vital records [ClinicalDocument: templateId 2.16.840.1.113883.10.20.26.2] History of Infection - Fetal Death Section (templateId: 2.16.840.1.113883.10.20.26.48)	Infection Present (templateId: 2.16.840.1.113883.10.20.26.30)	IF HEPB = 'Y' then /code@code= Code= '72519-2', CodeSystemName= 'LOINC', DisplayName= 'Infections present and or treated during this pregnancy for live birth' AND /value@code= Code= '66071002', CodeSystemName= 'SNOMED CT', DisplayName= 'Type B viral hepatitis'
HEPC	Infections present and treated during this pregnancy: Hepatitis C	Reporting Fetal Death Information from a clinical setting to vital records [ClinicalDocument: templateId 2.16.840.1.113883.10.20.26.2] History of Infection - Fetal Death Section (templateId: 2.16.840.1.113883.10.20.26.48)	Infection Present (templateId: 2.16.840.1.113883.10.20.26.30)	IF HEPC = 'Y' then /code@code= Code= '72519-2', CodeSystemName= 'LOINC', DisplayName= 'Infections present and or treated during this pregnancy for live birth' AND /value@code= Code= '50711007', CodeSystemName= 'SNOMED CT', DisplayName= 'Viral hepatitis C'
SYPH	Infections present and treated during this pregnancy: Syphilis	Reporting Fetal Death Information from a clinical setting to vital records [ClinicalDocument: templateId 2.16.840.1.113883.10.20.26.2] History of Infection - Fetal Death Section (templateId: 2.16.840.1.113883.10.20.26.48)	Infection Present (templateId: 2.16.840.1.113883.10.20.26.30)	IF SYPH = 'Y' then /code@code= Code= '72519-2', CodeSystemName= 'LOINC', DisplayName= 'Infections present and or treated during this pregnancy for live birth' AND /value@code= Code= '76272004', CodeSystemName= 'SNOMED CT', DisplayName= 'Syphilis'

Form Data Element < V1 X.7>	Form Data Element Name	Section Level Map (if specific)	Entry Level Map to Fetal Death CDA	Derivation Rule
NOA02	Infections present and treated during this pregnancy: None of the above	Reporting Fetal Death Information from a clinical setting to vital records [ClinicalDocument: templateId 2.16.840.1.113883.10.20.26.2] History of Infection - Fetal Death Section (templateId: 2.16.840.1.113883.10.20.26.48)	Infection Present (templateId: 2.16.840.1.113883.10.20.26.30)	IF NOA02 = 'Y' then /code@code= Code= '72519-2', CodeSystemName= 'LOINC', DisplayName= 'Infections present and or treated during this pregnancy for live birth' AND /value@code= Code= '260413007', CodeSystemName= 'SNOMED CT', DisplayName= 'None'
AINT	Maternal Morbidity: - Admission to Intensive care [unit]	Reporting Fetal Death Information from a clinical setting to vital records [ClinicalDocument: templateId 2.16.840.1.113883.10.20.26.2] Labor and Delivery Section [Section: templateId 2.16.840.1.113883.10.20.26.8]	Labor and Delivery Process [Act: templateId 2.16.840.1.113883.10.20.26.31] Maternal Morbidity (templateId: 2.16.840.1.113883.10.20.26.34)	IF AINT = 'Y' then /code@code= Code= '73781-7', CodeSystemName= 'LOINC', DisplayName= 'Maternal morbidity' AND /value@code= Code= '309904001', CodeSystemName= 'SNOMED CT', DisplayName= 'Intensive care unit'
MTR	Maternal Morbidity: Maternal Transfusion	Reporting Fetal Death Information from a clinical setting to vital records [ClinicalDocument: templateId 2.16.840.1.113883.10.20.26.2] Labor and Delivery Section [Section: templateId 2.16.840.1.113883.10.20.26.8]	Labor and Delivery Process [Act: templateId 2.16.840.1.113883.10.20.26.31] Maternal Morbidity (templateId: 2.16.840.1.113883.10.20.26.34)	IF MTR = 'Y' then /code@code= Code= '73781-7', CodeSystemName= 'LOINC', DisplayName= 'Maternal morbidity' AND /value@code= Code= '116859006', CodeSystemName= 'SNOMED CT', DisplayName= 'Maternal Transfusion'

Form Data Element < V1 X.7>	Form Data Element Name	Section Level Map (if specific)	Entry Level Map to Fetal Death CDA	Derivation Rule
PLAC	Maternal Morbidity: [Third or fourth degree] perineal laceration	Reporting Fetal Death Information from a clinical setting to vital records [ClinicalDocument: templateId 2.16.840.1.113883.10.20.26.2] Labor and Delivery Section [Section: templateId 2.16.840.1.113883.10.20.26.8]	Labor and Delivery Process [Act: templateId 2.16.840.1.113883.10.20.26.31] Maternal Morbidity (templateId: 2.16.840.1.113883.10.20.26.34)	IF PLAC = 'Y' then /code@code= Code= '73781-7', CodeSystemName= 'LOINC', DisplayName= 'Maternal morbidity' AND /value@code= Code= '398019008', CodeSystemName= 'SNOMED CT', DisplayName= 'Perineal laceration during delivery'
RUT	Maternal Morbidity: Ruptured Uterus	Reporting Fetal Death Information from a clinical setting to vital records [ClinicalDocument: templateId 2.16.840.1.113883.10.20.26.2] Labor and Delivery Section [Section: templateId 2.16.840.1.113883.10.20.26.8]	Labor and Delivery Process [Act: templateId 2.16.840.1.113883.10.20.26.31] Maternal Morbidity (templateId: 2.16.840.1.113883.10.20.26.34)	IF RUT = 'Y' then /code@code= Code= '73781-7', CodeSystemName= 'LOINC', DisplayName= 'Maternal morbidity' AND /value@code= Code= '34430009', CodeSystemName= 'SNOMED CT', DisplayName= 'Rupture of uterus'
UHYS	Maternal Morbidity: Unplanned hysterectomy	Reporting Fetal Death Information from a clinical setting to vital records [ClinicalDocument: templateId 2.16.840.1.113883.10.20.26.2] Labor and Delivery Section [Section: templateId 2.16.840.1.113883.10.20.26.8]	Labor and Delivery Process [Act: templateId 2.16.840.1.113883.10.20.26.31] Maternal Morbidity (templateId: 2.16.840.1.113883.10.20.26.34)	IF UHYS = 'Y' then /code@code= Code= '73781-7', CodeSystemName= 'LOINC', DisplayName= 'Maternal morbidity' AND /value@code= Code= '625654015', CodeSystemName= 'SNOMED CT', DisplayName= 'Emergency cesarean hysterectomy'



Form Data Element < V1 X.7>	Form Data Element Name	Section Level Map (if specific)	Entry Level Map to Fetal Death CDA	Derivation Rule
UOPR	Maternal Morbidity: Unplanned operat[ing]ion [room procedure following delivery]	Reporting Fetal Death Information from a clinical setting to vital records [ClinicalDocument: templateId 2.16.840.1.113883.10.20.26.2] Labor and Delivery Section [Section: templateId 2.16.840.1.113883.10.20.26.8]	Labor and Delivery Process [Act: templateId 2.16.840.1.113883.10.20.26.31] Maternal Morbidity (templateId: 2.16.840.1.113883.10.20.26.34)	IF UOPR = 'Y' then /code@code= Code= '73781-7', CodeSystemName= 'LOINC', DisplayName= 'Maternal morbidity' AND /value@code= Code= '177217006', CodeSystemName= 'SNOMED CT', DisplayName= 'Immediate repair of obstetric laceration'
NOA05	Maternal Morbidity:None of the above  NOTE: NOA05 is also used for onset of labor	Reporting Fetal Death Information from a clinical setting to vital records [ClinicalDocument: templateId 2.16.840.1.113883.10.20.26.2] Labor and Delivery Section [Section: templateId 2.16.840.1.113883.10.20.26.8]	Labor and Delivery Process [Act: templateId 2.16.840.1.113883.10.20.26.31] Maternal Morbidity (templateId: 2.16.840.1.113883.10.20.26.34)	IF NOA05 = 'Y' then /code@code= Code= '73781-7', CodeSystemName= 'LOINC', DisplayName= 'Maternal morbidity' AND /value@code= Code= '260413007', CodeSystemName= 'SNOMED CT', DisplayName= 'None'

Form Data Element < V1 X.7>	Form Data Element Name	Section Level Map (if specific)	Entry Level Map to Fetal Death CDA	Derivation Rule
PRES	Method of Delivery: Fetal presentation [at birth]: Cephalic	Reporting Fetal Death Information from a clinical setting to vital records [ClinicalDocument: templateId 2.16.840.1.113883.10.20.26.2] Labor and Delivery Section [Section: templateId 2.16.840.1.113883.10.20.26.8] Labor and Delivery Procedure Section [Section: templateId 2.16.840.1.113883.10.20.26.7]	Labor and Delivery Process [Act: templateId 2.16.840.1.113883.10.20.26.31] Method of Delivery [Procedure: templateId 2.16.840.1.113883.10.20.26.45]	<pre> IF PRES = '1' then entryRelationship/code@code= Code= '73761-9', CodeSystemName= 'LOINC', DisplayName= 'Fetal presentation at birth' AND entryRelationship/value@code= Code= '6096002', CodeSystemName= 'SNOMED CT', DisplayName= 'Breech presentation' ELSE IF PRES = '2' then entryRelationship/code@code= Code= '73761-9', CodeSystemName= 'LOINC', DisplayName= 'Fetal presentation at birth' AND entryRelationship/value@code= Code= '70028003', CodeSystemName= 'SNOMED CT', DisplayName= 'Vertex Presentation' ELSE IF PRES = '3' then entryRelationship/code@code= Code= '73761-9', CodeSystemName= 'LOINC', DisplayName= 'Fetal presentation at birth' AND entryRelationship/value@code= Code= '394841004', CodeSystemName= 'SNOMED CT', DisplayName= 'Other category' ELSE IF PRES = '9' then entryRelationship/code@code= Code= '73761-9', CodeSystemName= 'LOINC', DisplayName= 'Fetal presentation at birth' AND entryRelationship/value@code= Code= '261665006', CodeSystemName= 'SNOMED CT', DisplayName= 'Unknowncategory'                     </pre>

Form Data Element < V1 X.7>	Form Data Element Name	Section Level Map (if specific)	Entry Level Map to Fetal Death CDA	Derivation Rule
ROUT	Method of Delivery: [Final]Route and method of delivery	Reporting Fetal Death Information from a clinical setting to vital records [ClinicalDocument: templateId 2.16.840.1.113883.10.20.26.2] Labor and Delivery Section [Section: templateId 2.16.840.1.113883.10.20.26.8] Labor and Delivery Procedure Section [Section: templateId 2.16.840.1.113883.10.20.26.7]	Method of Delivery [Procedure: templateId 2.16.840.1.113883.10.20.26.45]	<p>IF ROUT = '1' then entryRelationship/code@code= Code= '73762-7', CodeSystemName= 'LOINC', DisplayName= 'Final route and method of delivery' AND entryRelationship/value@code= Code= '48782003', CodeSystemName= 'SNOMED CT', DisplayName= 'Delivery normal'</p> <p>ELSE IF ROUT = '4' then entryRelationship/code@code= Code= '73762-7', CodeSystemName= 'LOINC', DisplayName= 'Final route and method of delivery' AND entryRelationship/value@code= Code= '11466000', CodeSystemName= 'SNOMED CT', DisplayName= 'Cesarean section'</p> <p>ELSE IF ROUT = '9' then entryRelationship/code@code= Code= '73762-7', CodeSystemName= 'LOINC', DisplayName= 'Final route and method of delivery' AND entryRelationship/value@code= Code= '261665006', CodeSystemName= 'SNOMED CT', DisplayName= 'Unknown category'</p>

Form Data Element < V1 X.7>	Form Data Element Name	Section Level Map (if specific)	Entry Level Map to Fetal Death CDA	Derivation Rule
TLAB	Method of Delivery: Trial of labor attempted	Reporting Fetal Death Information from a clinical setting to vital records [ClinicalDocument: templateId 2.16.840.1.113883.10.20.26.2]  Labor and Delivery Section [Section: templateId 2.16.840.1.113883.10.20.26.8] Labor and Delivery Procedure Section [Section: templateId 2.16.840.1.113883.10.20.26.7]	Method of Delivery [Procedure: templateId 2.16.840.1.113883.10.20.26.45]	IF TLAB = 'Y' then /code@code= Code= '72149-8', CodeSystemName= 'LOINC', DisplayName= 'Delivery method' AND entryRelationship /code@code= Code= '73762-7', CodeSystemName= 'LOINC', DisplayName= 'Final route and method of delivery' AND /entryRelationship/value@code= Code= '11466000', CodeSystemName= 'SNOMED CT', DisplayName= 'Cesarean section' AND /entryRelationship/entryRelationship/code@code= Code= '73760-1', CodeSystemName= 'LOINC', DisplayName= 'If cesarean, a trial of labor was attempted' AND /entryRelationship /entryRelationship/value@code= Boolean form of TLAB
MFNAME	Mother's Current Legal Name: First Name	Reporting Fetal Death Information from a clinical setting to vital records [ClinicalDocument: templateId 2.16.840.1.113883.10.20.26.2]		/recordtarget/patientRole/patient/name/given [1] contains MFNAME
MMNAME	Mother's Current Legal Name: Middle Name	Reporting Fetal Death Information from a clinical setting to vital records [ClinicalDocument: templateId 2.16.840.1.113883.10.20.26.2]		/recordtarget/patientRole/patient/name/given [2] contains MMNAME

Form Data Element < V1 X.7>	Form Data Element Name	Section Level Map (if specific)	Entry Level Map to Fetal Death CDA	Derivation Rule
MLNAME	Mother's Current Legal Name: Last Name	Reporting Fetal Death Information from a clinical setting to vital records [ClinicalDocument: templateId 2.16.840.1.113883.10.20.26.2]		/recordtarget/patientRole/patient/name/family contains MLNAME
MSUFF	Mother's Current Legal Name: suffix	Reporting Fetal Death Information from a clinical setting to vital records [ClinicalDocument: templateId 2.16.840.1.113883.10.20.26.2]		/recordtarget/patientRole/patient/name contains MSUFF
HFT	Mother's Height: Feet	Reporting Fetal Death Information from a clinical setting to vital records [ClinicalDocument: templateId 2.16.840.1.113883.10.20.26.2] Labor and Delivery Section [Section: templateId 2.16.840.1.113883.10.20.26.8] Mother's Vital Signs Section [Section: templateId 2.16.840.1.113883.10.20.26.9]	Height (templateId: 2.16.840.1.113883.10.20.26.25)	/code@code= Code='3137-7', CodeSystemName= 'LOINC', DisplayName='Body height' AND /value@value= HFT(PQ) /value/@unit= 'ft'
HIN	Mother's Height: Inches	Reporting Fetal Death Information from a clinical setting to vital records [ClinicalDocument: templateId 2.16.840.1.113883.10.20.26.2] Labor and Delivery Section [Section: templateId 2.16.840.1.113883.10.20.26.8] Mother's Vital Signs Section [Section: templateId 2.16.840.1.113883.10.20.26.9]	Height (templateId: 2.16.840.1.113883.10.20.26.25)	/code@code= Code='3137-7', CodeSystemName= 'LOINC', DisplayName='Body height' AND /value@value= HIN(PQ) /value/@unit= 'in'

Form Data Element < V1 X.7>	Form Data Element Name	Section Level Map (if specific)	Entry Level Map to Fetal Death CDA	Derivation Rule
MRECNUM	Mother's medical record number	Reporting Fetal Death Information from a clinical setting to vital records [ClinicalDocument: templateId 2.16.840.1.113883.10.20.26.2]		recordTarget/patientRole/id = MRECNUM
PWGT	Mother's pre-pregnancy weight	Reporting Fetal Death Information from a clinical setting to vital records [ClinicalDocument: templateId 2.16.840.1.113883.10.20.26.2]	Pre-pregnancy Body Weight [Observation: templateId 2.16.840.1.113883.10.20.26.43]	/code@code= Code='56077-1', CodeSystemName= 'LOINC', DisplayName= 'Body weight -- pre current pregnancy' AND /value@value= PWGT(PQ) /value/@unit= 'lb'
NFACL	Mother: If Mother transferred for maternal medical or fetal indications for delivery, enter name of facility mother transferred from.	Reporting Fetal Death Information from a clinical setting to vital records [ClinicalDocument: templateId 2.16.840.1.113883.10.20.26.2] Labor and Delivery Section (templateId: 2.16.840.1.113883.10.20.26.8)	Labor and Delivery Process [Act: templateId 2.16.840.1.113883.10.20.26.31] Maternal Transfer templateId: 2.16.840.1.113883.10.20.26.35)	/participant/participantRole/scopingEntity/name = NFACL
TRAN	Mother transferred for maternal medical or fetal indications for delivery?	Reporting Fetal Death Information from a clinical setting to vital records [ClinicalDocument: templateId 2.16.840.1.113883.10.20.26.2] Labor and Delivery Section (templateId: 2.16.840.1.113883.10.20.26.8)	Labor and Delivery Process [Act: templateId 2.16.840.1.113883.10.20.26.31] Maternal Transfer templateId: 2.16.840.1.113883.10.20.26.35)	/code@code= Code='73763-5', CodeSystemName= 'LOINC', DisplayName=' Mother was transferred for maternal medical or fetal indications for delivery' AND /value@value= Boolean form of TRAN

Form Data Element < V1 X.7>	Form Data Element Name	Section Level Map (if specific)	Entry Level Map to Fetal Death CDA	Derivation Rule
DWGT	Mother's weight at delivery	Reporting Fetal Death Information from a clinical setting to vital records [ClinicalDocument: templateId 2.16.840.1.113883.10.20.26.2]  Labor and Delivery Section [Section: templateId 2.16.840.1.113883.10.20.26.8] Mother's Vital Signs Section [Section: templateId 2.16.840.1.113883.10.20.26.9]	Body Weight at Delivery (templateId: 2.16.840.1.113883.10.20.26.17)	/code@code= Code='69461-2', CodeSystemName= 'LOINC', DisplayName= 'Body weight mother -- at delivery' AND /value@value= DWGT(PQ) /value/@unit= 'lb'
POPO	Number of other pregnancy outcomes	Reporting Fetal Death Information from a clinical setting to vital records [ClinicalDocument: templateId 2.16.840.1.113883.10.20.26.2]  Prior Pregnancy History Section [Section: templateId 2.16.840.1.113883.10.20.26.12]	Other Pregnancy Outcome (templateId: 2.16.840.1.113883.10.20.26.40)	/code@code= Code='69043-8', CodeSystemName= 'LOINC', DisplayName= 'Other pregnancy outcomes' AND /value@value= POPO(int)
PLBD	Number of previous live births now dead (do not include this child)	Reporting Fetal Death Information from a clinical setting to vital records [ClinicalDocument: templateId 2.16.840.1.113883.10.20.26.2]  Prior Pregnancy History Section [Section: templateId 2.16.840.1.113883.10.20.26.12]	Number of Live Births now Dead (templateId: 2.16.840.1.113883.10.20.26.38)	/code@code= Code='68496-9', CodeSystemName= 'LOINC', DisplayName= 'Live births now dead' AND /value@value= PLBD(int)

Form Data Element < V1 X.7>	Form Data Element Name	Section Level Map (if specific)	Entry Level Map to Fetal Death CDA	Derivation Rule
PLBL	Number of previous live births now living (do not include this child)	Reporting Fetal Death Information from a clinical setting to vital records [ClinicalDocument: templateId 2.16.840.1.113883.10.20.26.2] Prior Pregnancy History Section [Section: templateId 2.16.840.1.113883.10.20.26.12]	Number of Births Now Living (templateId: 2.16.840.1.113883.10.20.26.36)	/code@code= Code='11638-4', CodeSystemName= 'LOINC', DisplayName= 'Births still living' AND /value@value= PLBL(int)
OWGEST	Obstetric Estimate of Gestation	Reporting Fetal Death Information from a clinical setting to vital records [ClinicalDocument: templateId 2.16.840.1.113883.10.20.26.2] Prior Pregnancy History Section [Section: templateId 2.16.840.1.113883.10.20.26.12]	Estimate of Gestation (templateId: 2.16.840.1.113883.10.20.26.21)	/code@code= Code='11884-4', CodeSystemName= 'LOINC', DisplayName= 'Gestational age Estimated' AND /value@value= OWGEST(int)
CERV	Obstetric procedures: Cervical cerclage	NA	NA	IF CERV = 'Y' then /code@code= Code= '265636007', CodeSystemName= 'SNOMED CT', DisplayName= 'Cerclage of cervix' /@negationInd = false
ECVF	Obstetric procedures: Failed External cephalic Version	NA	NA	PENDING
ECVS	Obstetric procedures: Successful External cephalic version	NA	NA	NA



Form Data Element < V1 X.7>	Form Data Element Name	Section Level Map (if specific)	Entry Level Map to Fetal Death CDA	Derivation Rule
TOC	Obstetric procedures: Tocolysis	NA	NA	NA
NOA03	Obstetric procedures: None of the above	NA	NA	NA
PROM	Onset of labor: Premature Rupture	NA	NA	NA
PRIC	Onset of labor: Precipitous Labor	NA	NA	NA
PROL	Onset of labor: Prolonged Labor	NA	NA	NA
NOA05	Onset of labor: None of the above NOTE: NOA05 is also used for Maternal Morbidity	NA	NA	NA
SFN	Place where birth occurred: State Facility Number	Reporting Fetal Death Information from a clinical setting to vital records [ClinicalDocument: templateId 2.16.840.1.113883.10.20.26.2] Labor and Delivery Section [templateId: 2.16.840.1.113883.10.20.26.8]	Labor and Delivery Process [Act: templateId 2.16.840.1.113883.10.20.26.31]	/participant/participantRole/id = SFN

Form Data Element < V1 X.7>	Form Data Element Name	Section Level Map (if specific)	Entry Level Map to Fetal Death CDA	Derivation Rule
FLOC	Place where birth occurred: Facility City/Town	Reporting Fetal Death Information from a clinical setting to vital records [ClinicalDocument: templateId 2.16.840.1.113883.10.20.26.2] Labor and Delivery Section [templateId: 2.16.840.1.113883.10.20.26.8]	Labor and Delivery Process [Act: templateId 2.16.840.1.113883.10.20.26.31]	/participant/participantRole/addr contains FLOC
CNAME	Place where birth occurred: County Name	Reporting Fetal Death Information from a clinical setting to vital records [ClinicalDocument: templateId 2.16.840.1.113883.10.20.26.2] Labor and Delivery Section [templateId: 2.16.840.1.113883.10.20.26.8]	Labor and Delivery Process [Act: templateId 2.16.840.1.113883.10.20.26.31]	/participant/participantRole/addr contains CNAME
CNTYO	Place where birth occurred: County Code	Reporting Fetal Death Information from a clinical setting to vital records [ClinicalDocument: templateId 2.16.840.1.113883.10.20.26.2] Labor and Delivery Section [templateId: 2.16.840.1.113883.10.20.26.8]	Labor and Delivery Process [Act: templateId 2.16.840.1.113883.10.20.26.31]	/participant/participantRole/addr contains CNTYO
BPLACE	Place where birth occurred: Birth Place	NA	NA	NA

Form Data Element < V1 X.7>	Form Data Element Name	Section Level Map (if specific)	Entry Level Map to Fetal Death CDA	Derivation Rule
PLUR	Plurality	Reporting Fetal Death Information from a clinical setting to vital records [ClinicalDocument: templateId 2.16.840.1.113883.10.20.26.2] Fetal Delivery Section [Section: templateId 2.16.840.1.113883.10.20.26.4]	Plurality [Observation: templateId 2.16.840.1.113883.10.20.26.41]	/code@code= Code='57722-1', CodeSystemName= 'LOINC', DisplayName= 'Birth plurality' AND /value@value= PLUR(int)
DOFP_M O	Prenatal care visits: Date of first prenatal care visit: Month	Reporting Fetal Death Information from a clinical setting to vital records [ClinicalDocument: templateId 2.16.840.1.113883.10.20.26.2] Antenatal Testing and Surveillance Section [Section: templateId 2.16.840.1.113883.10.20.26.3]	Pre-Natal Care [Act: templateId 2.16.840.1.113883.10.20.26.42]	/effectiveTime[low]
DOFP_D Y	Date of first prenatal care visit: Day	Reporting Fetal Death Information from a clinical setting to vital records [ClinicalDocument: templateId 2.16.840.1.113883.10.20.26.2] Antenatal Testing and Surveillance Section [Section: templateId 2.16.840.1.113883.10.20.26.3]	Pre-Natal Care [Act: templateId 2.16.840.1.113883.10.20.26.42]	/effectiveTime[low]

Form Data Element < V1 X.7>	Form Data Element Name	Section Level Map (if specific)	Entry Level Map to Fetal Death CDA	Derivation Rule
DOFP_YR	Date of first prenatal care visit: Year	Reporting Fetal Death Information from a clinical setting to vital records [ClinicalDocument: templateId 2.16.840.1.113883.10.20.26.2] Antenatal Testing and Surveillance Section [Section: templateId 2.16.840.1.113883.10.20.26.3]	Pre-Natal Care [Act: templateId 2.16.840.1.113883.10.20.26.42]	/effectiveTime[low]
NPREV	Prenatal care visits: Total number of prenatal visits for this pregnancy	Reporting Fetal Death Information from a clinical setting to vital records [ClinicalDocument: templateId 2.16.840.1.113883.10.20.26.2] Antenatal Testing and Surveillance Section [Section: templateId 2.16.840.1.113883.10.20.26.3]	Pre-Natal Care [Act: templateId 2.16.840.1.113883.10.20.26.42]	/entryRelationship/observation/code@code= Code='68493-6', CodeSystemName='LOINC', DisplayName='Prenatal visits for this pregnancy' AND /value@value= NPREV(int)
PAY	Principal source of payment for this delivery	NA	NA	NA
PDIAB	Risk factors in this pregnancy: Prepregnancy Diabetes	Reporting Fetal Death Information from a clinical setting to vital records [ClinicalDocument: templateId 2.16.840.1.113883.10.20.26.2] Labor and Delivery Section (templateId: 2.16.840.1.113883.10.20.26.8)	Labor and Delivery Process [Act: templateId 2.16.840.1.113883.10.20.26.31] Pregnancy Risk Factor (templateId: 2.16.840.1.113883.10.20.26.44)	IF PDIAB = 'Y' then /code@code= Code= '73775-9', CodeSystemName='LOINC', DisplayName='Risk factors in this pregnancy' AND /value@code= Code= '73211009', CodeSystemName='SNOMED CT', DisplayName='Diabetes mellitus'

Form Data Element < V1 X.7>	Form Data Element Name	Section Level Map (if specific)	Entry Level Map to Fetal Death CDA	Derivation Rule
GDIAB	Risk factors in this pregnancy: Gestational Diabetes	Reporting Fetal Death Information from a clinical setting to vital records [ClinicalDocument: templateId 2.16.840.1.113883.10.20.26.2] Labor and Delivery Section (templateId: 2.16.840.1.113883.10.20.26.8)	Labor and Delivery Process [Act: templateId 2.16.840.1.113883.10.20.26.31] Pregnancy Risk Factor (templateId: 2.16.840.1.113883.10.20.26.44)	IF GDIAB = 'Y' then /code@code= Code= '73775-9', CodeSystemName= 'LOINC', DisplayName= 'Risk factors in this pregnancy' AND /value@code= Code= '11687002', CodeSystemName= 'SNOMED CT', DisplayName= 'Gestational diabetes mellitus'
PHYPE	Risk factors in this pregnancy: Prepregnancy Hypertension	Reporting Fetal Death Information from a clinical setting to vital records [ClinicalDocument: templateId 2.16.840.1.113883.10.20.26.2] Labor and Delivery Section (templateId: 2.16.840.1.113883.10.20.26.8)	Labor and Delivery Process [Act: templateId 2.16.840.1.113883.10.20.26.31] Pregnancy Risk Factor (templateId: 2.16.840.1.113883.10.20.26.44)	IF PHYP = 'Y' then /code@code= Code= '73775-9', CodeSystemName= 'LOINC', DisplayName= 'Risk factors in this pregnancy' AND /value@code= Code= '38341003', CodeSystemName= 'SNOMED CT', DisplayName= 'Hypertensive disorder, systemic arterial'
GHYPE	Risk factors in this pregnancy: Gestational Hypertension	Reporting Fetal Death Information from a clinical setting to vital records [ClinicalDocument: templateId 2.16.840.1.113883.10.20.26.2] Labor and Delivery Section (templateId: 2.16.840.1.113883.10.20.26.8)	Labor and Delivery Process [Act: templateId 2.16.840.1.113883.10.20.26.31] Pregnancy Risk Factor (templateId: 2.16.840.1.113883.10.20.26.44)	IF GHYP = 'Y' then /code@code= Code= '73775-9', CodeSystemName= 'LOINC', DisplayName= 'Risk factors in this pregnancy' AND /value@code= Code= '48194001', CodeSystemName= 'SNOMED CT', DisplayName= 'Pregnancy-induced hypertension'

Form Data Element < V1 X.7>	Form Data Element Name	Section Level Map (if specific)	Entry Level Map to Fetal Death CDA	Derivation Rule
EHYPE	Risk factors in this pregnancy: Eclampsia	Reporting Fetal Death Information from a clinical setting to vital records [ClinicalDocument: templateId 2.16.840.1.113883.10.20.26.2] Labor and Delivery Section (templateId: 2.16.840.1.113883.10.20.26.8)	Labor and Delivery Process [Act: templateId 2.16.840.1.113883.10.20.26.31] Pregnancy Risk Factor (templateId: 2.16.840.1.113883.10.20.26.44)	IF EHYP = 'Y' then /code@code= Code= '73775-9', CodeSystemName= 'LOINC', DisplayName= 'Risk factors in this pregnancy' AND /value@code= Code= '15938005', CodeSystemName= 'SNOMED CT', DisplayName= 'Eclampsia'
PPB	Risk factors in this pregnancy: Previous preterm births	Reporting Fetal Death Information from a clinical setting to vital records [ClinicalDocument: templateId 2.16.840.1.113883.10.20.26.2] Labor and Delivery Section (templateId: 2.16.840.1.113883.10.20.26.8)	Labor and Delivery Process [Act: templateId 2.16.840.1.113883.10.20.26.31] Pregnancy Risk Factor (templateId: 2.16.840.1.113883.10.20.26.44)	IF PPB = 'Y' then /code@code= Code= '73775-9', CodeSystemName= 'LOINC', DisplayName= 'Risk factors in this pregnancy' AND /value@code= Code= '161765003', CodeSystemName= 'SNOMED CT', DisplayName= 'History of - premature delivery'
INFT	Risk factors in this pregnancy: Infertility treatment	Reporting Fetal Death Information from a clinical setting to vital records [ClinicalDocument: templateId 2.16.840.1.113883.10.20.26.2] Labor and Delivery Section (templateId: 2.16.840.1.113883.10.20.26.8)	Labor and Delivery Process [Act: templateId 2.16.840.1.113883.10.20.26.31] Pregnancy Risk Factor (templateId: 2.16.840.1.113883.10.20.26.44)	IF INFT = 'Y' then /code@code= Code= '73775-9', CodeSystemName= 'LOINC', DisplayName= 'Risk factors in this pregnancy' AND /value@code= Code= '65046005', CodeSystemName= 'SNOMED CT', DisplayName= 'Infertility Therapy'

Form Data Element < V1 X.7>	Form Data Element Name	Section Level Map (if specific)	Entry Level Map to Fetal Death CDA	Derivation Rule
INFT_DRG	Risk factors in this pregnancy: Infertility: Fertility Enhancing Drugs, AI	Reporting Fetal Death Information from a clinical setting to vital records [ClinicalDocument: templateId 2.16.840.1.113883.10.20.26.2] Labor and Delivery Section (templateId: 2.16.840.1.113883.10.20.26.8)	Labor and Delivery Process [Act: templateId 2.16.840.1.113883.10.20.26.31] Pregnancy Risk Factor (templateId: 2.16.840.1.113883.10.20.26.44)	IF INFT_DRG = 'Y' then /code@code= Code= '73775-9', CodeSystemName= 'LOINC', DisplayName= 'Risk factors in this pregnancy' AND /value@code= Code= '58533008', CodeSystemName= 'SNOMED CT', DisplayName= 'Artificial insemination'
INFT_ART	Risk factors in this pregnancy: Infertility: Asst. Rep. Technology	Reporting Fetal Death Information from a clinical setting to vital records [ClinicalDocument: templateId 2.16.840.1.113883.10.20.26.2] Labor and Delivery Section (templateId: 2.16.840.1.113883.10.20.26.8)	Labor and Delivery Process [Act: templateId 2.16.840.1.113883.10.20.26.31] Pregnancy Risk Factor (templateId: 2.16.840.1.113883.10.20.26.44)	IF PCES = 'Y' then /code@code= Code= '73775-9', CodeSystemName= 'LOINC', DisplayName= 'Risk factors in this pregnancy' AND /value@code= Code= '200144004', CodeSystemName= 'SNOMED CT', DisplayName= 'Deliveries by cesarean'
PCES	Risk factors in this pregnancy: Previous cesarean	Reporting Fetal Death Information from a clinical setting to vital records [ClinicalDocument: templateId 2.16.840.1.113883.10.20.26.2] Labor and Delivery Section (templateId: 2.16.840.1.113883.10.20.26.8)	Labor and Delivery Process [Act: templateId 2.16.840.1.113883.10.20.26.31] Pregnancy Risk Factor (templateId: 2.16.840.1.113883.10.20.26.44)	IF NPCES = 'Y' then /code@code= Code= '73775-9', CodeSystemName= 'LOINC', DisplayName= 'Risk factors in this pregnancy' AND /value@code= Code= '200144004', CodeSystemName= 'SNOMED CT', DisplayName= 'Deliveries by cesarean'

Form Data Element < V1 X.7>	Form Data Element Name	Section Level Map (if specific)	Entry Level Map to Fetal Death CDA	Derivation Rule
NPCES	Risk factors in this pregnancy: Number of previous cesareans	Reporting Fetal Death Information from a clinical setting to vital records [ClinicalDocument: templateId 2.16.840.1.113883.10.20.26.2] Labor and Delivery Section (templateId: 2.16.840.1.113883.10.20.26.8)	Labor and Delivery Process [Act: templateId 2.16.840.1.113883.10.20.26.31] Pregnancy Risk Factor (templateId: 2.16.840.1.113883.10.20.26.44)	IF PCES = 'Y' then /code@code= Code= '73775-9', CodeSystemName= 'LOINC', DisplayName= 'Risk factors in this pregnancy' AND /value@code= Code= '200144004', CodeSystemName= 'SNOMED CT', DisplayName= 'Deliveries by cesarean' /entryRelationship/observation/code@code= Code= '68497-7', CodeSystemName= 'LOINC', DisplayName= 'Previous cesarean deliveries' AND /value@value= NPCES(int)
NOA01	Risk factors in this pregnancy: None of the above	Reporting Fetal Death Information from a clinical setting to vital records [ClinicalDocument: templateId 2.16.840.1.113883.10.20.26.2] Labor and Delivery Section (templateId: 2.16.840.1.113883.10.20.26.8)	Labor and Delivery Process [Act: templateId 2.16.840.1.113883.10.20.26.31] Pregnancy Risk Factor (templateId: 2.16.840.1.113883.10.20.26.44)	IF NOA01 = 'Y' then /code@code= Code= '73775-9', CodeSystemName= 'LOINC', DisplayName= 'Risk factors in this pregnancy' AND /value@code= Code= '260413007', CodeSystemName= 'SNOMED CT', DisplayName= 'None'
SORD	Set Order	Reporting Fetal Death Information from a clinical setting to vital records [ClinicalDocument: templateId 2.16.840.1.113883.10.20.26.2] Fetal Delivery Section [Section: templateId 2.16.840.1.113883.10.20.26.4]	Birth Order (templateId: 2.16.840.1.113883.10.20.26.16)	/code@code= Code='73771-8', CodeSystemName= 'LOINC', DisplayName= 'Birth order' AND /value@value= SORD(int)



Form Data Element < V1 X.7>	Form Data Element Name	Section Level Map (if specific)	Entry Level Map to Fetal Death CDA	Derivation Rule
FSEX	Child: (infant) Sex -	NA	NA	NA
FDOD_YR		Reporting Fetal Death Information from a clinical setting to vital records [ClinicalDocument: templateId 2.16.840.1.113883.10.20.26.2] Fetal Delivery Section [Section: templateId 2.16.840.1.113883.10.20.26.4]	Fetal Delivery Time (templateId: 2.16.840.1.113883.10.20.26.23)	/code@code='11778-8' CodeSystemName='LOINC', DisplayName= 'Delivery date for patient selected by practitioner using all pertinent information' /value@value contains FDOD_YR
FDOD_MO		Reporting Fetal Death Information from a clinical setting to vital records [ClinicalDocument: templateId 2.16.840.1.113883.10.20.26.2] Fetal Delivery Section [Section: templateId 2.16.840.1.113883.10.20.26.4]	Fetal Delivery Time (templateId: 2.16.840.1.113883.10.20.26.23)	/code@code='11778-8' CodeSystemName='LOINC', DisplayName= 'Delivery date for patient selected by practitioner using all pertinent information' /value@value contains FDOD_MO
FDOD_DY		Reporting Fetal Death Information from a clinical setting to vital records [ClinicalDocument: templateId 2.16.840.1.113883.10.20.26.2] Fetal Delivery Section [Section: templateId 2.16.840.1.113883.10.20.26.4]	Fetal Delivery Time (templateId: 2.16.840.1.113883.10.20.26.23)	/code@code='11778-8', CodeSystemName='LOINC', DisplayName= 'Delivery date for patient selected by practitioner using all pertinent information' /value@value contains FDOD_DY

Form Data Element < V1 X.7>	Form Data Element Name	Section Level Map (if specific)	Entry Level Map to Fetal Death CDA	Derivation Rule
ETIME	Estimated Time of Fetal Death	Reporting Fetal Death Information from a clinical setting to vital records [ClinicalDocument: templateId 2.16.840.1.113883.10.20.26.2] Fetal Delivery Section [Section: templateId 2.16.840.1.113883.10.20.26.4]	Fetal Death Occurrence [Observation: templateId 2.16.840.1.113883.10.20.26.22]	code@code='73811-2', CodeSystemName='LOINC', DisplayName= 'Delivery date for patient selected by practitioner using all pertinent information' /value@value = ETIME
LIVEB	Not single birth - specify number of infants in this delivery born alive.	Reporting Fetal Death Information from a clinical setting to vital records [ClinicalDocument: templateId 2.16.840.1.113883.10.20.26.2] Newborn Delivery Section [Section: templateId 2.16.840.1.113883.10.20.26.10]	NA	
FDTH	Number of fetal deaths	Reporting Fetal Death Information from a clinical setting to vital records [ClinicalDocument: templateId 2.16.840.1.113883.10.20.26.2]	PENDING	PENDING
HYST	Method of Delivery: Hysterotomy/Hysterectomy?	Reporting Fetal Death Information from a clinical setting to vital records [ClinicalDocument: templateId 2.16.840.1.113883.10.20.26.2] Labor and Delivery Section [Section: templateId 2.16.840.1.113883.10.20.26.8] Labor and Delivery Procedure Section [Section: templateId 2.16.840.1.113883.10.20.26.7]	Method of Delivery (templateId: 2.16.840.1.113883.10.20.26.45)	/entryrelationship/code@code='73759-3', CodeSystemName= 'LOINC', DisplayName= 'Hysterotomy or hysterectomy was performed at delivery; /value@value = HYST

Form Data Element < V1 X.7>	Form Data Element Name	Section Level Map (if specific)	Entry Level Map to Fetal Death CDA	Derivation Rule
TD	Time of delivery	Reporting Fetal Death Information from a clinical setting to vital records [ClinicalDocument: templateId 2.16.840.1.113883.10.20.26.2]	Fetal Delivery Time [Observation: templateId 2.16.840.1.113883.10.20.26.23]	/code@code='11778-8', CodeSystemName='LOINC', DisplayName= 'Delivery date for patient selected by practitioner using all pertinent information' /value@value contains TD
AUTOP	Was an autopsy performed?	Reporting Fetal Death Information from a clinical setting to vital records [ClinicalDocument: templateId 2.16.840.1.113883.10.20.26.2] Fetal Delivery Section (templateId: 2.16.840.1.113883.10.20.26.4)	Autopsy Performance (templateId: 2.16.840.1.113883.10.20.26.15)	/code@code= '73768-4', CodeSystemName= 'LOINC', DisplayName= 'Autopsy was performed' /value@value = IF AUTOP='Y' THEN '29240004', CodeSystemName=SNOMED-CT, DisplayName='Autopsy Examination' IF AUTOP='P' THEN '434661000124109', CodeSystemName=SNOMED-CT, DisplayName='Autopsy Planned' IF AUTOP='N' THEN '434661000124109', CodeSystemName=SNOMED-CT, DisplayName='Autopsy not performed'
FWO	Weight of Fetus (in ounces)	Reporting Fetal Death Information from a clinical setting to vital records [ClinicalDocument: templateId 2.16.840.1.113883.10.20.26.2] Fetal Delivery Section (templateId: 2.16.840.1.113883.10.20.26.4)	Weight [Observation: templateId 2.16.840.1.113883.10.20.26.46]	/code@code= Code=' 8339-4', CodeSystemName= 'LOINC', DisplayName='Body Weight^at birth' AND /value@value= FWO(PQ) /value/@unit= 'oz' NOTE: Preferred measure of weight is in Grams.

Form Data Element < V1 X.7>	Form Data Element Name	Section Level Map (if specific)	Entry Level Map to Fetal Death CDA	Derivation Rule
FWG	Weight of Fetus (grams preferred, specify unit)	Reporting Fetal Death Information from a clinical setting to vital records [ClinicalDocument: templateId 2.16.840.1.113883.10.20.26.2] Fetal Delivery Section (templateId: 2.16.840.1.113883.10.20.26.4)	Weight [Observation: templateId 2.16.840.1.113883.10.20.26.46]	/code@code= Code=' 8339-4', CodeSystemName= 'LOINC', DisplayName='Body Weight^at birth' AND /value@value= FWG(PQ) /value/@unit= 'gm' NOTE: Preferred measure of weight is in Grams.
FWP	Weight of Fetus (in pounds)	Reporting Fetal Death Information from a clinical setting to vital records [ClinicalDocument: templateId 2.16.840.1.113883.10.20.26.2] Fetal Delivery Section (templateId: 2.16.840.1.113883.10.20.26.4)	Weight [Observation: templateId 2.16.840.1.113883.10.20.26.46]	/code@code= Code=' 8339-4', CodeSystemName= 'LOINC', DisplayName='Body Weight^at birth' AND /value@value= FWP(PQ) /value/@unit= 'lb' NOTE: Preferred measure of weight is in Grams.
LM	Infections present and treated during this pregnancy: Listeria	Reporting Fetal Death Information from a clinical setting to vital records [ClinicalDocument: templateId 2.16.840.1.113883.10.20.26.2] History of Infection - Fetal Death Section (templateId: 2.16.840.1.113883.10.20.26.48)	Infection Present - Fetal Death (templateId: 2.16.840.1.113883.10.20.26.49)	IF LM = 'Y' then /code@code= Code= '73769-2', CodeSystemName= 'LOINC', DisplayName=' Infections present and or treated during this pregnancy for fetal death' AND /value@code= Code= '4241002', CodeSystemName='SNOMED CT', DisplayName='Listeriosis'

Form Data Element < V1 X.7>	Form Data Element Name	Section Level Map (if specific)	Entry Level Map to Fetal Death CDA	Derivation Rule
GBS	Infections present and treated during this pregnancy: Group B Streptococcus	Reporting Fetal Death Information from a clinical setting to vital records [ClinicalDocument: templateId 2.16.840.1.113883.10.20.26.2] History of Infection - Fetal Death Section (templateId: 2.16.840.1.113883.10.20.26.48)	Infection Present - Fetal Death (templateId: 2.16.840.1.113883.10.20.26.49)	IF GBS = 'Y' then /code@code= Code= '73769-2', CodeSystemName= 'LOINC', DisplayName= 'Infections present and or treated during this pregnancy for fetal death' AND /value@code= Code= '426933007', CodeSystemName= 'SNOMED CT', DisplayName= 'Streptococcus agalactiae infection'
CMV	Infections present and treated during this pregnancy: Cytomegalovirus	Reporting Fetal Death Information from a clinical setting to vital records [ClinicalDocument: templateId 2.16.840.1.113883.10.20.26.2] History of Infection - Fetal Death Section (templateId: 2.16.840.1.113883.10.20.26.48)	Infection Present - Fetal Death (templateId: 2.16.840.1.113883.10.20.26.49)	IF CMV = 'Y' then /code@code= Code= '73769-2', CodeSystemName= 'LOINC', DisplayName= 'Infections present and or treated during this pregnancy for fetal death' AND /value@code= Code= '28944009', CodeSystemName= 'SNOMED CT', DisplayName= 'Cytomegalovirus infection'
B19	Infections present and treated during this pregnancy: Parvovirus	Reporting Fetal Death Information from a clinical setting to vital records [ClinicalDocument: templateId 2.16.840.1.113883.10.20.26.2] History of Infection - Fetal Death Section (templateId: 2.16.840.1.113883.10.20.26.48)	Infection Present - Fetal Death (templateId: 2.16.840.1.113883.10.20.26.49)	IF B19 = 'Y' then /code@code= Code= '73769-2', CodeSystemName= 'LOINC', DisplayName= 'Infections present and or treated during this pregnancy for fetal death' AND /value@code= Code= '186748004', CodeSystemName= 'SNOMED CT', DisplayName= 'Parovirus infection'

Form Data Element < V1 X.7>	Form Data Element Name	Section Level Map (if specific)	Entry Level Map to Fetal Death CDA	Derivation Rule
HISTOP	Was a Histological Placental Examination performed?	Reporting Fetal Death Information from a clinical setting to vital records [ClinicalDocument: templateId 2.16.840.1.113883.10.20.26.2]  Fetal Delivery Section (templateId: 2.16.840.1.113883.10.20.26.4)	Autopsy Performance (templateId: 2.16.840.1.113883.10.20.26.15)	/entryRelationship/code@code= '73767-6', CodeSystemName= 'LOINC', DisplayName= 'Histological placental examination was performed'  /value@value = HISTOP
TOXO	Infections present and treated during this pregnancy: Toxoplasmosis	Reporting Fetal Death Information from a clinical setting to vital records [ClinicalDocument: templateId 2.16.840.1.113883.10.20.26.2]  History of Infection - Fetal Death Section (templateId: 2.16.840.1.113883.10.20.26.48)	Infection Present - Fetal Death (templateId: 2.16.840.1.113883.10.20.26.49)	IF TOXO = 'Y' then /code@code= Code= '73769-2', CodeSystemName= 'LOINC', DisplayName= 'Infections present and treated during this pregnancy for fetal death' AND /value@code= Code= '187192000', CodeSystemName= 'SNOMED CT', DisplayName= 'Toxoplasmosis'

5555

### 6.6.3 Form Data Element Mappings to Output HL7 Message

This section identifies the mapping of the data elements defined for this form and the specified output HL7 Message.

**Table 6.6.3-1: Form Data Elements Data Mapped to Output Message Segments**

Form Data Element < V1 X.7>	Form Data Element Name	Segment and Location within the Segment	Example

Form Data Element < V1 X.7>	Form Data Element Name	Segment and Location within the Segment	Example
ANTI	Abnormal conditions of the newborn: Antibiotics [received by the newborn for suspected neonatal sepsis]	OBX-2 SHALL contain CNE OBX-3 SHALL contain 73812-0^Abnormal conditions of the newborn OBX-5 SHALL contain 434621000124103^Antibiotics given for suspected neonatal sepsis	OBX 1 CNE 73812-0^Abnormal conditions of the Newborn ^LN  434621000124103^Antibiotics given for suspected neonatal sepsis^SNM      F
AVEN1	Abnormal conditions of the newborn: Assisted ventilation [required immediately following delivery]	OBX-2 SHALL contain CNE OBX-3 SHALL contain 73812-0^Abnormal conditions of the newborn OBX-5 SHALL contain PHC1250^Assisted ventilation required immediately following delivery	OBX 1 CNE 73812-0^Abnormal conditions of the Newborn ^LN  PHC1250^ Assisted ventilation required immediately following delivery^CDCPHINVS      F
AVEN6	Abnormal conditions of the newborn: Assisted ventilation for 6 or more hours	OBX-2 SHALL contain CNE OBX-3 SHALL contain 73812-0^Abnormal conditions of the newborn OBX-5 SHALL contain PHC1251^Assisted ventilation required for more than six hours	OBX 1 CNE 73812-0^Abnormal conditions of the Newborn ^LN  PHC1251^ Assisted ventilation required for more than six hours^CDCPHINVS      F
BINJ	Abnormal conditions of the newborn: Significant birth injury [ (skeletal fracture(s), peripheral nerve injury, and/or soft tissue/solid organ hemorrhage which requires intervention)]	OBX-2 SHALL contain CNE OBX-3 SHALL contain 73812-0^Abnormal conditions of the newborn OBX-5 SHALL contain 56110009^Birth trauma of fetus	OBX 1 CNE 73812-0^Abnormal conditions of the Newborn ^LN  56110009^Birth trauma of fetus^SNM      F

Form Data Element < V1 X.7>	Form Data Element Name	Segment and Location within the Segment	Example
NICU	Abnormal conditions of the newborn: Admission to NICU	OBX-2 SHALL contain CNE OBX-3 SHALL contain 73812-0^Abnormal conditions of the newborn OBX-5 SHALL contain 405269005^Neonatal intensive care unit	OBX 1 CNE 73812-0^Abnormal conditions of the Newborn ^LN  405269005^ Neonatal intensive care unit^SNM      F
SEIZ	Abnormal conditions of the newborn: Seizure or serious neurologic dysfunction	OBX-2 SHALL contain CNE OBX-3 SHALL contain 73812-0^Abnormal conditions of the newborn OBX-5 SHALL contain 91175000^Seizure	OBX 1 CNE 73812-0^Abnormal conditions of the Newborn ^LN  91175000^ Seizure^SNM      F
SURF	Abnormal conditions of the newborn:[Newborn given] Surfactant replacement therapy	OBX-2 SHALL contain CNE OBX-3 SHALL contain 73812-0^Abnormal conditions of the newborn OBX-5 SHALL contain 434701000124101^Surfactant replacement therapy	OBX 1 CNE 73812-0^Abnormal conditions of the Newborn ^LN  434701000124101^ Surfactant replacement therapy ^SNM      F
NOA54	Abnormal conditions of the newborn: None of the above	OBX-2 SHALL contain CNE OBX-3 SHALL contain 73812-0^Abnormal conditions of the newborn OBX-5 SHALL contain 260413007 None (qualifier value)	OBX 31 CNE 73812-0^Abnormal conditions of the Newborn ^LN  260413007^None (qualifier value)^SNM      F
APGAR5	Apgar Score: 5 Minute	OBX-2 SHALL contain NM OBX-3 SHALL contain 9274-2^Score^5M post birth OBX-5 SHALL contain the 5-minute Apgar Score	OBX 1 NM 9274-2^ Score^5M post birth ^LN  4
APGAR10	Apgar Score: 10 Minute	OBX-2 SHALL contain NM OBX-3 SHALL contain 9271-8^Score^10M post birth OBX-5 SHALL contain the 10-minute Apgar Score	OBX 1 NM 9271-8 ^ Score^10M post birth ^LN  8
ATTEND N	Attendant's name	ROL-2 SHALL contain LI ROL-3 SHALL contain ATT ROL-4 SHALL contain the attendant's Name, practice location, and NPI	ROL  LI ATT 888-003^Xxwalshingham^Albert^DR^^Go od Health Hospital^^NPI



Form Data Element < V1 X.7>	Form Data Element Name	Segment and Location within the Segment	Example
ATTEND	Attendant's title:	OBX-2 SHALL contain CNE OBX-3 SHALL contain 73764-3^Birth Attendant Title OBX-5 SHALL contain a value selected from value the set Birth Attendant Title (Birth Attendant Titles) <a href="https://phinvads.cdc.gov/vads/ViewValueSet.action?oid=2.16.840.1.114222.4.11.7111">https://phinvads.cdc.gov/vads/ViewValueSet.action?oid=2.16.840.1.114222.4.11.7111</a>	OBX 1 CNE 73764-3^Birth Attendant^LN  76231001^ Osteopath^SNM      F
ATTEND S	Attendant: Other specified	OBX-2 SHALL contain CNE OBX-3 SHALL contain 73764-3^Attendants's Title OBX-5 SHALL contain 394841004^ Other category (qualifier value) OBX-5 SHALL contain the Text Description of the Attendant's Title in Alternate Text 73764-3^ Birth attendant title	OBX 3 CNE 73764-3^Attendants's Title^LN  394841004^ Other category (qualifier value) ^SNM^Chief Birthing Specialist     F
NPI	Attendant's NPI	ROL-2 SHALL contain LI ROL-3 SHALL contain ATT ROL-4 SHALL contain the attendant's Name, and NPI	ROL  LI ATT  1234^Admit^Alan^A^III^Dr^^&2.16.840.1.113883.19.4.6&ISO^ ^^^EI^&2.16.840.1.113883.19.4.6&ISO^^^^^^MD
BWG	Birth weight (Infant's)	OBX-2 SHALL contain NM OBX-3 SHALL contain 8339-4 ^Body weight^at birth OBX-5 SHALL contain the birthweight in Grams OBX-6 SHALL indicate grams using UCUM units: SHALL contain gm	OBX 24 NM 8339-4 ^ Body weight^at birth^LN  1200 gm
BWO	Birth weight (Infant's)	OBX-2 SHALL contain NM OBX-3 SHALL contain 8339-4 ^Body weight^at birth OBX-5 SHALL contain the birthweight in Ounces OBX-6 SHALL indicate ounces using UCUM units: SHALL contain oz NOTE: it is preferred to send in grams (see BWG)	OBX 24 NM 8339-4 ^Body weight^at birth^LN  1200 oz

Form Data Element < V1 X.7>	Form Data Element Name	Segment and Location within the Segment	Example
BWP	Birth weight (Infant's)	OBX-2 SHALL contain NM OBX-3 SHALL contain 8339-4 ^ Body weight^at birth OBX-5 SHALL contain the birthweight in Pounds OBX-6 SHALL indicate pounds using UCUM units: SHALL contain lb NOTE: it is preferred to send in grams (see BWG)	OBX 24 NM 8339-4 ^Body weight^at birth ^LN  1200  lb
ANTB	Characteristics of labor and delivery: Antibiotics[received by the mother during labor]	OBX-2 SHALL contain CNE OBX-3 SHALL contain 73813-8^ Characteristics of labor and delivery OBX-5 SHALL contain 281789004^Antibiotics received during labor	OBX 23 CNE 73813-8^Characteristics of labor and delivery^LN  281789004^Antibiotics received during labor^SNM     F
AUGL	Characteristics of labor and delivery: Augmentation of labor	OBX-2 SHALL contain CNE OBX-3 SHALL contain 73813-8^ Characteristics of labor and delivery OBX-5 SHALL contain 237001001^Augmentation of Labor	OBX 23 CNE 73813-8^Characteristics of labor and delivery^LN  237001001^Augmentation of Labor^SNM     F
CHOR	Characteristics of labor and delivery: [Clinical] Chorioamnionitis [diagnosed during labor or maternal temperature >=38 degrees (100.4F)]	OBX-2 SHALL contain CNE OBX-3 SHALL contain 73813-8^ Characteristics of labor and delivery OBX-5 SHALL contain 11612004^ Chorioamnionitis	OBX 23 CNE 73813-8^Characteristics of labor and delivery^LN  11612004^Chorioamnionitis^SNM     F
ESAN	Characteristics of labor and delivery: [Epidural or spinal]Anesthesia[during labor]	OBX-2 SHALL contain CNE OBX-3 SHALL contain 73813-8^ Characteristics of labor and delivery OBX-5 SHALL contain 231064003^ Intrathecal injection of local anesthetic agent	OBX 23 CNE 73813-8^Characteristics of labor and delivery^LN  231064003^ Intrathecal injection of local anesthetic agent^SNM     F

Form Data Element < V1 X.7>	Form Data Element Name	Segment and Location within the Segment	Example
INDL	Characteristics of labor and delivery: Induction of labor	OBX-2 SHALL contain CNE OBX-3 SHALL contain 73813-8^ Characteristics of labor and delivery OBX-5 SHALL contain 236958009^Induction of labor	OBX 23 CNE 73813-8^Characteristics of labor and delivery^LN  236958009^Induction of labor^SNM     F
STER	Characteristics of labor and delivery: Steroids [(glucocorticoids) for fetal lung maturation received by the mother prior to delivery]	OBX-2 SHALL contain CNE OBX-3 SHALL contain 73813-8^ Characteristics of labor and delivery OBX-5 SHALL contain 434611000124106 ^Maternal antenatal administration of corticosteroids for fetal lung maturation	OBX 23 CNE 73813-8^Characteristics of labor and delivery^LN  434611000124106 ^Maternal antenatal administration of corticosteroids for fetal lung maturation ^SNM     F
NOA04	Characteristics of labor and delivery: None of the above	OBX-2 SHALL contain CNE OBX-3 SHALL contain 73813-8^ Characteristics of labor and delivery OBX-5 SHALL contain 260413007^ None (qualifier value)	OBX 23 CNE 73813-8^Characteristics of labor and delivery^LN  260413007^ None (qualifier value)^SNM     F
DNA04	Characteristics of labor and delivery: Pending	PENDING (see open issues surrounding 'Pending flag')	
IDOB_YR	Child: Date of Birth: Year	PID-7 SHALL contain the Newborn's date and time of birth, or (for fetal death reporting) the delivery date and time of delivery of the fetus.	PID 1  123456688^^^MRN  Johnson^ Baby  20110313 F         N
IDOB_M O	Child: Date of Birth: Month	PID-7 SHALL contain the Newborn's date and time of birth, or (for fetal death reporting) the delivery date and time of delivery of the fetus.	PID 1  123456688^^^MRN  Johnson^ Baby  20110313 F         N
IDOB_DY	Child: Date of Birth: Day	PID-7 SHALL contain the Newborn's date and time of birth, or (for fetal death reporting) the delivery date and time of delivery of the fetus.	PID 1  123456688^^^MRN  Johnson^ Baby  20110313 F         N

Form Data Element < V1 X.7>	Form Data Element Name	Segment and Location within the Segment	Example
KIDFNAME	Child's First Name/ Name of Fetus(optional at the discretion of the parents)	PID-5 SHALL contain the New born name. In the case of fetal death reporting, a name may be provided at the discretion of the parents. When the name is not provided, a value must still be placed in this field since the field is required. In that case, HL7 recommends the following:  ~^^^^^U . The "U" for the name type code in the second name indicates that it is unspecified. Since there may be no name components populated, this means there is no legal name, nor is there an alias. This guide will interpret this sequence to mean there is no newborn or fetus name.	PID 1  123456688^^^^MRN  Johnson^ Baby  20110313 F         N
KIDMNAME	Child's Middle Name / Name of Fetus(optional at the discretion of the parents)	PID-5 SHALL contain the New born name. In the case of fetal death reporting, a name may be provided at the discretion of the parents. When the name is not provided, a value must still be placed in this field since the field is required. In that case, HL7 recommends the following:  ~^^^^^U . The "U" for the name type code in the second name indicates that it is unspecified. Since there may be no name components populated, this means there is no legal name, nor is there an alias. This guide will interpret this sequence to mean there is no newborn or fetus name.	PID 1  123456688^^^^MRN  Johnson^ Baby  20110313 F         N
KIDLNAME	Child's Last Name / Name of Fetus(optional at the discretion of the parents)	PID-5 SHALL contain the New born name. In the case of fetal death reporting, a name may be provided at the discretion of the parents. When the name is not provided, a value must still be placed in this field since the field is required. In that case, HL7 recommends the following:  ~^^^^^U . The "U" for the name type code in the second name indicates that it is unspecified. Since there may be no name components populated, this means there is no legal name, nor is there an alias. This guide will interpret this sequence to mean there is no newborn or fetus name.	PID 1  123456688^^^^MRN  Johnson^ Baby  20110313 F         N

Form Data Element < V1 X.7>	Form Data Element Name	Segment and Location within the Segment	Example
KIDSUFF X	Child's Last Name Suffix:	PID-5 SHALL contain the New born name. In the case of fetal death reporting, a name may be provided at the discretion of the parents. When the name is not provided, a value must still be placed in this field since the field is required. In that case, HL7 recommends the following:  ~^U . The "U" for the name type code in the second name indicates that it is unspecified. Since there may be no name components populated, this means there is no legal name, nor is there an alias. This guide will interpret this sequence to mean there is no newborn or fetus name.	PID 1  123456688^^^MRN  Johnson^ Baby  20110313 F     N
BFED	Child: Infant being breastfed?	OBX-2 SHALL contain CE OBX-3 SHALL contain 73756-9^Infant is being breastfed at discharge OBX-5 SHALL contain a value selected from HL7 Table 0532 – Expanded Yes/No Indicator (HL7 Defined)	OBX 34 CE 73756-9^Infant is being breastfed at discharge^LN  Y^Yes^HL70532     F
ILIV	Child: Infant living at time of report?	OBX-2 SHALL contain CE OBX-3 SHALL contain 73757-7^Infant living at time of report OBX-5 SHALL contain a value selected from HL7 Table 0532 – Expanded Yes/No Indicator (HL7 Defined)	OBX 59 CE 73757-7^Infant living at time of report^LN  Y^Yes^HL70532     F
IRECNUM	Child: Newborn Medical Record Number	PID-3	PID 1  123456688^^^MRN  Johnson^ Baby  20110313 F     N
ISEX	Child: (infant) Sex -	PID-8	PID 1  123456688^^^MRN  Johnson^ Baby  20110313 F     N

Form Data Element < V1 X.7>	Form Data Element Name	Segment and Location within the Segment	Example
ITRAN	Child: Infant transferred within 24 hours of delivery/name the facility FTRAN	OBX-2 SHALL contain CE OBX-3 SHALL contain 73758-5^Infant was transferred within 24 hours of delivery OBX-5 SHALL contain a value selected from value the set from HL7 Table 0532 – Expanded Yes/No Indicator (HL7 Defined)	OBX 32 CE 73758-5^ Infant was transferred within 24 hours of delivery ^LN  N^No^HL70532    F
FTRAN	Child: Infant transferred within 24 hours of delivery/name the facility	OBX-2 SHALL contain CE OBX-3 SHALL contain 73770-0^ Name of facility infant transferred to OBX-5 SHALL contain the name of the facility the infant was transferred to. (Only value if the infant was transferred within 24 hours of delivery.)	OBX 32 CE 73770-0^ Name of facility infant transferred to to^LN  N^No^HL70532    F
TB	Child: Time of Birth	PID-7 SHALL contain the Newborn’s date and time of birth, or (for fetal death reporting) the delivery date and time of delivery of the fetus.	PID 1  123456688^^^MRN  Johnson^ Baby  20110313 F         N
ANEN	Congenital anomalies of the Newborn: Anencephaly	OBX-2 SHALL contain CNE OBX-3 SHALL contain 73780-9^Congenital anomalies of the newborn OBX-5 SHALL contain 89369001^Anencephalus	OBX 27 CNE 73780-9^Congenital anomalies of the Newborn ^LN  89369001^Anencephalus^SNM     F
CCHD	Congenital anomalies of the Newborn: Cyanotic congenital heart disease	OBX-2 SHALL contain CNE OBX-3 SHALL contain 73780-9^Congenital anomalies of the newborn OBX-5 SHALL contain 12770006^Cyanotic congenital heart disease	OBX 27 CNE 73780-9^Congenital anomalies of the Newborn ^LN  12770006^Cyanotic congenital heart disease^SNM     F
CDH	Congenital anomalies of the Newborn:- Congenital diaphragmatic hernia	OBX-2 SHALL contain CNE OBX-3 SHALL contain 73780-9^Congenital anomalies of the newborn OBX-5 SHALL contain 17190001^Congenital diaphragmatic hernia	OBX 27 CNE 73780-9^Congenital anomalies of the Newborn ^LN  17190001^Congenital diaphragmatic hernia^SNM     F

Form Data Element < V1 X.7>	Form Data Element Name	Segment and Location within the Segment	Example
CDIS	Congenital anomalies of the Newborn: Suspected chromosomal disorder	OBX-2 SHALL contain CNE OBX-3 SHALL contain 73780-9^Congenital anomalies of the newborn OBX-5 SHALL contain 409709004^Chromosomal disorder	OBX 27 CNE 73780-9^Congenital anomalies of the Newborn ^LN  409709004^Chromosomal disorder^SNM      F
CDIC	Congenital anomalies of the Newborn: Suspected chromosomal Disorder karyotype confirmed	OBX-2 SHALL contain CNE OBX-3 SHALL contain 73780-9^Congenital anomalies of the newborn OBX-5 SHALL contain 409709004^Chromosomal disorder (disorder) AND a second OBX segment WHERE: OBX-2 SHALL contain CNE OBX-3 SHALL contain 73778-3^Suspected chromosomal disorder karyotype status OBX-5 SHALL contain 442124003^Karyotype evaluation abnormal	OBX 27 CNE 73780-9^Congenital anomalies of the Newborn ^LN  409709004^Chromosomal disorder^SNM      F  OBX 27 CNE 73778-3 ^Suspected chromosomal disorder karyotype status^LN  442124003^Karyotype evaluation abnormal^SNM      F
'CDIP	Congenital anomalies of the Newborn: Suspected chromosomal disorder karyotype pending	OBX-2 SHALL contain CNE OBX-3 SHALL contain 73780-9^Congenital anomalies of the newborn OBX-5 SHALL contain 409709004^Chromosomal disorder (disorder) AND a second OBX segment WHERE: OBX-2 SHALL contain CNE OBX-3 SHALL contain 73778-3^Suspected chromosomal disorder karyotype status OBX-5 SHALL contain 312948004^ Karyotype determination	OBX 27 CNE 73780-9^Congenital anomalies of the Newborn ^LN  409709004^Chromosomal disorder^SNM      F OBX 27 CNE 73778-3^Suspected chromosomal disorder karyotype ^LN  312948004^ Karyotype determination^SNM      F

Form Data Element < V1 X.7>	Form Data Element Name	Segment and Location within the Segment	Example
CL	Congenital anomalies of the Newborn: Cleft Lip with or without Cleft Palate	OBX-2 SHALL contain CNE OBX-3 SHALL contain 73780-9^Congenital anomalies of the newborn OBX-5 SHALL contain 80281008^Cleft lip	OBX 27 CNE 73780-9^Congenital anomalies of the Newborn ^LN  80281008^Cleft lip^SNM      F
CP	Congenital anomalies of the Newborn: Cleft Palate alone	OBX-2 SHALL contain CNE OBX-3 SHALL contain 73780-9^Congenital anomalies of the newborn OBX-5 SHALL contain 87979003^ Cleft palate	OBX 27 CNE 73780-9^Congenital anomalies of the Newborn ^LN  87979003^ Cleft palate^SNM      F
DOWC	Congenital anomalies of the Newborn: Down Karyotype Confirmed	OBX-2 SHALL contain CNE OBX-3 SHALL contain 73780-9^Congenital anomalies of the newborn OBX-5 SHALL contain 70156005^Anomaly of chromosome pair 21 (disorder) AND a second OBX segment WHERE: OBX-2 SHALL contain CNE OBX-3 SHALL contain 73779-1^Down syndrome karyotype status OBX-5 SHALL contain 442124003^Karyotype evaluation abnormal (finding)	OBX 27 CNE 73780-9^Congenital anomalies of the Newborn ^LN  70156005^Anomaly of chromosome pair 21^SNM      F  OBX 27 CNE 73779-1^Down syndrome karyotype status ^LN  442124003^Karyotype evaluation abnormal (finding)^SNM      F
DOWN	Congenital anomalies of the Newborn: Down Syndrome	OBX-2 SHALL contain CNE OBX-3 SHALL contain 73780-9^Congenital anomalies of the newborn OBX-5 SHALL contain 70156005^Anomaly of chromosome pair 21	OBX 27 CNE 73780-9^Congenital anomalies of the Newborn ^LN  70156005^Anomaly of chromosome pair 21^SNM      F



Form Data Element < V1 X.7>	Form Data Element Name	Segment and Location within the Segment	Example
DOWP	Congenital anomalies of the Newborn: Down Karyotype Pending	OBX-2 SHALL contain CNE OBX-3 SHALL contain 73780-9^Congenital anomalies of the newborn OBX-5 SHALL contain 70156005^Anomaly of chromosome pair 21 AND a second OBX segment WHERE: OBX-2 SHALL contain CNE OBX-3 SHALL contain 73779-1^Down syndrome karyotype status OBX-5 SHALL contain 312948004^ Karyotype determination	OBX 27 CNE 73780-9^Congenital anomalies of the Newborn ^LN  70156005^Anomaly of chromosome pair 21 (disorder)^SNM      F  OBX 27 CNE 73779-1^ Down syndrome karyotype status ^LN  ^312948004^ Karyotype determination^SNM      F
GAST	Congenital anomalies of the Newborn: Gastroschisis	OBX-2 SHALL contain CNE OBX-3 SHALL contain 73780-9^Congenital anomalies of the newborn OBX-5 SHALL contain 72951007^Gastroschisis	OBX 27 CNE 73780-9^Congenital anomalies of the Newborn ^LN  72951007^Gastroschisis^SNM      F
HYPO	Congenital anomalies of the Newborn: Hypospadias	OBX-2 SHALL contain CNE OBX-3 SHALL contain 73780-9^Congenital anomalies of the newborn OBX-5 SHALL contain 416010008^Hypospadias	OBX 27 CNE 73780-9^Congenital anomalies of the Newborn ^LN  416010008^Hypospadias^SNM      F
LIMB	Congenital anomalies of the Newborn: Limb reduction defect	OBX-2 SHALL contain CNE OBX-3 SHALL contain 73780-9^Congenital anomalies of the newborn OBX-5 SHALL contain 67341007^Longitudinal deficiency of limb	OBX 27 CNE 73780-9^Congenital anomalies of the Newborn ^LN  67341007^Longitudinal deficiency of limb^SNM      F
MNSB	Congenital anomalies of the Newborn: Meningocele/ Spina Bifida	OBX-2 SHALL contain CNE OBX-3 SHALL contain 73780-9^Congenital anomalies of the newborn OBX-5 SHALL contain 67531005^Spina bifida	OBX 27 CNE 73780-9^Congenital anomalies of the Newborn ^LN  67531005^Spina bifida^SNM      F

Form Data Element < V1 X.7>	Form Data Element Name	Segment and Location within the Segment	Example
OMPH	Congenital anomalies of the Newborn: Omphalocele	OBX-2 SHALL contain CNE OBX-3 SHALL contain 73780-9^Congenital anomalies of the newborn OBX-5 SHALL contain 18735004^Congenital omphalocele	OBX 27 CNE 73780-9^Congenital anomalies of the Newborn ^LN  17190001^18735004^Congenital omphalocele^SNM      F
NOA55	Congenital anomalies of the Newborn: None of the anomalies listed above	OBX-2 SHALL contain CNE OBX-3 SHALL contain 73780-9^Congenital anomalies of the newborn OBX-5 SHALL contain 260413007^None (qualifier value)	OBX 27 CNE 73780-9^Congenital anomalies of the Newborn ^LN  260413007^None (qualifier value)^SNM      F
DNA55	Characteristics of labor and delivery: Pending	PENDING (see open issues surrounding 'Pending flag')	
YLLB	Date of last live birth:	OBX-2 SHALL contain TS OBX-3 SHALL contain 68499-3^Date last live birth OBX-5 SHALL contain the date of birth of the last live-born infant (month and year) excluding this delivery. Includes live-born infants now living and now dead. If this was a multiple delivery, include all live born infants who preceded the live born infant in this delivery. If first born, do not include this infant. If second born, include the first born. (Month and year should be provided.)	OBX 14 TS 68499-3^Date last live birth^LN  20090926

Form Data Element < V1 X.7>	Form Data Element Name	Segment and Location within the Segment	Example
MLLB	Date of last live birth:	OBX-2 SHALL contain TS OBX-3 SHALL contain 68499-3^Date last live birth OBX-5 SHALL contain the date of birth of the last live-born infant (month and year) excluding this delivery. Includes live-born infants now living and now dead. If this was a multiple delivery, include all live born infants who preceded the live born infant in this delivery. If first born, do not include this infant. If second born, include the first born. (Month and year should be provided.)	OBX 14[TS 68499-3^Date last live birth^LN  20090926
DLMP_D Y	Date last Normal Menses began:	OBX-2 SHALL contain TS OBX-3 SHALL contain 8665-2^Date last menstrual period OBX-5 SHALL contain the date the mother's last normal menstrual period began. (month, day and year.)	OBX 16[TS 8665-2^ Date last menstrual period   20100418
DLMP_M O	Date last Normal Menses began:	OBX-2 SHALL contain TS OBX-3 SHALL contain 8665-2^Date last menstrual period OBX-5 SHALL contain the date the mother's last normal menstrual period began. (month, day and year.)	OBX 16[TS 8665-2^ Date last menstrual period   20100418
DLMP_Y R	Date last Normal Menses began:	OBX-2 SHALL contain TS OBX-3 SHALL contain 8665-2^Date last menstrual period OBX-5 SHALL contain the date the mother's last normal menstrual period began. (month, day and year.)	OBX 16[TS 8665-2^ Date last menstrual period   20100418
YOPO	Date of Last Other Pregnancy Outcome: Year	OBX-2 SHALL contain TS OBX-3 SHALL contain 68500-8^Date last other pregnancy outcome OBX-5 SHALL contain the date that the last pregnancy that did not result in a live birth ended. Includes pregnancy losses at any gestation age. (month and year)	OBX 16[TS 68500-8^Date last other pregnancy outcome  20100418

Form Data Element < V1 X.7>	Form Data Element Name	Segment and Location within the Segment	Example
MOPO	Date of Last Other Pregnancy Outcome: Month	OBX-2 SHALL contain TS OBX-3 SHALL contain 68500-8^Date last other pregnancy outcome OBX-5 SHALL contain the date that the last pregnancy that did not result in a live birth ended. Includes pregnancy losses at any gestation age. (month and year)	OBX 16 TS 68500-8^Date last other pregnancy outcome  20100418
ADDRESS_D	Facility Address	OBX-2 SHALL contain TS OBX-3 SHALL contain 68500-8^Date last other pregnancy outcome OBX-5 SHALL contain the date that the last pregnancy that did not result in a live birth ended. Includes pregnancy losses at any gestation age. (month and year)	OBX 16 TS 68500-8^Date last other pregnancy outcome  20100418
FNAME	Facility Name (if Not institution, give street and number)	ROL-4	ROL  AD FAC Good Health Hospital     300 Main St^^Metropolis^Rhode Island^03443^B
FNPI	Facility National Provider Identifier	ROL-4	ROL  AD FAC Good Health Hospital     300 Main St^^Metropolis^Rhode Island^03443^B

Form Data Element < V1 X.7>	Form Data Element Name	Segment and Location within the Segment	Example
CHAM	Infections present and treated during this pregnancy: Chlamydia	<p>For Live Birth:                      OBX-2 SHALL contain CNE                      OBX-3 SHALL contain 72519-2^ Infections present &amp;or treated during this pregnancy for live birth                      OBX-5 SHALL contain 105629000^Chlamydial infection</p> <p>For Fetal Death:                      OBX-2 SHALL contain CNE                      OBX-3 SHALL contain 73769-2^ Infections present and treated during the pregnancy for fetal death                      OBX-5 SHALL contain 105629000^Chlamydial infection</p>	<p>For Live Birth:                      OBX 20 CNE 72519-2^Infections present and treated during this pregnancy for live birth^LN  105629000^Chlamydial infection ^SNM     F</p> <p>For Fetal Death:                      OBX 19 CNE 73769-2^Infections present treated during the pregnancy for fetal death^LN  105629000^Chlamydial infection ^SNM     F</p>
GON	Infections present and treated during this pregnancy: Gonorrhea	<p>For Live Birth:                      OBX-2 SHALL contain CNE                      OBX-3 SHALL contain 72519-2^ Infections present &amp;or treated during this pregnancy for live birth                      OBX-5 SHALL contain 15628003^Gonorrhea</p> <p>For Fetal Death:                      OBX-2 SHALL contain CNE                      OBX-3 SHALL contain 73769-2^ Infections present and treated during the pregnancy for fetal death                      OBX-5 SHALL contain 15628003^Gonorrhea</p>	<p>For Live Birth:                      OBX 20 CNE 72519-2^Infections present and treated during this pregnancy for live birth^LN  15628003^Gonorrhea ^SNM     F</p> <p>For Fetal Death:                      OBX 19 CNE 73769-2^Infections present treated during the pregnancy for fetal death^LN 15628003^Gonorrhea^SNM     F</p>

Form Data Element < V1 X.7>	Form Data Element Name	Segment and Location within the Segment	Example
HEPB	Infections present and treated during this pregnancy: Hepatitis B	<p>For Live Birth:                      OBX-2 SHALL contain CNE                      OBX-3 SHALL contain 72519-2^ Infections present &amp;or treated during this pregnancy for live birth                      OBX-5 SHALL contain 66071002^ Type B viral hepatitis</p> <p>For Fetal Death:                      OBX-2 SHALL contain CNE                      OBX-3 SHALL contain 73769-2^ Infections present and treated during the pregnancy for fetal death                      OBX-5 SHALL contain 66071002^ Type B viral hepatitis</p>	<p>For Live Birth:                      OBX 20 CE 72519-2^Infections present and treated during this pregnancy for live birth^LN  66071002^ Type B viral hepatitis ^SNM     F</p> <p>For Fetal Death:                      OBX 19 CE 73769-2^Infections present treated during the pregnancy for fetal death^LN 66071002^ Type B viral hepatitis ^SNM      F</p>
HEPC	Infections present and treated during this pregnancy: Hepatitis C	<p>For Live Birth:                      OBX-2 SHALL contain CNE                      OBX-3 SHALL contain 72519-2^Infections present &amp;or treated during this pregnancy for live birth                      OBX-5 SHALL contain 50711007^Viral hepatitis C</p> <p>For Fetal Death:                      OBX-2 SHALL contain CNE                      OBX-3 SHALL contain 73769-2^Infections present and treated during the pregnancy for fetal death                      OBX-5 SHALL contain 50711007^Viral hepatitis C</p>	<p>For Live Birth:                      OBX 20 CNE 72519-2^Infections present and treated during this pregnancy for live birth^LN  50711007^Viral hepatitis C^SNM     F</p> <p>For Fetal Death:                      OBX 19 CNE 73769-2^Infections present treated during the pregnancy for fetal death^LN 50711007^Viral hepatitis C^SNM      F</p>

Form Data Element < V1 X.7>	Form Data Element Name	Segment and Location within the Segment	Example
SYPH	Infections present and treated during this pregnancy: Syphilis	<p>For Live Birth:                      OBX-2 SHALL contain CNE                      OBX-3 SHALL contain 72519-2^Infections present &amp;or treated during this pregnancy for live birth                      OBX-5 SHALL contain 76272004^Syphilis</p> <p>For Fetal Death:                      OBX-2 SHALL contain CNE                      OBX-3 SHALL contain 73769-2^Infections present and treated during the pregnancy for fetal death                      OBX-5 SHALL contain 76272004^Syphilis</p>	<p>For Live Birth:                      OBX 20 CNE 72519-2^Infections present and treated during this pregnancy for live birth^LN  76272004^Syphilis^SNM     F</p> <p>For Fetal Death:                      OBX 19 CNE 73769-2^Infections present treated during the pregnancy for fetal death^LN 76272004^Syphilis^SNM     F</p>
NOA02	Infections present and treated during this pregnancy: None of the above	<p>For Live Birth:                      OBX-2 SHALL contain CNE                      OBX-3 SHALL contain 72519-2^Infections present &amp;or treated during this pregnancy for live birth                      OBX-5 SHALL contain 76272004^Syphilis (disorder)</p> <p>For Fetal Death:                      OBX-2 SHALL contain CNE                      OBX-3 SHALL contain 73769-2^Infections present and treated during the pregnancy for fetal death                      OBX-5 SHALL contain 260413007^None (qualifier value)</p>	<p>For Live Birth:                      OBX 20 CNE 72519-2^Infections present and treated during this pregnancy for live birth^LN  260413007^None (qualifier value)^SNM     F</p> <p>For Fetal Death:                      OBX 19 CNE 73769-2^Infections present treated during the pregnancy for fetal death^LN 260413007^None (qualifier value)^SNM     F</p>
AINT	Maternal Morbidity: - Admission to Intensive care [unit]	<p>OBX-2 SHALL contain CNE                      OBX-3 SHALL contain 73781-7^ Maternal morbidity                      OBX-5 SHALL contain 309904001^Intensive care unit</p>	<p>OBX 23 CNE 73781-7^Maternal Morbidity ^LN  309904001^Intensive care unit^SNM     F</p>

Form Data Element < V1 X.7>	Form Data Element Name	Segment and Location within the Segment	Example
MTR	Maternal Morbidity: Maternal Transfusion	OBX-2 SHALL contain CNE OBX-3 SHALL contain 73781-7^ Maternal morbidity OBX-5 SHALL contain 116859006^Transfusion of blood product (procedure)	OBX 22 CNE 73781-7^Maternal Morbidity ^LN  116859006^Transfusion of blood product^SNM     F
PLAC	Maternal Morbidity: [Third or fourth degree] perineal laceration	OBX-2 SHALL contain CNE OBX-3 SHALL contain 73781-7^ Maternal morbidity OBX-5 SHALL contain 398019008^Perineal laceration during delivery (disorder)	OBX 22 CNE 73781-7^Maternal Morbidity ^LN  398019008^Perineal laceration during delivery (disorder)^SNM     F
RUT	Maternal Morbidity: Ruptured Uterus	OBX-2 SHALL contain CNE OBX-3 SHALL contain 73781-7^ Maternal morbidity OBX-5 SHALL contain 34430009^Rupture of uterus (disorder)	OBX 22 CNE 73781-7^Maternal Morbidity ^LN  34430009^Rupture of uterus (disorder)^SNM     F
UHYS	Maternal Morbidity: Unplanned hysterectomy	OBX-2 SHALL contain CNE OBX-3 SHALL contain 73781-7^ Maternal morbidity OBX-5 SHALL contain 625654015^Emergency cesarean hysterectomy (procedure)	OBX 22 CNE 73781-7^Maternal Morbidity ^LN  625654015^Emergency cesarean hysterectomy (procedure)^SNM     F
UOPR	Maternal Morbidity: Unplanned operat[ing]ion [room procedure following delivery]	OBX-2 SHALL contain CNE OBX-3 SHALL contain 73781-7^ Maternal morbidity OBX-5 SHALL contain 177217006^Immediate repair of obstetric laceration (procedure)	OBX 22 CNE 73781-7^Maternal Morbidity ^LN  177217006^Immediate repair of obstetric laceration (procedure)^SNM     F
NOA05	Maternal Morbidity:None of the above  NOTE: NOA05 is also used for onset of labor	OBX-2 SHALL contain CNE OBX-3 SHALL contain 73781-7^ Maternal morbidity OBX-5 SHALL contain 260413007^None (qualifier value)	OBX 22 CNE 73781-7^Maternal Morbidity ^LN  260413007^None (qualifier value)^SNM     F



Form Data Element < V1 X.7>	Form Data Element Name	Segment and Location within the Segment	Example
PRES	Method of Delivery: Fetal presentation [at birth]: Cephalic	OBX-2 SHALL contain CNE OBX-3 SHALL contain 73761-9^Fetal Presentation at Birth OBX-5 SHALL contain 70028003^Vertex presentation (finding)	OBX 24 CNE 73761-9^Fetal presentation at Birth^LN  70028003^Cephalic^SNM   F
ROUT	Method of Delivery: [Final]Route and method of delivery: Breech	OBX-2 SHALL contain CNE OBX-3 SHALL contain 73761-9^Fetal Presentation at Birth OBX-5 SHALL contain 6096002^Breech Presentation	OBX 20 CNE 73761-9^Fetal presentation at Birth^LN  6096002^Breech Presentation^SNM   F
ROUT	Method of Delivery: [Final]Route and method of delivery: Other	OBX-2 SHALL contain CNE OBX-3 SHALL contain 73761-9^Fetal Presentation at Birth OBX-5 SHALL contain 394841004^Other category (qualifier value)	OBX 20 CNE 73761-9^Fetal presentation at Birth^LN  6096002^Breech Presentation^SNM   F
TLAB	Method of Delivery: Trial of labor attempted	OBX-2 SHALL contain CNE OBX-3 SHALL contain 73760-1^If cesarean, a trial of labor was attempted OBX-5 SHALL contain boolean indication using HL7 0532 Expanded yes/no indicator (NCHS of whether a trial of labor was attempted when the final route and method of delivery is a cesarean.	OBX 24 CE 73761-9^Fetal presentation at Birth^LN  N^No^HL70532   F
MFNAME	Mother's Current Legal Name: First Name	NK1-2	NK1 1 Johnson^Susanna^J^III^^^^^^ ^^MD 1830 Sunshine Drive^^Beautiful City^HerState^86534-1111^^H                9876546688^^MRN

Form Data Element < V1 X.7>	Form Data Element Name	Segment and Location within the Segment	Example
MMNAME	Mother's Current Legal Name: Middle Name	NK1-2	NK1 1 Johnson^Susanna^J^III^^^^^^ ^^MD 1830 Sunshine Drive^^Beautiful City^HerState^86534- 1111^^H                    9876546688^^ ^^MRN
MLNAME	Mother's Current Legal Name: Last Name	NK1-2	NK1 1 Johnson^Susanna^J^III^^^^^^ ^^MD 1830 Sunshine Drive^^Beautiful City^HerState^86534- 1111^^H                    9876546688^^ ^^MRN
MSUFF	Mother's Current Legal Name: suffix	NK1-2	NK1 1 Johnson^Susanna^J^III^^^^^^ ^^MD 1830 Sunshine Drive^^Beautiful City^HerState^86534- 1111^^H                    9876546688^^ ^^MRN
HFT	Mother's Height: Feet	OBX-2 SHALL contain NM OBX-3 SHALL contain 3137-7^Body height OBX-5 SHALL contain the Mother's Height in Inches OBX-6 SHALL indicate grams using UCUM units: SHALL contain ft	OBX 9 NM 73776-7^Body height^LN  6 ft
HIN	Mother's Height: Inches	OBX-2 SHALL contain NM OBX-3 SHALL contain 3137-7^Body height OBX-5 SHALL contain the Mother's Height in Inches OBX-6 SHALL indicate grams using UCUM units: SHALL contain in	OBX 9 NM 73776-7^Body height^LN  58 in

Form Data Element < V1 X.7>	Form Data Element Name	Segment and Location within the Segment	Example
MRECNUM	Mother's medical record number	NK1-33	NK1 1 Johnson^Susanna^J^III^^^^^^ ^^MD 1830 Sunshine Drive^^Beautiful City^HerState^86534-1111^^H                9876546688^^ ^^MRN
PWGT	Mother's pre-pregnancy weight	OBX-2 SHALL contain NM OBX-3 SHALL contain 56077-1^Body weight ^ pre current pregnancy OBX-5 SHALL contain the mother's weight before becoming pregnant OBX-6 SHALL indicate pounds using UCUM units: SHALL contain lb	OBX 10 NM 56077_1^Body weight- pre current pregnancy^LN  94lb
NFACL	Mother: If Mother transferred for maternal medical or fetal indications for delivery, enter name of facility mother transferred from.	PV1-6	PV1  I  ^Simple Birth Clinic       PI
TRAN	Mother transferred for maternal medical or fetal indications for delivery?	OBX-2 SHALL contain CE OBX-3 SHALL contain 73763-5^ Mother was transferred for maternal medical or fetal indications for delivery OBX-5 SHALL contain boolean indication of whether a trial of labor was attempted using HL7 0532 Expanded yes/no indicator (NCHS) when the final route and method of delivery is a cesarean.)	OBX 4 CE 73763-5^Mother transferred for maternal medical or fetal indications for delivery?^LN  N^No^HL70532     F

Form Data Element < V1 X.7>	Form Data Element Name	Segment and Location within the Segment	Example
DWGT	Mother's weight at delivery	OBX-2 SHALL contain NM OBX-3 SHALL contain 69461-2^ Body weight at delivery OBX-5 SHALL contain the mother's weight at the time of delivery OBX-6 SHALL indicate pounds using UCUM units: SHALL contain lb	OBX 10 NM 69461-2^ Body weight at delivery^LN  124lb
POPO	Number of other pregnancy outcomes	OBX-2 SHALL contain NM OBX-3 SHALL contain 69043-8^Other pregnancy outcomes OBX-5 SHALL contain the total number of other pregnancy outcomes that did not result in a live birth. Includes pregnancy losses of any gestation age. For multiple deliveries include all previous pregnancy losses before this infant in this pregnancy and in previous pregnancies.	OBX 15 NM 69043-8^Other pregnancy outcomes  1
PLBD	Number of previous live births now dead (do not include this child)	OBX-2 SHALL contain NM OBX-3 SHALL contain 68496-9^Live births.now dead OBX-5 SHALL contain the total number of previous live-born infants now dead. For multiple deliveries include all live-born infants before this infant in the pregnancy who are now dead. If the first born, do not include this infant	OBX 15 NM 68496-9^Live births.now dead  1
PLBL	Number of previous live births now living (do not include this child)	OBX-2 SHALL contain NM OBX-3 SHALL contain 11638-4^Births.still living OBX-5 SHALL contain the total number of previous live-born infants now living. For multiple deliveries include all live-born infants before this infant in the pregnancy. If the first born, do not include this infant.	OBX 12 NM 11638-4^Births.still living^LN  2

Form Data Element < V1 X.7>	Form Data Element Name	Segment and Location within the Segment	Example
OWGEST	Obstetric Estimate of Gestation	OBX-2 SHALL contain NM OBX-3 SHALL contain 11884-4^Obstetric estimate of gestation OBX-5 SHALL contain the best obstetric estimate of the infant’s gestation in completed weeks based on the birth attendant’s final estimate of gestation. This estimate of gestation should be determined by all perinatal factors and assessments such as ultrasound, but not the neonatal exam. Ultrasound taken early in pregnancy is preferred. Do not complete solely based on the infant’s date of birth and the mothers date of last menstrual period.	OBX 25 NM 11884-4^Obstetric estimate of gestation^LN  39 wk
CERV	Obstetric procedures: Cervical cerclage	OBX-2 SHALL contain CNE OBX-3 SHALL contain 73814-6^Obstetric procedures performed OBX-5 SHALL contain 265636007^Cerclage of cervix (procedure)	OBX 21 CNE 73814-6^Obstetric procedures^LN  265636007^Cerclage of cervix (procedure)^SNM     F
ECVF	Obstetric procedures: Failed External cephalic Version	OBX-2 SHALL contain CNE OBX-3 SHALL contain 73814-6^Obstetric procedures performed OBX-5 SHALL contain 240278000^External cephalic version (procedure) AND OBX-2 SHALL contain CNE OBX-3 SHALL contain 73820-3^Successful external cephalic version OBX-5 SHALL contain boolean indication (No)	OBX 21 CNE 73814-6^Obstetric procedures^LN  240278000^ External cephalic version (procedure)^SNM     F OBX 21 CNE 73820-3^Successful external cephalic version ^LN  N^No^HL70532     F

Form Data Element < V1 X.7>	Form Data Element Name	Segment and Location within the Segment	Example
ECVS	Obstetric procedures: Successful External cephalic version	OBX-2 SHALL contain CNE OBX-3 SHALL contain 73814-6^Obstetric procedures performed OBX-5 SHALL contain 240278000^External cephalic version (procedure) AND OBX-2 SHALL contain CNE OBX-3 SHALL contain 73820-3^Successful external cephalic version OBX-5 SHALL contain boolean indication (Yes)	OBX 21 CNE 73814-6^Obstetric procedures^LN  240278000^ External cephalic version (procedure)^SNM     F OBX 21 CNE 73820-3^Successful external cephalic version ^LN  Y^Yes^HL70532     F
TOC	Obstetric procedures: Tocolysis	OBX-2 SHALL contain CNE OBX-3 SHALL contain 73814-6^Obstetric procedures performed OBX-5 SHALL contain 103747003^Tocolysis (procedure)	OBX 21 CNE 73814-6^Obstetric procedures^LN  103747003^Tocolysis (procedure)^SNM     F
NOA03	Obstetric procedures: None of the above	OBX-2 SHALL contain CNE OBX-3 SHALL contain 73814-6^Obstetric procedures performed OBX-5 SHALL contain 260413007^None (qualifier value)	OBX 21 CE 73814-6^Obstetric procedures^LN  260413007^None (qualifier value)^SNM     F
PROM	Onset of labor: Premature Rupture	OBX-2 SHALL contain CNE OBX-3 SHALL contain 73774-2^ Onset of labor OBX-5 SHALL contain 44223004^Premature Rupture of membranes (disorder)	OBX 22 CE 73774-2^Onset of labor  44223004^Premature Rupture of membranes (disorder)^SNM     F
PRIC	Onset of labor: Precipitous Labor	OBX-2 SHALL contain CNE OBX-3 SHALL contain 73774-2^ Onset of labor OBX-5 SHALL contain 51920004^Precipitate labor (disorder)	OBX 22 CE 73774-2^Onset of labor  51920004^Precipitate labor (disorder)^SNM     F

Form Data Element < V1 X.7>	Form Data Element Name	Segment and Location within the Segment	Example
PROL	Onset of labor: Prolonged Labor	OBX-2 SHALL contain CNE OBX-3 SHALL contain 73774-2^ Onset of labor OBX-5 SHALL contain 53443007^Prolonged labor (disorder)	OBX 22 CE 73774-2^Onset of labor 53443007^Prolonged labor (disorder)^SNM     F
NOA05	Onset of labor: None of the above NOTE: NOA05 is also used for Maternal Morbidity	OBX-2 SHALL contain CNE OBX-3 SHALL contain 73774-2^ Onset of labor OBX-5 SHALL contain 260413007^None (qualifier value)	OBX 22 CNE 73774-2^Onset of labor 53443007^260413007^None (qualifier value)^SNM     F
SFN	Place where birth occurred: State Facility Number	ROL-11	ROL  AD FAC Good Health Hospital     300 Main St^^Metropolis^Rhode Island^03443^B
FLOC	Place where birth occurred: Facility City/Town	ROL-11	ROL  AD FAC Good Health Hospital     300 Main St^^Metropolis^Rhode Island^03443^B
CNAME	Place where birth occurred: County Name	ROL-11	ROL  AD FAC Good Health Hospital     300 Main St^^Metropolis^Rhode Island^03443^B
CNTYO	Place where birth occurred: County Code	ROL-11	ROL  AD FAC Good Health Hospital     300 Main St^^Metropolis^Rhode Island^03443^B
BPLACE	Place where birth occurred: Birth Place: Hospital	PID-11 (for address if not in facility); If in Facility: OBX-2 SHALL contain CNE OBX-3 SHALL contain 73766-8^Place where birth occurred OBX-5 SHALL contain 22232009^Hospital	OBX 1 CE 73766-8^Birth/delivery location type^LN 22232009^Hospital^SNM     F

Form Data Element < V1 X.7>	Form Data Element Name	Segment and Location within the Segment	Example
BPLACE	Place where birth occurred: Birth Place: Clinic/Doctor's Office	PID-11 (for address if not in facility); If in Facility: OBX-2 SHALL contain CNE OBX-3 SHALL contain 73766-8^Place where birth occurred OBX-5 SHALL contain 67190003^Free-standing clinic	OBX 1 CNE 73766-8^Birth/delivery location type^LN  67190003^Free-standing clinic ^SNM     F
BPLACE	Place where birth occurred: Birth Place: Freestanding Birth Center	PID-11 (for address if not in facility); If in Facility: OBX-2 SHALL contain CNE OBX-3 SHALL contain 73766-8^Place where birth occurred OBX-5 SHALL contain 91154008^Free-standing birthing center	OBX 1 CNE 73766-8^Birth/delivery location type^LN  91154008^Free-standing birthing center ^SNM     F
BPLACE	Place where birth occurred: Birth Place: Home Birth	PID-11 (for address if not in facility); If in Facility: OBX-2 SHALL contain CNE OBX-3 SHALL contain 73766-8^Place where birth occurred OBX-5 SHALL contain 169813005^Home birth	OBX 1 CNE 73766-8^Birth/delivery location type^LN  169813005^Home birth^SNM     F
BPLACE	Place where birth occurred: Birth Place: Other category	PID-11 (for address if not in facility); If in Facility: OBX-2 SHALL contain CNE OBX-3 SHALL contain 73766-8^Place where birth occurred OBX-5 SHALL contain 394841004^Other category	OBX 1 CNE 73766-8^Birth/delivery location type^LN  394841004^Other category^SNM     F



Form Data Element < V1 X.7>	Form Data Element Name	Segment and Location within the Segment	Example
BPLACE	Place where birth occurred: Birth Place: Unknown	PID-11 (for address if not in facility); If in Facility: OBX-2 SHALL contain CNE OBX-3 SHALL contain 73766-8^Place where birth occurred OBX-5 SHALL contain 261665006^Unknown	OBX 1 CNE 73766-8^Birth/delivery location type^LN  261665006^Unknown^SNM     F
PLUR	Plurality	OBX-2 SHALL contain NM OBX-3 SHALL contain 57722-1^Birth plurality OBX-5 SHALL contain the number of fetuses delivered live or dead at any time in the pregnancy regardless of gestational age or if the fetuses were delivered at different dates in the pregnancy	OBX 30 NM 57722-1^Birth plurality^LN  1
DOFP_MO	Prenatal care visits: Date of first prenatal care visit: Month	OBX-2 SHALL contain TS OBX-3 SHALL contain 69044-6^Date first prenatal visit OBX-5 SHALL contain the date a physician or other health care professional first examined and/or counseled the pregnant woman for the pregnancy.	OBX 5 TS 69044-6^Date first prenatal visit^LN  20100528     F
DOFP_DY	Date of first prenatal care visit: Day	OBX-2 SHALL contain TS OBX-3 SHALL contain 69044-6^Date first prenatal visit OBX-5 SHALL contain the date a physician or other health care professional first examined and/or counseled the pregnant woman for the pregnancy.	OBX 5 TS 69044-6^Date first prenatal visit^LN  20100528     F
DOFP_YR	Date of first prenatal care visit: Year	OBX-2 SHALL contain TS OBX-3 SHALL contain 69044-6^Date first prenatal visit OBX-5 SHALL contain the date a physician or other health care professional first examined and/or counseled the pregnant woman for the pregnancy.	OBX 5 TS 69044-6^Date first prenatal visit^LN  20100528     F

Form Data Element < V1 X.7>	Form Data Element Name	Segment and Location within the Segment	Example
NPREV	Prenatal care visits: Total number of prenatal visits for this pregnancy	OBX-2 SHALL contain TS OBX-3 SHALL contain 68493-6^ Prenatal visits for this pregnancy OBX-5 SHALL contain the total number of visits recorded in the record.	OBX 8 NM 68493-6^Prenatal visits for this pregnancy^LN  10
PAY	Principal source of payment for this delivery	PV1-20 SHALL contain PAY using the HL7 Table 0064 – Financial Class value set	PV1  I  ^Simple Birth Clinic       55
PDIAB	Risk factors in this pregnancy: Prepregnancy Diabetes	OBX-2 SHALL contain CNE OBX-3 SHALL contain 73775-9^Risk Factors in this Pregnancy OBX-5 SHALL contain 73211009^Diabetes mellitus (disorder)	OBX 17 CNE 73775-9^Risk factors in this pregnancy^LN  73211009^Diabetes mellitus (disorder)^SNM     F
GDIAB	Risk factors in this pregnancy: Gestational Diabetes	OBX-2 SHALL contain CNE OBX-3 SHALL contain 73775-9^Risk Factors in this Pregnancy OBX-5 SHALL contain 11687002^Gestational diabetes mellitus (disorder)	OBX 17 CNE 11687002^Gestational diabetes mellitus (disorder)^LN  73211009^Diabetes mellitus (disorder)^SNM     F
PHYPE	Risk factors in this pregnancy: Prepregnancy Hypertension	OBX-2 SHALL contain CNE OBX-3 SHALL contain 73775-9^Risk Factors in this Pregnancy OBX-5 SHALL contain 38341003^Hypertensive disorder, systemic arterial (disorder)	OBX 17 CNE 11687002^Gestational diabetes mellitus (disorder)^LN  38341003^Hypertensive disorder, systemic arterial (disorder)^SNM     F
GHYPE	Risk factors in this pregnancy: Gestational Hypertension	OBX-2 SHALL contain CNE OBX-3 SHALL contain 73775-9^Risk Factors in this Pregnancy OBX-5 SHALL contain 48194001^Pregnancy-induced hypertension (disorder)	OBX 17 CNE 73775-9^Risk factors in this pregnancy^LN  48194001^Pregnancy-induced hypertension (disorder)^SNM     F

Form Data Element < V1 X.7>	Form Data Element Name	Segment and Location within the Segment	Example
EHYPE	Risk factors in this pregnancy: Eclampsia	OBX-2 SHALL contain CNE OBX-3 SHALL contain 73775-9^Risk Factors in this Pregnancy OBX-5 SHALL contain 15938005^Eclampsia (disorder)	OBX 17 CNE 73775-9^Risk factors in this pregnancy^LN  15938005^Eclampsia (disorder)^SNM     F
PPB	Risk factors in this pregnancy: Previous preterm births	OBX-2 SHALL contain CNE OBX-3 SHALL contain 73775-9^Risk Factors in this Pregnancy OBX-5 SHALL contain 161765003^History of - premature delivery (situation)	OBX 17 CNE 73775-9^Risk factors in this pregnancy^LN  161765003^History of - premature delivery (situation)^SNM     F
INFT	Risk factors in this pregnancy: Infertility treatment	OBX-2 SHALL contain CNE OBX-3 SHALL contain 73775-9^Risk Factors in this Pregnancy OBX-5 SHALL contain 65046005^ Infertility Therapy (procedure)	OBX 18 CNE 73775-9^Risk factors in this pregnancy^LN  65046005^ Infertility Therapy (procedure)^SDM     F
INFT_DR G	Risk factors in this pregnancy: Infertility: Fertility Enhancing Drugs, AI	OBX-2 SHALL contain CNE OBX-3 SHALL contain 73775-9^Risk Factors in this Pregnancy OBX-5 SHALL contain 58533008^Artificial insemination (procedure)	OBX 19 CNE 73775-9^Risk factors in this pregnancy^LN  58533008^Artificial insemination (procedure)^SNM     F
INFT_AR T	Risk factors in this pregnancy: Infertility: Asst. Rep. Technology	OBX-2 SHALL contain CNE OBX-3 SHALL contain 73775-9^Risk Factors in this Pregnancy OBX-5 SHALL contain 63487001^Assisted fertilization (procedure)	OBX 19 CNE 73775-9^Risk factors in this pregnancy^LN  63487001^Assisted fertilization (procedure)^SNM     F
PCES	Risk factors in this pregnancy: Previous cesarean	OBX-2 SHALL contain CNE OBX-3 SHALL contain 73775-9^Risk Factors in this Pregnancy OBX-5 SHALL contain 200144004^Deliveries by cesarean (finding)	OBX 19 CNE 73775-9^Risk factors in this pregnancy^LN  200144004^Deliveries by cesarean (finding)^SNM     F

Form Data Element < V1 X.7>	Form Data Element Name	Segment and Location within the Segment	Example
NPCES	Risk factors in this pregnancy: Number of previous cesareans	OBX-2 SHALL contain NM OBX-3 SHALL contain 68497-7^Previous cesarean deliveries OBX-5 SHALL contain The number of previous cesarean deliveries	OBX 8 NM 68497-7^Previous cesarean deliveries^LN  1
NOA01	Risk factors in this pregnancy: None of the above	OBX-2 SHALL contain CNE OBX-3 SHALL contain 73775-9^Risk Factors in this Pregnancy OBX-5 SHALL contain 260413007^None (qualifier value)	OBX 19 CNE 73775-9^Risk factors in this pregnancy^LN  260413007^None (qualifier value)^SNM     F
SORD	Set Order	PID-25	PID 1  987645432^^^^MRN  ~^^^^^^ U  201105302349 M         N
FSEX	Child: (infant) Sex -	PID-8	PID 1  987645432^^^^MRN  ~^^^^^^ U  201105302349 M         N
FDOD_YR		PID-7	PID 1  987645432^^^^MRN  ~^^^^^^ U  201105302349 M         N
FDOD_MO		PID-7	PID 1  987645432^^^^MRN  ~^^^^^^ U  201105302349 M         N
FDOD_DY		PID-7	PID 1  987645432^^^^MRN  ~^^^^^^ U  201105302349 M         N
ETIME	Estimated Time of Fetal Death	OBX-2 SHALL contain CE OBX-3 SHALL contain 73811-2^Estimated time of fetal death OBX-5 SHALL contain a value selected from value the set Fetal Death Time Points (NCHS) <a href="https://phinvads.cdc.gov/vads/ViewValueSet.action?oid=2.16.840.1.114222.4.11.7112">https://phinvads.cdc.gov/vads/ViewValueSet.action?oid=2.16.840.1.114222.4.11.7112</a>	OBX 19 CE 73811-2^Estimated time of fetal death ^LN  58533008^Artificial insemination (procedure)^SNM     F

Form Data Element < V1 X.7>	Form Data Element Name	Segment and Location within the Segment	Example
LIVEB	Not single birth - specify number of infants in this delivery born alive.	OBX-2 SHALL contain NM OBX-3 SHALL contain 73773-4^Number of infants in this delivery born alive OBX-5 SHALL specify the number of live born in this delivery	OBX 8 NM 73773-4^Number of infants in this delivery born alive ^LN  1
FDTH	Number of fetal deaths	OBX-2 SHALL contain NM OBX-3 SHALL contain 73772-6^ Number of fetal deaths delivered OBX-5 SHALL specify the number of fetal deaths in this delivery	OBX 8 NM 73772-6^ Number of fetal deaths delivered^LN  1
HYST	Method of Delivery: Hysterotomy/Hysterectomy?	OBX-2 SHALL contain CE OBX-3 SHALL contain 73759-3^ Hysterotomy or hysterectomy was performed at delivery OBX-5 SHALL contain boolean indication (Yes/No/Unknown/Not Applicable) of whether a hysterotomy or hysterectomy was performed using HL7 0532 Expanded yes/no indicator (NCHS)	OBX 21 CE 73759-3^ Hysterotomy or hysterectomy was performed at delivery^LN   N^No^HL70532     F
TD	Time of delivery	PID-7	
AUTOP	Was an autopsy performed?	OBX-2 SHALL contain CE OBX-3 SHALL contain 73768-4^Autopsy was performed OBX-5 SHALL contain a value selected from value the set Autopsy Examination (NCHS) <a href="https://phinvads.cdc.gov/vads/ViewValueSet.action?oid=2.16.840.1.114222.4.11.7137">https://phinvads.cdc.gov/vads/ViewValueSet.action?oid=2.16.840.1.114222.4.11.7137</a>	OBX 19 CE 73768-4^Autopsy was performed ^LN  4455100009109^ Autopsy not performed ^SNM     F

Form Data Element < V1 X.7>	Form Data Element Name	Segment and Location within the Segment	Example
FWO	Weight of Fetus (in ounces)	OBX-2 SHALL contain NM OBX-3 SHALL contain 8339-4 ^Weight at delivery OBX-5 SHALL contain the birthweight in Grams converted from Ounces OBX-6 SHALL indicate ounces using UCUM units: SHALL contain oz NOTE: it is preferred to send in grams (see FWG)	OBX 24 NM 8339-4 ^ Body weight at birth ^LN  1200 oz
FWG	Weight of Fetus (grams preferred, specify unit)	OBX-2 SHALL contain NM OBX-3 SHALL contain 8339-4 ^Weight at delivery OBX-5 SHALL contain the birthweight in Grams OBX-6 SHALL indicate grams using UCUM units: SHALL contain gm	OBX 24 NM 8339-4 ^ Body weight at birth ^LN  1200 gm
FWP	Weight of Fetus (in pounds)	OBX-2 SHALL contain NM OBX-3 SHALL contain 8339-4 ^Weight at delivery OBX-5 SHALL contain the birthweight in Grams converted from Pounds OBX-6 SHALL indicate pounds using UCUM units: SHALL contain lb NOTE: it is preferred to send in grams (see FWG)	OBX 24 NM 8339-4 ^ Body weight at birth ^LN  1200 lb
LM	Infections present and treated during this pregnancy: Listeria	OBX-2 SHALL contain CNE OBX-3 SHALL contain 73769-2^ Infections present and treated during the pregnancy for fetal death OBX-5 SHALL contain 4241002^ Listeriosis (disorder)	OBX 19 CNE 73769-2^Infections present treated during the pregnancy for fetal death^LN  4241002^ Listeriosis (disorder)^SNM      F
GBS	Infections present and treated during this pregnancy: Group B Streptococcus	OBX-2 SHALL contain CNE OBX-3 SHALL contain 73769-2^ Infections present and treated during the pregnancy for fetal death OBX-5 SHALL contain 426933007^Streptococcus agalactiae infection (disorder)	OBX 19 CNE 73769-2^Infections present treated during the pregnancy for fetal death^LN  426933007^Streptococcus agalactiae infection (disorder)^SNM      F

Form Data Element < V1 X.7>	Form Data Element Name	Segment and Location within the Segment	Example
CMV	Infections present and treated during this pregnancy: Cytomegalovirus	OBX-2 SHALL contain CNE OBX-3 SHALL contain 73769-2^ Infections present and treated during the pregnancy for fetal death OBX-5 SHALL contain 28944009^Cytomegalovirus infection (disorder)	OBX 19 CNE 73769-2^Infections present treated during the pregnancy for fetal death^LN  28944009^Cytomegalovirus infection (disorder)^SNM      F
B19	Infections present and treated during this pregnancy: Parvovirus	OBX-2 SHALL contain CNE OBX-3 SHALL contain 73769-2^ Infections present and treated during the pregnancy for fetal death OBX-5 SHALL contain 186748004^Parvovirus	OBX 19 CNE 73769-2^Infections present treated during the pregnancy for fetal death^LN  186748004^Parvovirus^SNM      F
HISTOP	Was a Histological Placental Examination performed?	OBX-2 SHALL contain CE OBX-3 SHALL contain 73767-6^Histological placental examination was performed OBX-5 SHALL contain a value selected from value the set Histological Placental Examination (NCHS) <a href="https://phinvads.cdc.gov/vads/ViewValueSet.action?oid=2.16.840.1.114222.4.11.7138">https://phinvads.cdc.gov/vads/ViewValueSet.action?oid=2.16.840.1.114222.4.11.7138</a>	OBX 19 CE 73767-6^Histological placental examination was performed^LN  262008008^ Not Performed^SNM      F
TOXO	Infections present and treated during this pregnancy: Toxoplasmosis	OBX-2 SHALL contain CNE OBX-3 SHALL contain 73769-2^ Infections present and treated during the pregnancy for fetal death OBX-5 SHALL contain 187192000^ Toxoplasmosis (disorder)	OBX 19 CNE 73769-2^Infections present treated during the pregnancy for fetal death^LN  187192000^ Toxoplasmosis (disorder)^SNM      F

5560

# Appendices

## Appendix A – BFDR Birth CDA Document Quick Reference

5565

This table provides a reference showing the section structure of the BFDR Birth CDA Document and the BFDR Fetal Death CDA Documents, the templateId's which each sections conforms to, and the LOINC code used to identify the data in that section. The reference also show the types of entry templates used to encode data found in each section.

### A.1 BFDR Birth CDA Document and BFDR Fetal Death CDA Document Template and LOINC Code Quick Reference

Birth/ FD Use	Section Reference #	BFDR	TemplateId	LOINC	Type
Birth		Document	2.16.840.1.113883.10.20.26.1	68998-4	
FD		Document	2.16.840.1.113883.10.20.26.1	68998-4	Document
			Note: this document does not use the General Header Template for C-CDA		
		<b>Header</b>			
Both		recordTarget	2.16.840.1.113883.10.20.26.1	n/a	
Both		Author	2.16.840.1.113883.10.20.26.1	n/a	
Both		Custodian	2.16.840.1.113883.10.20.26.1	n/a	
		<b>Section and sub-section Specification</b>			
Both	1	Prenatal Testing and Surveillance Section	2.16.840.1.113883.10.20.26.3	57078-8	
Both		<i>Prenatal Care</i>	2.16.840.1.113883.10.20.26.42	73776-7	<i>Entry</i>
Both	2	Prior Pregnancy History Section	2.16.840.1.113883.10.20.26.12	57073-9	



IHE Quality, Research and Public Health Technical Framework Supplement – Birth and Fetal Death Reporting-Enhanced (BFDR-E)

Birth/ FD Use	Section Reference #	BFDR	TemplateId	LOINC	Type
Both		<i>Date of Last Live Birth</i>	2.16.840.1.113883.10.20.26.20	68499-3	<i>Entry</i>
Both		<i>Last Menstrual Period Date</i>	2.16.840.1.113883.10.20.26.33	8665-2	<i>Entry</i>
Both		<i>Number of Births Now Living</i>	2.16.840.1.113883.10.20.26.36	11638-4	<i>Entry</i>
Both		<i>Number of Live Births Now Dead</i>	2.16.840.1.113883.10.20.26.38	68496-9	<i>Entry</i>
Both		<i>Other Pregnancy Outcome</i>	2.16.840.1.113883.10.20.26.40	69043-8	<i>Entry</i>
Both		<i>Estimate of Gestation</i>	2.16.840.1.113883.10.20.26.21	11884-4	<i>Entry</i>
Birth	3	History of Infection - Live Birth Section	2.16.840.1.113883.10.20.26.5	71459-2	Section
Birth		<i>Infection Present: Live Birth</i>	2.16.840.1.113883.10.20.26.30	72519-2	<i>Entry</i>
FD	3	History of Infection: Fetal Death Section	2.16.840.1.113883.10.20.26.48	71459-2	Section
FD		<i>Infection Present: Fetal Death</i>	2.16.840.1.113883.10.20.26.49	73769-2	<i>Entry</i>
	4	Labor and Delivery Section	2.16.840.1.113883.10.20.26.8	34079-4	Section
Both		<i>Onset of Labor</i>	2.16.840.1.113883.10.20.26.32	73774-2	<i>Entry</i>
Both		<i>Labor and Delivery Process</i>	2.16.840.1.113883.10.20.26.31	57074-7	<i>Entry</i>
Both		<i>Planned Home Birth</i>	2.16.840.1.113883.10.20.26.26	73765-0	<i>Entry Relationship</i>
Both		<i>Maternal Transfer</i>	2.16.840.1.113883.10.20.26.35	73763-5	<i>Entry Relationship</i>
Both		<i>Characteristic of Labor and Delivery</i>	2.16.840.1.113883.10.20.26.18	73813-8	<i>Entry Relationship</i>
Both		<i>Maternal Morbidity</i>	2.16.840.1.113883.10.20.26.34	73781-7	<i>Entry Relationship</i>
Both		<i>Pregnancy Risk Factor</i>	2.16.840.1.113883.10.20.26.44	73775-9	<i>Entry Relationship</i>
Both	4.1	Labor and Delivery Procedure Section	2.16.840.1.113883.10.20.26.7	29300-1	Sub-Section
Both		<i>Obstetric Procedure</i>	2.16.840.1.113883.10.20.26.39		<i>Entry</i>

IHE Quality, Research and Public Health Technical Framework Supplement – Birth and Fetal Death Reporting-Enhanced (BFDR-E)

Birth/ FD Use	Section Reference #	BFDR	TemplateId	LOINC	Type
Both		<i>Method of Delivery</i>	2.16.840.1.113883.10.20.26.45		<i>Entry</i>
Both	4.1	Mothers Vital Signs Section	2.16.840.1.113883.10.20.26.9	8716-3	Sub-Section
Both		<i>Mothers Vital Signs Observation</i>	2.16.840.1.113883.10.20.26.46		<i>Entry</i>
Birth	5	Newborn Delivery Section	2.16.840.1.113883.10.20.26.10	57075-4	Section
Birth		Plurality	2.16.840.1.113883.10.20.26.41	57722-1	<i>Entry</i>
Birth		Birth Order	2.16.840.1.113883.10.20.26.16	73771-8	<i>Entry</i>
Birth		Number of Infants Born Alive	2.16.840.1.113883.10.20.26.37	73773-4	<i>Entry</i>
Birth		Abnormal Conditions of the Newborn	2.16.840.1.113883.10.20.26.13	73812-0	<i>Entry</i>
Birth		Congenital Anomaly	2.16.840.1.113883.10.20.26.19	73780-9	<i>Entry</i>
Birth		Infant Transfer	2.16.840.1.113883.10.20.26.29	73758-5	<i>Entry</i>
Birth		Infant Living	2.16.840.1.113883.10.20.26.28	73757-7	<i>Entry</i>
Birth		Infant Breastfed	2.16.840.1.113883.10.20.26.27	73756-9	<i>Entry</i>
Birth	5.1	Newborns Vital Signs Section	2.16.840.1.113883.10.20.26.11	8716-3	Sub-Section
Birth	5.2	Assessments Section	2.16.840.1.113883.10.20.26.9	51848-0	Sub-Section
FD	5	Fetal Delivery Section	2.16.840.1.113883.10.20.26.4	MISSING LOINC	Section
FD		<i>Plurality</i>	2.16.840.1.113883.10.20.26.41	57722-1	<i>Entry</i>
FD		<i>Birth Order</i>	2.16.840.1.113883.10.20.26.16	73771-8	<i>Entry</i>
FD		<i>Number of Infants Born Alive</i>	2.16.840.1.113883.10.20.26.37	73773-4	<i>Entry</i>
FD		<i>Autopsy Performance</i>	2.16.840.1.113883.10.20.26.15	73768-4	<i>Entry</i>
FD		<i>Fetal Death Occurrence</i>	2.16.840.1.113883.10.20.26.22	73811-2	<i>Entry</i>
FD		<i>Congenital Anomaly</i>	2.16.840.1.113883.10.20.26.19	73780-9	<i>Entry</i>

Birth/ FD Use	Section Reference #	BFDR	TemplateId	LOINC	Type
FD		<i>Fetal Delivery Time</i>	2.16.840.1.113883.10.20.26.23	11778-8	<i>Entry</i>

5570

## Appendix B – LDS-VR Document Quick Reference

### B.1 LDS-VR Document Template and LOINC Code Quick Reference

This table provides a reference showing the section structure of the LDS-VR document, the templateId’s which each sections conforms to, and the LOINC code used to identify the data in that section. The reference also show the types of entry templates used to encode data found in each section.

5575

Section Reference #	LDS-VR	TemplateId	LOINC	Type
	Document	1.3.6.1.4.1.19376.1.7.3.1.1.19.1.1	57057-2	Document
	<b>Header Specifications</b>			
	documentationOf/EncompassingEncounter	2.16.840.1.113883.10.20.1.21	n/a	Header
	<b>Section and sub-section Specifications</b>			
1	Hospital Admission Diagnosis	1.3.6.1.4.1.19376.1.5.3.1.3.3	46241-6	Section
	<i>Problem Concern</i>	<i>1.3.6.1.4.1.19376.1.5.3.1.4.5.2</i>		<i>Entry</i>
	<i>Problem Observation</i>	<i>1.3.6.1.4.1.19376.1.5.3.1.4.5</i>		<i>Entry</i>
2	Admission Medication History	1.3.6.1.4.1.19376.1.5.3.1.3.20	42346-7	Section
	<i>Medications</i>			<i>Entry</i>
3	Chief Complaint	1.3.6.1.4.1.19376.1.5.3.1.1.13.2.1	10154-3	Section
	<i>No entries defined</i>			<i>Entry</i>
4	Transport Mode	1.3.6.1.4.1.19376.1.5.3.1.1.10.3.2	11459-5	Section

IHE Quality, Research and Public Health Technical Framework Supplement – Birth and Fetal Death Reporting-Enhanced (BFDR-E)

Section Reference #	LDS-VR	TemplateId	LOINC	Type
	<i>Transport (act)</i>	<i>1.3.6.1.4.1.19376.1.5.3.1.1.10.4.1</i>		<i>Entry</i>
5	Assessment and Plan	1.3.6.1.4.1.19376.1.5.3.1.1.13.2.5	51847-2	Section
	<i>No Entries Defined</i>			<i>Entry</i>
6	Pain Assessment Panel	1.3.6.1.4.1.19376.1.5.3.1.1.20.2.4	38212-7	Section
	<i>No entries defined</i>			<i>Entry</i>
7	Coded Results	1.3.6.1.4.1.19376.1.5.3.1.3.28	30954-2	Section
	<i>Procedure Entry</i>	<i>1.3.6.1.4.1.19376.1.5.3.1.4.19</i>		<i>Entry</i>
	<i>References Entry</i>	<i>1.3.6.1.4.1.19376.1.5.3.1.4.4</i>		<i>Entry</i>
	<i>Simple Observation</i>	<i>1.3.6.1.4.1.19376.1.5.3.1.4.13</i>		<i>Entry</i>
8	Coded Antenatal Testing and Surveillance	1.3.6.1.4.1.19376.1.5.3.1.1.21.2.5.1	57078-8	Section
	<i>Antenatal Testing and Surveillance Battery</i>	<i>1.3.6.1.4.1.19376.1.5.3.1.1.21.3.10</i>		<i>Entry</i>
9	Coded History of Infection	1.3.6.1.4.1.19376.1.5.3.1.1.16.2.1.1.1	56838-6	Section
	<i>Problem Concern</i>	<i>1.3.6.1.4.1.19376.1.5.3.1.4.5.2</i>		<i>Entry</i>
	<i>Problem Observation</i>	<i>1.3.6.1.4.1.19376.1.5.3.1.4.5</i>		<i>Entry</i>
10	Pregnancy History	1.3.6.1.4.1.19376.1.5.3.1.1.5.3.4	10162-6	Section
	<i>Pregnancy History Organizer</i>	<i>1.3.6.1.4.1.19376.1.5.3.1.4.13.5.1</i>		<i>Entry</i>
	<i>Pregnancy Observation</i>	<i>1.3.6.1.4.1.19376.1.5.3.1.4.13.5</i>		<i>Entry</i>
11	History of Present Illness	1.3.6.1.4.1.19376.1.5.3.1.3.4	10164-2	Section
	<i>No Entries Defined</i>			<i>Entry</i>
12	History of Past Illness	1.3.6.1.4.1.19376.1.5.3.1.3.8	11348-0	Section
	<i>Problem Concern</i>	<i>1.3.6.1.4.1.19376.1.5.3.1.4.5.2</i>		<i>Entry</i>
	<i>Problem Observation</i>	<i>1.3.6.1.4.1.19376.1.5.3.1.4.13.5</i>		<i>Entry</i>
13	Active Problems	1.3.6.1.4.1.19376.1.5.3.1.3.6	11450-4	Section
	<i>Problem Concern</i>	<i>1.3.6.1.4.1.19376.1.5.3.1.4.5.2</i>		<i>Entry</i>
	<i>Problem Observation</i>	<i>1.3.6.1.4.1.19376.1.5.3.1.4.5</i>		<i>Entry</i>

Section Reference #	LDS-VR	TemplateId	LOINC	Type
14	Advance Directives	1.3.6.1.4.1.19376.1.5.3.1.3.34	42348-3	Section
	<i>No entries defined</i>			Entry
15	Birth Plan	1.3.6.1.4.1.19376.1.5.3.1.1.21.2.1	57079-6	Section
	<i>No entries defined</i>			Entry
16	Allergies and Other Adverse Reactions	1.3.6.1.4.1.19376.1.5.3.1.3.13	48765-2	Section
	<i>Allergy Concern</i>	1.3.6.1.4.1.19376.1.5.3.1.4.5.3		Entry
	<i>Allergy Intolerances Observation</i>	1.3.6.1.4.1.19376.1.5.3.1.4.6		Entry
17	Detailed Physical Examination	1.3.6.1.4.1.19376.1.5.3.1.1.9.15.1	29545-1	Section
	<i>No Entries Defined</i>			Entry
17.1	Coded Vital Signs	1.3.6.1.4.1.19376.1.5.3.1.1.5.3.2	8716-3	Section
	<i>Vital Signs Organizer</i>	1.3.6.1.4.1.19376.1.5.3.1.4.13.1		Entry
	<i>Vital Signs Observation</i>	1.3.6.1.4.1.19376.1.5.3.1.4.13.2		Entry
18	Estimated Delivery Dates	1.3.6.1.4.1.19376.1.5.3.1.1.11.2.2.1	57060-6	Section
	<i>Estimated Delivery Date Observation (a simple observation)</i>	1.3.6.1.4.1.19376.1.5.3.1.1.11.2.3.1		Entry
19	Medications Administered	1.3.6.1.4.1.19376.1.5.3.1.3.21	18610-6	Section
	<i>Medications</i>	1.3.6.1.4.1.19376.1.5.3.1.4.7		Entry
20	Intravenous Fluids Administered	1.3.6.1.4.1.19376.1.5.3.1.1.13.2.6	57072-1	Section
	<i>Intravenous Fluids (substanceAdministration)</i>	1.3.6.1.4.1.19376.1.5.3.1.1.13.3.2		Entry
21	Intake and Output	1.3.6.1.4.1.19376.1.5.3.1.1.20.2.3	XX-IntakeAndOutput	Section
	<i>No entries defined</i>			Entry
22	Estimated Blood Loss	1.3.6.1.4.1.19376.1.5.3.1.1.9.2	8717-1	Section
	<i>Simple Observation</i>	1.3.6.1.4.1.19376.1.5.3.1.4.13		Entry

Section Reference #	LDS-VR	TemplateId	LOINC	Type
23	History of Blood Transfusions	1.3.6.1.4.1.19376.1.5.3.1.1.9.12	56836-0	Section
	<i>No Entries Defined</i>			Entry
24	History of Surgical Procedures	1.3.6.1.4.1.19376.1.5.3.1.1.16.2.2	10167-5	Section
	<i>No Entries Defined</i>			Entry
25	Labor and Delivery Events	1.3.6.1.4.1.19376.1.5.3.1.1.21.2.3	57074-7	Section
	<i>No Entries Defined</i>			Entry
25.1	Procedures and Interventions	1.3.6.1.4.1.19376.1.5.3.1.1.13.2.11	10167-5	Section
	<i>Procedures</i>	1.3.6.1.4.1.19376.1.5.3.1.4.19		Entry
25.2	Coded Event Outcomes	1.3.6.1.4.1.19376.1.7.3.1.1.13.7	42545-4	Section
	<i>Patient Transfer (act)</i>	1.3.6.1.4.1.19376.1.5.3.1.1.25.1.4.1		Entry
	<i>Simple Observation</i>	1.3.6.1.4.1.19376.1.5.3.1.4.13		Entry
26	Newborn Delivery Information	1.3.6.1.4.1.19376.1.5.3.1.1.21.2.4	57075-4	Section
	<i>No Entries Defined</i>			Entry
26.1	Detailed Physical Examination	1.3.6.1.4.1.19376.1.5.3.1.1.9.15.1	29545-1	Section
	<i>No Entries Defined</i>			Entry
26.1.1	Coded Vital Signs	1.3.6.1.4.1.19376.1.5.3.1.1.5.3.2	8716-3	Section
	<i>Vital Signs Organizer</i>	1.3.6.1.4.1.19376.1.5.3.1.4.13.1		Entry
	<i>Vital Signs Observation</i>	1.3.6.1.4.1.19376.1.5.3.1.4.13.2		Entry
26.1.2	General Appearance	1.3.6.1.4.1.19376.1.5.3.1.1.9.16	10210-3	Section
	<i>Problem Observation</i>	1.3.6.1.4.1.19376.1.5.3.1.4.5		Entry
26.2	Active Problems	1.3.6.1.4.1.19376.1.5.3.1.3.6	11450-4	Section
	<i>Problem Concern</i>	1.3.6.1.4.1.19376.1.5.3.1.4.5.2		Entry
	<i>Problem Observation</i>	1.3.6.1.4.1.19376.1.5.3.1.4.5		Entry
26.3	Procedures and Interventions	1.3.6.1.4.1.19376.1.5.3.1.1.13.2.11	10167-5	Section
	<i>Procedure</i>	1.3.6.1.4.1.19376.1.5.3.1.4.19		Entry

Section Reference #	LDS-VR	TemplateId	LOINC	Type
26.4	Medications Administered	1.3.6.1.4.1.19376.1.5.3.1.3.21	18610-6	Section
	<i>Medications</i>	<i>1.3.6.1.4.1.19376.1.5.3.1.4.7</i>		<i>Entry</i>
26.5	Event Outcomes	1.3.6.1.4.1.19376.1.5.3.1.1.21.2.9	42545-4	Section
	<i>No entries defined.</i>			<i>Entry</i>
26.6	Coded Event Outcomes	1.3.6.1.4.1.19376.1.7.3.1.1.13.7	42545-4	Section
	<i>Patient Transfer</i>	<i>1.3.6.1.4.1.19376.1.5.3.1.1.25.1.4.1</i>		<i>Entry</i>
	<i>Simple Observation</i>	<i>1.3.6.1.4.1.19376.1.5.3.1.4.13</i>		<i>Entry</i>
26.7	Coded Results	1.3.6.1.4.1.19376.1.5.3.1.3.28	30954-2	Section
	<i>Procedure Entry</i>	<i>1.3.6.1.4.1.19376.1.5.3.1.4.19</i>		<i>Entry</i>
	<i>References Entry</i>	<i>1.3.6.1.4.1.19376.1.5.3.1.4.4</i>		<i>Entry</i>
	<i>Simple Observation</i>	<i>1.3.6.1.4.1.19376.1.5.3.1.4.13</i>		<i>Entry</i>
26.8	Intake and Output	1.3.6.1.4.1.19376.1.5.3.1.1.20.2.3	XX-IntakeAndOutput	Section
	<i>No entries defined</i>			<i>Entry</i>
27	Payers	1.3.6.1.4.1.19376.1.5.3.1.1.5.3.7	48768-6	Section
	<i>Coverage Entity</i>	<i>1.3.6.1.4.1.19376.1.5.3.1.4.17</i>		<i>Entry</i>

## Volume 3 Namespace Additions

*Add the following terms to the IHE Namespace:*

5580

*Add to section 5 Namespaces and Vocabularies*

<b>codeSystem</b>	<b>codeSystemName</b>	<b>Description</b>
1.3.6.1.4.1.19376.1.5.3.1	IHE PCC Template Identifiers	This is the root OID for all IHE PCC Templates. A list of PCC templates can be found below in CDA Release 2.0 Content Modules.
1.3.6.1.4.1.19376.1.7.3.1.1	IHE BFDR Template Identifiers	This is the root OID for all the IHE BFDR Templates.
1.3.6.1.4.1.19376.1.5.3.2	IHEActCode	See IHEActCode Vocabulary below
1.3.6.1.4.1.19376.1.5.3.3	IHE PCC RoleCode	See IHERoleCode Vocabulary below
1.3.6.1.4.1.19376.1.5.3.4		Namespace OID used for IHE Extensions to CDA Release 2.0
2.16.840.1.113883.10.20.1	CCD Root OID	Root OID used for by ASTM/HL7 Continuity of Care Document
2.16.840.1.113883.5.112	RouteOfAdministration	See the HL7 RouteOfAdministration Vocabulary
2.16.840.1.113883.5.1063	SeverityObservation	See the HL7 SeverityObservation Vocabulary
2.16.840.1.113883.1.11.12212	MaritalStatus	See the HL7 MaritalStatus Vocabulary
2.16.840.1.113883	ServiceDeliveryLocation	See the HL7 ServiceDeliveryLocation Vocabulary
2.16.840.1.113883.12.1	AdministrativeGender	See the HL7 AdministrativeGender Vocabulary
2.16.840.1.113883.5.111	Role	See the HL7 Role Vocabulary
2.16.840.1.113883.5.1077	EducationLevel	See the HL7 EducationLevel Vocabulary
2.16.840.1.113883.6.1	LOINC	Logical Observation Identifier Names and Codes
2.16.840.1.113883.6.96	SNOMED-CT	SNOMED Clinical Terms
2.16.840.1.113883.6.103	ICD-9CM (diagnosis codes)	International Classification of Diseases, Clinical Modifiers, Version 9
2.16.840.1.113883.6.104	ICD-9CM (procedure codes)	International Classification of Diseases, Clinical Modifiers, Version 9
2.16.840.1.113883.6.3	ICD10	International Classification of Diseases Revision 10 (ICD 10) Note this does NOT have the CM changes, and is specifically for international use.
2.16.840.1.113883.6.4	ICD-10-PCS	International Classification of Diseases, 10th Revision, Procedure Coding System
2.16.840.1.113883.6.90	ICD-10-CM	International Classification of Diseases, 10th Revision, Clinical Modification
2.16.840.1.113883.6.26	MEDCIN	A classification system from MEDICOMP Systems.
2.16.840.1.113883.6.88	RxNorm	RxNorm
2.16.840.1.113883.6.63	FDDC	First DataBank Drug Codes



IHE Quality, Research and Public Health Technical Framework Supplement – Birth and Fetal Death Reporting-Enhanced (BFDR-E)

<b>codeSystem</b>	<b>codeSystemName</b>	<b>Description</b>
2.16.840.1.113883.6.12	C4	Current Procedure Terminology 4 (CPT-4) codes.
2.16.840.1.113883.6.257	Minimum Data Set for Long Term Care	The root OID for Minimum Data Set Answer Lists
2.16.840.1.113883.2.8.1.1	CCAM	Classification Commune des Actes Medicaux
2.16.840.1.113883.6.21	NUBC	National Uniform Billing Codes (US)

*Add to section 5.1.1 IHE Format Codes*

5585

<b>Profile</b>	<b>Format Code</b>	<b>Media Type</b>	<b>Template ID</b>
Labor and Delivery Summary for Vital Records (VR) for Birth and Fetal Death Reporting (BFDR)	urn:ihe:qrph:BFDR:2011	Text/XML	1.3.6.1.4.1.19376.1.7.3.1.1.19.1.1
BFDR Birth CDA document	urn:ihe:qrph:BFDR-Birth:2014	Text/xml	1.3.6.1.4.1.19376.1.7.3.1.1.19.2
BFDR Fetal Death CDA document	urn:ihe:qrph:BFDR-FDeath:2014	Text/xml	1.3.6.1.4.1.19376.1.7.3.1.1.19.3

*Add to section 5.1.2 IHE ActCode Vocabulary*

No new ActCode Vocabulary

*Add to section 5.1.3 IHE RoleCode Vocabulary*

5590

No new RoleCode Vocabulary

## **Volume 4 – National Extensions**

*Add appropriate Country section*

## 4 National Extensions

### 4.1 National Extensions for IHE USA

#### 5595 4.1.1 Comment Submission

This national extension document was authored under the sponsorship and supervision of IHE QRPH with collaboration from the CDC/National Center for Health Statistics, who welcome comments on this document and the IHE USA initiative. Comments should be directed to:

[http://www.ihe.net/QRPH\\_Public\\_Comments](http://www.ihe.net/QRPH_Public_Comments)

#### 5600 4.1.2 Birth and Fetal Death Reporting – Extended (BFDR-E)

##### 4.1.2.1 BFDR US Forms Pre-population

5605 The U.S. Standard Certificate of Live Birth and the U.S. Standard Report of Fetal Death SHALL use derived elements to populate the processing variables as indicated in Table 6.6.1-1: Form Data Elements Data Mapped to Input Content Document Modules and as specified in the Birth Edit Specifications and the Fetal Death Edit Specifications for the 2003 Revisions of the U.S. Standard Certificate of Live Birth and the U.S. Standard Report of Fetal Death.

5610 Standard worksheets are used in the U.S. to enhance the collection of quality, reliable data for birth and fetal death events. A common, standard form, entitled “Mother’s Worksheet for Child’s Birth Certificate”, has been established to identify information to be collected directly from the mother. The “Facility Worksheet for the Live Birth Certificate” was developed to identify information for which the best sources are the mother’s and infant’s medical records.

5615 The U.S. currently limits the data that may be pre-populated from an EHR for birth and fetal death events to a subset of vital records’ medical/health data requirements, that is, primarily those items included in the U.S. Standard Facility Worksheet for the Live Birth Certificate and the U.S. Standard Facility Worksheet for the Report of Fetal Death. The initial goal will be to monitor and assess the quality of the data that will be exchanged between electronic health record and vital records systems and the quality of the process of information exchange. This profile will not describe the data items on the U.S. Standard Mothers Worksheet for the Child’s Birth Certificate (excepting the two items “Mother’s prepregnancy weight” and “Mother’s height”) or the Patient’s Worksheet for the Report of Fetal Death. Additionally, these items will not be included for pre-population since these data elements are not collected from an EHR for vital records.

5620