

Integrating the Healthcare Enterprise



5

**IHE Patient Care Device (PCD)
Technical Framework**

10

**Volume 2
IHE PCD TF-2
Transactions**

15

20

**Revision 7.0 - Final Text
November 9, 2017**

25

Please verify you have the most recent version of this document, which is published [here](#).

CONTENTS

	1 Introduction.....	8
30	1.1 Introduction to IHE	8
	1.2 Intended Audience	8
	1.3 Overview of Technical Framework Volume 2.....	8
	1.4 Comment Process.....	9
	1.5 Copyright Licenses.....	9
35	1.5.1 Copyright of Base Standards.....	9
	1.6 Trademark	9
	1.7 Disclaimer Regarding Patent Rights	9
	1.8 History of Document Changes	10
	2 Conventions	11
40	2.1 Transaction Modeling and Profiling Conventions.....	11
	2.2 Additional Standards Profiling Conventions	11
	2.3 Use of Coded Entities and Coding Schemes.....	11
	3 IHE PCD Transactions.....	12
	3.1 Communicate PCD Data [PCD-01]	12
45	3.1.1 Scope	12
	3.1.2 Use Case Roles.....	12
	3.1.3 Referenced Standards.....	13
	3.1.4 Interaction Diagrams	13
	3.1.4.1 DOR communicates with DOC	13
50	3.1.4.1.1 PCD-01 Communicate PCD Data (ORU^R01^ORU_R01) static definition	14
	3.1.4.1.2 Trigger events	15
	3.1.4.1.3 Message Semantics.....	16
	3.1.4.1.4 Expected Actions	16
55	3.1.5 Security Considerations.....	16
	3.2 [PCD-02] Reserved	17
	3.3 Communicate Infusion Order [PCD-03].....	17
	3.3.1 Scope	17
	3.3.2 Use Case Roles.....	17
60	3.3.3 Referenced Standards.....	17
	3.3.4 Interaction Diagram.....	17
	3.3.4.1 PCD-03 Communicate Infusion Order (RGV^O15^RGV_O15) static definition	18
	3.3.4.2 RGV^O15^RGV_O15 Pharmacy/Treatment Give Message	18
65	3.3.4.3 Trigger Events	20
	3.3.4.4 Message Semantics.....	20
	3.3.4.4.1 MSH – Message Header Segment	20
	3.3.4.4.2 PID - Patient Identification Segment.....	22
	3.3.4.4.3 PV1 Patient Visit Segment	22

70	3.3.4.4.4 ORC - Common Order Segment.....	22
	3.3.4.4.5 RXG - Pharmacy/Treatment Give Segment	23
	3.3.4.4.6 TQ1 Timing Quantity Segment	28
	3.3.4.4.7 Usage notes for RXG 17, 18, 23, and 24	30
	3.3.4.4.8 RXR - Pharmacy/Treatment Route Segment.....	31
75	3.3.4.4.9 OBX - Observation/Result segment	33
	3.3.4.4.10 Expected Actions	37
	3.3.5 RRG^O16^RRG_O16 Pharmacy/Treatment Give Acknowledgement Message	38
	3.3.5.1 MSH – Message Header Segment.....	39
	3.3.5.2 MSA - Message Acknowledgement segment.....	39
80	3.3.5.3 ERR - Error segment	39
	3.4 Report Alert [PCD-04].....	39
	3.4.1 Scope	39
	3.4.2 Use Case Roles.....	40
	3.4.3 Referenced Standards	40
85	3.4.4 Interaction Diagrams	41
	3.4.4.1 Alert Reporter reports to Alert Manager/Alert Consumer	41
	3.4.4.1.1 HL7 Conformance Statement	41
	3.4.4.1.2 PCD-04 Report Alert (ORU^R40^ORU_R40) static definition	41
	3.4.4.1.3 Trigger Events	43
90	3.4.4.1.4 Message Semantics.....	43
	3.4.4.1.5 Expected Actions	43
	3.4.4.1.6 Security Considerations	44
	3.5 Report Alert Status [PCD-05]	44
	3.5.1 Scope	44
95	3.5.2 Use Case Roles.....	44
	3.5.3 Referenced Standard	45
	3.5.4 Interaction Diagrams	45
	3.5.4.1 Alert Manager status updates to Alert Reporter	46
	3.5.4.1.1 Trigger Events	46
100	3.5.4.1.2 Message Semantics.....	47
	3.5.4.1.3 HL7 Conformance Statement	47
	3.5.4.1.4 PCD-05 Report Alert Status (ORA^R42^ORA_R42) static definition.....	48
	3.5.4.1.5 Expected Actions	49
	3.5.4.1.6 Security Considerations	49
105	3.6 Disseminate Alert [PCD-06].....	49
	3.6.1 Scope	49
	3.6.2 Use Case Roles.....	50
	3.6.3 Referenced Standard	50
	3.6.4 Interaction Diagrams	51
110	3.6.4.1 Alert Manager disseminate alert to Alert Communicator	51
	3.6.4.1.1 HL7 Conformance Statement	51
	3.6.4.1.2 PCD-06 Disseminate Alert static definition	51
	3.6.4.1.3 Trigger Events	51

	3.6.4.1.4 Message Semantics.....	51
115	3.6.4.1.5 Expected Actions.....	52
	3.6.4.1.6 Security Considerations.....	52
	3.7 Report Dissemination Alert Status [PCD-07].....	52
	3.7.1 Scope.....	52
	3.7.2 Use Case Roles.....	53
120	3.7.3 Referenced Standards.....	53
	3.7.4 Interaction Diagrams.....	54
	3.7.4.1 Alert Communicator status updates to Alert Manager.....	54
	3.7.4.2 Trigger Events.....	54
	3.7.4.2.1 Message Semantics.....	55
125	3.7.4.2.2 HL7 Conformance Statement.....	55
	3.7.4.2.3 PCD-07 Report Dissemination Alert Status static definition.....	55
	3.7.4.2.4 Expected Actions.....	56
	3.7.4.2.5 Security Considerations.....	56
	3.8 [PCD-08] Reserved.....	56
130	3.9 Communicate IDC Observations [PCD-09].....	56
	3.9.1 Scope.....	56
	3.9.2 Use Case Roles.....	56
	3.9.3 Referenced Standard.....	57
	3.9.4 Interaction Diagram.....	58
135	3.9.4.1 HL7 ORU Observation.....	58
	3.9.4.1.1 Trigger Events.....	58
	3.9.4.1.2 Message Semantics.....	59
	3.9.4.1.2.1 MSH Segment – Message Header.....	59
	3.9.4.1.2.2 PID Segment – Patient Identification.....	60
140	3.9.4.1.2.3 PV1 Segment – Patient Visit (Optional).....	62
	3.9.4.1.2.4 OBR Segment – Observation Request.....	63
	3.9.4.1.2.5 OBX Segments – Pulse Generator and Lead Observation Results.....	64
	3.9.4.1.2.6 IEEE 1073.1.1.3 IDC term mapping to OBX segment.....	67
145	3.9.4.1.2.7 OBX Segment with Encapsulated PDF or Reference Pointer to External Report [Optional].....	67
	3.9.4.1.2.8 NTE Segment – Notes and Comments [Optional].....	69
	3.9.4.1.3 Expected Actions.....	69
	3.9.4.1.3.1 Implantable Device – Cardiac – Consumer.....	69
	3.9.5 Security Considerations.....	69
150	Appendix A Mapping ISO/IEEE 11073 Domain Information Model to HL7.....	70
	A.1 ISO/IEEE Nomenclature mapping to HL7 OBX-3.....	73
	Appendix B Common Segment Descriptions.....	75
	B.1 MSH – Message Header Segment.....	75
	B.2 MSA – Message Acknowledgement Segment.....	81
155	B.3 ERR – Error Segment.....	82
	B.4 NTE - Notes and Comment Segment.....	84
	B.5 PID - Patient Identification segment.....	86

	B.5.1 PID Segment requirements for ACM Transaction PCD-04	93
	B.6 PV1 - Patient Visit Segment.....	94
160	B.6.1 PV1 Patient Visit Segment in ACM Transaction PCD-04	97
	B.7 OBR – Observation Request segment	97
	B.7.1 OBR Observation Request Segment in ACM Transaction PCD-04	102
	B.7.1.1 PRT Participation Information Segment in ACM Transaction PCD-04	103
	B.8 OBX - Observation/Result segment	106
165	B.8.1 OBX-4 in a 'flattened' representation of a device	108
	B.8.2 OBX-4 in a hierarchical representation of a device	109
	B.8.3 'Device-related' and 'metric-related' OBX segments in hierarchy are tied together by their OBX-4 values	109
	B.8.4 Dictionary ordering of 'device-related' and 'metric-related' OBX segments	111
170	B.8.5 OBX-4 Sub-id in Alert Communication Management transactions (PCD-04, PCD-06, PCD-07).....	112
	B.8.6 OBX-11 Observation Result Status in PCD-04 Report Alert.....	125
	B.8.7 Time Stamps and Time Synchronization.....	129
	B.8.8 Device Time Synchronization Capabilities	130
175	B.8.9 Device and/or DOR Synchronization Protocol	131
	B.9 ORC – Common Order Segment.....	132
	B.9.1 ORC Observation Control Segment in ACM Transaction PCD-04	137
	B.9.2 ORC Observation Control Segment in PIV Application Acknowledgment (RRG^O16^RRG_O16 Pharmacy/Treatment Give Acknowledgement)	137
180	B.10 PRT Participation Information Segment	138
	B.10.1 Current PRT Segment use in ACM Profile transactions	138
	B.10.2 Future PRT segment use to support Unique Device Identifiers in the PCD Profiles	139
	B.10.3 PRT Participation Information Segment in ACM Transactions PCD-04 and PCD-05	154
185	Appendix C Common Data Types	156
	C.1 CNE Data Type – coded with no exceptions.....	156
	C.2 CWE Data Type – coded with exceptions.....	157
	C.3 CX Data Type.....	157
190	C.4 DTM – date/time	158
	C.5 Entity Identifier (EI) Data Type	159
	C.6 Hierarchic Designator (HD) Data Type	161
	C.7 PL Data Type.....	162
	C.8 XPN Data Type	164
195	C.9 XTN Data Type	166
	Appendix D Reserved	167
	Appendix E Examples of messages	168
	E.1 PCD-01 Case C1: Communicate periodic data to Clinical Information System (CIS)...	168
	E.1.1 Example of PCD-01 Observation Report (Physiological Monitor).....	168
200	E.1.2 Example of PCD-01 Episodic Observation Report	169
	E.2 Examples of transaction PCD-03: Communicate Infusion Order	169

	E.2.1 Storyboard.....	169
	E.2.2 Interaction Diagram	170
	E.2.3 Messages	172
205	E.3 ACM PCD-04 Example Messages	173
	E.3.1 Alert - Numeric Limit Alarm.....	173
	E.3.2 Alert - Qualitative (non-numeric) Alarm.....	174
	Appendix F – HL7 Message Profiling Convention	176
	Appendix G – HL7 Implementation Notes.....	177
210	G.1 Acknowledgment Modes.....	177
	G.2 Use of OSI Object Identifier (OID).....	177
	Appendix H – IHE Integration Statements	178
	Appendix I – Message Transport using MLLP.....	179
	Appendix J – Message Transport using WS*	180
215	J.1 Sample WSDL file and schema.....	180
	J.2 Sample PCD-01 message and response.....	182
	Appendix K – Message Transport Using WCTP (ACM Transactions PCD-06 and PCD-07) ..	185
	K.1 Abbreviations and definitions	185
	K.2 Pre-Configuration.....	185
220	K.3 Endpoint Device Addressing.....	185
	K.4 Polling Versus Push Responses	185
	K.5 Constraints.....	186
	K.6 Transactions	186
	K.7 WCTP XML Element Common Data Items	186
225	K.8 WCTP client–server messages and responses.....	191
	K.8.1 Administrative – wctp-VersionQuery	192
	K.8.2 Administrative – wctp-VersionResponse	192
	K.8.3 Administrative – wctp-VersionResponse	192
	K.8.4 IHE PCD-06 – wctp-SubmitRequest – no MCR.....	193
230	K.8.5 IHE PCD-06 – wctp-SubmitRequest – Unpaired MCR.....	193
	K.8.6 IHE PCD-06 – wctp-SubmitRequest – Paired MCR.....	194
	K.8.7 IHE PCD-06 – wctp-SubmitRequest – Call Back Phone Number.....	195
	K.8.8 IHE PCD-07 – Synchronous response to wctp-SubmitRequest – Received by communications status update	196
235	K.8.9 wctp-PollForMessages – general poll (for Pre-Connectathon/Virtual Connectathon testing)	196
	K.8.10 wctp-PollResponse – general poll (for Pre-Connectathon/Virtual Connectathon testing)	197
	K.8.11 wctp-PollResponse message status update (for Pre-Connectathon/Virtual Connectathon testing)	197
240	K.8.12 wctp-PollResponse message status update acknowledgement (for Pre- Connectathon/Virtual Connectathon testing)	198
	K.8.13 wctp-PollResponse (message reply, not in response to an MCR based wctp- SubmitRequest) (for Pre-Connectathon/Virtual Connectathon testing)	198

245	K.8.14 IHE PCD-07 asynchronous status update (DELIVERED - delivery confirmation)	198
	
	K.8.15 IHE PCD-07 asynchronous status update (READ - read receipt).....	199
	K.8.16 IHE PCD-07 asynchronous reply message with MCR	199
	K.8.17 IHE PCD specific WCTP extensions to PCD-06 wctp-SubmitRequest for WCM	
250	attachments	200
	K.8.18 IHE PCD specific WCTP extensions to wctp-SubmitRequest for alert information	
	
	K.8.19 IHE PCD specific WCTP extensions to PCD-07 transactions for alerts.....	203
	K.8.20 IHE PCD-06 wctp-IHEPCDSubmitRequestUpdate.....	204
255	Glossary	207

1 Introduction

260 This document, Volume 2 of the IHE Patient Care Device (PCD) Technical Framework, defines transactions used in IHE Patient Care Device profiles.

1.1 Introduction to IHE

265 Integrating the Healthcare Enterprise (IHE) is an international initiative to promote the use of standards to achieve interoperability among health information technology (HIT) systems and effective use of electronic health records (EHRs). IHE provides a forum for care providers, HIT experts and other stakeholders in several clinical and operational domains to reach consensus on standards-based solutions to critical interoperability issues.

270 The primary output of IHE is system implementation guides, called IHE Profiles. IHE publishes each profile through a well-defined process of public review and trial implementation and gathers profiles that have reached final text status into an IHE Technical Framework, of which this volume is a part.

For more general information regarding IHE, refer to www.ihe.net. It is strongly recommended that, prior to reading this volume, the reader familiarizes themselves with the concepts defined in the [IHE Technical Frameworks General Introduction](#).

1.2 Intended Audience

275 The intended audience of IHE Technical Frameworks Volume 2 is:

- IT departments of healthcare institutions
- Technical staff of vendors participating in the IHE initiative
- Experts involved in standards development

1.3 Overview of Technical Framework Volume 2

280 Volume 2 is comprised of several distinct sections:

- Section 1 provides background and reference material.
- Section 2 presents the conventions used in this volume to define the transactions.
- Section 3 defines Patient Care Device domain transactions in detail, specifying the roles for each actor, the standards employed, the information exchanged, and in some cases, 285 implementation options for the transaction.

290 The appendices in Volume 2 provide clarification of technical details of the IHE data model and transactions. A glossary of terms and acronyms used in the IHE Technical Framework, including those from relevant standards, is provided in the [IHE Technical Frameworks General Introduction](#). Due to the length of the document, some domains may divide Volume 2 into smaller volumes labeled 2a, 2b, etc. In this case, the Volume 2 appendices are gathered in Volume 2x. Code and message samples may also be stored on the IHE ftp server. In this case, explicit links to the ftp server will be provided in the transaction text.

1.4 Comment Process

295 IHE International welcomes comments on this document and the IHE initiative. They can be submitted by sending an email to the co-chairs and secretary of the Patient Care Device domain committees at pcd@ihe.net.

1.5 Copyright Licenses

300 IHE International hereby grants to each Member Organization, and to any other user of these documents, an irrevocable, worldwide, perpetual, royalty-free, nontransferable, nonexclusive, non-sublicensable license under its copyrights in any IHE profiles and Technical Framework documents, as well as any additional copyrighted materials that will be owned by IHE International and will be made available for use by Member Organizations, to reproduce and distribute (in any and all print, electronic or other means of reproduction, storage or transmission) such IHE Technical Documents.

305 The licenses covered by this Copyright License are only to those copyrights owned or controlled by IHE International itself. If parts of the Technical Framework are included in products that also include materials owned or controlled by other parties, licenses to use those products are beyond the scope of this IHE document and would have to be obtained from that other party.

1.5.1 Copyright of Base Standards

310 IHE technical documents refer to and make use of a number of standards developed and published by several standards development organizations. All rights for their respective base standards are reserved by these organizations. This agreement does not supersede any copyright provisions applicable to such base standards.

315 Health Level Seven has granted permission to IHE to reproduce tables from the HL7^{®1} standard. The HL7 tables in this document are copyrighted by Health Level Seven[®]. All rights reserved. Material drawn from these documents is credited where used.

1.6 Trademark

320 IHE[®] and the IHE logo are trademarks of the Healthcare Information Management Systems Society in the United States and trademarks of IHE Europe in the European Community. They may only be used with the written consent of the IHE International Board Operations Committee, which may be given to a Member Organization in broad terms for any use that is consistent with the IHE mission and operating principles.

1.7 Disclaimer Regarding Patent Rights

325 Attention is called to the possibility that implementation of the specifications in this document may require use of subject matter covered by patent rights. By publication of this document, no position is taken with respect to the existence or validity of any patent rights in connection therewith. IHE International is not responsible for identifying Necessary Patent Claims for which

¹ HL7 is the registered trademark of Health Level Seven International.

330 a license may be required, for conducting inquiries into the legal validity or scope of Patents
 Claims or determining whether any licensing terms or conditions provided in connection with
 submission of a Letter of Assurance, if any, or in any licensing agreements are reasonable or
 non-discriminatory. Users of the specifications in this document are expressly advised that
 335 determination of the validity of any patent rights, and the risk of infringement of such rights, is
 entirely their own responsibility. Further information about the IHE International patent
 disclosure process including links to forms for making disclosures is available at
http://www.ihe.net/Patent_Disclosure_Process. Please address questions about the patent
 disclosure process to the secretary of the IHE International Board: secretary@ihe.net.

1.8 History of Document Changes

This section provides a brief summary of changes and additions to this document.

Date	Document Revision	Change Summary
2014-11-04	4.0	Incorporated approved Change Proposals Nos. 86-106 excluding withdrawn proposals. Integrated Sections 1 and 2 from 2014 Technical Framework Vol. 2 Templates and deleted material from Appendices which are now included by reference from the General Introduction. IHE Glossary is now included by reference.
2015-10-14	5.0	Updated ACM Profile to include all approved CPs and for housekeeping. Incorporated other applicable CPs through CP 121.
2016-11-09	6.0	Incorporated applicable CPs through CP 128
2017-11-09	7.0	Incorporated ACM Profile CP 129 to add additional attributes from PCD-04 to PCD-06 and PCD-07 messages, CP 130 to add table of minimally required attributes, CP 131 for PCD-06 update messages, and to add a mapping table of ISO 60601-1-8 alarm signal states to ACM PCD-04 attribute values.

340

2 Conventions

345 This document has adopted the following conventions for representing the framework concepts and specifying how the standards upon which the IHE PCD Technical Framework is based should be applied.

2.1 Transaction Modeling and Profiling Conventions

350 In order to maintain consistent documentation methods, modeling methods for IHE transactions and profiling conventions for frequently used standards are maintained as an appendix in the [IHE Technical Frameworks General Introduction](#). Methods described include the Unified Modeling Language (UML) and standards conventions include DICOM^{®2}, HL7 v2.x, HL7 Clinical Document Architecture (CDA^{®3}) Documents, etc. These conventions are critical to understanding this volume and should be reviewed prior to reading this text.

2.2 Additional Standards Profiling Conventions

355 This section defines profiling conventions for standards which are not described in the [IHE Technical Frameworks General Introduction](#).

2.3 Use of Coded Entities and Coding Schemes

IHE maintains coding schemes in the [IHE Technical Frameworks General Introduction Appendix](#).

² DICOM is the registered trademark of the National Electrical Manufacturers Association for its standards publications relating to digital communications of medical information.

³ CDA is the registered trademark of Health Level Seven International.

360 **3 IHE PCD Transactions**

This section defines each IHE transaction in detail, specifying the standards used, the information transferred, and the conditions under which the transaction is required or optional.

3.1 Communicate PCD Data [PCD-01]

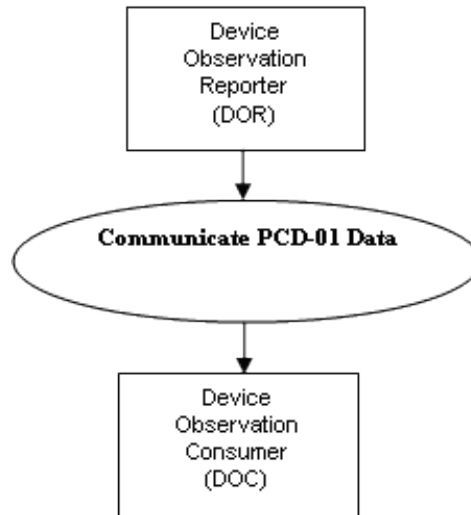
365 This section specifies Transaction PCD-01 of the IHE Patient Care Device Technical Framework, which is used to transmit patient care device data between systems. Transaction PCD-01 is used by the Device Observation Reporter and Device Observation Consumer Actors. Note that these actor names are linked to abstract functions rather than to physical devices; a Device Observation Reporter may be implemented in a freestanding system or it may be implemented in the Patient Care Device itself.

370 **3.1.1 Scope**

This transaction is used to communicate PCD Data from:

- A Device Observation Reporter (DOR) to a Device Observation Consumer (DOC).

3.1.2 Use Case Roles



375

Figure 3.1.2-1: Communicate PCD Data

Actor	Device Observation Reporter (DOR)
Role	Sends PCD Data to DOC
Actor	Device Observation Consumer (DOC)
Role	Receives PCD Data from DOR

3.1.3 Referenced Standards

- 380
- HL7 - HL7 Version 2.6 Chapter 7 Observation Reporting
 - HL7 – HL7 Version 2.7 Chapter 7 Observation Reporting – PRT Participation Segment with added fields for Unique Device Identification (UDI)
 - ISO/IEEE 11073-10201 Domain Information Model
 - ISO/IEEE 11073-10101 Nomenclature
- 385
- ISO/IEEE 11073-10102 Nomenclature - Annotated ECG (contains additional ECG lead identifiers which may be used as needed by sending systems, and shall be understood by receiving systems)

The IHE Patient Care Device Technical Framework uses an information model and a nomenclature from the IEEE 11073. The information model is defined in ISO/IEEE 11073-
390 10201 Health Informatics – Point-of-care medical device communication – Part 10201: Domain Information Model. The nomenclature is defined in ISO/IEEE 11073-10101 Health Informatics – Point -of-care medical device communication – Part 10101: Nomenclature. Familiarity with these standards is necessary for implementers of the Device Observation Reporter and Device Observation Consumer Actors.

395 HL7 V2.6 Chapter 7 Observation Reporting defines the general HL7 syntax and coding requirements related to observation reporting, used for PCD data communications in the PCD TF. Familiarity with HL7 Chapter 7 is necessary for implementers of the PCD TF transactions.

This Technical Framework specifies conventions that are used to represent the information model hierarchy for medical devices embodied in the IEEE 11073 Domain Information Model
400 within the syntactic and semantic conventions of HL7 v. 2.6

Definitions of HL7 Data Types used in PCD transactions, with comments on any specializations for PCD, are given in Appendix C, Common Data Types in this volume.

3.1.4 Interaction Diagrams

The following interaction diagrams illustrate potential implementations.

405 3.1.4.1 DOR communicates with DOC

The PCD-01 transaction is used to communicate PCD data from: Device Observation Reporter (DOR) to a Device Observation Consumer (DOC).

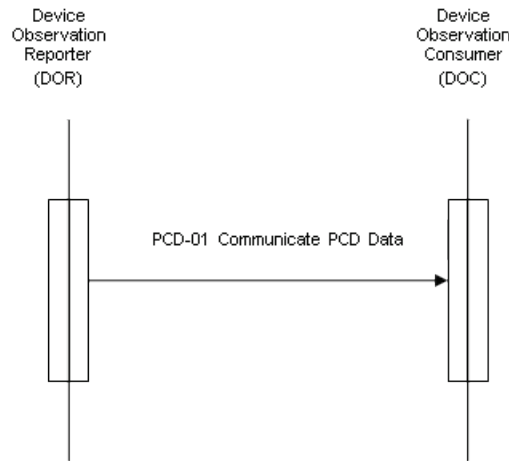


Figure 3.1.4.1-1: Communicate PCD Data Interaction Diagram

410 **3.1.4.1.1 PCD-01 Communicate PCD Data (ORU^R01^ORU_R01) static definition**

The PCD-01 Communicate PCD Data message is used to communicate PCD data

- From a Device Observation Reporter (DOR) to a Device Observation Consumer (DOC)

415 Common HL7 segments (MSH, MSA, ERR, NTE, PID, PV1, OBR, OBX, ORC, PRT) and data types (CWE, CNE, CX, EI, HD, PL, DTM, XPN, XTN) used in IHE PCD transactions are defined in Appendix B, “Common Segment Descriptions”, and Appendix C, "Common Data Types". Note that this message structure differs from the basic HL7 version 2.6 by allowing for the appearance of PRT segments, a segment new in HL7 version 2.7, in certain locations. This is to allow for the need for new participation data needed in transactions added to the ACM Profile in this Technical Framework revision, and for planned future extensions to support FDA Unique
 420 Device Identifiers. See Section B.10 for details on the PRT segment.

The static message is defined with the repeating segment group called "Order Observation". This group can repeat within the message so that a device needs to send only one message with multiple orders.

Segment	Meaning	Usage	Card	HL7 chapter
MSH	Message Header	R	[1..1]	2
[{SFT}]	Software Segment	X	[0..0]	2
[UAC]	User Authentication Credential	O	[0..1]	
{	--- PATIENT_RESULT begin			
[--- PATIENT begin			
PID	Patient Identification	R	[1..1]	3
[PD1]	Additional Demographics	X	[0..0]	3
[{PRT}]				

Segment	Meaning	Usage	Card	HL7 chapter
[{NTE}]	Notes and Comments	X	[0 0]	2
[{NK1}]	Next of Kin/Associated Parties	O	[0..3]	3
[--- VISIT begin			
PV1	Patient Visit	R	[1..1]	3
[PV2]	Patient Visit – Additional Info	X	[0..0]	3
[{PRT}]				
]	--- VISIT end			
]	--- PATIENT end			
{	---ORDER_OBSERVATION begin			
[ORC]	Order Common	X	[0..0]	4
OBR	Observation Request	R	[1..1]	7
[{NTE}]	Notes and Comments	O	[0..1]	2
[{PRT}]				
[{	--- TIMING_QTY begin			
TQ1	Timing/Quantity	R	[1..1]	4
[{TQ2}]	Timing/Quantity Order Sequence	X	[0..0]	4
}}	--- TIMING_QTY end			
[CTD]	Contact Data	X	[0..0]	11
[{	--- OBSERVATION begin			
OBX	Observation Result	R	[1..1]	7
[{PRT}]				
[{NTE}]	Notes and comments	O	[0..1]	2
}}	--- OBSERVATION end			
[{FT1}]	Financial Transaction	X	[0..0]	6
[{CTI}]	Clinical Trial Identification	X	[0..0]	7
[{	--- SPECIMEN begin			
SPM	Specimen	X	[0..0]	7
[{OBX}]	Observation related to Specimen	X	[0..0]	7
}}	--- SPECIMEN end			
}	--- ORDER_OBSERVATION end			
}	--- PATIENT_RESULT end			
[DSC]	Continuation Pointer	X	[0..0]	2

425

3.1.4.1.2 Trigger events

430 The ORU^R01^ORU_R01 message is an unsolicited update initiated by the Device Observation Reporter. The ORU^R01 can be sent with or without a preceding order, since it is common in a clinical setting for device data to be reported without a specific order having been transacted in the information system (that is, the reporting is the result of a "standing order" for monitoring in a particular clinical situation).

435 While a DOR may be implemented directly on a medical device, it is more often implemented on a gateway or intermediary device as an application which implements the DOR, receiving data from one or more patient care devices using either standards-based or proprietary protocols which are outside the current scope of the IHE PCD TF.

440 In general, the DOR sends periodic reports at an interval of between several times per minute (high acuity) and a maximum interval of 24 hours (chronic, home health) with a typical interval of 1 minute. The minimum and maximum intervals are configured at implementation. The DOR may also send aperiodic reports for "event type" information. The DOR shall not do interpolation of data received from the PCD source.

3.1.4.1.3 Message Semantics

Refer to the HL7 standard for the ORU message of HL7 2.6 Chapter 7 and the general message semantics.

445 The ORU^OR1^ORU_R01 message structure provides the mechanisms for mapping the hierarchical structure of an IEEE 11073 containment tree to a series of OBX messages each of which is optionally qualified by a note which immediately follows the respective OBX. See the discussion of how the containment is represented using a "dotted notation" in field OBX-4 Observation Sub-ID in Appendix B, Section B.8.

450 See Appendix A.1 ISO/IEEE Nomenclature mapping to HL7 OBX-3 for further information on the mapping rules.

Examples of ORU^R01^ORU_R01 messages implemented in HL7 Encoding Rules (ER7) are provided in Appendix E.

3.1.4.1.4 Expected Actions

455 The ORU^R01^ORU_R01 message is sent from the DOR to the DOC. Upon receipt, the DOC validates the message and responds with an acknowledgement as defined in Appendix G.1.1 Acknowledgment Modes.

3.1.5 Security Considerations

460 During the profile development there were no unusual security or privacy concerns identified. There are no mandatory security controls but the implementer is encouraged to use the underlying security and privacy profiles from ITI that are appropriate to the transports such as the Audit Trail and Node Authentication (ATNA) Profile. The operational environment risk assessment, following ISO 80001, will determine the actual security and safety controls employed.

3.2 [PCD-02] Reserved

465 3.3 Communicate Infusion Order [PCD-03]

This section specifies Transaction PCD-03 of the IHE Patient Care Device Technical Framework. Transaction PCD-03 is used by the Infusion Order Programmer and Infusion Order Consumer.

470 Since the IOC is typically a gateway rather than an infusion pump, all of the information specified in the PCD-03 Communicate Infusion Order transaction is not necessarily provided to or used to program the device.

Note: See related detail on infusion pump device models and data models in the Device Specialization – Infusion Pump PCD profiles for large volume, syringe, and patient controlled analgesia (PCA) pumps.

3.3.1 Scope

475 This transaction is used to communicate Infusion Order parameters from an Infusion Order Programmer (IOP) to an Infusion Order Consumer (IOC).

3.3.2 Use Case Roles

Actor	Infusion Order Programmer
Role	Sends Infusion Order parameters to IOC
Actor	Infusion Order Consumer
Role	Receives Infusion Order parameters from IOP and in turn programs the pump

3.3.3 Referenced Standards

- 480
- HL7 - HL7 Version 2.6 Ch4 Order Entry
 - ISO/IEEE 11073-10101 Nomenclature
 - ISO/IEEE 11073-10201 Domain Information Model

3.3.4 Interaction Diagram

The following interaction diagram illustrates the implementation.

485

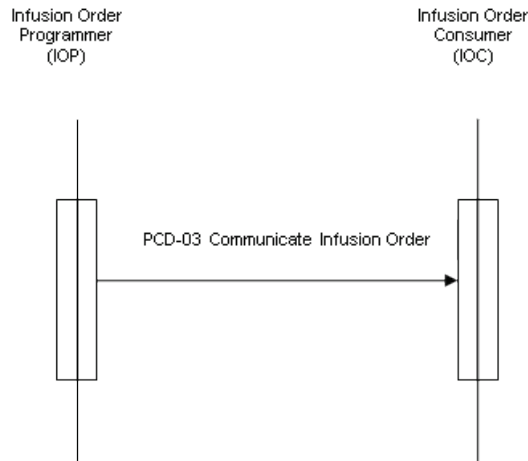


Figure 3.3.4-1: Communicate Infusion Order

3.3.4.1 PCD-03 Communicate Infusion Order (RGV^O15^RGV_O15) static definition

490

The PCD-03 Communicate Infusion Order message is used to communicate infusion data from an Infusion Order Programmer (IOP) to an Infusion Order Consumer (IOC).

Since the IOC is typically a gateway rather than an infusion pump, all of the information specified in the PCD-03 Communicate Infusion Order transaction is not necessarily provided to or used to program the device.

495

All HL7 segments used in the PCD-03 transaction are defined within this document.

3.3.4.2 RGV^O15^RGV_O15 Pharmacy/Treatment Give Message

Table 3.3.4.2-1: RGV^O15^RGV_O15 Pharmacy/Treatment Give Message

Segment	Meaning	Usage	Card	HL7 Chapter
MSH	Message Header	R	[1..1]	2
[{ SFT }	Software	X		2
[{ NTE }	Notes and Comments (for Header)	X		2
[--- PATIENT begin			
PID	Patient Identification	R	[1..1]	3
[{ NTE }	Notes and Comments (for PID)	X		2
[{ AL1 }	Allergy Information	X		2
[--- PATIENT_VISIT begin			
PV1	Patient Visit	O	[0..1]	3
[PV2]	Patient Visit – Additional Info	X		3
]	--- PATIENT_VISIT end			
]	--- PATIENT end			

IHE Patient Care Device Technical Framework, Vol. 2 (PCD TF-2): Transactions

Segment	Meaning	Usage	Card	HL7 Chapter
{	--- ORDER begin			
ORC	Common Order	R	[1..1]	4
[{	--- TIMING begin			
TQ1	Timing/Quantity	X		4
[{ TQ2 }	Timing/Quantity Order Sequence	X		4
}]	--- TIMING end			
[--- ORDER_DETAIL begin			
RXO	Pharmacy /Treatment Order	X		4
[--- ORDER_DETAIL_SUPPLEMENT begin			
{ NTE }	Notes and Comments (for RXO)	X		2
{ RXR }	Pharmacy/Treatment Route	X		4
[{	--- COMPONENTS begin			
RXC	Pharmacy/Treatment Component	X		4
[{ NTE }	Notes and Comments (for each RXC)	X		2
}]	--- COMPONENTS end			
]	--- ORDER_DETAIL_SUPPLEMENT end			
]	--- ORDER_DETAIL end			
[--- ENCODING begin			
RXE	Pharmacy/Treatment Encoded Order	X		4
{	--- TIMING_ENCODED begin			
TQ1	Timing/Quantity	X		4
[{ TQ2 }	Timing/Quantity Order Sequence	X		4
}]	--- TIMING_ENCODED end			
{ RXR }	Pharmacy/Treatment Route	X		4
[{ RXC }	Pharmacy/Treatment Component	X		4
]	--- ENCODING end			
{	--- GIVE begin			
RXG	Pharmacy/Treatment Give	R	[1..1]	4
{	--- TIMING_GIVE begin			
TQ1	Timing/Quantity	O	[0..1]	4
[{ TQ2 }	Timing/Quantity Order Sequence	X		4
}]	--- TIMING_GIVE end			
{ RXR }	Pharmacy/Treatment Route	R	[1..1]	4
[{ RXC }	Pharmacy/Treatment Component	X		4
{	--- OBSERVATION begin			
[OBX]	Observation/Results	R	[1..n]	7

Segment	Meaning	Usage	Card	HL7 Chapter
[{ NTE }]	Notes and Comments (for OBX)	X		2
}	--- OBSERVATION end			
}	--- GIVE end			
}	--- ORDER end			

500 3.3.4.3 Trigger Events

The RGV^O15^RGV_O15 message is generated by the Infusion Order Programmer when the caregiver initiates an action to administer a medication using an IV pump.

3.3.4.4 Message Semantics

505 Refer to the HL7 standard for the RGV message in HL7 2.6 Chapter 4 for the general message semantics.

3.3.4.4.1 MSH – Message Header Segment

510 This segment defines the intent, source, destination, and some specifics of the syntax of a message. See HL7 v2.6: chapter 2 Message control. For MSH usage in IHE PCD Technical Framework profiles, refer to Appendix B.1 of this volume. MSH-15 and MSH-16 fields have special considerations in PCD 03:

MSH-15 Accept Acknowledgement Type (ID), required:

This is required for all messages. The Accept Acknowledgement Type field will be valued with “AL” (always) by the IOP in a RGV^O15 message and by the IOC in a RRG^O16 message.

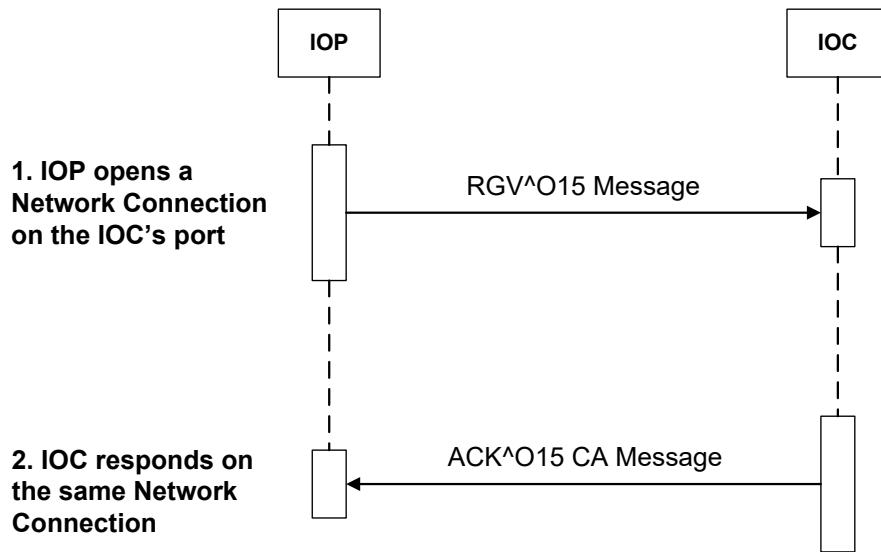
515 The receiving application must transmit the accept acknowledgement on the same network connection as the initiating RGV^O15 or RRG^O16 message

MSH-16 Application Acknowledgement Type (ID), required:

520 This is required for all messages. The application acknowledgement field informs the receiver whether the sender can process application acknowledgements and under what conditions to send the additional acknowledgement. The receiving system must send (or not send) acknowledgements as specified by this field.

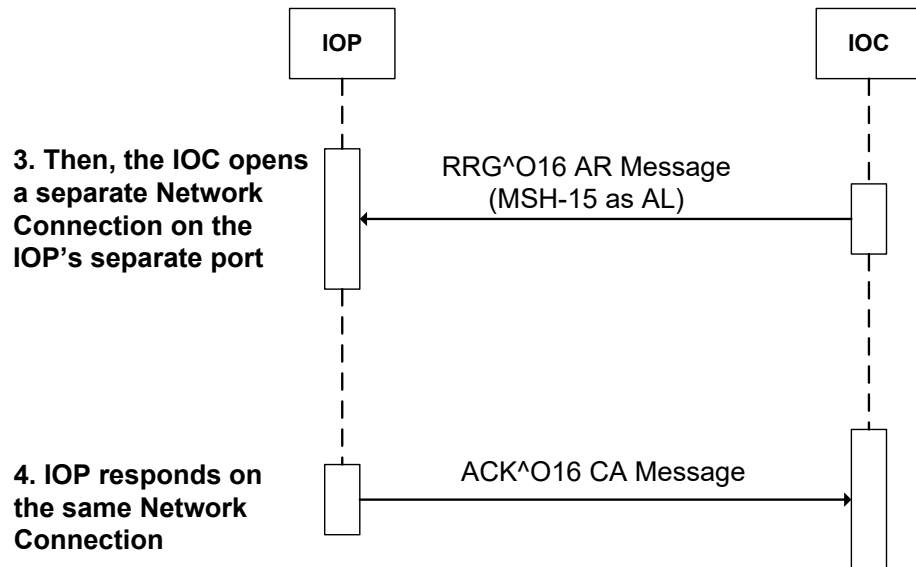
When the sending application requests an application acknowledgement, the receiving application must initiate a new network connection for the transaction. Here is an example of an IOP to IOC transaction:

525



1. The IOP sends a RGV^O15 message on the IOC's port 3000 with MSH-15="AL" and MSH-16="AL".
2. The IOC receives the message on port 3000 and transmits an ACK^O15 to the IOP on the same network connection.

530



3. After completing application processing, the IOC transmits a RRG^O16 on a different network connection (e.g., the IOP's port 3001) with MSH-15="AL" and MSH-16="NE".
4. The IOP receives the message on port 3001 and sends an ACK^O16 to the IOC on the same network connection.

535

After completing application processing, the IOP does not transmit an application acknowledgement.

540 If the IOP wants to always receive an application acknowledgement (RRG) message in addition to the accept acknowledgement, the IOP must populate MSH-16 with “AL” (always). If the IOP cannot process application acknowledgement messages, the IOP must populate MSH-16 with “NE” (never). The IOP must populate MSH-16 with “ER” (error) when the system only wants to receive an application acknowledgement message when the IOC detects an error.

The table below identifies the possible values for MSH-16:

Table 3.3.4.4.1-1: Possible Values for MSH-16 in PCD-03 Message

Value	Description	Comments
AL	Always	The sender always wants to receive an application acknowledgement in addition to the accept acknowledgement.
NE	Never	The sender cannot process application acknowledgements
ER	Error/reject	The sender only wants to be notified if there is a message error detected

545

This profile recommends “AL” (always) to receive complete messaging processing confirmation. If this support is not feasible, this profile recommends that the IOP value the application acknowledgement field with “ER” (error/reject), so that the IOC will only send an application error when it is unable to process the requested order.

550 This profile recommends that the IOC value the application acknowledgement field with “NE” on a RRG^O16, so that the IOP will only send an accept acknowledgement and not an application acknowledgement. Note that the IOP is responsible for sending (or not sending) an acknowledgement as specified by the IOC.

3.3.4.4.2 PID - Patient Identification Segment

555 The PID segment is used by all applications as the primary means of communicating patient identification information. This segment contains permanent patient identifying and demographic information that, for the most part, is not likely to change frequently. See HL7 v2.6: chapter 3 (3.4.2). For PID usage in IHE PCD Technical Framework profiles, refer to Appendix B.5 of this volume.

560 **3.3.4.4.3 PV1 Patient Visit Segment**

The PV1 segment is used by Registration/Patient Administration applications to communicate information on an account or visit-specific basis. See Appendix B.6 for details.

3.3.4.4.4 ORC - Common Order Segment

565 The Common Order segment (ORC) is used to transmit fields that are common to all orders (all types of services that are requested). See Appendix B.9 for details of usage in IHE PCD profiles.

3.3.4.4.5 RXG - Pharmacy/Treatment Give Segment**Table 3.3.4.4.5-1: HL7 Attribute Table – RXG – Pharmacy/Treatment Give**

SEQ	LEN	DT	Usage	Card.	TBL#	ITEM #	ELEMENT NAME
1	4	NM	R	[1..1]		00342	Give Sub-ID Counter
2	4	NM	RE	[0..1]		00334	Dispense Sub-ID Counter
3	705	TQ	X	[0..0]		00221	Quantity/Timing
4	705	CWE	R	[1..1]	0292	00317	Give Code
5	20	NM	CE	[0..1]		00318	Give Amount - Minimum
6	20	NM	RE	[0..1]		00319	Give Amount - Maximum
7	705	CWE	CE	[0..1]		00320	Give Units
8	705	CWE	RE	[0..1]		00321	Give Dosage Form
9	705	CWE	RE	[0..*]		00351	Administration Notes
10	1	ID	RE	[0..1]	0167	00322	Substitution Status
11	200	LA2	RE	[0..1]		01303	Dispense-To Location
12	1	ID	RE	[0..1]	0136	00307	Needs Human Review
13	705	CWE	RE	[0..*]		00343	Pharmacy/Treatment Supplier's Special Administration Instructions
14	20	ST	RE	[0..1]		00331	Give Per (Time Unit)
15	6	ST	CE	[0..1]		00332	Give Rate Amount
16	705	CWE	CE	[0..1]		00333	Give Rate Units
17	20	NM	RE	[0..1]		01126	Give Strength
18	705	CWE	RE	[0..1]		01127	Give Strength Units
19	20	ST	RE	[0..*]		01129	Substance Lot Number
20	24	DTM	RE	[0..*]		01130	Substance Expiration Date
21	705	CWE	RE	[0..*]	0227	01131	Substance Manufacturer Name
22	705	CWE	RE	[0..*]		01123	Indication
23	5	NM	RE	[0..1]		01692	Give Drug Strength Volume
24	705	CWE	RE	[0..1]		01693	Give Drug Strength Volume Units
25	60	CWE	RE	[0..1]		01694	Give Barcode Identifier
26	1	ID	RE	[0..1]	0480	01695	Pharmacy Order Type
27	705	CWE	X	[0..0]		01688	Dispense to Pharmacy
28	106	XAD	X	[0..0]		01689	Dispense to Pharmacy Address
29	80	PL	X	[0..0]		01683	Deliver-to Patient Location
30	250	XAD	X	[0..0]		01684	Deliver-to Address

570

The following describes the IHE PCD usage of those fields which have a usage other than X in the above table.

RXG-1 Give Sub-ID Counter

See HL7 V2.6 Section 4.14.6.1 for details. The PCD TF does not further constrain this field.

RXG-2 Dispense Sub-ID Counter

575 See HL7 V2.6 Section 4.14.6.2 for details. The PCD TF does not further constrain this field.

RXG-4 Give Code

580 Components: <Identifier (ST)> ^ <Text (ST)> ^ <Name of Coding System (ID)> ^ <Alternate Identifier (ST)> ^ <Alternate Text (ST)> ^ <Name of Alternate Coding System (ID)> ^ <Coding System Version ID (ST)> ^ <Alternate Coding System Version ID (ST)> ^ <Original Text (ST)>

Definition: This field is the identifier of the primary additive or principal ingredient of the IV medication to be administered to the patient.

585 Subfields CWE-1 "Identifier" and CWE-2 "Text" are required for each identifier. Typically, "Identifier" would be populated with a value such as an NDC or another value known to both the Infusion Order Programmer and the Infusion Order Consumer. "Text" would typically be populated with the generic name of the medication. The information provided in either Identifier or Text is used to match the ordered medication to the onboard drug library.

590 **RXG-5 Give Amount – Minimum**

Definition: This field contains the volume of fluid to be administered (VTBI). This volume is the actual fluid volume that the clinician intends to administer (not necessarily the volume contained in the bag, bottle, syringe, or other fluid container).

Required for LVP when TQ1 segment is not present. Optional for PCA and Syringe.

595 Must be empty when ORC-1 = "XO".

When this field is empty, there should be no implication made about the volume of fluid to be administered.

RXG-6 Give Amount - Maximum

600 See HL7 V2.6 Section 4.14.6.6 for details. The PCD TF does not further constrain this field.

RXG-7 Give Units

605 Components: <Identifier (ST)> ^ <Text (ST)> ^ <Name of Coding System (ID)> ^ <Alternate Identifier (ST)> ^ <Alternate Text (ST)> ^ <Name of Alternate Coding System (ID)> ^ <Coding System Version ID (ST)> ^ <Alternate Coding System Version ID (ST)> ^ <Original Text (ST)>

Definition: This field contains the coded units for the Give Amount. The preferred format is an MDC value; UCUM values are also acceptable.

Required for LVP when TQ1 segment is not present; Optional for PCA and Syringe.

Must be empty when ORC-1 = "XO".

610 The PCD TF requires that the first three components of RXG-7 contain one of the following sets of values:

- 263762^MDC_DIM_MILLI_L^MDC
- mL^mL^UCUM

RXG-8 Give Dosage Form

615 See HL7 V2.6 Section 4.14.6.8 for details. The PCD TF does not further constrain this field.

RXG-9 Administration Notes

See HL7 V2.6 Section 4.14.6.9 for details. The PCD TF does not further constrain this field.

620 **RXG-10 Substitution Status**

See HL7 V2.6 Section 4.14.6.10 for details. The PCD TF does not further constrain this field.

RXG-11 Dispense-to Location

625 See HL7 V2.6 Section 4.14.6.11 for details. The PCD TF does not further constrain this field.

RXG-12 Needs Human Review

See HL7 V2.6 Section 4.14.6.12 for details. The PCD TF does not further constrain this field.

RXG-13 Pharmacy/Treatment Supplier's Special Administration Instructions

630 See HL7 V2.6 Section 4.14.6.13 for details. The PCD TF does not further constrain this field.

RXG-14 Give Per (Time Unit)

See HL7 V2.6 Section 4.14.6.14 for details. The PCD TF does not further constrain this field.

635 **RXG-15 Give Rate Amount**

Definition: This field contains the numeric portion of the rate, dose rate, or dose amount to be administered.

If the infusion order specifies a rate, such as normal saline at 75 mL/hr, then this field contains the rate value amount (e.g., "75").

640 If the infusion order specifies a dose rate, such as dopamine at 5 mcg/kg/min, this field contains the dose rate value amount (e.g., "5").

If the infusion order specifies a dose amount, such as 2 g, this field contains the dose value amount (e.g., "2").

645 Required for LVP and Syringe; Optional for PCA. If present for PCA, contains the basal or continuous rate value.

RXG-16 Give Rate Units

650 Components: <Identifier (ST)> ^ <Text (ST)> ^ <Name of Coding System (ID)> ^ <Alternate Identifier (ST)> ^ <Alternate Text (ST)> ^ <Name of Alternate Coding System (ID)> ^ <Coding System Version ID (ST)> ^ <Alternate Coding System Version ID (ST)> ^ <Original Text (ST)>

Definition: This field contains the coded version of the units portion of the rate, dose rate, or dose to be administered.

If the infusion order specifies a rate, such as normal saline to infuse at 75 mL/hr, this field represents the rate units (e.g., "mL/hr").

655 If the infusion order specifies a dose rate, such as dopamine to infuse at 5 mcg/kg/min, this field represents the dose rate units (e.g., "mcg/kg/min").

If the infusion order specifies a dose, such as ceftriaxone 2 g, this field represents the dose units (e.g., "g").

660 When a dose is specified the TQ1 segment must be present to indicate the time period that the dose is to be infused over.

The preferred format is an MDC value; UCUM values are also acceptable.

Required for LVP and Syringe; Optional for PCA. If present for PCA, contains the basal or continuous rate units value.

Examples:

665 265266^MDC_DIM_MILLI_L_PER_HR^MDC
 265619^MDC_DIM_MICRO_G_PER_KG_PER_MIN^MDC
 263872^MDC_DIM_X_G^MDC
 670 ml/h^ml/h^UCUM
 ug/kg/min^ug/kg/min^UCUM
 g^g^UCUM

RXG-17 Give Strength

675 Definition: This field contains the quantity of the main ingredient in the infusion; e.g., for dopamine 800 mg in 250 mL D5W, the field would contain the value "800".

RXG-18 Give Strength Units

680 Components: <Identifier (ST)> ^ <Text (ST)> ^ <Name of Coding System (ID)> ^ <Alternate Identifier (ST)> ^ <Alternate Text (ST)> ^ <Name of Alternate Coding System (ID)> ^ <Coding System Version ID (ST)> ^ <Alternate Coding System Version ID (ST)> ^ <Original Text (ST)>

This field contains the coded version of the units portion of the main ingredient in the infusion; e.g., for dopamine 800 mg in 250 mL D5W, the field would represent 'mg'.

The preferred format is an MDC value; UCUM values are also acceptable:

Examples:

685 263890^MDC_DIM_MILLI_G^MDC
 mg^mg^UCUM

RXG-19 Substance Lot Number

See HL7 V2.6 Section 4.14.6.19 for details. The PCD TF does not further constrain this field.

690 **RXG-20 Substance Expiration Date**

See HL7 V2.6 Section 4.14.6.20 for details. The PCD TF does not further constrain this field.

RXG-21 Substance Manufacturer Name

695 See HL7 V2.6 Section 4.14.6.21 for details. The PCD TF does not further constrain this field.

RXG-22 Indication

See HL7 V2.6 Section 4.14.6.22 for details. The PCD TF does not further constrain this field.

RXG-23 Give Drug Strength Volume

700 Definition: This field contains the quantity of the diluent or base fluid ingredient(s) in the infusion; e.g., for dopamine 800 mg in 250 mL D5W, the field would contain the value "250".

RXG-24 Give Drug Strength Volume Units

705 Components: <Identifier (ST)> ^ <Text (ST)> ^ <Name of Coding System (ID)> ^
 <Alternate Identifier (ST)> ^ <Alternate Text (ST)> ^ <Name of Alternate
 Coding System (ID)> ^ <Coding System Version ID (ST)> ^ <Alternate Coding
 System Version ID (ST)> ^ <Original Text (ST)>

Definition: This field contains the coded units for the Give Drug Strength Volume. The preferred format is an MDC value; UCUM values are also acceptable.

710 The PCD TF requires that the first three components of RXG-24 contain one of the following sets of values:

- 263762^MDC_DIM_MILLI_L^MDC
- mL^mL^UCUM

715

RXG-25 Give Barcode Identifier

See HL7 V2.6 Section 4.14.6.25 for details. The PCD TF does not further constrain this field.

RXG-26 Pharmacy Order Type

720 See HL7 V2.6 Section 4.14.6.26 for details. The PCD TF does not further constrain this field.

RXG-27 to 30

These fields are not supported by the PCD TF.

3.3.4.4.6 TQ1 Timing Quantity Segment

725 This segment is an optional segment which allows the IOP to specify the duration of the infusion order. Along with the ordered dose (RXG.18) the infuser can then calculate the rate at which the infusion should be run. Not all IOC's will be able to support duration based infusions, and even vendors that do support will have limits on the types of infusions which support duration. See each vendor's implementation guide for further details.

730 **Table 3.3.4.4.6-1: TQ1 Timing Quantity Segment Attributes**

SEQ	LEN	DT	Usage	Card.	TBL#	ITEM #	ELEMENT NAME
1	4	SI	O	[0..1]		01627	Set ID - TQ1
2	20	CQ	X	[0..0]		01628	Quantity
3	540	RPT	X	[0..0]	0335	01629	Repeat Pattern
4	20	TM	X	[0..0]		01630	Explicit Time
5	20	CQ	X	[0..0]		01631	Relative Time and Units
6	20	CQ	X	[0..0]		01632	Service Duration
7	26	TS	X	[0..0]		01633	Start date/time
8	26	TS	X	[0..0]		01634	End date/time
9	705	CW E	X	[0..0]	0485	01635	Priority
10	250	TX	X	[0..0]		01636	Condition text
11	250	TX	X	[0..0]		01637	Text instruction
12	10	ID	X	[0..0]	0427	01638	Conjunction
13	20	CQ	R	[1..3]		01639	Occurrence duration
14	10	NM	X	[0..1]		01640	Total occurrence's

TQ1-1 Set ID

See HL7 v2.6 Section 4.5.4.1 for details. The PCD TF does not further constrain this field.

735 **TQ1-2 Quantity**

See HL7 v2.6 Section 4.5.4.2 for details. The PCD TF does not further constrain this field.

TQ1-3 Repeat Pattern

740 See HL7 v2.6 Section 4.5.4.3 for details. The PCD TF does not further constrain this field.

TQ1-4 Explicit Time

See HL7 v2.6 Section 4.5.4.4 for details. The PCD TF does not further constrain this field.

TQ1-5 Relative Time and Units

745 See HL7 v2.6 Section 4.5.4.5 for details. The PCD TF does not further constrain this field.

TQ1-6 Service Duration

See HL7 v2.6 Section 4.5.4.6 for details. The PCD TF does not further constrain this field.

750 **TQ1-7 Start date/time**

See HL7 v2.6 Section 4.5.4.7 for details. The PCD TF does not further constrain this field.

TQ1-8 End date/time

755 See HL7 v2.6 Section 4.5.4.8 for details. The PCD TF does not further constrain this field.

TQ1-9 Priority

See HL7 v2.6 Section 4.5.4.9 for details. The PCD TF does not further constrain this field.

TQ1-10 Condition text

760 See HL7 v2.6 Section 4.5.4.10 for details. The PCD TF does not further constrain this field.

TQ1-11 Text instruction

See HL7 v2.6 Section 4.5.4.11 for details. The PCD TF does not further constrain this field.

765 **TQ1-12 Conjunction**

See HL7 v2.6 Section 4.5.4.12 for details. The PCD TF does not further constrain this field.

TQ1-13 Occurrence duration

770 Components: <Quantity (NM)> ^ <Units (CE)> Subcomponents for Units (CE): <Identifier (ST)> & <Text (ST)> & <Name of Coding System (ID)> & <Alternate Identifier (ST)> & <Alternate Text (ST)> & <Name of Alternate Coding System (ID)>

This field specifies the duration of the infusion. Along with the dose or the volume to be administered the rate can be calculated by the infuser.

775 The only acceptable time values for this field are seconds, minutes, and hours. To specify multiple components of time, this field can be repeated two additional times.

Unit of Time	MDC Code
Hour	264384&MDC_DIM_HR&MDC
Minute	264352&MDC_DIM_MIN&MDC
Second	264320&MDC_DIM_X_SEC&MDC

Examples:

780 90 Seconds:
90^264320&MDC_DIM_X_SEC&MDC

2 Hours 45 Minutes:
2^264384&MDC_DIM_HR&MDC~45^264352&MDC_DIM_MIN&MDC

TQ1-14 Total occurrences

785 See HL7 v2.6 Section 4.5.4.14 for details. The PCD TF does not further constrain this field.

3.3.4.4.7 Usage notes for RXG 17, 18, 23, and 24

These fields are used by the pump or gateway to determine the concentration of the main ingredient in the infusion. Concentration is defined as:

790 $[Medication\ amount][units] / [Diluent\ amount][units]$

Example: 800 mg / 250 mL

795 The pump's onboard drug library may require this information in order to apply dosing limits to ensure the safe administration of a particular infusion. The "rules" contained in the drug library may be different for different concentrations of the same drug. For example, there may be two different rules for the medication "dopamine"; one specific for dopamine 800 mg in 250 mL, and another for any other concentration.

800 The BCMA system cannot know when the information is required since the drug library definition is internal to the pump system. BCMA systems may extract the information needed from the underlying order, from their formulary, or both. Basically, if the BCMA is able to determine these values, they should be supplied in the PCD-03 transaction.

805 An analogy to a pharmacy order for an IV fluid containing multiple components (RXC segments) may be helpful in determining how to populate these values. In PCD-03, RXG-17 and 18 (Give Strength/Units) are analogous to the Component Strength and Units (RXC-5 and 6) for the additive component (i.e., RXC-1 = "A"). Similarly, RXG-23 and 24 (Give Drug Strength Volume/Units) are similar to Component Drug Strength Volume and Units (RXC-8 and 9) for the base component (RXC-1 = "B").

Example:

Ampicillin 1 g/Sodium chloride 50 mL

RXC segments for Ampicillin (pharmacy order message):

810

Component	RXC-1	RXC-5	RXC-6	RXC-8	RXC-9
Ampicillin	A	1	G		
Sodium chloride	B			50	ML

RXG segment population for Ampicillin:

RXG-17	RXG-18	RXG-23	RXG-24
1	263872^MDC_DIM_X_G^MDC	50	263762^MDC_DIM_MILLI_L^MDC

815 Premixed medication orders

Certain marketed medication products are "premixed", containing both the additive and the base mixed together and sold as a single item.

Examples:

Dopamine 800 mg / Dextrose 5% 250 mL

820 Cefazolin 1 g / Dextrose 5% 50 mL

RXG segment population for Dopamine:

RXG-17	RXG-18	RXG-23	RXG-24
800	263890^MDC_DIM_MILLI_G^MDC	250	263762^MDC_DIM_MILLI_L^MDC

Fluid orders

825 "Plain" IV fluids do not contain an additive. The BCMA is not required to populate RXG-17, 18, 23, and 24 for these orders.

Examples:

Dextrose 5% 1000 mL

Sodium Chloride 0.9% 250 mL

830 Orders with multiple additives

Some infusion orders may contain multiple additives, for example, total parenteral nutrition (TPN) solutions are made up of one or more base solutions and as many as 10 or 12 additives. The BCMA is not required to populate RXG-17, 18, 23, and 24 for these orders.

3.3.4.4.8 RXR - Pharmacy/Treatment Route Segment

835 The Pharmacy/Treatment Route segment contains the alternative combination of route, site, administration device, and administration method that are prescribed.

Table 3.3.4.4.8-1: HL7 Attribute Table – RXR – Pharmacy/Treatment Route

SEQ	LEN	DT	Usage	Card.	TBL#	ITEM #	ELEMENT NAME
1	705	CWE	R	[1..1]	0162	00309	Route
2	705	CWE	RE	[0..1]	0550	00310	Administration Site
3	705	CWE	RE	[0..1]	0164	00311	Administration Device
4	705	CWE	CE	[0..1]	0165	00312	Administration Method
5	705	CWE	RE	[0..1]		01315	Routing Instruction
6	705	CWE	RE	[0..1]	0495	01670	Administration Site Modifier

The following describes the IHE PCD usage of the fields in the above table.

840 RXR-1 Route

Components: <Identifier (ST)> ^ <Text (ST)> ^ <Name of Coding System (ID)> ^ <Alternate Identifier (ST)> ^ <Alternate Text (ST)> ^ <Name of Alternate Coding System (ID)> ^ <Coding System Version ID (ST)> ^ <Alternate Coding System Version ID (ST)> ^ <Original Text (ST)>

845 Definition: This field is the route of administration. The PCD TF requires that this field be valued as ^IV^HL70162.

RXR-2 Administration Site

See HL7 V2.6 Section 4.14.2.2 for details. The PCD TF does not further constrain this field.

850 RXR-3 Administration Device

Components: <Identifier (ST)> ^ <Text (ST)> ^ <Name of Coding System (ID)> ^ <Alternate Identifier (ST)> ^ <Alternate Text (ST)> ^ <Name of Alternate Coding System (ID)> ^ <Coding System Version ID (ST)> ^ <Alternate Coding System Version ID (ST)> ^ <Original Text (ST)>

855 Definition: This field contains the type of pump used to administer the drug, if known by the BCMA system. The PCD TF requires that this field be valued as ^IVP^HL70164 for LVP pumps, ^PCA^HL70164 for PCA pumps, or ^SYR^HL70164 for Syringe pumps.

The following entry should be added to HL7 user-defined table #0164:

Value	Description
SYR	Syringe Pump

860

RXR-4 Administration Method

Components: <Identifier (ST)> ^ <Text (ST)> ^ <Name of Coding System (ID)> ^ <Alternate Identifier (ST)> ^ <Alternate Text (ST)> ^ <Name of Alternate Coding System (ID)> ^ <Coding System Version ID (ST)> ^ <Alternate Coding System Version ID (ST)> ^ <Original Text (ST)>

865

Definition: This field identifies whether the infusion is to be administered as a primary infusion or as an IV piggyback or secondary infusion. The TF requires that this field be

valued as ^IV^HL70165 for a primary infusion or ^IVPB^HL70165 for an IV piggyback or secondary infusion. This field is optional for PCA.

870 The following entry should be added to HL7 user-defined table #0165:

Value	Description
IV	IV Primary

RXR-5 Routing Instruction

875 See HL7 V2.6 Section 4.14.2.5 for details. The PCD TF does not further constrain this field.

RXR-6 Administration Site Modifier

See HL7 V2.6 Section 4.14.2.6 for details. The PCD TF does not further constrain this field.

3.3.4.4.9 OBX - Observation/Result segment

880 Refer to HL7 v2.6: Section 7.4.2x

The HL7 OBX segment is used to transmit a single observation or observation fragment. In the Point-of-Care Infusion Verification Profile the usage is limited to providing:

1. pump ID
2. patient parameters such as height, weight, or body surface area (BSA)
- 885 3. other parameters used to program the pump.

Note that the definition of the OBX segment in this profile is constrained from the definition used in the PCD Observation/Result Message to reflect this limited usage. The broader definition can be found in OBX - Observation/Result segment, Appendix Section B-8.

890 One OBX segment containing the pump ID must always be present. Additional OBX segments containing patient parameters or pump programming parameters may optionally follow.

Table 3.3.4.4.9-1: OBX segment

SEQ	LEN	DT	Usage	Card.	TBL#	Element name
1	4	SI	R	[1..1]		Set ID – OBX
2	3	ID	CE	[0..1]	0125	Value Type
3	705	CWE	R	[1..1]		Observation Identifier
4	20	ST	RE	[0..1]		Observation Sub-ID
5	99999	Varies	CE	[0..1]		Observation Value

SEQ	LEN	DT	Usage	Card.	TBL#	Element name
6	705	CWE	CE	[0..1]		Units
7	60	ST	RE	[0..1]		References Range
8	5	IS	RE	[0..1]	0078	Abnormal Flags
9	5	NM	X	[0..0]		Probability
10	2	ID	RE	[0..1]	0080	Nature of Abnormal Test
11	1	ID	RE	[0..1]	0085	Observation Result Status
12	24	DTM	X	[0..0]		Effective Date of Reference Range
13	20	ST	X	[0..0]		User Defined Access Checks
14	24	DTM	RE	[0..1]		Date/Time of the Observation
15	705	CWE	RE	[0..1]		Producer's ID
16	3220	XCN	RE	[0..1]		Responsible Observer
17	705	CWE	RE	[0..1]		Observation Method
18	427	EI	CE	[0..1]		Equipment Instance Identifier
19	24	DTM	RE	[0..1]		Date/Time of the Analysis
20	705	CWE	RE	[0..*]	0163	Observation Site

The following describes the IHE PCD PIV Profile's usage of those fields which have a usage other than X in the above table.

895 **OBX-1 Set ID**

This field contains the sequence number of the OBX in this message; i.e., 1st OBX Set ID = 1, 2nd OBX set ID = 2, etc., regardless of whether the OBX refers to a device or a metric value.

OBX-2 Value Type

900 The PCD PIV Profile constrains this field as follows:

If OBX-3 refers to a pump ID this field must be empty.

If OBX-3 refers to a patient parameter that conveys a numeric quantity (e.g., patient weight), this value is restricted to NM.

905 If OBX-3 refers to a pump programming parameter, this value should identify the data type of the value in OBX-5 Observation Value.

OBX-3 Observation Identifier

The PCD PIV Profile constrains the value of this field to one of the following:

Pump ID

69986^MDC_DEV_PUMP_INFUS_VMD^MDC

910

Patient parameter

68063^MDC_ATTR_PT_WEIGHT^MDC

68060^MDC_ATTR_PT_HEIGHT^MDC

188744^MDC_AREA_BODY_SURF_ACTUAL^MDC

915

Pump programming parameter

157985^MDC_DOSE_PCA_LIMIT^MDC

157986^MDC_VOL_PCA_DOSE_LIMIT^MDC

157987^MDC_TIME_PD_PCA_DOSE_LIMIT^MDC

920

157988^MDC_RATE_PCA_MAX_DOSES_PER_HOUR^MDC

157989^MDC_TIME_PCA_LOCKOUT^MDC

157994^MDC_VOL_FLUID_CONTAINER_START^MDC

0^MDC_DOSE_PCA_PATIENT^MDC

925

0^MDC_DOSE_CLINICIAN^MDC

0^MDC_DOSE_LOADING^MDC

(Note: Code assignments for last three terms are pending as of publication date)

OBX-4 Observation Sub-ID

The PC PIV Profile does not further constrain this field.

930

OBX-5 Observation Value

If OBX-3 refers to a pump ID, this field must be empty.

If OBX-3 refers to a patient parameter, this field contains the parameter value.

If OBX-3 refers to a pump programming parameter, this field contains the parameter value.

935

OBX-6 Units

The PCD PIV Profile constrains the value of this field based on the value in OBX-3.

If OBX-3 refers to a pump ID, this field must be empty.

If OBX-3 refers to a patient parameter, this field contains the coded units for the parameter. The preferred format is an MDC value; UCUM values are also acceptable.

940

When OBX-3 refers to weight, the first three components of OBX-6 must contain one of the following sets of values:

263872^MDC_DIM_X_G^MDC

263875^MDC_DIM_KILO_G^MDC

g^g^UCUM

945

kg^kg^UCUM

When OBX-3 refers to height, the first three components of OBX-6 must contain one of the following sets of values:

263441^MDC_DIM_CENTI_M^MDC

cm^cm^UCUM

950 When OBX-3 refers to BSA, the first three components of OBX-6 must contain one of the following sets of values:

263616^ MDC_DIM_SQ_X_M^MDC
m2^m2^UCUM

955 If OBX-3 refers to a pump programming parameter, this field contains the units for the value in OBX-5 Observation Value.

OBX-7 References Range:

The PCD PIV Profile does not further constrain this field.

OBX-8 Abnormal Flags

The PCD PIV Profile does not further constrain this field.

960 **OBX-10 Nature of Abnormal Test**

The PCD PIV Profile does not further constrain this field.

OBX-11 Observation Result Status

The PCD PIV Profile does not further constrain this field.

OBX-14 Date/Time of the Observation

965 The PCD PIV Profile does not further constrain this field.

OBX-15 Producer's ID

The PCD PIV Profile does not further constrain this field.

OBX-16 Responsible Observer (XCN)

The PCD PIV Profile does not further constrain this field.

970 **OBX-17 Observation Method**

The PCD PIV Profile does not further constrain this field.

OBX-18 Equipment Instance Identifier

See Appendix B.8 for description of usage of OBX-18.

If OBX-3 refers to a pump ID, the following applies.

- 975
- For backward compatibility, when used to contain a pump ID, the OBX-18 convention used in previous Trial Implementation versions of the Point-of-Care Infusion Verification Supplement may be used by agreement between sending and receiving systems, but this usage is deprecated and should not be used in new systems. The former language is reproduced here: "If OBX-3 refers to the pump ID, the ID is placed in the 'Universal ID' component (EI-3), and the device or manufacturer name is placed in the 'Universal ID Type' component (EI-4). The pump ID is a unique alphanumeric identifier and may optionally include the pump channel. The format of the identifier is vendor-specific. A typical value could be a serial
- 980

- 985 number for a single-channel pump, or a serial number followed by the channel number or letter for a multi-channel pump. Note that this specification differs from the usage of OBX-18 in IHE PCD DEC Profile."
- New applications should conform to the general specification for OBX-18 (Appendix B.8). The pump ID (vendor-specific format, which may optionally include the pump channel as before) should be placed in EI-1, and EI-3 and EI-4 should identify the manufacturer of the pump according to an accepted Universal ID system.
- 990
- If OBX-3 refers to a patient parameter this field must be empty.

If OBX-3 refers to a pump programming parameter this field must be empty.

OBX-19 Date/Time of the Analysis

The PCD PIV Profile does not further constrain this field.

995 **OBX-20 Observation Site**

The PCD PIV Profile does not further constrain this field.

OBX-21 to 25

OBX fields 21 to 25 are not supported by PCD PIV.

3.3.4.4.10 Expected Actions

1000 The Pharmacy/Treatment Give Message (RGV^O15^RGV_O15) is sent from the Infusion Order Programmer to the Infusion Order Consumer.

The receiving system validates the message and responds with an accept acknowledgment message (ACK^O15^ACK). If an error condition is detected and if MSH-16 (Application Acknowledgement Type) in the RGV^O15^RGV_O15 message is valued as "ER" or "AL", the IOC responds with a Pharmacy/Treatment Give Acknowledgment Message (RRG^O16^RRG_O16).

1005

If the message is accepted by the IOC, the accept acknowledgment will contain the value CA in MSA-1. If not, the accept acknowledgment will contain either CR or CE, based upon HL7 enhanced acknowledgment rules (see HL7 v2.6, Section 2.9.3.2).

1010 Message acceptance is based on:

- All required segments and fields are present
- No incorrect data types are present.
- Validation of fields that must contain specific values as defined in the Technical Framework (e.g., MSH-21 must be "1.3.6.1.4.1.19376.1.6.1.3.1").

1015 If MSH-16 (Application Acknowledgement Type) is valued as "ER" or "AL", the IOC may report an application acknowledgement error using the Pharmacy/Treatment Give Acknowledgment Message (RRG^O16^RRG_O16) for errors such as:

- Unknown device

- Dose/rate and volume are not within vendor parameters for the device type.
- Drug is not present in onboard library.

1020

If the message from the Infusion Order Programmer is rejected, the acknowledgement will contain the value AR or AE in MSA-1, based upon HL7 enhanced acknowledgment rules (see HL7 v2.6, Section 2.9.2.2). The reason for rejection is provided in the ERR segment.

1025

Once the programming information is received by the pump, the clinician may choose to do one of the following: (1) confirm the settings on the pump and then start the infusion, (2) enter or modify one or more settings and then start the infusion, or (3) reject the program before it is started.

Once the infusion is started, the settings actually programmed as well as the current state of the infusion can be obtained using the PCD-01 (Communicate PCD Data) transaction.

1030

3.3.5 RRG^O16^RRG_O16 Pharmacy/Treatment Give Acknowledgement Message

Table 3.3.5-1: RRG^O16^RRG_O16 Pharmacy/Treatment Give Acknowledgement Message

Segment	Meaning	Usage	Card	HL7 Chapter
MSH	Message Header	R	[1..1]	2
MSA	Message Acknowledgment	R	[1..1]	2
{{ ERR }}	Error	C	[0..1]	2
{{ SFT }}	Software	X		2
{{ NTE }}	Notes and Comments (for Header)	X		2
[--- RESPONSE begin			
[--- PATIENT begin			
PID	Patient Identification	O		3
{{ NTE }}	Notes and Comments (for PID)	X		2
]	--- PATIENT end			
{	--- ORDER begin			
ORC	Common Order	O		4
{	--- TIMING begin			
TQ1	Timing/Quantity	X		4
{{ TQ2 }}	Timing/Quantity Order Sequence	X		4
}}	--- TIMING end			
[--- GIVE begin			

Segment	Meaning	Usage	Card	HL7 Chapter
RXG	Pharmacy/Treatment Give	X		4
{	--- TIMING_GIVE begin			
TQ1	Timing/Quantity	X		4
{{ TQ2 }}	Timing/Quantity Order Sequence	X		4
}	--- TIMING_GIVE end			
{ RXR }	Pharmacy/Treatment Route	X		4
{{ RXC }}	Pharmacy/Treatment Component	X		4
]	--- GIVE end			
}	--- ORDER end			
]	--- RESPONSE end			

3.3.5.1 MSH – Message Header Segment

1035 The MSH segment is defined in Appendix B.1

3.3.5.2 MSA - Message Acknowledgement segment

The MSA segment is defined in Appendix B.2.

3.3.5.3 ERR - Error segment

The ERR Error segment is defined in Appendix B.3.

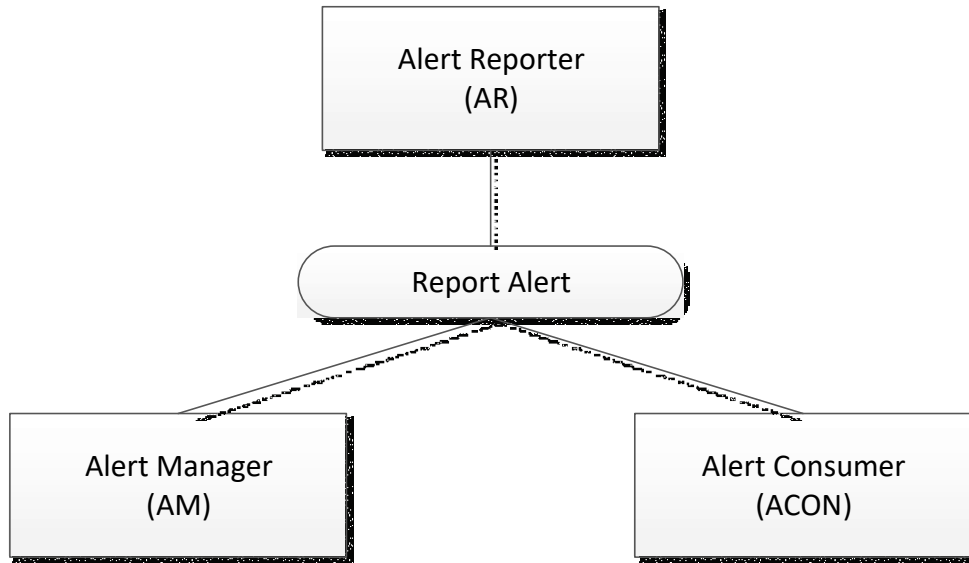
1040 3.4 Report Alert [PCD-04]

In anticipation of HL7 2.8 item 625, Add Alert Trigger Event, this profile is making forward looking use of the triggers and events from that item, specifically the use of ORU^R40 for PCD-04.

1045 This section corresponds to Transaction PCD-04 of the IHE Technical Framework. Transaction PCD-04 is used by the Alert Reporter (AR), Alert Consumer (ACON) and the Alert Manager (AM) Actors.

3.4.1 Scope

1050 This transaction is used by the Alert Reporter to report alerts to the Alert Manager (AM) and/or Alert Consumer (ACON). The Alert Reporter (AR) sends alerts to the Alert Manager (AM) and/or Alert Consumer (ACON) in an unsolicited manner.



3.4.2 Use Case Roles

1055

Actor	Alert Reporter
Role	Sends Report Alert to the Alert Manager (AM)
Actor	Alert Manager (AM)
Role	Receives Report Alert from Alert Reporter for transmission to a person
Actor	Alert Consumer (ACON)
Role	Receives Report Alert from Alert Reporter with no expectation of transmission to a person

3.4.3 Referenced Standards

HL7 - HL7 Version 2.6 Ch7 Observation Reporting

ISO/IEEE 11073-10201 Domain Information Model

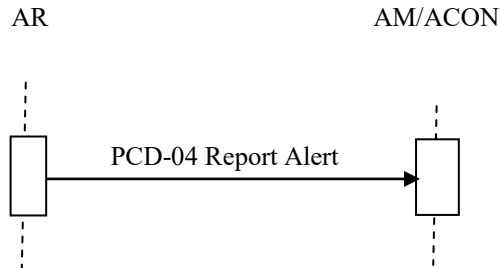
1060

ISO/IEEE 11073-10101 Nomenclature

IEC 60601-1-8 Medical electrical equipment -- Part 1-8: General requirements for basic safety and essential performance -- Collateral standard: General requirements, tests and guidance for alarm systems in medical electrical equipment and medical electrical systems

3.4.4 Interaction Diagrams

1065 3.4.4.1 Alert Reporter reports to Alert Manager/Alert Consumer



Alert Reporter sends Report Alert to Alert Manager and/or Alert Consumer as an HL7 ORU message.

3.4.4.1.1 HL7 Conformance Statement

1070 The conformance statement for this interaction described below is adapted from HL7 2.6.

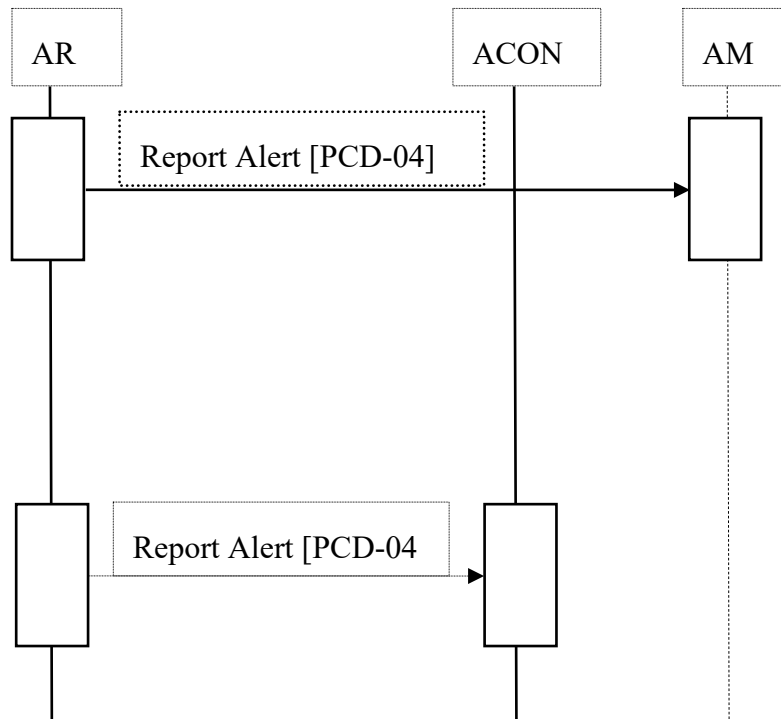
Table 3.4.4.1.1-1: PCD-04 Transaction Conformance

Publication ID:	R40
Type:	Unsolicited
Publication Name:	IHEPCD-04ReportAlert
Trigger:	None
Mode:	Immediate
Response:	ORU^R40^ORU_R40
Characteristics:	Sends defined alert data
Purpose:	Report Alert from Alert Reporter to Alert Manager and/or Alert Consumer
Based on Segment Pattern:	R40

3.4.4.1.2 PCD-04 Report Alert (ORU^R40^ORU_R40) static definition

1075 The PCD-04 Report Alert message is used to communicate ACM data from an Alert Reporter (AR) to Alert Manager (AM) and/or Alert Consumer (ACON)

Common HL7 segments are defined in Appendix B Common Message Segments. There are sections discussing considerations specific to PCD-04 where applicable.



1080

Table 3.4.4.1.2-1: ORU^R40^ORU_R40 HL7 Attribute Table

Segment	ORU Message	Usage	Card.	HL7 Ref
MSH	Message Header Segment	R	[1..1]	2.15.9
PID	Patient Identification Segment	CE	[0..1]	3.4.2
PV1	Patient Visit Segment	CE	[0..1]	3.4.3
[ORC]	Common Order Segment	O	[0..1]	4.5.1
OBR	Observation Request Segment	R	[1..n]	7.4.1
[PRT]	Participation Segment	O	[0..n]	8.4.4 (V2.7)
OBX	Observation Result Segment	R	[1..n]	7.4.2
[NTE]	Notes and Comments Segment	O	[0..1]	2.5.10

While there can be multiple OBR segments per PCD-04 transaction (in support of inclusion of alert common containment and evidentiary data) there is at most one alert per PCD-04 transaction.

1085

Table 3.4.4.1.2-2: ORU^R40^ORU_R40 Static Definition

ORU^R40^ORU_R40	Report Alert Message
MSH	Message Header
[{SFT}]	Software Segment

ORU^R40^ORU_R40	Report Alert Message
{	--- ALERT begin
[--- PATIENT begin
PID	Patient Identification
[--- LOCATION begin
PV1	Alert Location
]	--- LOCATION end
]	--- PATIENT end
{	--- ALERT_IDENTIFICATION begin
[ORC]	Alert Order Common
{OBR}	Alert Identification
[{	--- ALERT_OBSERVATION begin
{OBX}	Alert observations relative to OBR
[PRT]	Participation identifies additional notification recipients
{ [NTE] }	Notes and Comments
}}	--- ALERT_OBSERVATION end
}	--- ALERT_IDENTIFICATION end
}	--- ALERT end

A single Report Alert [PCD-04] transaction contains at most one alert for a given patient and there must be an OBR preceding each group of OBX segments.

See Appendix B for details of the contents of each segment in the PCD-04 Transaction.

1090 3.4.4.1.3 Trigger Events

The trigger event for a PCD-04 Transaction is that the Alert Reporter has detected the presence, onset, continuation of, or conclusion an event which may be an alert and sends it to the Alert Manager and/or Alert Consumer.

3.4.4.1.4 Message Semantics

1095 This message is meant to convey from the Alert Reporter to the Alert Manager and/or the Alert Consumer, the fact that an alert is present, occurring, is still occurring, or has ended along with the data related to the alert to identify the patient and/or location, the alerting condition, and any observations associated with the alert.

3.4.4.1.5 Expected Actions

1100 HL7 ACK from the Alert Manager (AM) and/or the Alert Consumer (ACON) back to the Alert Reporter (AR) is used to communicate that the Alert Manager (AM) and/or the Alert Consumer has received the Report Alert [PCD-04] message from the Alert Reporter (AR). Report Dissemination Alert Status [PCD-07] transactions that are responses to a particular Report Alert

1105 [PCD-04] are not rapid synchronous responses to it; since they depend on events that may take an indeterminate amount of time, including in some cases responses by a person receiving the alert. That is the reason that an HL7 ACK is not used to report dissemination status of the alert as this procedure would leave the Alert Reporter (AR) awaiting HL7 ACK receipt for an indeterminate amount of time.

1110 Status updates as to the dissemination of the alert are optional and are communicated using the Report Alarm Status [PCD-05] transaction from the Alert Manager (AM) to the Alert Reporter (AR).

1115 While the Alert Reporter to Alert Manager and/or Alert Consumer [PCD-04] is one message it is likely to result in many [PCD-06] messages from Alert Manager to Alert Communicator and many [PCD-07] messages from Alert Communicator back to Alert Manager and many [PCD-05] messages from Alert Manager back to Alert Reporter.

1120 If the Alert Manager implements escalation to additional recipients based upon internally defined lack of delivery status updates or lack of operator responses then those additional [PCD-06] transactions from the Alert Manager to the Alert Communicator are likely to result in additional [PCD-05] messages from the Alert Manager back to the Alert Reporter.

1120 Communication device operator response delays may result in delays of Alert Communicator to Alert Manager and Alert Manager back to Alert Reporter messages.

1125 Instances of the Participation Information Segment (PRT) are optionally used by the Alert Reporter (AR) in the PCD-04 message to indicate alert notification recipients which are in addition to any alert notification recipients identified internally by the Alert Manager (AM).

1125 **3.4.4.1.6 Security Considerations**

1130 During the profile development there were no unusual security/privacy concerns identified. There are no mandatory security controls but the implementer is encouraged to use the underlying security and privacy profiles from ITI that are appropriate to the transports such as the Audit Trail and Node Authentication (ATNA) Profile. The operational environment risk assessment, following ISO 80001, will determine the actual security and safety controls employed.

3.5 Report Alert Status [PCD-05]

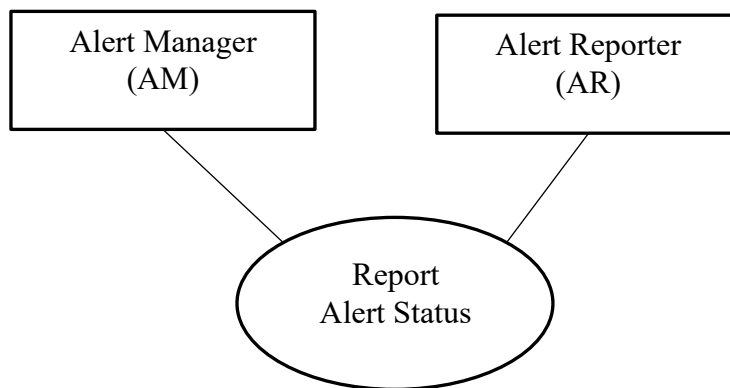
1135 This section corresponds to Transaction PCD-05 of the IHE Technical Framework. Transaction PCD-05 is used by the Alert Manager (AM) to report alert communication, status updates, and operator responses to the Alert Reporter (AR).

3.5.1 Scope

This transaction is used by the Alert Manager (AM) to report one or more dissemination status updates back to the Alert Reporter.

3.5.2 Use Case Roles

1140



Actor: Alert Manager (AM)

Role: Sends Report Alert Status to Alert Reporter (AR)

1145 Actor: Alert Reporter (AR)

Role: Receives Report Alert Status from the Alert Manager (AM)

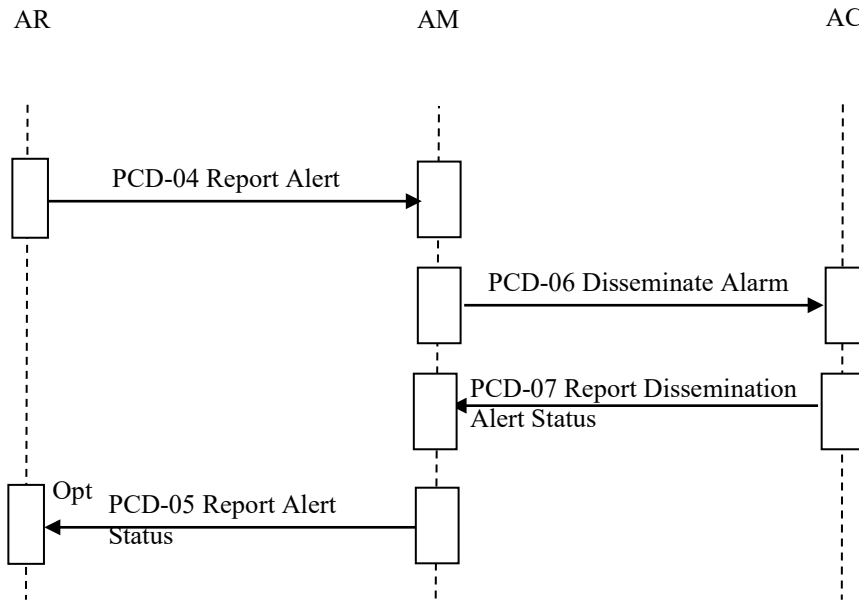
3.5.3 Referenced Standard

HL7 - HL7 Version 2.6 Ch7 Observation Reporting

ISO/IEEE 11073-10201 Domain Information Model

1150 ISO/IEEE 11073-10101 Nomenclature

3.5.4 Interaction Diagrams



1155

Figure 3.5.4-1: ACM Interaction Diagram

3.5.4.1 Alert Manager status updates to Alert Reporter

The Alert Manager sends Report Alert Status transactions to the Alert Reporter as an HL7 message.

3.5.4.1.1 Trigger Events

1160 The Alert Manager has determined either through configuration and contextual data driven decision rules or through receipt of Report Dissemination Alert Status from the Alert Communicator that an alert status update needs to be sent to the Alert Reporter.

Alert Manager internal trigger events include the following:

- Accept (not specified, correct)
- 1165 • Reject (not specified, nuisance but correct, false positive)
- Deliverable, had a mapped destination
- Undeliverable, couldn't communicate message to endpoint device
- Queued to communications

3.5.4.1.2 Message Semantics

1170 This message is meant to convey from the Alert Manager to the Alert Reporter the dissemination and response status of the alert message back for the Alert Reporter.

3.5.4.1.3 HL7 Conformance Statement

The conformance statement for the interaction described below is adapted from HL7 2.6 with the addition of the PRT segment from 2.7

1175 While HL7 2.8 item 625 provides for the Alert Manager (AM) to send either ORA^R41 or ORA^R42 as Report Alert Status [PCD-05] to the Alert Reporter (AR), the use of ORA^R41 is not expected to be utilized by vendors as it presumes a guarantee of delivery that the Alert Manager (AM) and the Alert Communicator (AC) cannot assure. Therefore ORA^R42 is used for [PCD-05] in this profile.

1180 R41 indicates that Alert Manager has received the alert and can provide some level of assurance that it will be delivered. This approach presumes assurance of delivery (considering the predominant use by healthcare of cost conscious one-way fire-and-forget pagers). If the delivery assurance is not achievable then R42 should be utilized in an implementation.

1185 In an R42 the Participation Information (PRT) segment PRT-4 field AAP (Alert Acknowledging Provider) is used to indicate the identity of the person to which the alert has been delivered and/or acknowledged.

Table 3.5.4.1.3-1: Transaction Conformance

Publication ID:	R42
Type:	Unsolicited
Publication Name:	IHEPCD-05ReportAlarmStatus
Trigger:	None
Mode:	Immediate
Response:	ORA^R42^ORA_R42
Characteristics:	Sends alarm status data
Purpose:	Provide alarm status from Alert Manager to Alert Reporter
Based on Segment Pattern:	R42

3.5.4.1.4 PCD-05 Report Alert Status (ORA^R42^ORA_R42) static definition

1190 The PCD-05 Report Alert Status message is used to communicate ACM messaging status from an Alert Manager (AM) to an Alert Reporter (AR)

Common HL7 segments are defined in Appendix B Common Message Segments.

Table 3.5.4.1.4.-1: ORA^R42^ORA_R42 static definition

ORA^R42^ORA_R42	ORU Message	Usage	Card.	Section Ref
MSH	Message Header Segment	R	[1..1]	2.15.9
PID	Patient Identification Segment	CE	[1..1]	3.4.2
PV1	Patient Visit Segment	CD	[1..1]	3.4.3
[ORC]	Common Order Segment	O	[0..1]	4.5.1
OBR	Observation Request Segment	R	[1..n]	7.4.1
[PRT]	Participation Information Segment	O	[0..n]	HL7 2.7 7.4.4
OBX	Observation Result Segment	O	[0..n]	7.4.1
[NTE]	Notes and Comments Segment	O	[0..1]	2.5.10

1195 While there can be multiple OBR segments per transaction there is at most one alert on which status is reported per transaction.

3.5.4.1.5 Expected Actions

Alert Reporter takes appropriate action based upon alert status update. At a minimum, this shall include the Alert Reporter logging receipt of the [PCD-05] message.

- 1200 Actions by the Alert Reporter to indicate whether or not the alert notification text message was successfully disseminated (not possible with one-way pager devices), the identification of the recipients (not possible if notification assignments are by device identification and not by person identification), and how they responded (not possible with one-way pager devices) would be informative, but is not a requirement of this profile.

3.5.4.1.6 Security Considerations

- 1205 This profile while utilizing communication capabilities supportive of authentication, encryption, or auditing, does not impose specific requirements leaving these matters to site-specific policy or agreement. The IHE PCD Technical Framework identifies security requirements across all PCD profiles. During the Profile development there were no unusual security/privacy concerns identified. There are no mandatory security controls but the implementer is encouraged to use the underlying security and privacy profiles from ITI that are appropriate to the transports such as the Audit Trail and Node Authentication (ATNA) Profile. The operational environment risk assessment, following ISO 80001, will determine the actual security and safety controls employed.
- 1210

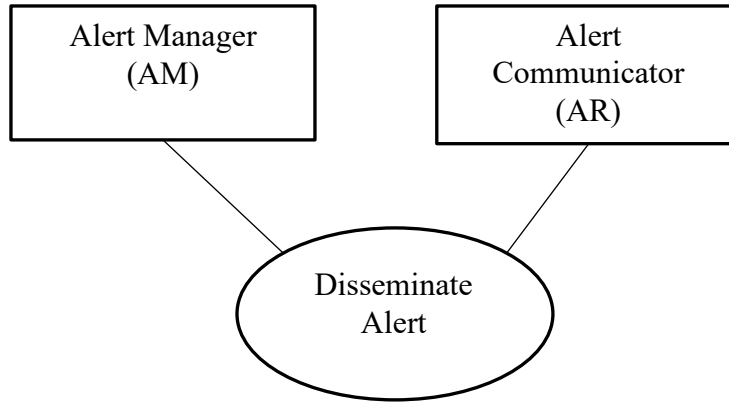
3.6 Disseminate Alert [PCD-06]

- 1215 This section corresponds to Transaction PCD-06 of the IHE Technical Framework. Transaction PCD-06 is used by the Alert Manager (AM) to disseminate alerts to the Alert Communicator (AC).

3.6.1 Scope

- 1220 This transaction is used by Alert Manager (AM) to disseminate the alert to the Alert Communicator (AC).

3.6.2 Use Case Roles



Actor	Alert Manager (AM)
Role	Sends Disseminate Alert to Alert Communicator (AC)
Actor	Alert Communicator (AC)
Role	Receives Disseminate Alert from the Alert Manager (AM)

1225

3.6.3 Referenced Standard

The communication protocol between the Alert Manager and Alert Communicator Actors is WCTP. The communicated data items are in scope for this profile (for details see Appendix K Message Transport Using WCTP (ACM Transactions PCD-06 and PCD-07)). See the current version of IHE PCD Rosetta Terminology Mapping (RTM) for the list of standardized alert terms that may be used within PCD-04 messages (see the NIST Rosetta Terminology Mapping Management Service websites, <http://rtmms.nist.gov>).

1230

While alert related data items available to the Alert Manager are specified in this profile, the ability of individual communication devices to communicate, display, or respond to those data items is dependent upon the product capabilities and site specific configuration of the Alert Communicator, the communication device, and the available communication infrastructure.

1235

The base standard for Alert Manager to Alert Communicator communication is Wireless Communications Transfer Protocol (WCTP) Protocol Specification version 1.3 update 1 (http://www.wctp.org/release/wctp-v1r3_update1.pdf)

1240

ISO/IEEE 11073-10201 Domain Information Model

ISO/IEEE 11073-10101 Nomenclature

3.6.4 Interaction Diagrams

3.6.4.1 Alert Manager disseminate alert to Alert Communicator

1245 Alert Manager sends Disseminate Alert to Alert Communicator. The protocol between the Alert Manager and Alert Communicator Actors is WCTP.

3.6.4.1.1 HL7 Conformance Statement

The communication protocol is WCTP. There is therefore no specified HL7 conformance.

3.6.4.1.2 PCD-06 Disseminate Alert static definition

1250 The PCD-06 Disseminate Alert message is used to communicate ACM data from an Alert Manager (AM) to the Alert Communicator (AC).

1255 The text message within the PCD-06 transaction is meant to be readily recognized and acted upon by people. Accordingly, it should be as short as they can be made while still conveying the important information, and easily understood by the intended recipients. Most communication device displays are limited in size; so long messages are undesirable as they require scrolling to review the entire message before acting upon it to make sure that no pertinent information is overlooked.

1260 If the PCD-06 includes a human readable text description of the alert indication, that is the preferred description to be presented on the wireless endpoint communication device. In the absence of such information, the Alert Manager should produce the human readable text description from other information present in the transaction.

In planning the use of this transaction, implementers should assure that regulatory requirements and institutional policy regarding the protection of personal health information are properly accounted for including any need for authentication or encryption of the communications.

3.6.4.1.3 Trigger Events

1265 The Alert Manager has determined that an alert needs to be disseminated and so sends it to each Alert Communicator endpoint device associated with the mapping of the alert source to the alert notification destination.

3.6.4.1.4 Message Semantics

This message communicates alerts to communication endpoint devices.

1270 The table below lists the data items and their optionality. All of these data items are within the WCTP message text.

Table 3.6.4.1.4-1: PCD-06 static definition

PCD-06	Fields	Usage	Card.
Alert_Location	Alert associated location based upon information from PV1-3	CE	[0..1]
Alert_Patient	Patient Identification	CE	[0..1]

PCD-06	Fields	Usage	Card.
Alert_Text	Textual alert identification	R	[1..1]
Alert_Identifier	Alert unique identifier	O	[0..1]
Alert_Callback	Call back connection information	O	[0..1]
Alert_Reference	URL or application link potentially containing alert or patient contextual information	O	[0..1]
Alert_Comment	Notes and Comments associated with alert	O	[0..1]
Alert_Evidentiary_Data	Evidentiary data (WCM) associated with alert content See Appendix K for WCTP messaging information	O	[0..1]
Alert_Graphical_Snippet	Graphical snippet associated with Alert (WCM) content See Appendix K for WCTP messaging information	O	[0..n]
Alert_Information	Information associated with alert content, See Appendix K for WCTP messaging information	O	[0..1]

3.6.4.1.5 Expected Actions

1275 Alert Communicator sends alert to endpoint. If the endpoint is a group then the Alert Communicator is expected to send the alert notification to all members of the group.

3.6.4.1.6 Security Considerations

1280 This profile while utilizing communication capabilities supportive of authentication, encryption, or auditing, does not impose specific requirements leaving these matters to site-specific policy or agreement. During the Profile development there were no unusual security/privacy concerns identified. There are no mandatory security controls but the implementer is encouraged to use the underlying security and privacy profiles from ITI that are appropriate to the transports such as the Audit Trail and Node Authentication (ATNA) Profile. The operational environment risk assessment, following ISO 80001, will determine the actual security and safety controls employed.

1285

3.7 Report Dissemination Alert Status [PCD-07]

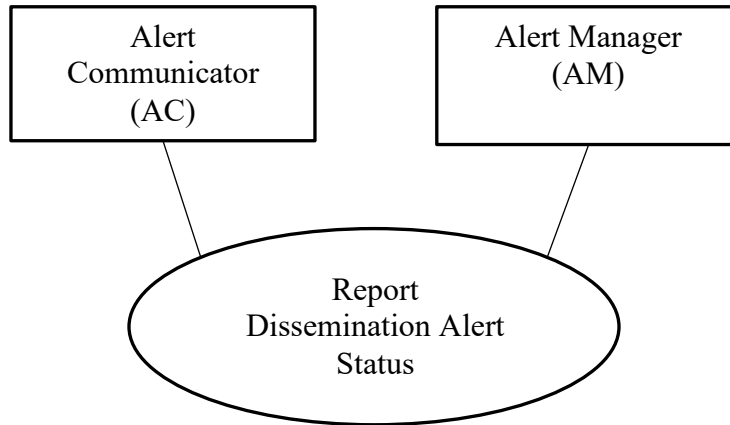
This section corresponds to Transaction PCD-07 of the IHE Technical Framework. Transaction PCD-07 is used by the Alert Communicator to signal dissemination status updates and replies to the Alert Manager (AM).

1290 3.7.1 Scope

This transaction is used by Alert Communicator to report one or more dissemination status updates and/or replies to the Alert Manager (AM). A single PCD-06 transaction from the Alert

Manager to the Alert Communicator can result in numerous PCD-07 transactions from the Alert Communicator back to the Alert Manager.

1295



3.7.2 Use Case Roles

Actor	Alert Communicator (AC)
Role	Sends Dissemination Status to the Alert Manager (AM)
Actor	Alert Manager (AM)
Role	Receives Dissemination Status from the Alert Communicator (AC)

1300

3.7.3 Referenced Standards

WCTP version 1.3 update 1

ISO/IEEE 11073-10201 Domain Information Model

ISO/IEEE 11073-10101 Nomenclature

1305 IEC 60601-1-8 Medical electrical equipment -- Part 1-8: General requirements for basic safety and essential performance -- Collateral standard: General requirements, tests and guidance for alarm systems in medical electrical equipment and medical electrical systems

The communication protocol is WCTP, the same as for the Disseminate Alert [PCD-06] transaction. See Appendix K, Message Transport Using WCTP (ACM Transactions PCD-06 and PCD-07) for details.

1310

3.7.4 Interaction Diagrams

3.7.4.1 Alert Communicator status updates to Alert Manager

The Alert Communicator sends Dissemination Status to the Alert Manager. The protocol utilized is WCTP.

1315 3.7.4.2 Trigger Events

The Alert Communicator has determined a dissemination status update needs to be sent to the Alert Manager.

The following table lists the results of the dissemination from the Alert Communicator back to the Alert Manager. The required Communication Status Enumerations are indicated.

1320

Table 3.7.4.2-1: Status Enumerations

Usage	Communication Status Enumeration
R	Received by communications (accepted by WCTP gateway)
O	Undeliverable to endpoint Optional in support of one-way devices, such as pagers.
O	Delivered to endpoint Optional in support of one-way devices, such as pagers.
O	Read at endpoint Optional in support of one-way devices, such as pagers.
O	Accepted by endpoint Optional in support of one-way devices, such as pagers.
O	Accepted by endpoint as true positive
O	Accepted by endpoint as true positive however not clinically relevant
O	Accepted by endpoint as false positive
O	Rejected by endpoint Optional in support of one-way devices, such as pagers.
O	Cancelled by endpoint
O	Cancelled by other than endpoint
O	Callback start at endpoint See Appendix K for WCTP messaging details. Optional as not supported by all notification devices.
O	Callback end at endpoint See Appendix K for WCTP messaging details. Optional as not supported by all notification devices.
O	Completed by endpoint operator Optional in support of one-way devices, such as pagers.

A single PCD-04 to PCD-06 transaction may go through multiple communications status updates as the alert is communicated to the endpoint user or application. Which of the status updates are possible depend on the capabilities of the Alert Communicator and endpoint. Some endpoint

1325 devices are output only and do not support two-way capabilities, while other devices and services offer transmission confirmation. More advanced communications endpoints offer two-way capabilities allowing the operator of the endpoint to accept or cancel the alert.

1330 Detailed reason for status can optionally be included in the WCTP errorText element to account for messages not reaching the endpoint, or being rejected by the endpoint, because the device is known to be offline or in a busy or do not disturb state. See details in WCTP interface specification.

3.7.4.2.1 Message Semantics

This message is used to communicate status updates on the communication of an alert to endpoints. See Appendix K for WCTP messaging specifics.

1335 **3.7.4.2.2 HL7 Conformance Statement**

The communication protocol is WCTP; therefore, there is no specified HL7 conformance.

3.7.4.2.3 PCD-07 Report Dissemination Alert Status static definition

The PCD-07 Dissemination Status message is used to communicate ACM messaging status and replies from an Alert Communicator (AC) to Alert Manager (AM)

1340 The Alert Communicator (AC) is not responsible for indicating that the endpoint operator has received but not responded to the notification – as in sending “delivered to device” status, automatically displayed, which may or may not send back read indication, but no operator interaction. Actions for non-response by the Alert Communicator (AC) endpoint operator (clinical user) (escalation or sending to alternate devices) is within the scope of the Alert Manager (AM). Such actions have been identified within the ACM Profile as out of scope.

1345

The endpoint device message communication protocol between the Alert Communicator and the endpoint device is outside the scope of the profile. The data presentation by the endpoint device is outside the scope of the profile.

The table below lists the data items and their optionality.

1350

Table 3.7.4.2.3-1: PCD-07 static definition

PCD-07	ORU Message	Usage	Card.
Alert_Identifier	Alert unique identifier (see PCD-06)	R	[1..1]
Alert_Status	Communication Status Enumeration item	R	[1..1]
Alert_Information	Information associated with alert content, See Appendix K for WCTP messaging information	O	[0..1]

3.7.4.2.4 Expected Actions

1355 Based upon the status of the delivery or the operator response the Alert Manager may effect changes in its own internal escalation process to select and send the message to a different device associated with the same user or a device associated with a different user.

If the Alert Manager supports the [PCD-05] message then in response to each [PCD-07] message a [PCD-05] message is sent from the Alert Manager to the Alert Reporter to update the Alert Reporter as to alert dissemination status updates and operator responses to the alert [PCD-06] message.

1360 3.7.4.2.5 Security Considerations

1365 This profile while utilizing communication capabilities supportive of authentication, encryption, or auditing, does not impose specific requirements leaving these matters to site-specific policy or agreement. The IHE PCD Technical Framework identifies security requirements across all PCD profiles. During the profile development there were no unusual security/privacy concerns identified. There are no mandatory security controls but the implementer is encouraged to use the underlying security and privacy profiles from ITI that are appropriate to the transports such as the Audit Trail and Node Authentication (ATNA) Profile. The operational environment risk assessment, following ISO 80001, will determine the actual security and safety controls employed.

1370 3.8 [PCD-08] Reserved

3.9 Communicate IDC Observations [PCD-09]

This section corresponds to transaction PCD-09 of the IHE Technical Framework. Transaction PCD-09 is used by the Implantable Device – Cardiac – Reporter and Implantable Device – Cardiac – Consumer Actors.

1375 3.9.1 Scope

In the Communicate IDC Observation transaction, the Implantable Device – Cardiac – Reporter sends the observation as an unsolicited HL7 ORU message to the Implantable Device – Cardiac – Consumer.

3.9.2 Use Case Roles

1380

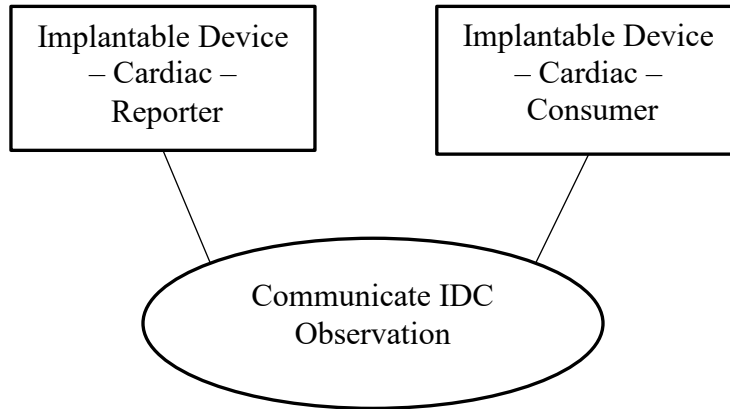


Figure 3.9.2-1: Communicate IDC Observation

Actor	Implantable Device – Cardiac – Reporter
Role	Outputs the Observation as an HL7 ORU message upon completion of the observation. This message contains the discrete data for the observation and/or a PDF document containing displayable data relating to the observation.
Actor	Implantable Device – Cardiac – Consumer
Role	Receives the HL7 ORU message and provides some implementation-specific processing. This may include creation of reports, integration of information into electronic health records, or creation of derived data (trends, analyses, reformatted data, population statistics, etc.). If needed, it will reconcile patient identification using an implementation-specific mapping function.

1385

3.9.3 Referenced Standard

HL7 Messaging Standard v2.6

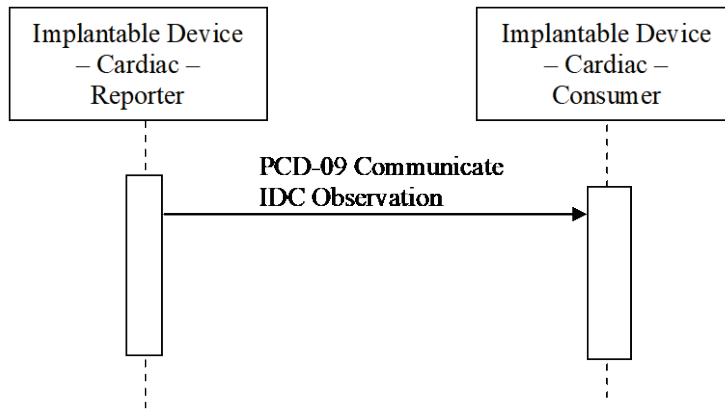
Note: The IDCO is functional with HL7 Messaging Standard v2.5. The only change required is when specifying in the message header which version is being used.

1390 ISO 19005-1. Document management – Electronic document file format for long-term preservation – Part 1: Use of PDF (PDF/A)

UCUM: Unified Code for Units of Measure, Regenstrief Institute for Health Care, Indianapolis 2005. Version 1.6

IEEE 11073_10103 MDC_IDC Nomenclature

1395 **3.9.4 Interaction Diagram**



3.9.4.1 HL7 ORU Observation

This is a standard HL7 v2.6 unsolicited orders and observation message containing the observations taken by the implanted device. Information is coded using the IEEE 11073-10103 IDC Nomenclature.

1400

3.9.4.1.1 Trigger Events

ORU	Observation Results Message	Usage	Card	HL7 Spec Chapter
MSH	Message Header		[1..1]	2
[[SFT]]	Software Segment		[0..1]	2
PID	Patient Identification	Demographics for id matching	[1..1]	3
[PV1]	Patient Visit		[0..1]	3
{	Order Observation Repeat Grouping BEGIN		[1..*]	
OBR	Observations Request	Clinical context	[1..1]	7
[[NTE]]	Notes Section	Notes related to OBR	[0..*]	
{OBX}	Observation results	Observations related to the pulse generator	[0..*]	7
[[NTE]]	Notes Section	Notes Related to OBX	[0..*]	
}	Order Observation Repeat Grouping END			
[DSC]	Continuation Pointer		[0..0]	2

1405 The Implantable Device – Cardiac – Reporter initiates the HL7 ORU message to the Implantable Device – Cardiac – Consumer following an implanted cardiac device interrogation.

3.9.4.1.2 Message Semantics

1410 The message is an unsolicited v2.6 ORU message from the Implantable Device – Cardiac – Reporter to the Implantable Device – Cardiac – Consumer with a corresponding ACK message back to the Implantable Device – Cardiac – Reporter. The contents of the message (in OBX segments) are a required set of individual observations or measurements trans-coded into separate HL7 v2.6 OBX segments and an optional encapsulated PDF document.

Refer to the HL7 v2.6 Standard, Chapter 7 ORU Message for general message semantics.

The constrained message structure is given in Table 3.9.4.1.2-1, with additional details provided in sections below.

1415

Table 3.9.4.1.2-1: ORU Message Structure

ORU	Observation Results Message	Usage	Card	HL7 Spec Chapter
MSH	Message Header		[1..1]	2
[[SFT]]	Software Segment		[0..1]	2
PID	Patient Identification	Demographics for id matching	[1..1]	3
[PV1]	Patient Visit		[0..1]	3
{	Order Observation Repeat Grouping BEGIN		[1..*]	
OBR	Observations Request	Clinical context	[1..1]	7
[NTE]}	Notes Section	Notes related to OBR	[0..*]	
{OBX}	Observation results	Observations related to the pulse generator	[0..*]	7
[NTE]}	Notes Section	Notes Related to OBX	[0..*]	
}	Order Observation Repeat Grouping END			
[DSC]	Continuation Pointer		[0..0]	2

3.9.4.1.2.1 MSH Segment – Message Header

Table 3.9.4.1.2.1-1: MSH Segment

	Seq	DT	Len	Opt	Rep	Min	Max	Tbl	Fixed	Ex Val
Field Separator	1	ST	1	R	False	1	1		Y	
Encoding Characters	2	ST	4	R	False	1	1		Y	^~\&
Sending Application	3	HD	227	RE	False	0	1	0361		
<i>namespace ID</i>	<i>1</i>	IS	20	O		0	1	0300		APP NAME
Sending Facility	4	HD	227	RE	False	0	1	0362		

	Seq	DT	Len	Opt	Rep	Min	Max	Tbl	Fixed	Ex Val
<i>namespace ID</i>	1	IS	20	O		0	1	0300		VENDOR NAME
Receiving Application	5	HD	227	RE	False	0	1	0361		
<i>namespace ID</i>	1	IS	20	O		0	1	0300		CLINIC APPLICATION
Receiving Facility	6	HD	227	RE	False	0	1	0362		
<i>namespace ID</i>	1	IS	20	O		0	1	0300		CLINIC ID
Date/Time Of Message	7	TS	26	R	False	1	1			
<i>time</i>	1	DTM	24	R		1	1			20040328134623.1234+0300
Message Type	9	MSG	15	R	False	1	1			
<i>message code</i>	1	ID	3	R		1	1	0076	Y	ORU
<i>trigger event</i>	2	ID	3	R		1	1	0003	Y	R01
<i>message structure id</i>	3	ID	3	R		1	1	0003	Y	ORU_R01
Message Control ID	10	ST	20	R	False	1	1			1234567890
Processing ID	11	PT	3	R	False	1	1			
<i>processing ID</i>	1	ID	1	R		1	1	0103	Y	P
Version ID	12	VID	971	R	False	1	1			
<i>version ID</i>	1	ID	5	R		1	1	0104	Y	2.6

Note: Field names are in Roman type, relevant component names within a field are listed underneath in italic type.

1420

3.9.4.1.2.2 PID Segment – Patient Identification

Table 3.9.4.1.2.2-1: PID Segment

Name	Seq	DT	Len	Opt	Rep	Min	Max	Tbl	Fixed Val	Ex Val
Set ID - PID	1	SI	4	O		0	1			
Patient Identifier List	3	CX	250	R	True	1	*			
<i>ID number</i>	1	ST	199	R		1	1			MODEL:XXX/SERIAL:XXX
<i>Assigning authority</i>	4	HD	227	R		1	1	0363		BSC

Name	Seq	DT	Len	Opt	Rep	Min	Max	Tbl	Fixed Val	Ex Val
<i>identifier type code</i>	5	ID	5	O		0	1	0203		U
Patient Name	5	XPN	294	RE	True	1	*			
<i>family name</i>	1	FN	194	O		0	1			DOE
<i>given name</i>	2	ST	30	O		0	1			JOHN
<i>second and further given names or initials thereof</i>	3	ST	30	O		0	1			S
<i>suffix (e.g., JR or III)</i>	4	ST	20	O		0	1			JR
Date/Time of Birth	7	TS	26	RE	False	0	1			
<i>time</i>	1	DTM	24	RE		1	1			19600328
Administrative Sex	8	IS	1	RE	False	0	1	0001		M
Patient Address	11	XAD	513	RE	True	0	*			
<i>street address</i>	1	SAD	184	O		0	1			12345 Some Street
<i>other designation</i>	2	ST	120	O		0	1			Apartment 123
<i>city</i>	3	ST	50	O		0	1			Town
<i>state or province</i>	4	ST	50	O		0	1			MN
zip or postal code	5	ST	12	O		0	1			12345
country	6	ID	3	O		0	1	0399		USA

Note: Field names are in Roman type, relevant component names within a field are listed underneath in italic type.

1425 PID-3.1 Patient Identifier List

1430 ID Number contains a unique identifier for the patient assigned by the Implantable Device – Cardiac – Reporter. Identifier Type Code is constrained by Table 0203 listed below (others can be included as defined in the 2.6 standard). The first identifier will always be the unique model/serial number of the implanted device with an identifier of type U (see table following). This will be used by the Implantable Device – Cardiac – Consumer / Repository to match the device interrogations with the patient accounts. Assigning Authority will be a unique name of the Implantable Device – Cardiac – Reporter system or owning organization that creates the observation and will be coded using the MDC_IDC Nomenclature, MDC_IDC_DEV_MFG term.

1435

Table 3.9.4.1.2.2-2: HL7 Table 0203

Code	Description	Notes	Usage
U	Model and Serial Number of Device IEEE 11073_10103 MDC_IDC_DEV_MODEL and MDC_IDC_DEV_SERIAL	Model and Serial number will be concatenated together and will be unique within an Assigning Authority. The format of the ID will be following: "model:xxx/serial:yyy" Example: model:XZY987/serial:abc123	R
SS	Patient Social Security Number	Social Security number will be included if known.	RE

3.9.4.1.2.3 PV1 Segment – Patient Visit (Optional)**Table 3.9.4.1.2.3-2: PV1 Segment**

Name	Seq	DT	Len	Opt	Rep	Min	Max	Tbl	Fixed Value	Ex Val
Set ID - PV1	1	SI	4	O	False	0	1			I
Patient Class	2	IS	1	R	False	1	1	0004		R
Attending Doctor	7	XCN	309	O	True	0	*	0010		
<i>ID number</i>	<i>1</i>	ST	15	O		0	1			MWEL BY
<i>family name</i>	<i>2</i>	FN	194	O		0	1			Welby
<i>given name</i>	<i>3</i>	ST	30	O		0	1			Marcus
<i>second and further given names or initials thereof</i>	<i>4</i>	ST	30	O		0	1			A
<i>suffix (e.g., JR or III)</i>	<i>5</i>	ST	20	O		0	1			III
<i>prefix (e.g., DR)</i>	<i>6</i>	ST	20	O		0	1			DR
Visit Number	19	CX	250	O	False	0	1			
<i>ID number</i>	<i>1</i>	ST	15	O		0	1			123456

Note: Field names are in Roman type, relevant component names within a field are listed underneath in italic type.

1440

Because this is an unsolicited observation and the Implantable Device – Cardiac – Reporter will not be aware of an associated order, this segment is optional. The Implantable Device – Cardiac – Reporter may want to track the interrogation as a visit using this segment. If information is provided here it will match corresponding information provided in the OBX segments.

1445

PV1-7 Attending Doctor will optionally be captured by the Implantable Device – Cardiac – Reporter. If present, PV1-7.1 Attending Doctor ID Number will be a unique identifier for each

doctor in the context of the Implantable Device – Cardiac – Reporter, not the Implantable Device – Cardiac – Consumer.

1450 PV1-19 Visit Number, ID Number will be a unique identifier generated by the Implantable Device – Cardiac – Reporter for each visit.

3.9.4.1.2.4 OBR Segment – Observation Request

1455 The ORU message may include discrete OBX segments for individual observations reported. An OBR Segment will be used for each set of such OBX segments to establish the equipment context for the observations (i.e., whether the interrogation was done in-clinic or remote). All observation dates and times reported here should match OBX segments that report the same information.

Table 3.9.4.1.2.4-1: OBR Segment

Name	Seq	DT	Len	Opt	Rep	Min	Max	Tbl	Fixed Val	Ex Val
Set ID – OBR	1	SI	4	O	False	0	1			1
Placer Order Number	2	EI	424	O	False	0	1			
<i>entity identifier</i>	<i>1</i>	ST	199	O		0	1			
Filler Order Number	3	EI	424	R	False	1	1			
<i>entity identifier</i>	<i>1</i>	ST	199	O		0	1			123456
Universal Service Identifier	4	CWE	478	R	False	1	1			
<i>identifier</i>	<i>1</i>	ST	20	R		1	1			Remote
<i>text</i>	<i>2</i>	ST	199	O		0	1			
Observation Date/Time	7	TS	26	C	False	0	1			
<i>time</i>	<i>1</i>	DTM	24	R		1	1			20040328 134623.1 234+0300
Observation End Date/Time	8	TS	26	O	False	0	1			
<i>time</i>	<i>1</i>	DTM	24	R		1	1			20040328 134623.1 234+0300
Results Rpt/Status Chng - Date/Time	22	TS	26	C	False	0	1			
<i>Time</i>	<i>1</i>	DTM	24	R		1	1			20040328 134623.1 234+0300
Result Status	25	ID	1	C	False	0	1	0123		F

Note: Field names are in Roman type, relevant component names within a field are listed underneath in italic type.

- 1460 OBR-2 Placer Order Number will usually be empty given that this is an unsolicited order.
- OBR-3 Filler Order Number will contain a unique identifier for the observation / interrogation session generated by the Implantable Device – Cardiac – Reporter.
- OBR-4.1-2 Universal Service ID, Identifier and Text can identify unique OBR segments that partition observations. The values for this field will be taken from the 11073_10103 MDC_IDC_SESS_TYPE enumerator MDC_IDC_ENUM_SESS_TYPE.
- 1465 OBR-25 Result Status values will be one of the values in Table 3.9.4.1.2.4-2.

Table 3.9.4.1.2.4-2: Result Status

Value	Description
R	Results stored; not yet verified
P	Preliminary: A verified early result is available, final results not yet obtained
F	Final results; results stored and verified. Can only be changed with a corrected result.
C	Correction to results

3.9.4.1.2.5 OBX Segments – Pulse Generator and Lead Observation Results

- 1470 Discrete OBX segments for individual observations will be encoded into separate OBX segments as individual observations or measurements. These OBX segments will be preceded by an appropriate OBR segment (see 3.9.4.1.2.4) to set the context for observations dealing with the implantable devices or leads.

Table 3.9.4.1.2.5-1: OBX Segment

Name	Seq	DT	Len	Opt	Rep	Min	Max	Tbl	Fixed Value	Ex Val
Set ID - OBX	1	SI	4	R	False	1	1			1
Value Type	2	ID	3	R	False	1	1	0125		CWE
Observation Identifier	3	CWE	478	R	False	1	1			
<i>identifier</i>	<i>1</i>	ST	20	R		1	1			720897
<i>text</i>	<i>2</i>	ST	199	O		0	1			MDC_IDC_DEV_TYPE
<i>name of coding system</i>	<i>3</i>	ID	20	R		1	1	0396		MDC
<i>Observation Sub-ID</i>	<i>4</i>	ST	20	RE	False	0	1			1
<i>Observation Value</i>	<i>5</i>	varies	9999 9	RE	True	0	*			ICD

Name	Seq	DT	Len	Opt	Rep	Min	Max	Tbl	Fixed Value	Ex Val
source application	1	ST	10	RE		0	1		Y	
type of data										
Units	6	CWE	478	RE	False	0	1			
<i>identifier</i>	<i>1</i>	ST	20	RE		0	1			
<i>text</i>	<i>2</i>	ST	199	O		0	1			
Abnormal Flags	8	IS	5	O	True	0	*	0078		
Observation Result Status	11	ID	1	R	False	1	1	0085		
Date/Time of the Observation	14	TS	26	RE	False	0	1			
<i>time</i>	<i>1</i>	DTM	24	RE	0	0	1			20070422170125
Observation Method	17	CWE	478	O	True	0	*			
<i>identifier</i>	<i>1</i>	ST	20	R		1	1			
<i>text</i>	<i>2</i>	ST	199	R		1	1			
Equipment Instance Identifier	18	EI	424	O	True	0	*			
<i>entity identifier</i>	<i>1</i>	ST	199	O		0	1			

1475

Note: Field names are in Roman type, relevant component names within a field are listed underneath in italic type.

OBX-1 Set ID – This field contains the sequence number.

OBX-2 Value Type – The HL7 data type of the Observation Value will depend on the P11073_10103 term data type, as shown in Table 3.9.4.1.2.5-2.

Table 3.9.4.1.2.5-2: IEEE to HL7 Data Type Matching

Applicable IEEE 11073 MDC_IDC types	HL7 v2 data type
String	ST
Enumerated	CWE or CNE
Date Time	DTM
Numeric	NM
Structured Numeric	SN (See Note)

1480

Note: Note: The Structured Numeric type (SN) is used for numeric terms that require qualifications. SN types may be qualified as >Num1 or <Num1 to express a ‘greater than’ or ‘less than’ relationship using the ‘comparator’ character > or < respectively. Alternatively, a numeric ratio between two values Num1 and Num2 may be expressed using the Separator/Suffix characters ‘/’ (solidus) or ‘.’ (either character may be used).

- 1485 OBX-3.1 Observation Identifier, Identifier shall be <Code> [numeric] as defined in Annex C.3 ‘Expanded Terms’ of IEEE 11073-10103 (see 3.9.3 Referenced Standards).
- OBX-3.2 Observation Identifier, shall be <Reference ID> as defined in Annex C.3 ‘Expanded Terms’ in IEEE 11073-10103 (see 3.9.3 Referenced Standards)
- 1490 OBX-3.3 Observation Identifier, Name of Coding System shall be MDC to reference the group of medical device communication standards (IEEE 11073-1010x)
- OBX-4 Observation Sub-ID – If a value is provided here the embedded PDF will contain data related to a specific episode or EGM being referenced via grouping to other episode related data elements having the same Sub-ID in OBX-4 inside this message.
- OBX-5 Observation Value – This is the actual value of the observation.
- 1495 If OBX-2 is of type CWE then
- OBX-5.1 shall be <Code> [numeric] as defined in Annex D.3 ‘enumerations’ or Annex E.3 ‘vendor enumerations’ of IEEE 11073-10103 (see 3.9.3 Referenced Standards) .
- OBX-5.2 shall be <Enumerator Identifier>_<EnumerationCode [mnemonic]> as defined in Annex D.3 ‘enumerations’ or Annex E.3 ‘vendor enumerations’ in IEEE 11073-10103 (see 3.9.3 Referenced Standards)
- 1500 OBX-5.3 shall be MDC to reference the group of medical device communication standards (IEEE 11073-1010x)
- OBX-5.9 may contain the according Display Name as defined in Annex D.3 ‘enumerations’ or Annex E.3 ‘vendor enumerations’ of IEEE 11073-10103 (see 3.9.3 Referenced Standard) or an equivalent (maybe more compact) localized display name. If the vendor has implemented vendor-specific extensions (per IEEE 11073-10103 Sections 8 and A.4) than OBX-5.9 is required. This display name should only be used by the receiving system as a reference or if the Identifier in OBX-5.1 is unknown to the receiver (e.g., for proprietary vendor content). Generation and localization of display in the receiving system shall always be preferred.
- 1505
- 1510 OBX-6 Unit – Will be coded with the MDC_IDC Nomenclature (based on UCUM) Unit for associated observation.
- OBX-8 Abnormal Flags – This field will contain a code from the extended User-defined Table 0078 – Abnormal Flags as specified below.

Table 3.9.4.1.2.5-3: User-defined Table – 078 Abnormal Flags

Value	Extended Value?	Description	Comment
NI	Yes	No information. There is no information which can be inferred from this exceptional value.	No value is provided in OBX-5.
NAV	Yes	Temporarily not available. Information is not available at this time but it is expected that it will be available later.	No value is provided in OBX-5.

Value	Extended Value?	Description	Comment
OFF	Yes	Numeric measurement function is available but has been deactivated by user.	No value is provided in OBX-5.
>	N	Above absolute high-off instrument scale.	Provide the high-off instrument scale number in OBX-5 if available.
<	N	Below absolute low-off instrument scale.	Provide the low-off instrument scale number in OBX-5 if available.

1515

OBX-11 Observation Result Status – This field holds the value from the table *HL7 Table 0085 - Observation result status codes interpretation*. Valid values are following: F, P, R, S, & X. The value N or X denotes a missing or null value, and in this case the OBX-5 will be empty.

1520

OBX-14 Date/Time of Observation – This field is required when the observation reported is different from the OBR report header. If an observation method is reported in OBX-17 the date will represent end date/time of the reported time interval.

OBX-18 Equipment Instance Identifier – A unique identifier for the equipment or software that was responsible for the production of the observation

3.9.4.1.2.6 IEEE 1073.1.1.3 IDC term mapping to OBX segment

1525

In the IEEE 11073_10103 MDC_IDC nomenclature for Observation Identifiers (OBX-3) each term is discrete, self-descriptive and maps to one OBX segment. Refer to the IEEE 11073_10103 MDC_IDC standard for information concerning the IDC nomenclature.

3.9.4.1.2.7 OBX Segment with Encapsulated PDF or Reference Pointer to External Report [Optional]

1530

Optionally, observations or additional analyses may be provided in an encapsulated PDF containing displayable information or as a reference pointer to an external report.

Table 3.9.4.1.2.7-1: OBX Segment

Name	Seq	DT	Len	Opt	Rep	Min	Max	Tbl	Fixed Value	Ex Val
Set ID - OBX	1	SI	4	R	False	1	1			
Value Type	2	ID	2	R	False		1	0125	Y	ED
Observation Identifier	3	CWE	478	R	False	1	1			
<i>identifier</i>	<i>1</i>	ST	20	R		1	1		Y	18750-0
Text	2	ST	199	R		1	1		Y	Cardiac Electrophysiology Report
<i>name of coding system</i>	3	ID	20	R		0	1	0396	Y	LN

Name	Seq	DT	Len	Opt	Rep	Min	Max	Tbl	Fixed Value	Ex Val
Observation Sub-ID	4	ST	20	RE	False	0	1			1
Observation Value	5	ED	99999	R	True	1	*			Encapsulated PDF
<i>source application</i>	<i>1</i>	ST	10	RE		0	1		Y	Application
<i>type of data</i>	<i>2</i>	ST	10	RE		0	1		Y	PDF
<i>Encoding</i>	<i>4</i>	ST	10	RE		0	1		Y	Base64
<i>Data</i>	<i>5</i>	ED	*	RE		0	1		Y	Encapsulated and Base64 binary encoded PDF File
Observation Result Status	11	ID	1	R	False	1	1	0085		
Date/Time of the Observation	14	TS	26	RE	False	0	1			
<i>Time</i>	<i>1</i>	DTM	24	R		1	1			20040328134623.1234+0300

Note: Field names are in Roman type, relevant component names within a field are listed underneath in italic type.

1535 OBX-2 If sending an encapsulated PDF the value will be ED. If referencing an external report the value will be RP.

OBX-3 Value is a report ID from the LOINC coding system, and will be set to 18750-0^Cardiac Electrophysiology Report^LN.

1540 OBX-4 If a value is provided here the embedded PDF will contain data related to a specific episode or EGM being referenced via grouping to other episode related data elements having the same Sub-ID in OBX-4 inside this message.

OBX-5 If referencing an external document the Observation Value will contain a reference pointer to the external document.

1545 OBX-5.1 If sending an encapsulated PDF the Type of Data component will have the value "Application"

OBX-5.2 If sending an encapsulated PDF the Data Subtype component will have the value "PDF".

OBX-5.3 Will be empty

1550 OBX-5.4 If sending an encapsulated PDF the Encoding component will have the value "Base64".

OBX-5.5 If sending an encapsulated PDF the Data component contains the encapsulated Base64-encoded PDF/A document in accordance with ISO 19005-1.

Notes: 1. An actor participating in this transaction must support encapsulated data with a length beyond the nominal 65536 byte limit of the OBX-5.

1555

2. The base64 encoded stream must not include CR/LF characters, which are forbidden within HL7 field text streams. Breaking a base64 encoded stream into lines of 76 characters or less is used for email in accordance with RFC822, but is not applicable to encapsulated data in HL7.

The attached PDF or externally referenced report will contain in its content the device ID, patient ID and name if known, and the dates of the procedure and document.

1560

3.9.4.1.2.8 NTE Segment – Notes and Comments [Optional]

Table 3.9.4.1.2.8-1: NTE Segment – Notes and Comments

ELEMENT NAME	SEQ	COMP	DT	LEN	USAGE	CARD	TBL#	Fixed	Ex. Values
Set ID - NTE	1		SI	4	O	[0..1]			1
Source of comment	2		CX	20	O	[0..1]		Y	L
Comment	3		FT	65536	O	[0..*]			

NTE-3 Comments – Contains any notes, comments needed that are not included as part of an observation.

1565

3.9.4.1.3 Expected Actions

3.9.4.1.3.1 Implantable Device – Cardiac – Consumer

The Implantable Device – Cardiac – Consumer will return the standard HL7 acknowledgement message to the Device Observation Creator.

1570

3.9.5 Security Considerations

This profile does not require the use of ATNA. There are several implementation models for this profile that do not require transmission of data over public networks including intra-institutional, VPN, etc. However, when public networks are used, ATNA is one option for secure transport over those networks. It is recommended that the Implantable Device – Cardiac – Reporter be grouped with the Secure Node of the ATNA Profile to secure communications for remote follow-ups if data is sent across an un-trusted network.

1575

Appendix A Mapping ISO/IEEE 11073 Domain Information Model to HL7

Figure A-1: System Package Model represents the system level containment of the 11073 DIM.

1580

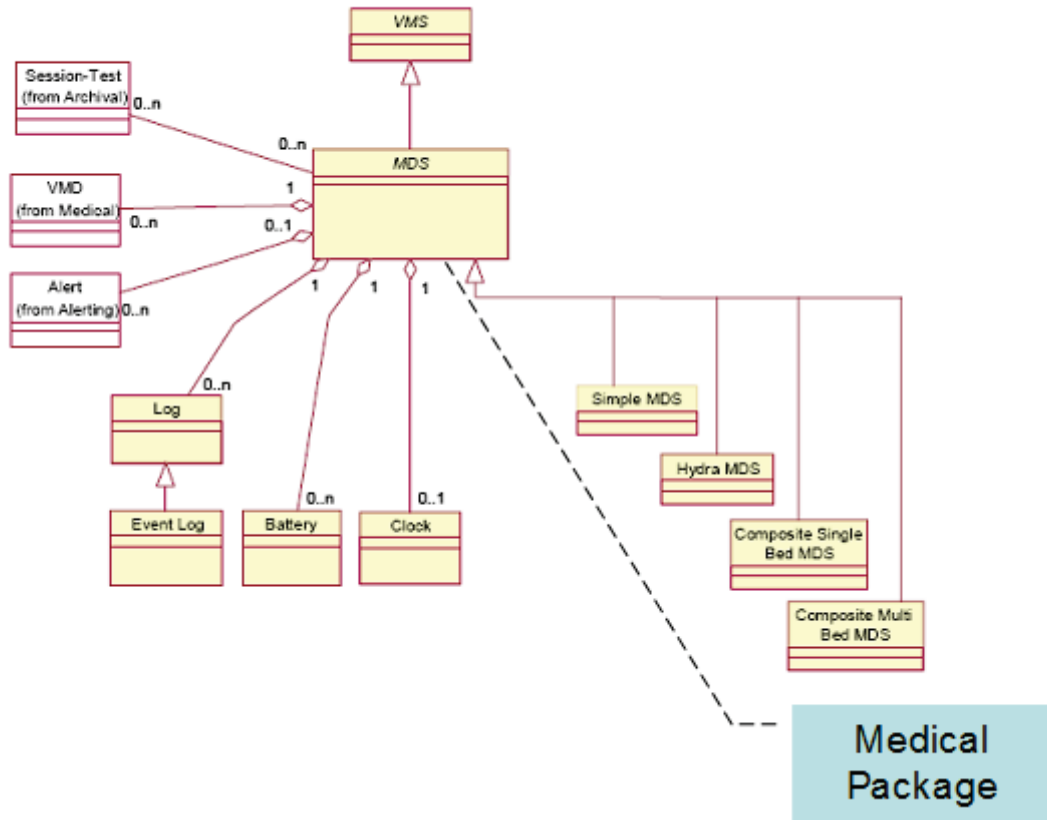


Figure A-1: System Package Model

The mapping from 11073 to HL7 will be described by focusing on the Medical Package defined by the Medical Device System shown in Figure A-1: System Package Model and elaborated in Figure A-2: Medical Package Model.

1585

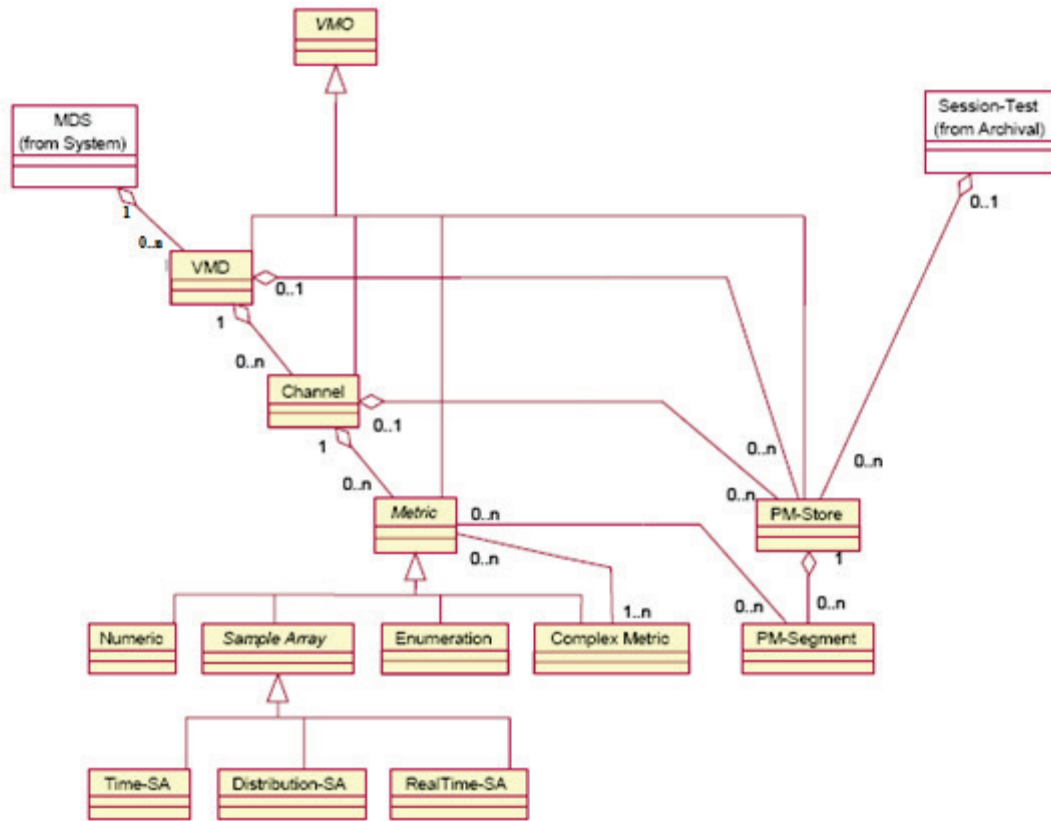


Figure A-2: Medical Package Model

1590 The HL7 OBX segment provides two fields which are used in mapping the objects shown in Figure A-2: Medical Package Model; these are OBX-3 Observation Identifier and OBX-4 Observation Sub-Id.

OBX-3 is expressed as an HL7 Coded Element With Exceptions (CWE) data type and the details of mapping the 11073 MDC to the HL7 CWE datatype are described in Appendix A.1 ISO/IEEE Nomenclature mapping to HL7 OBX-3.

1595 OBX-4 is used to express the containment level of a particular item expressed in OBX-3. This is done by defining the nodes of the <MDS> <VMD> <CHAN> <METRIC> hierarchy of the containment tree as a set of ordinal numbers expressed in a dotted notation such that each OBX-3 is expressed unambiguously in terms of its containment as defined by OBX-4. This may be supplemented by a further level or levels to distinguish attributes or other subordinate structures as may be specified in particular PCD profiles. See under OBX-4 in Appendix B for the details of the "dotted notation" used to express this containment.

1600

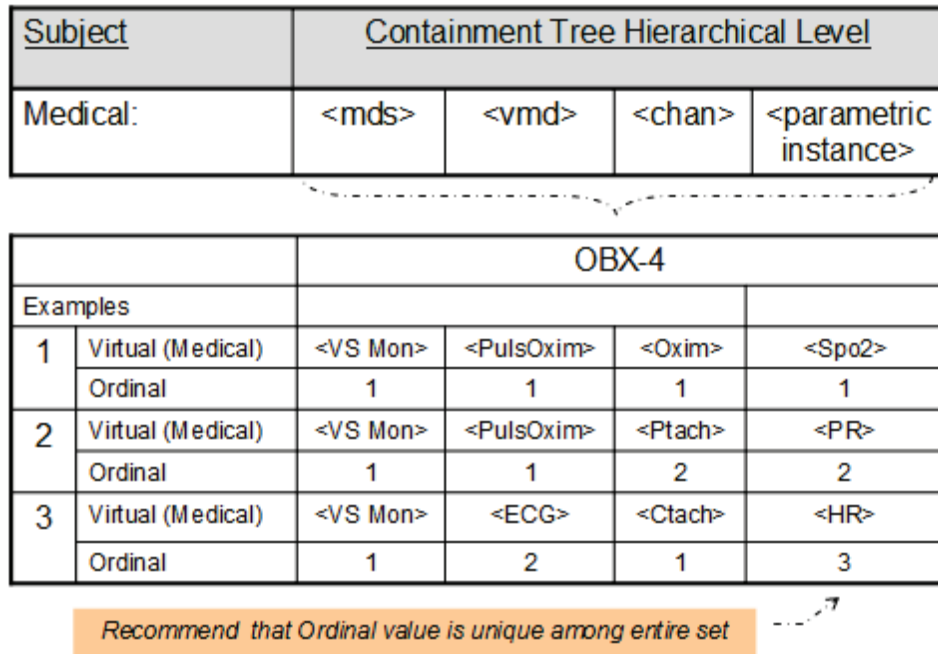


Figure A-3: Example of Mapping Containment to OBX-4

For example the OBX-4 for the <VS Mon> <ECG> <Ctach> <HR> would be expressed as 1.2.1.3.

- 1605 NOTE: The ordinal numbers in an OBX-4 are not normative for a given parameter (identified in OBX-3) and may vary between implementations. Each OBX-4 Sub-Id must be unique within a given containment and message but the numbers and mappings may change between messages. In OBX-2 the valid HL7 types for the mapping are NM, ST, SN, CWE, CF (String may have some implied structure)
- 1610 The specification of the containment tree provides a mechanism to address dynamic configuration of a PCD. For example, a patient monitor may have one or more "plug-ins" which may be added to and removed from the patient monitor as the patient's clinical condition changes. These should be individually identifiable by a unique device instance identifier. When a plug-in is removed, the ordinal numbers previously assigned to that plug-in should be reserved.
- 1615 Addition of a new plug-in with a different unique device instance identifier shall result in the assignment of ordinal numbers which have not been reserved. Replacement of the "known" plug-in after its removal shall result in the re-assignment of the same reserved ordinal number to the plug-in that it formerly had. If the DOR system cannot distinguish individual instances of a module, it may treat modules that are functionally equivalent as though they were the same module for the purposes of the above scheme.
- 1620

A.1 ISO/IEEE Nomenclature mapping to HL7 OBX-3

The ISO/IEEE Nomenclature provides an unambiguous coding which is mapped to HL7 OBX-3 as follows:

HL7 OBX-3 is of type CWE consisting of:

1625

Table A.1-1: HL7 Component Table - CWE - Coded With Exceptions

SEQ	LEN	DT	Usage	Card.	TBL#	Component Name	Comments	Sec Ref
1	20	ST	R	[1..1]		Identifier	Nomenclature Code	2.A.74
2	199	ST	R	[1..1]		Text	Reference ID	2.A.74
3	20	ID	R	[1..1]	0396	Name of Coding System	"MDC"	2.A.35
4	20	ST	RE	[0..1]		Alternate Identifier		2.A.74
5	199	ST	RE	[0..1]		Alternate Text		2.A.74
6	20	ID	RE	[0..1]	0396	Name of Alternate Coding System		2.A.35
7	10	ST	X	[0..0]		Coding System Version ID		2.A.74
8	10	ST	X	[0..0]		Alternate Coding System Version ID		2.A.74
9	199	ST	X	[0..0]		Original Text		2.A.74

Definition: This data type transmits codes and the text associated with the code.

Maximum Length: 705

Where:

Nomenclature Code is the string representation of the decimal value corresponding to the context free 32 bit representation of the Nomenclature Code

1630

[context-free] Nomenclature Code = (Code Block number * 2**16) + [context-sensitive], where [context-sensitive] is an offset, reflecting a particular variant of an associated "discriminator". The Reference ID is also modified to reflect the variant.

For example, for the "Device Type" Nomenclature, the Device Type discriminator is as follows:

Ref ID variant	Description	Term Code Offset
DEV	Not otherwise specified	0
MDS	Medical Device System	1
VMD	Virtual Medical Device	2
CHAN	Channel	3

- 1635 Nomenclature codes are obtained from IEEE-11073-10101 Medical Device Communications – Nomenclature where available. Additional codes that are not yet standardized are contained in the Rosetta Terminology Mapping (see IHE PCD Technical Framework Volume 3).
- The context-free nomenclature code for a term in code block number 1 whose term code=4104 is equal to $((1 * 2^{**16}) + 4104) = 1*65536 + 4104 = 69640$ (which uniquely identifies the SpO2 monitor term) with a Reference ID of MDC_DEV_ANALY_SAT_O2. The context-sensitive form for the variant "MDS" is "MDC_DEV_ANALY_SAT_O2_MDS (appending the suffix "MDS"), and the Term Code is $69640+1 = 69641$ (adding the Term Code Offset to the base Term Code).
- The OBX-3 representation is "69641^MDC_DEV_ANALY_SAT_O2_MDS^MDC"
- 1645 The Virtual Medical Device variants are: MDC_DEV_ANALY_SAT_O2_VMD 69642, and "69642^MDC_DEV_ANALY_SAT_O2_VMD^MDC" in OBX-3 representation.
- To distinguish between periodic and aperiodic data, map from the IEEE 11073 Metric Access to HL7 and code in OBX-17. This is used where you want to distinguish periodic, aperiodic etc. Metric Category also provides distinction between manual and automatic.
- 1650 Examples of device data (as opposed to patient data) that may be included to allow a receiving system to have a better record of the nature and status of a device are:
- MDC_ATTR_SYS_TYPE is used to describe the type of the PCD such as monitor, ventilator, infusion pump, and shall be mapped at the MDS level in the OBX with the value described by OBX-3.
- 1655 MDC_ATTR_ID_MODEL is used to provide device vendor/model and shall be mapped at the MDS level in the OBX with the value described by OBX-3.
- The unique identification of the particular instance of the device is put in OBX-18.
- MDC_ATTR_VMS_MDS_STAT describes states - disconnected, configuring, operating, terminating, disassociated, reconfiguring.
- 1660 For PCDs with complex operation states such as an infusion pump with a set of states like "Stopped", "Infusing Primary", "Infusing Secondary", "Bolus", etc., or a ventilator with states "Standby", "Ventilating", etc., the Device Operational Status Enumeration Object is mapped to OBX-3.
- See the Rosetta Terminology Mapping documents referenced in IHE PCD Technical Framework Vol. 3 for further examples of device data.
- 1665

Appendix B Common Segment Descriptions

B.1 MSH – Message Header Segment

See HL7 v2.6: chapter 2 (2.14.9)

1670 This segment defines the intent, source, destination, and some specifics of the syntax of a message.

Table B.1-1: MSH - Message Header

SEQ	LEN	DT	Usage	Card.	TBL#	Element name
1	1	ST	R	[1..1]		Field Separator
2	4	ST	R	[1..1]		Encoding Characters
3	227	HD	R	[1..1]	0361	Sending Application
4	227	HD	RE	[0..1]	0362	Sending Facility
5	227	HD	RE	[0..1]	0361	Receiving Application
6	227	HD	RE	[0..1]	0362	Receiving Facility
7	24	DTM	R	[1..1]		Date/Time of Message
8	40	ST	X	[0..0]		Security
9	15	MSG	R	[1..1]		Message Type
10	199	ST	R	[1..1]		Message Control Id
11	3	PT	R	[1..1]		Processing Id
12	60	VID	R	[1..1]		Version ID
13	15	NM	RE	[0..1]		Sequence Number
14	180	ST	X	[0..0]		Continuation Pointer
15	2	ID	R	[1..1]	0155	Accept Acknowledgement Type
16	2	ID	R	[1..1]	0155	Application Acknowledgement Type
17	3	ID	RE	[0..1]	0399	Country Code
18	16	ID	RE	[0..1]	0211	Character Set
19	705	CWE	RE	[0..1]		Principal Language of Message
20	20	ID	X	[0..0]	0356	Alternate Character Set Handling Scheme
21	427	EI	O	[0..1]		Message Profile Identifier
22	567	XON	X	[0..0]		Sending Responsible Organization
23	567	XON	X	[0..0]		Receiving Responsible Organization
24	227	HD	X	[0..0]		Sending Network Address
25	227	HD	X	[0..0]		Receiving Network Address

MSH-1 Field Separator

1675 The IHE PCD Technical Framework requires that applications support HL7-recommended value that is | (ASCII 124).

MSH-2 Encoding Characters

1680 This field contains the four characters in the following order: the component separator, repetition separator, escape character, and subcomponent separator. The IHE PCD Technical Framework requires that applications support HL7-recommended values ^~\& (ASCII 94, 126, 92, and 38, respectively).

MSH-3 Sending Application (HD)

Components: <Namespace ID (IS)> ^ <Universal ID (ST)> ^ <Universal ID Type (ID)>

1685 The intention of this field is to uniquely identify the software application implementing the PCD actor sending this message. For valid methods of accomplishing this, see Hierarchic Designator (HD) Data Type, Appendix Section C.6.

MSH-4 Sending Facility

Components: <Namespace ID (IS)> ^ <Universal ID (ST)> ^ <Universal ID Type (ID)>

1690 For the IHE PCD Technical Framework, when populated, this field shall be implemented as:

First component (required): Namespace ID. The name of the organizational entity responsible for the DOR, typically the provider institution or department operating the DOR.

1695 Second component (optional): The Universal ID (see HL7 v. 2.7 Ch. 2) of the organizational entity responsible for the DOR.

Third component (optional): The Universal ID Type. The codification of these three components is entirely site-defined. It may be detailed in the national extensions of this framework.

MSH-5 Receiving Application (HD)

1700 Components: <Namespace ID (IS)> ^ <Universal ID (ST)> ^ <Universal ID Type (ID)>

For the IHE PCD Technical Framework, when populated, this field shall be implemented as:

First component (required): Namespace ID. The name of the organizational entity responsible for the receiving application.

1705 Second component (optional): The Universal ID (see HL7 v. 2.7 Ch. 2) of the organizational entity responsible for the receiving application.

Third component (optional): The Universal ID Type. The codification of these three components is entirely site-defined. It may be detailed in the national extensions of this framework.

1710 This field is not required for IHE PCD compliance, but should be populated at the option of the organization operating the system if the field serves a desired function, such as facilitating the routing of messages.

MSH-6 Receiving Facility

Components: <Namespace ID (IS)> ^ <Universal ID (ST)> ^ <Universal ID Type (ID)>

1715 For the IHE PCD Technical Framework, when populated, this field shall be implemented as:

First component (required): Namespace ID. The name of the organizational entity responsible for the receiving facility.

1720 Second component (optional): The Universal ID (see HL7 v. 2.7 Ch. 2) of the organizational entity responsible for the receiving facility.

Third component (optional): The Universal ID Type. The codification of these three components is entirely site-defined. It may be detailed in the national extensions of this framework.

MSH-7 Date/Time of Message:

1725 The IHE PCD TF requires this field be populated with:

Format: YYYY[MM[DD[HH[MM[SS[.S[S[S[S]]]]]]]]][+/-ZZZZ]

1730 Time zone qualification of the date/time is required. The IHE PCD TF uses the IETF RFC3339 “Unknown Local Offset Convention” to make it possible to distinguish between the case where UTC is the preferred reference point for the specified, denoted with +0000, and the case where the UTC time is known, but the offset to local time is unknown, denoted with -0000. This distinction is sometimes important in devices.

1735 MSH-7 shall be used only to provide time a message is created by the sending system, which is different from, and not be interpreted as, the time an observation is taken. See B.8.7 Time Stamps and Time Synchronization for a discussion of general considerations on time stamps in IHE PCD messages.

MSH-9 Message Type

Components: <Message Code (ID)> ^ <Trigger Event (ID)> ^ <Message Structure (ID)>

Definition: This field contains the message type, trigger event, and the message structure ID for the message. All three components are required.

1740 Its content is defined within each transaction-specific section of this document.

For PCD-01, this field must contain ORU^R01^ORU_R01.

The PCD PIV Profile requires that this field be valued as follows:

- RGV^O15^RGV_O15 for the IOP to IOC message that initiates the PCD-03 transaction
 - ACK^O15^ACK for the IOC to IOP accept acknowledgment message
 - RRG^O16^RRG_O16 for the IOC to IOP application acknowledgment message
 - ACK^O16^ACK for the IOP to IOC acknowledgment of the IOC to IOP application acknowledgment message
- 1745

- For PCD-04, this field must contain ORU^R40^ORU_R40.
- For PCD-05, this field must contain ORU^R42^ORU_R42.

1750

MSH-10 Message Control Id

1755

Definition: This field contains a number or other identifier that uniquely identifies the message. Each message should be given a unique identifier by the sending system. The receiving system shall echo this ID back to the sending system in the Message Acknowledgment segment (MSA). The combination of this identifier and the name of the sending application (MSH-3) shall be unique across the Healthcare Enterprise.

MSH-11 Processing ID:

Components: <Processing ID (ID)> ^ <Processing Mode (ID)>

1760

Definition: This data type indicates whether to process a message as defined in HL7 Application (level 7) processing rules.

The IHE PCD-TF requires the first component Processing ID be valued based on HL7 Table 0103. Use of the second component Processing Mode is optional but if used is based on HL7 Table 0207.

1765

The value in production systems should be P (Production). When it is desired to recognize and isolate test data, the value D (Debugging) may be used.

MSH-12 Version ID

Components: <Version ID (ID)> ^ <Internationalization Code (CWE)> ^ <International Version ID (CWE)>

1770

Definition: This field is matched by the receiving system to its own version to be sure the message will be interpreted correctly.

The PCD TF is based on HL7 V2.6. Where specific elements of later versions are required, they have been used and their usage flagged.

Although HL7 allows international affiliate versions to be specified the IHE PCD-TF uses only the core version (first component of the field).

1775

MSH-13 Sequence Number (ID), required but may be empty:

Definition: A non-null value in this field implies that the sequence number protocol is in use. The sequence number protocol is not used in IHE PCD.

MSH-15 Accept Acknowledgement Type

1780

Definition: This field identifies the conditions under which accept acknowledgments are required to be returned in response to this message. Required. Refer to HL7 Table 0155 - Accept/application acknowledgment conditions for valid values. The receiving system must send (or not send) acknowledgements as specified by this field.

In PCD-01, PCD-04, and PCD-05 transactions, this field shall be valued as AL.

In PCD-03 transactions, see Section 3.3.4.4.1

1785 MSH-16 Application Acknowledgement Type

Definition: This field identifies the conditions under which application acknowledgments are required to be returned in response to this message. Required for enhanced acknowledgment mode. Refer to HL7 Table 0155 - Accept/application acknowledgment conditions for valid values. The PCD TF requires that this field be valued as NE for PCD-01, PCD-04, and PCD-05 transactions. The receiving system must send (or not send) acknowledgements as specified by this field.

For PCD-03 transactions, see Section 3.3.4.4.1

MSH-17 Country Code

1795 Definition: This field contains the country of origin for the message. It will be used primarily to specify default elements, such as currency denominations. The values to be used are those of ISO 3166. The ISO 3166 table has three separate forms of the country code: HL7 specifies that the 3-character (alphabetic) form be used for the country code.

MSH-18 Character Set (ID)

1800 Definition: This field contains the character set for the entire message. Refer to HL7 Table 0211 - Alternate character sets for valid values.

An HL7 message uses field MSH-18-character set to specify the character set(s) in use. Valid values for this field are specified in HL7 Table 0211, "Alternate Character Sets". MSH-18-character set may be left blank, or may contain a single value. If the field is left blank, the character set in use is understood to be the 7-bit ASCII set, decimal 0 through decimal 127 (hex 00 through hex 7F). This default value may also be explicitly specified as ASCII.

1810 Any encoding system, single-byte or multi-byte, may be specified as the default character encoding in MSH-18-character set. If the default encoding is other than 7-bit ASCII, sites shall document this usage in the dynamic conformance profile or other implementation agreement. This is particularly effective in promoting interoperability between nations belonging to different HL7 Affiliates, while limiting the amount of testing required to determine the encoding of a message.

See HL7 V2.6 for the semantics for alphabetic languages other than English (2.15.9.18.1) and for non-alphabetic languages (2.15.9.18.2)

1815 The PCD TF requires this field to be valued if the character set is other than ASCII. If the character set is ASCII the field may be null or have the value of ASCII. A single character set is required for a given message.

MSH-19 Principal Language of Message

1820 Components: <Identifier (ST)> ^ <Text (ST)> ^ <Name of Coding System (ID)> ^ <Alternate Identifier (ST)> ^ <Alternate Text (ST)> ^ <Name of Alternate Coding System (ID)>

Definition: This field contains the principal language of the message. Codes come from ISO 639.

The PCD uses a default of en^English^ISO639 if the field is empty.

1825 **MSH-21 Message Profile Identifier**

Components: <Entity Identifier (ST)> ^ <Namespace ID (IS)> ^ <Universal ID (ST)>
 ^<Universal ID Type (ID)>

1830

For PCD TF, this field is required in non-ACK messages to allow identification of a specific message profile, particularly for testing purposes (it is superfluous and therefore not required in ACK messages). PCD message profiles are assigned ISO OIDs by the PCD Technical Committee and the appropriate Message Profile Identifiers are to be used here in conformant messages. When multiple message profiles are listed in this field they should be (vendor specific, country specific) constraints of the PCD profile. Note that the overriding of PCD profile constraints is only allowed in national extensions to this framework.

1835

Assigned OIDs for PCD messages (note that for convenience of reference this table includes OIDs for some messages that are not yet in Final Text status and are therefore not described in this Final Text Technical Framework document):

Assigned OID	PCD Message
1.3.6.1.4.1.19376.1.6.1.1.1	Device to Enterprise Communications PCD-01 Communicate PCD Data message (also used for observations in response to a PCD-02 PCD Data Query)
1.3.6.1.4.1.19376.1.6.1.2.1	Device to Enterprise Communications PCD-02 PCD Data Query
1.3.6.1.4.1.19376.1.6.1.3.1	Point-of-care Infusion Verification PCD-03 Communicate Infusion Order message
1.3.6.1.4.1.19376.1.6.1.3.2	Point-of-care Infusion Verification RRG^O16^RRG_O16 Pharmacy/Treatment Give Acknowledgment Message
1.3.6.1.4.1.19376.1.6.1.9.1	Implantable Device - Cardiac Communicate IDC Observations
1.3.6.1.4.1.19376.1.6.1.4.1	Alert Communication Management PCD-04 Report Alert message
1.3.6.1.4.1.19376.1.6.1.5.1	Alert Communication Management PCD-05 Report Alert Status message
1.3.6.1.4.1.19376.1.6.1.6.1	Alert Communication Management (PCD-06) Disseminate Alert
1.3.6.1.4.1.19376.1.6.1.7.1	Alert Communication Management (PCD-07) Report Alert Dissemination Status

1840

The ISO OID in the table should be used as the universal ID (EI-3). The Universal ID Type (EI-4) for ISO OIDs is “ISO”. In IHE PCD profiles, the Entity Identifier (EI-1) is optional and may contain a human-readable name for the profile in the form “IHE_PCD_XXX” where XXX identifies the IHE PCD transaction, for example, IHE_PCD_001 for PCD-01. Namespace Identifier (EI-2) is also optional, but may contain “IHE PCD” to identify the source of the profile for a human reader. It is emphasized that these suggested values are only for human readability and shall play no role in processing. Processing which depends on the Message profile identifier in the receiving application or in a test system shall base its recognition of the profile solely on the ISO OID (Universal ID, EI-3).

1845

1850

Example: IHE_PCD_001^IHE PCD^1.3.6.1.4.1.19376.1.6.4.4.1^ISO

B.2 MSA – Message Acknowledgement Segment

See HL7 v2.6: chapter 2 (2.14.8)

This segment contains information sent while acknowledging another message.

1855

Table B.2-1: MSA - Message Acknowledgement

SEQ	LEN	DT	Usage	Card.	TBL#	Element name
1	2	ID	R	[1..1]	0008	Acknowledgement code
2	20	ST	R	[1..1]		Message Control Id
3	80	ST	X	[0..0]		Text Message
5	1	ID	X	[0..0]		Delayed Acknowledgment Type
6	705	CWE	X	[0..0]	0357	Error Condition

MSA-1 Acknowledgment Code

This field indicates the result of the processing of the message it is acknowledging.

Table B.2-2: HL7 table 0008 - Acknowledgement code

Value	Description	Comment
CA	Enhanced mode: Accept acknowledgment: Commit Accept	The message has been reviewed and accepted.
CE	Enhanced mode: Accept acknowledgment: Error	The message has been rejected for an error.
CR	Enhanced mode: Accept acknowledgment: Commit Reject	The message has been rejected by the receiving system
AA	Original mode Application Acknowledgment:Accept. Enhanced mode: Application acknowledgement: Accept	The receiving system accepted and integrated the message.
AR	Original mode Application Acknowledgment:Reject. Enhanced mode: Application acknowledgement: Reject	The receiving system rejected the message
AE	Original mode Application Acknowledgment: Error. Enhanced mode: Application acknowledgement: Error	The receiving system rejected the message for an error.

1860

MSA-2 Message Control ID

Definition: This field contains the message control ID from the MSH-10 - Message Control ID of the incoming message for which the acknowledgement is sent.

MSA-3 Text Message

1865

See the ERR segment.

B.3 ERR – Error Segment

HL7 v2.6, Chapter 2 (2.14.5)

This segment is used to add error comments to acknowledgment messages.

Table B.3-1: ERR - Error segment

SEQ	LEN	DT	Usage	Card.	TBL#	Element name
1	493	ELD	B	[0..1]		Error Code and Location
3	705	CWE	R	[1..1]	0357	HL7 Error Code
4	2	ID	R	[1..1]	0516	Severity
5	705	CWE	RE	[0..1]	0533	Application Error Code
6	80	ST	C	0..1		Application Error Parameter

1870

Notes: ERR-1 is included in HL7 v2.6 for backward compatibility only. Within the context of IHE PCD, this field shall not be used.

ERR-3 and ERR-4 are required by HL7 v2.6

1875

Use of Error Segment in the PIV Profile. This list of error codes that can occur during the processing of a PCD-03 message is consolidated from participating pump vendors. The application acknowledgment from the IOC should contain the Code and Text in ERR-5.1 and ERR-5.2 respectively. ERR-5.9 can also be used to contain additional text related to the error.

Note that there should be no expectation that each pump vendor or pump model will support all of the codes in this list.

1880

Code	Text	Example
9001	Unknown infuser or channel	e.g., incorrect infuser or channel ID
9002	Infuser/channel is currently infusing	
9003	Missing required program parameter(s) (ParameterName1, ParameterName2, ...)	e.g., Give Amount Minimum (RXG-5) - volume to be infused - is missing
9004	Invalid program parameter(s) (ParameterName1, ParameterName2, ...)	e.g., volume units are not mL
9005	Parameter (ParameterName) outside of allowable range (MinValue to MaxValue)	e.g., ordered rate greater than pump maximum
9006	Infuser is powered off	
9007	Infuser is offline or unable to connect to infuser	e.g., infuser not on network or weak wireless signal

Code	Text	Example
9008	Invalid units for parameter (ParameterName)	e.g., Give Strength Volume Units (RXG-24) contains a medication unit value instead of volume units
9009	Dose/Rate Units do not match drug library	e.g., ordered units = mL/hr; drug library units =mcg/kg/min
9010	Unable to match medication to drug library	e.g., Medication does not exist in drug library
9011	Patient weight mismatch	e.g., patient weight known by pump differs from weight sent in PCD-03
9012	Patient ID mismatch	e.g., patient ID known by pump differs from ID sent in PCD-03
9013	Unable to program medication as piggyback	e.g., medication not configured for piggyback administration in drug library
9014	Dose rate or VTBI exceeds maximum	e.g., greater than pump maximum
9015	Request timed out	
9016	Other error	Used when other errors are not applicable
9017	Infuser cannot accept program	Infuser is in a state where it cannot accept program; e.g., alarming or in standby
9018	Parameter (ParameterName) does not match drug library	e.g., Give Strength Units (RXG-18) = mg, drug library = mEq
9019	Patient weight missing	Drug is weight-based or BSA-based, but patient weight OBX is missing
9020	Patient height missing	Drug is BSA-based, but patient height OBX is missing
9021	Care area or profile mismatch	Care area or profile not cleared on pump; or pump is set to a different care area
9022	Requested infusion program is stale	The value of ORC.9 is older than what the IOC will allow to program the pump
9023	Program rejected by user	Program rejected by user prior to starting infusion

Code	Text	Example
9024	Drug library hard limit exceeded	e.g., dose exceeds maximum allowable for medication
9025	Lockout interval missing	Lockout Interval is required when Patient Dose is present
9026	Dose limit missing	PCA dose limit is required but missing
9027	Patient BSA missing	Drug is BSA-based but BSA OBX is missing
9028	Tubing, cassette, or syringe not installed on pump	Used when required by pump
9029	Care area or profile not selected	Used when required by pump
9030	Current medication cannot be interrupted	Medication on primary cannot be interrupted by a piggyback
9031	Patient ID missing or invalid	
9032	Pump is in delayed start	
9033	Pump is alarming	

ERR-5 Application Error Code

1885 Application specific codes for infusion-related errors resulting from a PCD-03 transaction, identifying the specific error that occurred, are given in the IHE PCD Application Error Table. New codes may be added from time to time through the IHE Change Proposal Process. The IHE PCD website should be consulted for the latest approved table (<http://wiki.ihe.net/index.php?title=PumpErrorCodes>).

ERR-6 Application Error Parameter

1890 Additional information to be used with application specific codes calling for the input of Parameter names or values as called for in the IHE PCD Application Error Table.

B.4 NTE - Notes and Comment Segment

HL7 v2.6 : chapter 2 (2.4.10)

This segment is used for sending notes and comments.

1895 The IHE PCD Technical Framework limits the use of this segment to only one purpose: to comment the observations and the orders. Therefore, in the messages of this Integration Profile, NTE segments appear only following either OBR or OBX segments.

Information that can be coded in OBX segments or OBR segments shall not be sent in a NTE segment.

Detail of the fields used by the NTE segment in the PCD Observation Message is given below.

1900 **Table B.4-1: NTE - Notes and Comment segment**

SEQ	LEN	DT	Usage	Card.	TBL#	Element name
1	4	SI	R	[1..1]		Set ID – NTE
2	8	ID	X	[0..0]		Source of Comment
3	65536	FT	RE	[0..1]		Comment
4	705	CWE	X	[0..0]		Comment Type
5	3220	XCN	X	[0..0]		Entered by
6	24	DTM	X	[0..0]		Entered Date/Time
7	24	DTM	X	[0..0]		Expiration Date

NTE-1 Set ID

This field may be used where multiple NTE segments are used in a message. Their numbering must be described in the application message definition.

1905 **NTE-3 Comment**

This field contains the text of the comment. This text may be formatted. In order to delete an existing comment, the field shall contain empty quotation marks: "".

Comment text of identical type and source shall be included in the same occurrence of an NTE segment, and not be split over multiple segments.

1910 **NTE Notes and Comment Segment in PCD-04 Message**

By site-specific agreement between implementers of the Alert Reporter and Alert Manager Actors, additional information not provided for in other segments may be included in the NTE Notes and Comment segments. Site or system specific indications are optionally passed in this manner to the Alert Manager for use by its message dispatching logic, or to pass additional information through the Alert Manager to the Alert Communicator to communications endpoints.

1915

Optional ad-hoc annotation text to be included in the alert notification text message sent from the ACM Alert Manager to the ACM Alert Communicator is to be included in an occurrence of an NTE segment in association with the OBX segment which identifies the alert indication. This text doesn't replace any alert notification text synthesized by the ACM AM from alert data provided to the ACM Alert Manager by the PCD-04 Report Alert message.

1920

Table B.4-2: HL7 Attribute Table – NTE – Notes and Comment

SEQ	LEN	DT	OPT	RP/#	TBL#	ELEMENT NAME
3	65536	FT	O	Y		Comment

1925 **NTE-3 Comment (FT)**

This field contains the comment conveyed by the segment.

B.5 PID - Patient Identification segment

HL7 v2.6: chapter 3 (3.4.2)

1930 The PID segment is used by all applications as the primary means of communicating patient identification information. This segment contains permanent patient identifying and demographic information that, for the most part, is not likely to change frequently.

1935 Patient Care Devices or gateway systems providing PCD observation reports are not ordinarily primary interfaces for detailed patient demographic information. Another information system such as a master patient index will generally be the source of authoritative information sent in the PID segment. Getting this data is out of scope for this IHE PCD Technical Framework: IHE Information Technology Infrastructure Technical Framework should be consulted for standards-based means for tracing a feed of ADT events (Patient Identify Feed) or querying this information based on information available at the point of care such as a bar-code scan of a patient identity wristband (Patient Data Query). In the context of the IHE Patient Care domain, 1940 this general problem is referred to as Patient Identity Binding and has been the subject of a Technical Framework Supplement in the past. At present, this data requirement is delegated to IHE Information Technology Infrastructure profiles.

1945 Reliable patient identity information is essential for correctly associating Patient Care Device data with the patient, which is obviously critical for safe and effective treatment. Consequently, unique identifiers and additional confirmatory factors such as patient name are listed as required by this profile.

Table B.5-1: PID - Patient Identification segment

SEQ	LEN	DT	Usage	Card.	TBL#	Element name
1	4	SI	X	[0..0]		Set ID - PID
2	20	CX	X	[0..0]		Patient ID
3	250	CX	C	[0..6]		Patient Identifier List
4	20	CX	X	[0..0]		Alternate Patient ID - PID
5	250	XPN	C	[0..6]		Patient Name
6	250	XPN	RE	[0..1]		Mother's Maiden Name
7	24	DTM	RE	[0..1]		Date/Time of Birth
8	1	IS	RE	[0..1]	0001	Administrative Sex
9	250	XPN	X	[0..0]		Patient Alias
10	705	CWE	RE	[0..1]	0005	Race

SEQ	LEN	DT	Usage	Card.	TBL#	Element name
11	250	XAD	RE	[0..1]		Patient Address
12	4	IS	RE	[0..1]	0289	County Code
13	250	XTN	RE	[0..2]		Phone Number - Home
14	250	XTN	X	[0..1]		Phone Number - Business
15	705	CWE	RE	[0..1]	0296	Primary Language
16	705	CWE	RE	[0..1]	0002	Marital Status
17	705	CWE	RE	[0..1]	0006	Religion
18	705	CX	RE	[0..1]		Patient Account Number
19	16	ST	X	[0..0]		SSN Number - Patient
20	25	DLN	RE	[0..1]		Driver's License Number - Patient
21	705	CX	RE	[0..1]		Mother's Identifier
22	705	CWE	RE	[0..1]	0189	Ethnic Group
23	705	ST	RE	[0..1]		Birth Place
24	1	ID	RE	[0..1]	0136	Multiple Birth Indicator
25	2	NM	RE	[0..1]		Birth Order
26	705	CWE	RE	[0..1]	0171	Citizenship
27	705	CWE	RE	[0..1]	0172	Veterans Military Status
28	705	CWE	RE	[0..1]	0212	Nationality
29	24	DTM	RE	[0..1]		Patient Death Date and Time
30	1	ID	RE	[0..1]	0136	Patient Death Indicator
31	1	ID	RE	[0..1]	0136	Identity Unknown Indicator
32	20	IS	RE	[0..1]	0445	Identity Reliability Code
33	24	DTM	RE	[0..1]		Last Update Date/Time
34	241	HD	RE	[0..1]		Last Update Facility
35	705	CWE	RE	[0..1]	0446	Species Code
36	250	CWE	C	[0..1]	0447	Breed Code
37	80	ST	C	[0..1]		Strain
38	705	CWE	RE	[0..2]	0429	Production Class Code
39	705	CWE	RE	[0..1]	0171	Tribal Citizenship

1950 The following describes the IHE PCD usage of those fields which have a usage other than X in the above table and have IHE PCD usage notes added to the general definitions in the HL7 2.6 standard.

PID-3 Patient Identifier List

1955 Definition: This field contains the list of identifiers (one or more) used by the healthcare facility to uniquely identify a patient (e.g., medical record number, billing number, birth registry, national unique individual identifier, etc.). In Canada, the Canadian Provincial Healthcare Number is used in this field.

- 1960 Component PID-3.1 (in terms of the CX data type, CX-1) "ID number", is required except where noted under particular transactions. PID-3.4 (CX-4) "Assigning authority", and PID-3.5 (CX-5) "Identifier Type Code" are required for each identifier if they are known (for example if they are ordinarily included in ADT messages at the institution), but may be empty if they are not known. See Appendix CX Data Type. Note that PID-3.4 is an Entity Identifier data type, so it may have subcomponents.
- 1965 The workflow and mechanism by which patient identification is bound to the data from a particular PCD device is outside of the scope of the IHE PCD Framework. Common implementations employ either automated or manual entry based on information provided by an authoritative source of patient identity.
- 1970 The IHE PCD recognizes that it is critical for data to be associated with the correct patient, thus the general rule that at least PID-3 and PID-5 be available for at least two-factor patient identification, but that there are also situations like emergency admissions where it may be desirable to collect data before an authoritative patient identification is available, for later association with the patient's other data. Only after appropriate study, risk analysis, and defined risk mitigation measures determined by the provider institution in consultation with the manufacturers of the systems involved, a defined method for deferred association of patient data could be designed. In such a case, these fields, instead of being populated with authoritative patient identity information, could be populated with agreed-on special values (like an automatically generated "stat admit" patient identifier and a well-known special value in PID-5 indicating the temporary situation) pending the later human-validated merging of the data.
- 1975
- 1980 The IHE PCD recognizes that for some use cases, such as medication administration, additional identification information or other patient demographic information is required in addition to an organizationally assigned unique identifier. Patient name, date of birth, gender, and other information are commonly used to provide the additional patient identification context for these use cases. Additional patient demographic information is provided by the fields of the PID segment and the patient location, which is often a key element in PCD communications, is provided in the PV1-3 element.
- 1985
- PID-5 Patient Name**
- 1990 Definition: This field contains the names of the patient; the primary or legal name of the patient is reported first. Therefore, the name type code in this field should be "L - Legal" if such a name is available. If no name is available, the name type code should be "U – unspecified", and the other components should be empty. All other codes in HL7 Table 0200 – Name Type are also acceptable. Note that "last name prefix" is synonymous to "own family name prefix" of previous versions of HL7, as is "second and further given names or initials thereof" to "middle initial or name". Multiple given names and/or initials are separated by spaces.
- 1995 The workflow and mechanism by which patient name is bound to the data from a particular PCD device is outside of the scope of this version of the IHE PCD Framework. Common implementations employ either automated or manual entry based on information provided by an authoritative source of patient identity. The workflow and

2000 transactions to bind patient name are included on the IHE PCD Roadmap for consideration in future versions of the IHE PCD Framework.

See Appendix C.8 XPN Type for further information.

PID-6 Mother’s Maiden Name

Definition: This field contains the family name under which the mother was born (i.e., before marriage). It is used to distinguish between patients with the same last name.

2005 See Appendix C.8 XPN Type for further information.

PID-7 Date/Time of Birth

See Appendix C.4, DTM – date/time for further information on how the specification of times in IHE PCD differs from the HL7 v. 2.6 representation

PID-8 Administrative Sex

2010 Definition: This field contains the patient’s sex. Refer to HL7 User-defined Table 0001 - Administrative Sex for suggested values.

Table B.5-2: HL7 User-defined Table 0001 - Administrative Sex

Value	Description	Comment
F	Female	
M	Male	
O	Other	
A	Ambiguous	
N	Not applicable	

PID-10 Race (CWE)

2015 Definition: This field refers to the patient’s race. Refer to User-defined Table 0005 - Race for suggested values. The second triplet of the CWE data type for race (alternate identifier, alternate text, and name of alternate coding system) is reserved for governmentally assigned codes.

Table B.5-3: HL7 User-defined Table 0005 - Race

Value	Description	Comment
1002-5	American Indian of Alaska Native	
2028-9	Asian	
2054-5	Black or African American	
2076-8	Native Hawaiian of Other Pacific Islander	
2106-3	White	
2131-1	Other Race	

2020

PID-11 Patient Address

2025 Components: <Street Address (SAD)> ^ <Other Designation (ST)> ^ <City (ST)> ^ <State or Province (ST)> ^ <Zip or Postal Code (ST)> ^ <Country (ID)> ^ <Address Type (ID)> ^ <Other Geographic Designation (ST)> ^ <County/Parish Code (IS)> ^ <Census Tract (IS)> ^ <Address Representation Code (ID)> ^ <Address Validity Range (DR)> ^ <Effective Date (DTM)> ^ <Expiration Date (DTM)>

2030 Subcomponents for Street Address (SAD): <Street or Mailing Address (ST)> & <Street Name (ST)> & <Dwelling Number (ST)>

Subcomponents for Address Validity Range (DR): <Range Start Date/Time (DTM)> & <Range End Date/Time (DTM)>

Subcomponents for Range Start Date/Time (DTM): <Time (DTM)> & <Degree of Precision (ID)>

2035 Subcomponents for Range End Date/Time (DTM): <Time (DTM)> & <Degree of Precision (ID)>

Subcomponents for Effective Date (DTM): <Time (DTM)> & <Degree of Precision (ID)>

Subcomponents for Expiration Date (DTM): <Time (DTM)> & <Degree of Precision (ID)>

2040 Definition: This field contains the mailing address of the patient. Address type codes are defined by HL7 Table 0190 - Address Type. The PCD only requires the first, third, fourth, and fifth components to be valued with the mailing address and the Address Type to be valued as M.

PID-13 Phone Number – Home

2045 Definition: This field contains the patient’s personal phone numbers. This data type is usually in a repeatable field, to allow a list of numbers. The PCD requires the sequence to be the primary number (for backward compatibility). The PCD constrains this field to 2 repetitions to allow for a phone number and an email address.

See Appendix XTN Data Type for further information.

PID-15 Primary Language

See HL7 V2.6 Section 3.4.2.15 for details. The PCD TF requires the use of ISO639 for the codes.

2050 **PID-16 Marital Status**

See HL7 V2.6 Section 3.4.2.16 for details. The PCD TF does not further constrain this field.

PID-17 Religion

2055 See HL7 V2.6 Section 3.4.2.17 for details. The PCD TF does not further constrain this field.

PID-18 Patient Account Number

See HL7 V2.6 Section 3.4.2.18 for details. The PCD TF does not further constrain this field. Additional requirements may be documented in Regional or National appendices to the IHE PCD Technical Framework.

2060 **PID-20 Driver’s License Number – Patient**

See HL7 V2.6 Section 3.4.2.20 for details. The PCD TF does not further constrain this field.

PID-21 Mother's Identifier

2065

See HL7 V2.6 Section 3.4.2.21 for details. The PCD TF does not further constrain this field.

PID-22 Ethnic Group:

See HL7 V2.6 Section 3.4.2.22 for details. The PCD TF does not further constrain this field.

PID-23 Birth Place

2070

See HL7 V2.6 Section 3.4.2.23 for details. The PCD TF does not further constrain this field.

PID-24 Multiple Birth Indicator

See HL7 V2.6 Section 3.4.2.24 for details. The PCD TF does not further constrain this field.

2075

PID-25 Birth Order

See HL7 V2.6 Section 3.4.2.25 for details. The PCD TF does not further constrain this field.

PID-26 Citizenship

2080

See HL7 V2.6 Section 3.4.2.26 for details. The PCD TF does not further constrain this field.

PID-27 Veterans Military Status

See HL7 V2.6 Section 3.4.2.27 for details. The PCD TF does not further constrain this field.

PID-28 Nationality

2085

See HL7 V2.6 Section 3.4.2.28 for details. The PCD TF does not further constrain this field.

PID-29 Patient Death Date and Time

Definition: This field contains the date and time at which the patient death occurred.

See Appendix DTM – date/time for PCD constraints.

2090

PID-30 Patient Death Indicator

See HL7 V2.6 Section 3.4.2.30 for details. The PCD TF does not further constrain this field.

PID-31 Identity Unknown Indicator

2095 Definition: This field indicates whether or not the patient's/person's identity is known. Refer to HL7 Table 0136 - Yes/No Indicator for valid values.

- Y the patient's/person's identity is unknown
- N the patient's/person's identity is known

See HL7 V2.6 Section 3.4.2.31 for details. The PCD TF does not further constrain this field.

2100 **PID-32 Identity Reliability Code**

See HL7 V2.6 Section 3.4.2.32 for details. The PCD TF does not further constrain this field.

PID-33 Last Update Date/Time

2105 Definition: This field contains the last update date and time for the patient's/person's identifying and demographic data, as defined in the PID segment. Receiving systems will use this field to determine how to apply the transaction to their systems. If the receiving system (such as an enterprise master patient index) already has a record for the person with a later last update date/time, then the EMPI receiving system could decide not to apply the patient's/person's demographic and identifying data from this transaction.

2110 See Appendix DTM – date/time for PCD constraints.

PID-34 Last Update Facility

See HL7 V2.6 Section 3.4.2.34 for details. The PCD TF does not further constrain this field.

PID-35 Species Code

2115 See HL7 V2.6 Section 3.4.2.35 for details. The PCD TF does not further constrain this field.

PID-36 Breed Code

See HL7 V2.6 Section 3.4.2.36 for details. The PCD TF does not further constrain this field.

2120 **PID-37 Strain**

See HL7 V2.6 Section 3.4.2.37 for details. The PCD TF does not further constrain this field.

PID-38 Production Class Code

2125 See HL7 V2.6 Section 3.4.2.38 for details. The PCD TF does not further constrain this field.

PID-39 Tribal Citizenship (CWE)

See HL7 V2.6 Section 3.4.2.39 for details. The PCD TF does not further constrain this field.

B.5.1 PID Segment requirements for ACM Transaction PCD-04

2130 This segment is required to be present and is populated with data used to identify the patient associated with the alert in the case where the identity is available from the Alert Source system. If the patient identification is not available from the Alert Source system, the alert may be location source based per ACM use case A1 in which case the PV1 segment identifies the location associated with the alert. Additional information may be present to more unambiguously
 2135 identify the patient.

Table B.5.1-1: HL7 Attribute Table – PID – Patient Identification

SEQ	LEN	DT	OPT	RP/#	TBL#	ELEMENT NAME
3	250	CX	O	Y		Patient Identifier List
5	250	XPN	O	Y		Patient name
7	26	TSO	O			Date/Time of Birth
8	1	IS	O			Administrative Sex

PID-3 Patient Identifier List (CX)

2140 This information may be used by the Alert Manager in the message sent to the Alert Communicator to identify the patient associated with the alert within site specific HIPAA and electronic patient healthcare information policies.

PID-5 Patient Name (XPN)

2145 This information may be used by the Alert Manager in the message sent to the Alert Communicator to identify the patient associated with the alert within site specific HIPAA and electronic patient healthcare information policies. Refer to PID-31 Identity Unknown Indicator for the means to identify that while a PID segment is provided the identity of the patient is unknown.

PID-7 Date/Time of Birth (TSO)

2150 This information may be used by the Alert Manager in the message sent to the Alert Communicator to identify the patient associated with the alert within site specific HIPAA and electronic patient healthcare information policies.

PID-8 Administrative Sex (IS)

2155 This information may be used by the Alert Manager in the message sent to the Alert Communicator to identify the patient associated with the alert within site specific HIPAA and electronic patient healthcare information policies.

PID-31 Identity Unknown Indicator (ID)

Definition: This field indicates whether or not the patient's/person's identity is known. Refer to HL7 Table 0136 - Yes/No Indicator for valid values.

- Y the patient's/person's identity is unknown
- N the patient's/person's identity is known

2160

B.6 PV1 - Patient Visit Segment

See HL7 V2.6 Section 3.4.3 for details.

2165

The PV1 segment is used by Registration/Patient Administration applications to communicate information on an account or visit-specific basis. The default is to send account level data. To use this segment for visit level data PV1-51 - Visit Indicator must be valued to 'V'. The value of PV-51 affects the level of data being sent on the PV1, PV2, and any other segments that are part of the associated PV1 hierarchy (e.g., ROL, DG1, or OBX).

2170

The facility ID, the optional fourth component of each patient location field, is a HD data type that is uniquely associated with the healthcare facility containing the location. A given institution, or group of intercommunicating institutions, should establish a list of facilities that may be potential assignors of patient locations. The list will be one of the institution's master dictionary lists. Since third parties other than the assignors of patient locations may send or receive HL7 messages containing patient locations, the facility ID in the patient location may not be the same as that implied by the sending and receiving systems identified in the MSH. The facility ID must be unique across facilities at a given site. This field is required for HL7 implementations that have more than a single healthcare facility with bed locations, since the same <point of care> ^ <room> ^ <bed> combination may exist at more than one facility.

2175

Details of the PV1 segment as used in the IHE PCD Technical Framework are given in Table B.6-1: HL7 Attribute Table - PV1 - Patient Visit.

2180

Table B.6-1: HL7 Attribute Table - PV1 - Patient Visit

SEQ	LEN	DT	Usage	Card.	TBL#	Element name
1	4	SI	X	[0..0]		Set ID - PV1
2	1	IS	R	[1..1]	0004	Patient Class
3	80	PL	RE	[0..1]		Assigned Patient Location
4	2	IS	X	[0..0]	0007	Admission Type
5	250	CX	X	[0..0]		Preadmit Number
6	80	PL	X	[0..0]		Prior Patient Location
7	250	XCN	X	[0..0]	0010	Attending Doctor
8	250	XCN	X	[0..0]	0010	Referring Doctor
9	250	XCN	X	[0..0]	0010	Consulting Doctor
10	3	IS	X	[0..0]	0069	Hospital Service
11	80	PL	X	[0..0]		Temporary Location
12	2	IS	X	[0..0]	0087	Preadmit Test Indicator
13	2	IS	X	[0..0]	0092	Re-admission Indicator

IHE Patient Care Device Technical Framework, Vol. 2 (PCD TF-2): Transactions

SEQ	LEN	DT	Usage	Card.	TBL#	Element name
14	6	IS	X	[0..0]	0007	Admit Source
15	2	IS	X	[0..0]	0009	Ambulatory Status
16	2	IS	X	[0..0]	0099	VIP Indicator
17	250	XCN	X	[0..0]	0010	Admitting Doctor
18	2	IS	X	[0..0]	0018	Patient Type
19	250	CX	RE	[0..1]		Visit Number
20	50	FC	X	[0..0]	0064	Financial Class
21	2	IS	X	[0..0]	0032	Charge Price Indicator
22	2	IS	X	[0..0]	0045	Courtesy Code
23	2	IS	X	[0..0]	0046	Credit Rating
24	2	IS	X	[0..0]	0044	Contract Code
25	8	DT	X	[0..0]		Contract Effective Date
26	12	NM	X	[0..0]		Contract Amount
27	3	NM	X	[0..0]		Contract Period
28	2	IS	X	[0..0]	0073	Interest Code
29	4	IS	X	[0..0]	0110	Transfer to Bad Debt Code
30	8	DT	X	[0..0]		Transfer to Bad Debt Date
31	10	IS	X	[0..0]	0021	Bad Debt Agency Code
32	12	NM	X	[0..0]		Bad Debt Transfer Amount
33	12	NM	X	[0..0]		Bad Debt Recovery Amount
34	1	IS	X	[0..0]	0111	Delete Account Indicator
35	8	DT	X	[0..0]		Delete Account Date
36	3	IS	X	[0..0]		Discharge Disposition
37	47	DLD	X	[0..0]	0113	Discharged to Location
38	705	CWE	X	[0..0]	0114	Diet Type
39	2	IS	X	[0..0]	0115	Servicing Facility
40	1	IS	X	[0..0]	0116	Bed Status
41	2	IS	X	[0..0]	0117	Account Status
42	80	PL	X	[0..0]		Pending Location
43	80	PL	X	[0..0]		Prior Temporary Location
44	24	DTM	RE	[0..1]		Admit Date/Time
45	24	DTM	X	[0..0]		Discharge Date/Time
46	12	NM	X	[0..0]		Current Patient Balance
47	12	NM	X	[0..0]		Total Charges
48	12	NM	X	[0..0]		Total Adjustments
49	12	NM	X	[0..0]		Total Payments
50	250	CX	X	[0..0]	0203	Alternate Visit ID
51	1	IS	RE	[0..1]	0326	Visit Indicator

PV1-2 Patient Class

2185 Definition: This field is used by systems to categorize patients by site. It does not have a consistent industry-wide definition. It is subject to site-specific variations. Refer to Table B.6-2 HL7 User-defined Table 0004 - Patient Class for IHE PCD suggested values.

Table B.6-2: HL7 User-defined Table 0004 - Patient Class

Value	Description	Comment
E	Emergency	
I	Inpatient	
O	Outpatient	
P	Preadmit	
R	Recurring patient	
B	Obstetrics	
U	Unknown	

PV1-3 Assigned Location

2190 IHE PCD definition: This field contains the patient’s initial assigned location or the location to which the patient is being moved, if known. The first component may be the nursing station for inpatient locations, or clinic or department, for locations other than inpatient.

For IHE PCD usage, see Appendix C.7 PL Data Type.

PV1-19 Visit Number

2195 IHE PCD definition: This field contains the unique number assigned to each patient visit.

PV1-44 Admit Time / Date

2200 HL7 Definition: This field contains the admit date/time. It is to be used if the event date/time is different than the admit date and time, i.e., a retroactive update. This field is also used to reflect the date/time of an outpatient/emergency patient registration. IHE PCD does not further constrain this field.

PV1-51 Visit Indicator

2205 HL7 definition: This field specifies the level on which data are being sent. It is the indicator used to send data at two levels, visit and account. IHE PCD implementations shall send an ‘A’ or no value when the data in the message are at the account level, or ‘V’ to indicate that the data sent in the message are at the visit level.

The value of this element affects the context of data sent in PV1, PV2 and any associated hierarchical segments (e.g., DB1, AL1, DG1, etc.).

B.6.1 PV1 Patient Visit Segment in ACM Transaction PCD-04

2210 This segment is used to identify a patient location associated with the alert. Real Time Location Services (RTLS) or GPS equipment or personnel location information is not passed in this segment. It is passed from the Alert Reporter to the Alert Manager via an OBX segment.

If the Patient Identification (PID) segment is present in the alert data and it contains an identified patient as in ACM use case A2, use a more reliable source of current information, rather than this segment, where possible.

2215 **Table B.6.1-1: HL7 Attribute Table – PV1 – Patient Visit**

SEQ	LEN	DT	OPT	RP/#	TBL#	ELEMENT NAME
3	80	PL	O			Assigned Patient Location

PV1-3 Assigned Patient Location (PL)

2220 This field contains the location associated with the alert. It is typically a location established by an external system such as ADT, as in the patient assigned bed location as used in association with a patient station of a nurse call system. This may not be the current location of the relevant patient.

B.7 OBR – Observation Request segment

2225 In the reporting of clinical data, the Observation Request Segment (OBR) serves as the 'report header' for the ORDER_OBSERVATION segment group, which in its simplest form is an OBR segment followed by a set of OBX segments which represent observations associated with the 'order' represented by the OBR segment. It identifies the observation set represented by the following atomic observations. It includes the relevant ordering information when that applies and many of the attributes that apply to all of the following observations.

A Report Alert [PCD-04] transaction contains at most one alert indication.

2230 The OBR segment is used to uniquely identify the alert indication and the descendent alert status update indications.

Table B.7-1: OBR segment

SEQ	LEN	DT	Usage	Card.	TBL#	Element name
1	4	SI	R	[1..1]		Set ID OBR
2	427	EI	C	[0..1]		Placer Order Number
3	427	EI	R	[1..1]		Filler Order Number
4	705	CWE	R	[1..1]		Universal Service Identifier
5	2	ID	X	[0..0]		Priority - OBR
6	24	DTM	X	[0..0]		Requested Date/Time
7	24	DTM	RE	[0..1]		Observation Date/Time
8	24	DTM	RE	[0..1]		Observation End Date / Time
9	722	CQ	X	[0..0]		Collection Volume
10	3220	XCN	R2	[0..1]		Collection Identifier

OBR-1 Set ID OBR

Definition: For the first order transmitted in each message, the sequence number shall be 1; for the second order, it shall be 2; and so on.

2235 **OBR-2 Placer Order Number**

2240 Definition: This field has the Entity Identifier data type. The first component (EI-1, Entity Identifier) is a string that identifies an individual order (e.g., OBR). It is assigned by the placer (ordering application). It identifies an order uniquely among all orders from a particular ordering application. The second through fourth components contain the application ID of the placing application in the same form as the HD data type. The second component, Namespace ID, is a user-defined coded value that will be uniquely associated with an application. A given institution or group of intercommunicating institutions should establish a unique list of applications that may be potential placers and fillers and assign unique application IDs. The components are separated by component delimiters.

2245 This field is conditionally required as described in HL7, where the placer id may be sent in either the ORC or the OBR segment. If the observation is in response to an order, then the ordering application's placer number and naming system should be returned here. If there is no placer number, for example in a "standing" order that is documented as a hospital specific protocol, then the Device Observation Reporter may assign one and send it here as specified in HL7.

2250 The PCD TF requires at a minimum that Entity Identifier (EI-1) and Namespace ID (EI-2) be valued and recommends that the Namespace Id (EI-2) shall refer to the locally unique application identifier assigned to the Device Observation Reporter application implementing IHE PCD actors which fill the role of an ordering application such as the DOR. In order to avoid conflicting Ids in any context, it is desirable, though not required, that the assigning application be identified according to a Universal ID system by giving a value for Universal ID (EI-3) and Universal ID type (EI-4). If EI-3 and EI-4 are valued, then EI-2 (Namespace ID) is not required.

2260 See Appendix C.5 EI Data Type for further information.

See HL7 V2.6 Section 7.4.1.2 for details. The PCD TF does not further constrain this field.

OBR-3 Filler Order Number

2265 Definition: This field is the order number associated with the filling application. This is a permanent identifier for an order and its associated observations. It is a special case of the Entity Identifier data type. The first component (EI-1, Entity Identifier) is a string that identifies an order detail segment (e.g., OBR). It is assigned by the order filler (receiving) application. This string must uniquely identify the order (as specified in the order detail segment) from other orders in a particular filling application (e.g., patient monitoring gateway). This uniqueness must persist over time. The second through fourth components contain the filler application ID, in the form of the HD data type. The second component

2270

(Namespace ID, EI-2) is a user-defined coded value that uniquely defines the application from other applications on the network. The Namespace ID of the filler order number always identifies the actual filler of an order.

2275 The PCD TF requires that the Universal ID (EI-3) be valued with a Unique ID for the application identifier assigned to the application implementing IHE actors supporting the role of an order filler such as the DOR (Device Observation Reporter). The Universal ID Type (EI-4) shall be valued with the appropriate type notation corresponding to the Unique ID. The preferred Universal ID type for IHE PCD is the EUI-64 code. The
 2280 Universal ID type (EI-4) is then "EUI-64". In cases where an EUI-64 is not available, less preferred Universal IDs for the application may be used as detailed in Appendix C.5 EI Data Type. For compatibility with older receiving systems, the PCD TF recommends that the Entity Identifier (EI-1) be valued with a duplicate of the Universal ID as in EI-3. The
 2285 Namespace ID (EI-2) is not required but for backward compatibility may be valued with a "legacy" locally unique identifier for the filler application.

In the transactions of the Alert Communication Management Profile (PCD-04, PCD-06, PCD-07), this field serves as the unique identifier for status updates to an alert indication identified in OBR-29 Parent. This value is assigned by the Alert Source and is used by
 2290 system actors to associate updates to a particular alert identified in OBR-29 Parent. For the initial indication message of an alert OBR-29 Parent is required to be empty in order to indicate that it is the initial indication for that alert. For all subsequent indications related to the same alert OBR-3 Filler Order Number identifies the unique indication and OBR-29 Parent contains the value from OBR-3 Filler Order Number of the initial alert
 2295 indication. This permits the Alert Manager (AM) and Alert Consumer (ACON) Actors to associate all subsequent indications, such alert phase updates, with the original alert.

OBR-4 Universal Service ID

Definition: This field shall contain the identifier code for the requested observation/test/battery. This can refer to specific existing orders, or nonspecific
 2300 "standing" orders. "Universal" procedure codes from a code set recognized by HL7 should be used when available. Locally defined codes may be used by agreement where standardized codes are not available. Check descriptions of particular PCD transactions for other requirements or recommendations.

When reporting events related to "standing" orders, as is common in patient monitoring, these codes may describe a generic service, for example:

2305 Examples of SNOMED CT (HL7 Universal ID Type SCT) terms appropriate for use in this field:

2310 266706003^Continuous ECG monitoring^SCT
 359772000^glucose monitoring at home^SCT
 182777000^monitoring of patient ^SCT

In some contexts, the service identifier used in this field may usefully contain information on which the receiving system can base decisions about further processing for the

message, including not processing the message if the content is not wanted (e.g., waveform information that the receiving system is not able to use).

- 2315 Local codes are permissible if no appropriate SNOMED CT term can be used, but users of this Technical Framework who encounter a situation where a new type of service related to patient care devices is identified should submit a description of the service to the PCD Technical Committee so that provisional codes can be defined, and permanent codes requested from an appropriate standards development organization.
- 2320 An accepted "legacy" usage is for OBR-4 to contain an EUI-64 identification for the sending system. This was required in previous versions of this Technical Framework. This is acceptable as a local code for a "service" that consists of sending the PCD data that the particular system is configured to send and which is understood by the receiving system, by local agreement.
- 2325 In communications related to infusion orders, the "service" identified in OBR-4 is the substance to be administered: when a device generates a PCD-01 message as a result of a PCD-03 request/order, then the requested Give Code from that order should be reflected back in the OBR-4 field. The sender may use an equivalent code for the same requested item. The sender may not use a code that equates to a different item than what was requested. When the PCD-01 is not related to a PCD-03 order, this code should reflect the service being rendered for the patient (i.e., the medication), when known. If a medication has been selected on the pump, the value of the code will relate to the medication as it is defined in the pump's drug library. As long as the pump drug library is in synch with the receiving system, the value will match the receiving system's code for the substance being administered. If no medication has been selected on the pump, this field can be populated with a local "unknown medication" identifier and description. Alternatively, "999999" can be used as the identifier and "Medication Unknown" can be used as the description.
- 2330
- 2335
- 2340 In the transactions of the Alert Communication Management Profile, this field contains the identifier code for the packaged message content type, such as ALARM, WAVEFORM, EVENT, PROCEDURE, TREND, etc.
- See Appendix A ISO/IEEE 11073 Mapping to HL7 for further details.
- See HL7 V2.6 Section 7.4.1.4 for details related to OBR-4

OBR-7 Observation Date/Time

- 2345 Specifies the time point or start of time interval for all OBX segments within the scope of this OBR segment, that is, OBX segments that are part of the ORDER_OBSERVATION segment group, that do not specify an overriding time point in OBX-14. (The presence of an overriding time point in OBX-14 signals an episodic measurement such as noninvasive blood pressure. The absence of an overriding time point in OBX-14 implies that this is an instance of a periodically sampled observation with a time stamp given by OBR-7. This distinction can also be made explicitly in OBX-17 Observation Method (see entry for that field, below). See also Appendix B.8.7 for a discussion of general
- 2350

considerations concerning time stamps in IHE PCD messages, and Appendix C.4 for details on the time zone offset in the DTM data type in IHE PCD Technical Framework.

2355 **OBR-8 Observation End Date/Time**

If OBR-8 is not specified, OBR-7 specifies the *default time point* for all OBX segments within its scope that do not specify an overriding time point in OBX-14. See also Appendix B.8.7 for a discussion of general considerations concerning time stamps in IHE PCD messages.

2360 If OBR-7 and OBR-8 are both specified, OBR-7 specifies the mathematically ‘closed’ interval boundary at the start of the time interval and OBR-8 specifies the mathematically ‘open’ end of the time interval. The interval [OBR-7, OBR-8) serves as the *default time interval* for all OBX segments within its scope that do not specify an overriding time point in OBX-14.

2365 A single-valued OBX-5 is assumed to occur at time OBR-7 by default, and a multi-valued OBX-5 containing *N* values is assumed to be divided into *N* equal time sub-intervals, with the *Nth* value occurring at the beginning of each time sub-interval.

2370 The default time interval [OBR-7, OBR-8) is equivalent the HL7 V3 representation where inclusive="true" specifies a ‘closed’ boundary and inclusive="false" specifies an ‘open’ boundary for the ten second interval shown below.

```
<effectiveTime>
  <low value="20100101091820.000+0000" inclusive="true" />
  <high value="20100101091830.000+0000" inclusive="false" />
</effectiveTime>
```

2375

OBR-10 Collector Identifier

2380 When a specimen is required for the study, this field is available to identify the person, department, or facility that collected the specimen. Refer to the HL7 v2.6 specification for details of the XCN data type. IHE PCD does not further constrain this field.

OBR-17 Order Callback Phone Number (XTN) 00250

2385 This field is the telephone number for reporting a status or a result using the standard format with extension and/or beeper number when applicable. This can be used to pass the nurse call system patient station telephony call back information to the caregiver. If the structure of the telephony dial string is not known then the call back number should be in the Unformatted Telephone number (ST) component of the field.

OBR-28 Result Copies To (XCN) 00260

2390 This field should not be used in Report Alert [PCD-04] transactions to indicate PIN/Carrier or other recipients for alert dissemination. Instead, the Participant Information (PRT) segment introduced in HL7 v. 2.7 may be used in accordance with its definition in the base standard.

OBR-29 Parent (EIP) 00261

2395 This field serves as the unique identifier for the alert indication in ACM transactions. It is assigned by the Alert Source and is used by system actors to associate all messages from all actors that pertain to a particular alert throughout the history of the alert. So the same value of OBR-29 will be sent by the Alert Source in the messages concerning the start, end, continuation of the alert, and will also be used in status messages from other actors concerning that alert. It may consist of a unique identifier of the device such as an EUI-64 and a serial number or time stamp for the alert, but other forms that are unique among alerts sourced by a particular Alert Reporter are acceptable. An order number sourced by the filling application may be used in the case of an order (Pharmacy or Laboratory) and in this case must also serve to uniquely identify the related alert events. For identification of status updates to an alert indication see OBR-3 Filler order Number.

2400

B.7.1 OBR Observation Request Segment in ACM Transaction PCD-04

2405 A Report Alert [PCD-04] transaction contains at most one alert indication. Additional OBR/OBX segment groupings may appear in the Report Alert [PCD-04] transaction as the inclusion of a Waveform Content Module (WCM) to communicate waveform evidentiary data. See the Waveform Content Module (WCM) document for segment and field details.

2410 The OBR segment is used to uniquely identify the alert indication and the descendent alert status update indications.

Table B.7.1-1: HL7 Attribute Table – OBR – Observation Result

SEQ	LEN	DT	OPT	RP/#	TBL#	ELEMENT NAME
2	22	EI	O			Placer Order Number
3	22	EI	R			Filler Order Number
4	705	CWE	R			Universal Service Identifier
7	24	DTM	RE			Observation Date/Time
16	3220	XCN	O	Y		Ordering Provider
17	250	XTN	O	Y/2		Order Callback Phone Number
28	3220	XCN	O	Y		Result Copies To
29	855	EIP	R			Parent

OBR-2 Placer Order Number (EI) 00216

This field identifies an individual order (e.g., OBR) and is the same as ORC-2.

2415 **OBR-3 Filler Order Number (EI) 00217**

This field serves as the unique identifier for status updates to an alert indication identified in OBR-29 Parent. This value is assigned by the Alert Source and is used by system actors to associate updates to a particular alert identified in OBR-29 Parent.

OBR-4 Universal Service Identifier (CWE) 00238

2420 This field contains the identification of the packaged message content,
196616^MDC_EVT_ALARM^MDC

The original value of ALARM^ALARM is deprecated in favor of the assigned code.

OBR-7 Observation Date/Time (DTM) 00241

2425 This field identifies the point in time at which the Alert Reporter committed itself to
packaging up the Report Alert transaction information to be sent to the Alert Manager.
The alert date and time for initial indications, updates, and endings shall be in the OBX-
14 Observation Date/Time field of the OBX segment associated with the Event
Identification observation. OBR-8 Observation End Date/Time is not used to indicate the
2430 end of an alert since the Alert Report transaction itself is a point in time with zero
duration.

OBR-17 Order Callback Phone Number (XTN) 00250

2435 This field is the telephone number for reporting a status or a result using the standard
format with extension and/or beeper number when applicable. This can be used to pass
the nurse call system patient station telephony call back information to the caregiver. If
the structure of the telephony dial string is not known then the call back number should
be in the Unformatted Telephone number (ST) component of the field.

OBR-28 Result Copies To (XCN) 00260

2440 This field should not be used in Report Alert [PCD-04] transactions to indicate
PIN/Carrier or other recipients for alert dissemination. Instead use the Participant
Information (PRT) segment.

OBR-29 Parent (EIP) 00261

2445 This field serves as the unique identifier for the alert indication. It is assigned by the Alert
Source and is used by system actors to associate all messages from all actors that pertain
to a particular alert throughout the history of the alert. So the same value of OBR-29 will
be sent by the Alert Source in the messages concerning the start, end, continuation of the
alert, and will also be used in status messages from other actors concerning that alert. It
may consist of a unique identifier of the device such as an EUI-64 and a serial number or
time stamp for the alert, but other forms that are unique among alerts sourced by a
2450 particular Alert Reporter are acceptable. An order number sourced by the filling
application may be used in the case of an order (Pharmacy or Laboratory) and in this case
must also serve to uniquely identify the related alerts. For identification of status updates
to an alert indication, see OBR-3 Filler order Number.

B.7.1.1 PRT Participation Information Segment in ACM Transaction PCD-04

2455 A Report Alert [PCD-04] transaction can optionally contain multiple occurrences of the
Participation Information (PRT) segment to indicate additional alert notification
recipients in addition to any alert notification recipients identified internally by the Alert

2460

Manager (AM). Use of the PRT segment is an extraction from HL7 v2.8. However, segment optionality and repeat indications are specific to the PCD-04 message. There is one recipient per PRT segment occurrence. The group of PRT segments optionally identifying the additional recipients is in the PCD-04 message after the OBR segment identifying the alert and before any OBX observation segments associated with the alert.

2465

The content of a PRT segment shall resolve to an unambiguous single recipient, be it an identified person in PRT-5 or a communication endpoint device destination identified by its telecommunication address in PRT-15. If both PRT-5 and PRT-15 are populated the Alert Manager may send the alert notification to additional endpoint communication devices associated with the person identified in PRT-5.

Table B.7.1.1-1: HL7 Attribute Table – PRT – Participation Information

SEQ	LEN	DT	OPT	RP/#	TBL#	ELEMENT NAME
1	1..4	EI	R	N		Participation Instance ID
2	2..2	ID	R		0287	Action Code
3		CWE	O			Action Reason
4		CEW	R		0912	Participation
5		XCN	C	N		Participation Person
6		CWE	O			Participation Person Provider Type
7		CWE	O		0406	Participation Organization Unit Type
8		XON	O	N		Participation Organization
9		PL	O	N		Participation Location
10		EI	O	N		Participation Device
11		DTM	O			Participation Begin Date/Time (arrival Time)
12		DTM	O			Participation End Date/Time (departure time)
13		CWE	O			Participation Qualitative Duration
14		XAD	O	N		Participation Address
15		XTN	C	N		Participation Telecommunication Address

PRT-1 Participation Instance ID (EI) 02379

2470

This field contains a unique identifier of the specific participation record.

PRT-2 Action Code (ID) 00816

For the PCD-04 message this field shall contain the value AD indicating Add.

PRT-3 Action Reason (CWE) 02380

For the PCD-04 message this field is optional.

2475 **PRT-4 Participation (CWE) 02381**

For PCD-04 this field shall contain Alert Reporter indicating Alert Recipient. This is an addition to HL7 v2.8 Table 0912 specifically for the PCD-04 message such that PRT segment occurrences identifying alert recipients can be unambiguously identified for processing, independent of unrelated to alert processing PRT segments containing RCT (indicating Result Copies To).

2480

PRT-5 Participation Person (XCN) 02382

This is the identification of the person that is the recipient of the alert notification. If this field is populated it shall unambiguously resolve to one person. If this field is populated and PRT-15 is not populated it presumes the Alert Manager will internally resolve the person to their currently assigned endpoint communication device or devices.

2485

PRT-6 Participation Person Provider Type (CWE) 02383

For the PCD-04 message this field is optional.

PRT-7 Participation Organization Unit Type (CWE) 02384

For the PCD-04 message this field is optional.

2490 **PRT-8 Participation Organization (XON) 02385**

For the PCD-04 message this field is optional.

PRT-9 Participation Location (PL) 02386

For the PCD-04 message this field is not used.

PRT-10 Participation Device (EI) 02348

2495

For the PCD-04 message this field is not used.

PRT-11 Participation Begin Date/Time (DTM) 02387

For the PCD-04 message this field is not used.

PRT-12 Participation End Date/Time (DTM) 02388

For the PCD-04 message this field is not used.

2500 **PRT-13 Participation Qualitative Duration (CWE) 02389**

For the PCD-04 message this field is not used.

PRT-14 Participation Address (XAD) 02390

For the PCD-04 message this field is not used.

PRT-15 Participation Telecommunication Address (XTN) 02391

2505

This field optionally contains the telecommunication identification of the alert notification recipient's telecommunication device (phone #, carrier and PIN, etc.). If this field is populated it shall unambiguously resolve to one endpoint communication device. If this field is not populated then PRT-5 Participation Person shall be populated and it is

2510 presume the Alert Manager will internally resolve the person to their currently assigned endpoint communication device or devices.

2515 If the field value represents a telecommunications carrier identification and PIN reference, the carrier identification string goes in the fourth component Communication Address and the PIN string goes in the seventh component Local Number. If the field value represents a telephony dial string it can either be split into its XTN data type components or it can be a dial string in the twelfth component Unformatted Telephone number.

B.8 OBX - Observation/Result segment

Refer to HL7 v2.6: Section 7.4.2

2520 The HL7 OBX segment is used to transmit a single observation or observation fragment. For special considerations concerning OBX field usage in PCD-03 transactions, see Section 3.3.4.4.8.

2525 It is important to note that the values used for the OBX fields depend upon whether the OBX is being used to provide information about the device(s) from which measurements are derived or to provide information related to the measurement metrics and related information. The IHE PCD TF defines the appropriate coding for usage in a device related or metric related context. Each OBX shall be coded for a specific context – device related or metric related.

Table B.8-1: OBX segment

SEQ	LEN	DT	Usage	Card.	TBL#	Element name
1	4	SI	R	[1..1]		Set ID – OBX
2	3	ID	C	[0..1]	0125	Value Type
3	705	CWE	R	[1..1]		Observation Identifier
4	20	ST	R	[1..1]		Observation Sub-ID
5	9999 9	Varies	C	[0..1]		Observation Value
6	705	CWE	C	[0..1]		Units
7	60	ST	CE	[0..1]		References Range
8	5	IS	CE	[0..1]	0078	Abnormal Flags
9	5	NM	X	[0..0]		Probability
10	2	ID	CE	[0..1]	0080	Nature of Abnormal Test
11	1	ID	R	[1..1]	0085	Observation Result Status
12	24	DTM	X	[0..0]		Effective Date of Reference Range
13	20	ST	X	[0..0]		User Defined Access Checks
14	24	DTM	RE	[0..1]		Date/Time of the Observation
15	705	CWE	RE	[0..1]		Producer's ID
16	3220	XCN	RE	[0..1]		Responsible Observer
17	705	CWE	RE	[0..n]		Observation Method
18	427	EI	RE	[0..1]		Equipment Instance Identifier
19	24	DTM	CE	[0..1]		Date/Time of the Analysis
20	705	CWE	RE	[0..*]	0163	Observation Site

OBX-1 Set ID - OBX

2530 This field contains the sequence number of the OBX in this message; i.e., 1st OBX Set ID = 1, 2nd OBX set ID = 2, etc., regardless of whether the OBX refers to a device or a metric value.

OBX-2 Value Type

Condition Predicate: must be valued if the value of OBX-11 is not X.

2535 The Value Type field shall be filled according to HL7 Version 2.6 standard (table 0125). For example, if the result is ">300" the Value Type "SN" (Structured Numeric) SHALL be used instead of the "ST" (String) value type that was used in previous versions of HL7. For example, if reporting a displayed I:E ratio of 1:2, the Value Type "SN" (Structured Numeric) MAY be used in lieu of the "NM" (Numeric) datatype, e.g., $^1:^2$, to express the ratio in a clinically familiar format (the "ST" value type SHALL NOT be used in this case). See the details and the examples in the HL7 V2.6 (7.4.2). For an observation that consists of a time measurement (e.g., bleeding time) the TM Value Type is preferred to NM but this is not made mandatory.

2540

Refer to TF-3 for details of the data types used in the mappings.

2545 **OBX-3 Observation Identifier**

Identifies the type of device providing the related values. This is required if structured device (and if relevant, subdevice) identification is provided in the message. For the PCD TF, this shall be used for all devices capable of providing structured device information. For the IHE PCD transactions, implementations shall use the terms defined in the current version of the Harmonized Rosetta Terminology (Volume 3 of the Technical Framework contains further details and references on the Rosetta Terminology Mapping as well as important information on system responsibilities regarding terminology). The Rosetta codes are based on terms from the ISO/IEEE 11073 Nomenclature where available, and where the Nomenclature does not currently contain a matching term, gives provisional vendor-neutral terms to be submitted to the IEEE 11073 Upper Layers Committee as suggestions for adoption into the Nomenclature. If term cannot be found in this way and a matching term is available in LOINC, then the next preference is to use the LOINC term. If LOINC also does not support a term then SNOMED CT or another coding scheme recognized by the HL7 standard takes precedence if a matching term is available. In the cases where such resources are not explicitly identified by standards, implementations may, by local arrangement, utilize any resource (including proprietary or local) to achieve compatibility among the systems involved, provided also that any licensing/copyright requirements are satisfied

2555
2560
2565 In the case where the nomenclature term does not convey the distinction between an observation measurement and a setting for a quantity that may be either, see OBX-17 Observation Method for a way of encoding the distinction.

In the case where the nomenclature item does not distinguish between a manually initiated (episodic) measurement and one that is automatically initiated on a schedule (periodic measurement), the OBX-17 Observation Method may also be used to add this information.

2570 **OBX-4 Observation Sub-ID**

This field shall be used to distinguish between multiple OBX segments and represent the hierarchical (containment) relations among the segments. It does so by providing an unambiguous mapping from observation contained in the OBX segment to the IEEE 11073 containment tree for the Medical Device System sourcing the observation (See Appendix A Mapping ISO/IEEE 11073 Domain Information Model to HL7).

B.8.1 OBX-4 in a 'flattened' representation of a device

2580 A 'map' of the hierarchical structure of the device representation, in other words the device's containment tree can be constructed from the set of OBX-4 values in a full observation report of all metrics the device produces. The highest (most inclusive) hierarchical level is the Medical Device System (MDS), representing the whole device. In the simplest, "flattened", representation of a device, it is the only level that is present. In the flattened representation, no Virtual Medical Devices (VMD) and no channels are

2585 identified in the hierarchy. Every metric is treated as contained only by the MDS, and it has an OBX-4 value of <n>.0.0.<m>, where <n> is the unsigned number chosen to identify the MDS (for simplicity, our examples will use 1 to identify the first or sole MDS, but other numbers may be applied), and the unsigned number <m> identifies the particular metric, and must be different for each metric. The flattened representation has only one device-related OBX segment, the one representing the MDS.

2590 **B.8.2 OBX-4 in a hierarchical representation of a device**

Examples of the disadvantages of the flattened representation are that:

It doesn't allow making the sometimes vital distinction between channels in an infusion pump.

- 2595 • It doesn't allow distinguishing two measurements with the same OBX-3 Observation Identifier coming from the same MDS, which is possible in a complex monitoring situation, so that one of them is typically dropped.
- It doesn't allow for the logical representation of VMDs for a subsystem module of a modular device, which in turn allows for the traceability of a measurement to a particular module. It also allows giving information about the module itself such as its serial number.

2600 In a full hierarchical representation these limitations are removed because the metrics are represented as belonging not only to a particular MDS, but also to a particular VMD, and, when desired, as belonging to a particular channel, and each one of higher-level entities has a device-related OBX segment identifying it, which can be correlated with the OBX-4 values in the OBX segments of the metrics it produces.

2605 The implementer of a Device Observation Reporter may choose the hierarchical representation for a particular device, simplifying to a flattened representation if it meets the needs of the use case. When a content model is specified for the class of device in Volume 3 of the IHE PCD Technical Framework, the model should be used as the basis for the representation.

2610 **B.8.3 'Device-related' and 'metric-related' OBX segments in hierarchy are tied together by their OBX-4 values**

The MDS, and any VMD and channels included in the models, shall each be represented by a 'device-related' OBX which gives in OBX-3 the MDC code for the kind of MDS, VMD, or channel that it is. The set of device-related OBX segments show the hierarchical structure or containment tree of the device. For metric related data, this field is used to associate metrics to MDS and potentially VMD and channel hierarchically, and to each other. The dotted notation provided for in HL7 Ch7, 7.4.2.4, Fig 4 shall be used as follows:
 2615 <MDS>.<VMD>.<Channel>.<Metric> [.FACET [.SUBFACET]], where the optional facet and subfacet entries are used only when specified for a particular profile, and distinguish multiple information items related to the same metric according to a specific scheme documented with the particular profile.

2620 For device related OBX segments that convey information about hierarchical levels higher than METRIC (that is, information about an MDS, VMD, or Channel), the entries in the dotted

2625 notation concerning the lower dot-levels (that is, VMD, Channel or metric levels for an MDS, channel and METRIC for a VMD, and so forth) have no meaning and this should be signified by setting them to zero. So, for information relating to the first MDS, OBX-4 should be 1.0.0.0. Receiving systems shall recognize from such trailing zeros in OBX-4 that the segment is device-related and the information applies to an MDS, VMD, or channel rather than a metric.

2630 This scheme allows the VMD, CHAN, METRIC and FACET information to be associated with 'ancestor' information higher up in the observation hierarchy. This is especially critical for devices like infusion pumps that have multiple channels with the same METRIC level identifiers. The scheme uses simple dotted decimal numeric identifiers where each number is a nonnegative integer. These must create unique n-tuples for each OBX. (That is, each OBX in a set grouped within the scope of an OBR segment must have a distinct value of OBX-4).

2635 The OBX-4 Sub-ID is not normative for a given metric (identified in OBX-3). For example, an OBX-4 of 1.2.3.4 is not fixed to "heart rate." If a parameter is included in multiple places within a containment (i.e., OBX-3 has the same value), the OBX-4 Sub-ID for each place will be unique, distinguishing each instance. Different systems may generate different OBX-4 identifiers for the same metric – the only requirement is that the OBX-4 uniquely identifies each instance of a metric within a containment.

2640 In the OBX-4 field of a metric OBX, the special value '0' implies an 'anonymous' placeholder for the corresponding position in the containment hierarchy. This would be used for an unspecified VMD and/or CHAN (but note that when the '0' is part of a sequence of trailing '0' entries signifying that the dotted notation identifies data related to an MDS, VMD, or channel rather than a metric as described above).

2645 IEEE 11073-20601 for Personal Health Devices uses a 'flattened' device representation and thus does not use the VMD or CHAN levels, so these levels will be '0', consistent with the rule just given. For example, an OBX-4 value of 1.0.0.1 could be used, for the observation hierarchy MDC_DEV_SPEC_PROFILE_PULS_OXIM/<no VMD>/<No channel>/MDC_PULS_OXIM_PULS_RATE.

2650 The values of the 'dotted notations' of the OBX segments associated with a particular OBR (forming an ORDER_OBSERVATION segment group) establish a nested hierarchical arrangement representing the containment of lower-level within higher-level constructs (for example, all metric OBXs with a dotted notation beginning with '1.2' belong to the second VMD of the first MDS). This is exploited to support a form of inheritance for time stamps (see Section
2655 B.7.2 Time Stamps and Time Synchronization) so that, for example, a time stamp given in OBX-14 at the channel level applies to all metrics contained within that channel unless overridden by a time stamp in OBX-14 in the metric itself.

2660 **Expected future usage, not supported in current version of the Technical Framework:** If it is desired to add OBX segments giving values for attributes of an MDS, VMD, or channel, that is, information about the MDS, VMD or channel itself rather than a contained metric (for example, the battery state of a portable monitor which applies to the whole device rather than to a particular metric, or the off-on state of a module corresponding to a VMD), the OBX segments giving the information should immediately follow the relevant 'device-related' OBX segment, and should have as its OBX-4 value the OBX-4 value of the relevant MDS, VMD, or channel,

2665 followed by a non-zero facet number. Multiple attributes of this kind shall have distinct facet
2670 numbers.

B.8.4 Dictionary ordering of 'device-related' and 'metric-related' OBX segments

2670 To facilitate processing and use of this containment hierarchy, OBX segments should be
2675 arranged in "dictionary order" of dotted notations. This implies that, although numbers assigned
2680 to MDS, VMD, and channels need not be constrained to start at one and step upward by one
(although for simplicity the examples in this document will usually do so), the magnitude of the
numbers are significant as they will be used as the basis of sorting. Dictionary order means for
example that all metrics belonging to the second channel should appear together in order of their
metric-level element of the dotted notation (x.y.2.1, x.y.2.2, etc.) after any metrics belonging to
the first channel (x.y.1.z) and before any metrics belonging to the third channel (x.y.3.z).
Similarly, all OBX segments belonging to the first VMD should be placed before those
belonging to the second, and so on. This scheme may be used for '0' values in any position
simply by inserting them in the sort order before '1' values (simple numeric sort within dot
position). Note that this is not a simple string sort, because of the possibility that the numbers in
a particular level may be more than a single digit long (e.g., 1.11.2.3).

2685 This 'dictionary order' should also be applied to device-related as well as to metric OBX
segments: all MDS device-related segments for the first device should precede all VMD device-
related segments for the first VMD of the first device, which in turn should precede any channel
device-related segment(s) for the first channel, if any, of the first device (recall that channels are
optional), and any channel segments should precede all the metric OBX segments of the first
VMD and channel of the first device. The order goes to the second channel of the first VMD if
any, and so on until the contents of all the channels of the first VMD have been given, then
device-related segments for the second VMD, and so on in a similar fashion. (In programming
terms, this is a depth-first traversal of the 11073 "containment tree" of the objects in the device).

2690 The following illustration shows the OBX-4 values in a legal "dictionary order" message. It is
merely one illustration and not normative. For example, the numbers don't need to start at one
and increase by one at each level. The aspects that are required are:

- 2695 1. Each OBX segment has a distinct OBX-4 value and no device or metric OBX segment is
repeated within an ORDER_OBSERVATION segment group (that is, under one OBR
segment).
2. A distinct value for an OBX-4 component of an OBX-4 value implies that the
corresponding element (MDS, VMD, Channel, Metric) is distinct, and the same value of
a component always implies the same corresponding entity in all OBX segments.
- 2700 3. The sequences of MDS, VMD, Channel, and Metric numbers in the OBX-4 value shall
be in dictionary (lexicographic) order following the usual mathematical definition (see,
for example, https://en.wikipedia.org/wiki/Lexicographical_order). An acceptable
variation is to include all device-related OBX segments with their OBX-4 values in
dictionary order, followed by all metric OBX segments in lexicographic order – this also
2705 achieves the design goal of having all references from metric OBX segments to device-
related segments be references to information sent earlier in the data stream.

4. If follows from this and the structure and rules already given for OBX-4 components, that the metric OBX segments follow their corresponding device-related OBX segments.

"Dictionary order" illustration

OBX-4 value	Comment
1.0.0.0	MDS 'device-related' OBX
1.1.0.0	VMD 1 within MDS 1 'device-related' OBX
1.1.1.0	Channel 1 within VMD 1 within MDS 1 'device-related' OBX
1.1.1.1	Metric 1 within Channel 1 within VMD 1 within MDS 1 metric OBX
1.1.1.2	Metric 2 within Channel 1 within VMD 1 within MDS 1 metric OBX
1.1.2.0	Channel 2 within VMD 1 within MDS 1 'device-related' OBX
1.1.2.1	Metric 1 within Channel 2 within VMD 1 within MDS 1 metric OBX
1.2.0.0	VMD 2 within MDS 1 'device-related' OBX
1.2.0.1	Metric 1 within VMD 2 within MDS 1 metric OBX (Note: this VMD has no channels, so channel entry in OBX-4 is zero and no device-related OBX segment for channel is included)
2.0.0.0	MDS 2 'device-related' OBX
	(and so on)

2710 **B.8.5 OBX-4 Sub-id in Alert Communication Management transactions (PCD-04, PCD-06, PCD-07)**

The 11073 MDS indication is in the OBX-5 Observation Value field of the observation segment occurrence whose OBX-4 Sub-ID field dot notation element 1 maps to the 11073 MDS value.

2715 The 11073 VMD indication is in the OBX-5 Observation Value field of the observation segment occurrence whose OBX-4 Sub-ID field dot notation element 2 maps to the 11073 VMD value.

The 11073 CHANNEL indication is in the OBX-5 Observation Value field of the observation segment occurrence whose OBX-4 Sub-ID field dot notation element 3 maps to the 11073 CHANNEL value.

2720 The 11073 NU indication is in the OBX-5 Observation Value field of the observation segment occurrence whose OBX-4 Sub-ID field dot notation element 4 (METRIC) maps to the 11073 NU value.

2725 In the Alert Communications Management Profile, a fifth element, <FACET>, was originally added to distinguish the additional attributes of an alert, such as Alert State, Phase, Inactivation State, and Evidentiary Data, that must be conveyed in associated additional OBX segments beyond the first. They shall be in Facet value sequential ascending order.

As of IEEE 11073-10101a the ACM Profile now has official MDC codes and REFIDs for the alert basic containment observations. Use of these official values is required for implementations going forward. Use of <FACET> is retained for backward compatibility for existing implementations.

- 2730 The FACET are identified by their associated OBX-3 Observation Identifier. Refer to the OBX-3 Value column in Table B.8.5-1 for the value of OBX-3. For identification of physiological (numeric) alarms versus technical (non-numeric) alarms refer to the value of OBX-8 Abnormal Flags for the Event Identification Facet.

2735

Table B.8.5-1: Observation Sub-ID Facets

Facet value	Facet name	OBX-3 Value	Comments
1	Event identification	In the case of physiologic alarm, type of alerts this is the associated MDC value for the alert. In the case of technical alarm type alerts and advisory type alerts this is 196616^MDC_EVT_ALARM^MDC and OBX-5 contains the specific identification of the alert.	This facet specifies the MDC event code for the alert
2	Source identification	For numeric alarms = MDC nomenclature for the source of the alarm, for technical alarms = 68480^MDC_ATTR_ALERT_SOURCE^MDC	Identifies the physiological measurement or technical source responsible for the alert.
3	Event phase	68481^MDC_ATTR_EVENT_PHASE^MDC	Whether the stimulus for the message is the beginning, end, or some other state or state transition of the alert.
4	Alert state	68482^MDC_ATTR_ALARM_STATE^MDC	Indicates the state of the underlying alert condition at the patient care device: inactive active latched (no longer active but persisted to allow caregivers to be notified of transient but significant events)
5	Inactivation State	68483^MDC_ATTR_ALARM_INACTIVATION_STATE^MDC	Indicates whether visual or aural indications at the patient care device are inactivated.
6	Alarm Priority*	68484^MDC_ATTR_ALARM_PRIORITY^MDC	Shall be a separate OBX segment occurrence if not a component OBX-8 Abnormal Flags: This specifies the alarm priority, with possible values of PN = not indicated PL = Low PM = Medium PH = High
7	Alert Type*	68485^MDC_ATTR_ALERT_TYPE^MDC	Shall be a separate OBX segment occurrence if not a component of OBX-8 Abnormal Flags: This specifies the alert type, with possible values of

Facet value	Facet name	OBX-3 Value	Comments
			SP = Alert is Alarm – Physiological ST = Alert is Alarm – Technical SA = Alert is Advisory

2740

*Alarm Priority and Alert Type inclusion location is either-or. Either both are indicated in components of the same OBX-8 Abnormal Flags field of the OBX segment occurrence associated with the alert indication or both as separate OBX segment occurrences, one for MDC_ATTR_ALERT_TYPE and one for MDC_ATTR_ALARM_PRIORITY. The OBX-8 components approach is deprecated. All new implementations are to use the separate OBX segments approach. The effectivity is such that the Alert Manager shall implement the new approach in addition to the original approach. The new approach takes precedent over the original approach. If both approaches are present, the Alert Manager shall ignore the original approach.

Table B.8.5-2: Report Alert (PCD-04) Facet Usage by Alert Type

Facet Name	Facet Usage by Alert Type		
	Alarm Physiologic	Alarm Technical	Advisory
Event Identification	R	R	R
Source Identification	R	R	R
Event Phase	R	R	R
Alert State	R	R	R
Inactivation State	R	R	R
Alarm Priority*	R	R	R
Alert Type*	R	R	R

Where O = optional and R = required.

2745

*Originally contained in OBX-8 Abnormal Flags, implementations going forward should include as separate OBX segments.

The following table maps ISO 60601-1-8 alarm signal states to IHE ACM PCD-04 attributes and values.

2750

Table B.8.5-3: ISO 60601-1-8 Alarm condition and alarm signal states mapping to IHE ACM PCD-04 attributes

ISO 60601-1-8	ISO Value	IHE ACM PCD-04 IEEE 11073-10101a attribute and value
Alarm Condition State		68482^MDC_ATTR_ALARM_STATE^MDC (multiple is ok)
	Off	(off – need to CP ACM/PCD TF to add value)
	Inactive	Inactive
	Active	Active
	Latched	Latched (may be indicated with other enumeration values)
Alarm condition type		8485^MDC_ATTR_ALERT_TYPE^MDC

ISO 60601-1-8	ISO Value	IHE ACM PCD-04 IEEE 11073-10101a attribute and value
	Physiological	SP – Physiological
	Technical	ST – Technical
	(Information?)	SA – Advisory [alert, but not an alarm]
Alarm type class		Indicated in alert indication MDC/REFID
	Threshold	
	Event	
Alarm Limit Violation		Indicated in the alert indication MDC/REFID
	High	
	Low	
	event description	
Alarm Condition Priority		68484^MDC_ATTR_ALARM_PRIORITY^MDC
	High	PH – High
	Medium	PM – Medium
	Low	PL – Low
	Information	(PI – need to CP ACM/PCD TF to add value)
	(not-indicated)	PN – Not Indicated
	(not-known)	(PU – need to CP ACM/PCD TF to add value)
Alarm signal inactivation state		68483^MDC_ATTR_ALARM_INACTIVATION_STATE^MDC
	none (enable?)	enabled (note the “d” on the end)
	audio-paused	audio-paused
	audio-off	audio-off
	alarm-paused	alarm-paused
	alarm-off	alarm-off
	acknowledged	alert-acknowledged – per ACM/PCD TF CP #126
Phase is not an attribute		68481^MDC_ATTR_EVENT_PHASE^MDC
		tpoint, start, start_only, continue, end, present, update, escalate, inactivate, acknowledged – per ACM/PCD TF CP #126, deescalate, reset, stop, (ACM/PCD TF CP to add <i>information</i> or maybe <i>no_alert</i> phase indication for signaling of AIS updates not in the presence of active alerts)
Source is an implied attribute		68480^MDC_ATTR_ALERT_SOURCE^MDC
		VMD, plus preferably CHAN

OBX-5 Observation Value

Definition: This field contains the value observed by the observation producer. OBX-2-value type contains the data type for this field according to which observation value is formatted. It is not a required field because some systems will report only the normality or abnormality (OBX-8), especially in product experience reporting. The length of the

2755

observation field is variable, depending upon OBX-3-value type. This field may repeat for multipart, single answer results with appropriate data types, e.g., CWE, TX, and FT data types.

- 2760 When the Observation Value is numeric, IHE PCD adopts the convention that the number of digits to the right of the decimal point shall reflect the precision ascribed by the device to the measurement and such digits shall not be arbitrarily dropped from string representations of the value. So if the measurement has, say, two significant digits after the decimal point and happens to include one or more trailing zeros, the string
- 2765 representing the measurement shall include the trailing zeros to reflect precision, even though they do not change the numeric value.

For the PCD TF this field is required for metric related segments and is null for device related segments.

OBX-5 Observation Value in PCD-04 and other Alert Communications transactions

- 2770 This field contains the value observed by the Alert Reporter. Its meaning differs according to the facet identified in OBX-4 Sub-ID (see above). The following sections give the details for each facet.

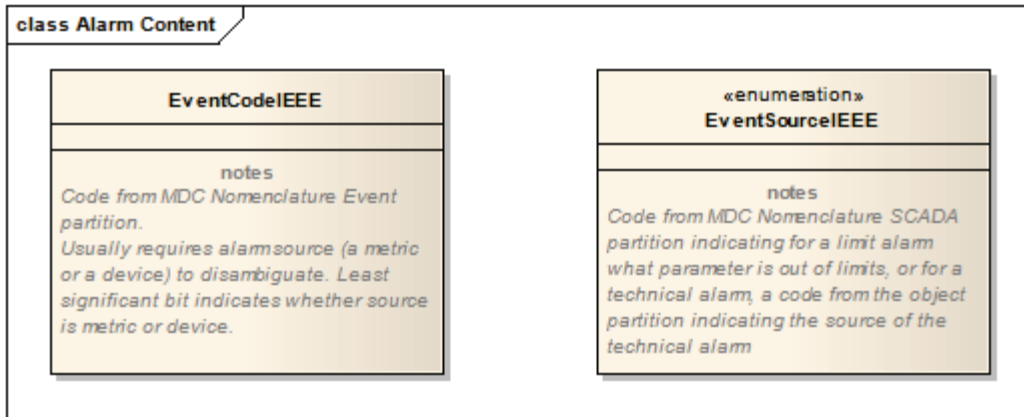
- In all cases, OBX-2-value type contains the data type for this field according to which observation value is formatted. It is not a required field because some systems will report only the abnormal flags for the observation (OBX-8). The length of the observation field is variable, depending upon OBX-3-value type. This field may repeat for multipart, single answer results with appropriate data types, e.g., CWE, TX, and FT data types.
- 2775

Event Identification Facet

- 2780 The identity of alerts is represented by event codes from ISO/IEEE 11073-10101 nomenclature for alerts (Block E).

- For the ACM Profile in the PCD-04 message, the OBX instance associated with the Event Identification Facet (where OBX-5 is equal to 196616^MDC_EVT_ALARM^MDC or the identification of the physiologic limit exceed for physiologic alarms), if the data type is CWE then the Display Text/Print Text component 23 of the CWE data type is brought forward from HL7 version 2.8 and can be optionally used as a suffix to the Alert Manager synthesized alert text to be included in the alert text to be communicated to the Alert Communicator alert notification recipients.
- 2785

- This capability permits the Alert Reporter to contribute text specifically for inclusion into the Alert Manager synthesized alert notification text. This can be useful in the case of textual information not well integrated into an HL7 standard data item. It can also be used as a foreign language mapping of the alert reason for which the Alert Manager requires abstraction. This can be if the Alert Reporter, the alerting medical device, and the alert notification recipients are in one country, and the Alert Manager is centralized in a different country.
- 2790



2795

Figure B.8.5-1: Event Identification Facet (Informative)

Source identification Facet

2800

For an event code corresponding with a metric alarm, this segment identifies the particular measurement that is the source of the alarm by its MDC nomenclature code in OBX-3 Observation Identifier. If it has a numeric value, it shall be in OBX-5 Observation Value, and if available the alarm range set in the device will be encoded in OBX-7 Reference Range.

For a technical alert, this facet specifies the subsystem that is the source of the event by its MDC object code in OBX-5 Observation Value, and by its dotted sub-ID notation according to the DEC specification for OBX-4 Observation Sub-ID.

2805

Event Phase Facet

Each occurrence contains one of the following phase indications of the alert from the EventCurrentPhase enumeration:

Table B.8.5-2: Event Phase Coordinated Definitions

future assignment	assigned	definition
tpoint		time-point
start	_START	start (of an interval event/alert) – an end is expected
start_only		start – continue and end are not to be expected
continue		continuation (of an ongoing interval event/alert)
end	_END	end (of an interval event/alert)
present		event/alert is active at this time
update		Update
escalate		escalation of an ongoing alert/alarm
inactivate		Inactivation (e.g., silence)
acknowledged		Alert acknowledged at the source device
deescalate		de-escalation of an ongoing alert/alarm
reset		clear latched alarm

future assignment	assigned	definition
stop	_STOP	pause an event/alert; could restart with same ID later
update	_CHANGE	similar to CHANGED
update	_CHANGED	similar to CHANGE
update	_CLEARED	similar to _CHANGED, except implication that some aspect of the device has been cleared
stop	_COMPL	last phase of a START_, (_STOP, _START)*, _COMPL sequence

2810 Values in the “Assigned” column are in the 11073 standard. “Future assignments” indicates values in common use not yet in the 11073 standard.

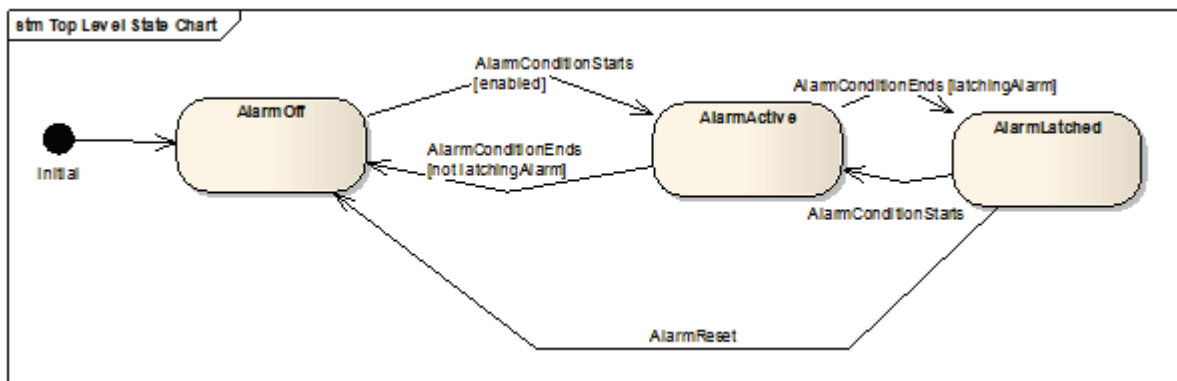


Figure B.8.5-3: Event Phase

2815 The EventCurrentPhase identifies the state transition or state that the current alert message is indicating: a **tpoint** event is a time point event with no duration, a **continue** event indicates that this message does not represent a state transition but rather reports the continuation of an event that started at some previous time. An **update** indicates a change other than a state transition in a previously reported alert, such as a further change in an out-of-limit metric. The phases **escalate** and **de-escalate** represent changes in alert priority as assessed by the patient care device.

2820 **State transitions**

A message representing an alert is sent aperiodically, when the alert undergoes a state transition that may be significant for notification (alert start, alert end, escalation or de-escalation of priority as evaluated by the alert source).

2825 By site agreement, messages representing current state of alerts may optionally also be sent at other times, as for example on a periodic timed basis, or when systems are restarted and a list of currently active alerts is sent out by the Alert Reporter to refresh the Alert Manager.

Alert current state facet

2830 The value of the AlertState facet reflects whether the alert condition currently exists (inactive or active) or if the alert condition formerly existed, does not now exist, but is “latched” or held by the alert source so that caregivers may be notified of transient but significant conditions.

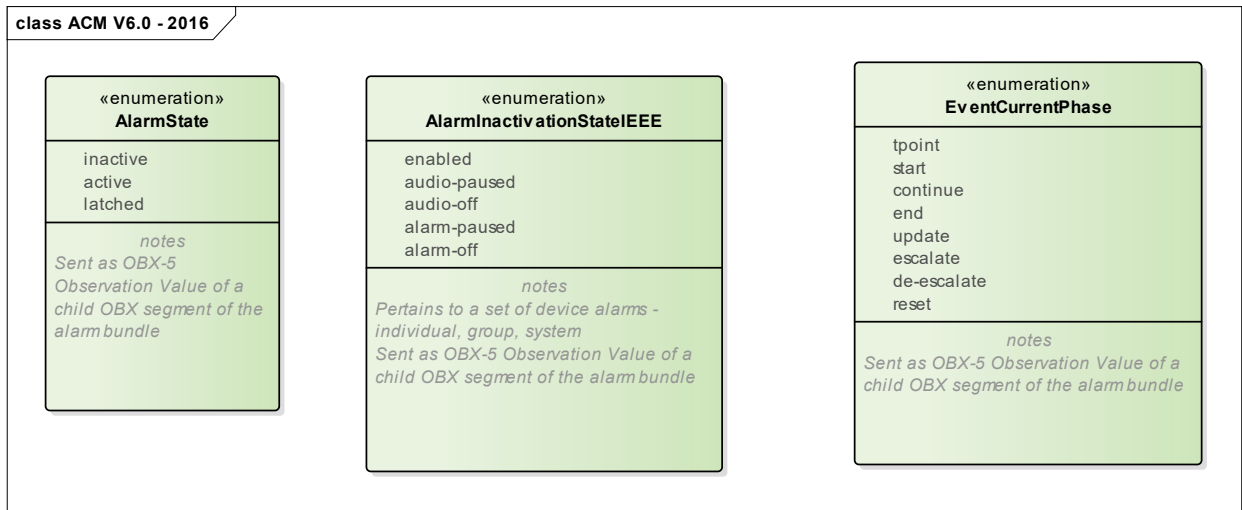


Figure B.8.5-4: Alert Current State

Inactivation state facet

2835 The AlertInactivationState reflects the current state of the visual and aural alert indications at the alert source.

This may be empty. May contain the value 'enabled', meaning that both visual and aural alert indications are enabled at the device. May be repeated, to indicate separately the state of visual indications at the device by including zero or one of the values:

- 2840
- alarm-paused
 - alarm-off

and zero or one of the values:

- audio-paused
- audio-off

2845 If neither 'alarm-paused' nor 'alarm-off' is included, the visual alarm indication is assumed to be enabled regardless of whether 'enabled' is also present.

If neither 'audio-paused' nor 'audio-off' is included, the aural alert indication is assumed to be enabled regardless of whether 'enabled' is also present.

2850 If the optional state indication ‘acknowledged’ is included, it indicates that the alert has been acknowledged at the alert source device. This indication offers no assurance of a resolution time

for the active alert. This is independent of ‘audio-paused’ and ‘audio-off’ and is a latched status indication until the alert ends.

OBX-6 Units

See HL7 2.6 Section 7.4.2.6 for further information.

2855

For the PCD TF:

Condition predicate: If OBX-5 is populated with a numeric value then OBX-6 must contain an appropriate value. For Device Related if OBX-7 is being used for operating range then populate.

2860

The units used should be in conformance with the Rosetta Terminology (see PCD TF-3 for further details and references). The preferred format is an MDC value, secondly a UCUM value.

OBX-7 Reference Range

2865

For metric related segments, this should be used to provide the value ‘alarm’ ranges set with respect to the observed value metric in this OBX, although this is not strictly a reference range in the sense of the examples given in HL7.

For device related segments this may be used to provide the device measurement range capability – NOT the metric value ‘alarm’ ranges which shall be in the appropriate observed value metric OBX, as indicated above.

2870

In PCD-04 and other Alert Communication transactions, this field is not used. Instead, the Abnormal Flag field is used.

OBX-8 Abnormal Flags

This field can be used to provide zero or more codes (IS data type) to augment the interpretation of the observation. Codes beyond the first are included as repetitions (using the repetition separator character, the tilde ("~")).

2875

The following abbreviations in the OBX-8 Abnormality Flags field can be used to indicate the type of abnormality, its priority as indicated by the source patient care device, and whether it is a physiological alarm based on monitoring observations from the patient, or a technical alert indicating a condition of the patient care device and not the patient which nonetheless requires caregiver action.

2880

Table B.8.5-5: Abnormal Flags, Abnormality Types

Abnormality Type	Abbreviation
Normal, not abnormal	N
Below low normal	L
Below lower panic limits	LL
Above high normal	H
Above higher panic limits	HH
Abnormal (for non-numeric results)	A

Correspondence between IEEE 11073-10201 MeasurementStatus and representation in Abnormal Flags Field

Table B.8.5-6: Measurement Status

MeasurementStatus ::= BITS-16 { ... }	OBX-8 ⁴	OBX-11
No bits set ? raw device measurement; measurement okay, has not been reviewed nor validated		R
invalid(0),	INV	X
questionable(1),	QUES	R
not-available(2),	NAV	X
calibration-ongoing(3),	CAL	R
test-data(4),	TEST	R
demo-data(5),	DEMO	R
validated-data(8), -- relevant, e.g., in an archive		F
early-indication(9), -- early estimate of value	EARLY	R
msmt-ongoing(10), -- indicates that a new measurement is just being taken -- (episodic)	BUSY	X
msmt-state-in-alarm(14), -- indicates that the metric has an active alarm condition	ALACT	R
msmt-state-al-inhibited(15) -- metric supports alarming and alarms are turned off -- (optional)	ALINH	R

2885 Further details of missing or invalid data can be given with codes based on nullFlavors:

Table B.8.5-7: Missing or Invalid Data Codes for OBX-8

Missing or Invalid Data Type	Code
No information	NI
Not applicable, no proper value	NA
Temporarily not available. Information is not available at this time but it is expected that it will be available later.	NAV
Numeric measurement function is available but has been deactivated by user.	OFF
Masked (as for security)	MSK
value not in domain	OTH
Not a number	NAN
Positive infinity	PINF
Negative infinity	NINF

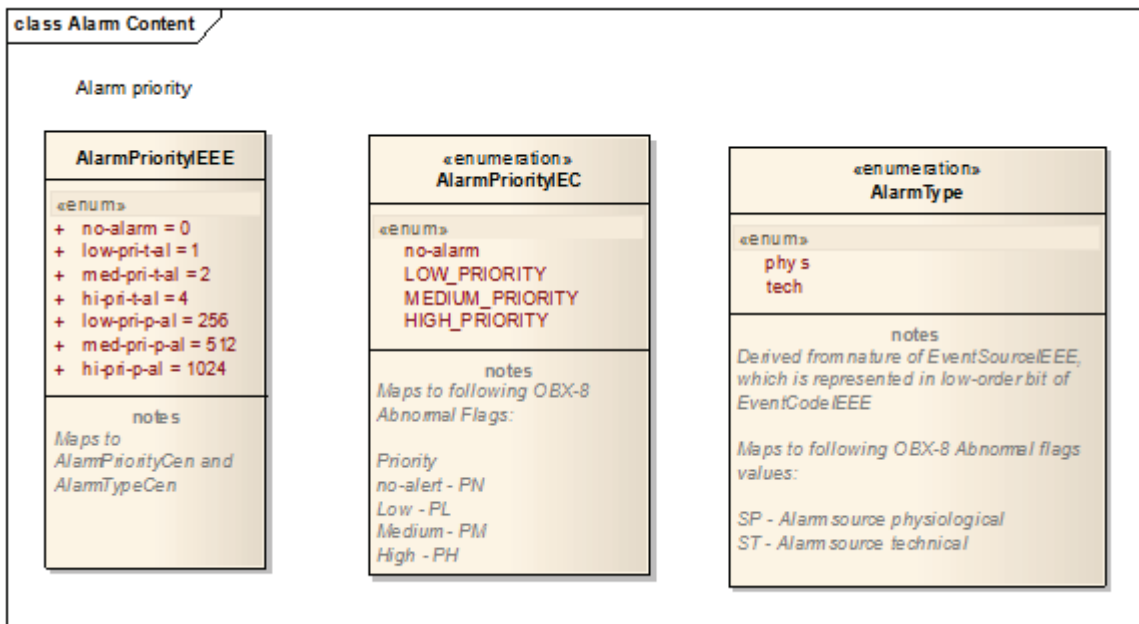
⁴ The HL7 V2.6 IS data type is limited to 5 chars and so these mnemonics cannot be used. Although HL7 V2.7 replaces the IS datatype with the CWE datatype and longer mnemonics we need to restrict this to be compatible with HL7 V2.6 for now. OBX-8 can be a repeated field with ~ separators.

This is a repeatable field and values from the above tables may be combined by entering them as repetitions of the field, for example, a field value of 'H~PH~SP' would signify a physiological measurement with an abnormally high value, constituting a high priority alert condition.

2890 **OBX-8 Abnormal Flags in PCD-04 and other Alert Communications transactions**

The following abbreviations in the OBX-8 Abnormality Flags field can be used to indicate the type of abnormality, its priority as indicated by the alert source, and whether the alert is a physiological alarm based on monitoring observations from the patient, or a technical alarm indicating a condition of the patient care device and not the patient which nonetheless requires caregiver action, an advisory, or a combination if simultaneous.

2895



Alarm Priority and Type (Informative)

Table B.8.5-8: Abnormal Flags, Alert Priority

Alert Priority	Abbreviation
no-alarm	PN
low priority	PL
medium priority	PM
high priority	PH

2900

Table B.8.5-9: Abnormal Flags, Alert Source

Alert Source	Abbreviation
alarm – physiological	SP
alarm – technical	ST
advisory	SA

2905

This is a repeatable field and values from the above table may be combined by entering them as repetitions of the field, for example, a field value of 'H~PH~SP' would signify a physiological measurement with an abnormally high value, constituting an alert that is a high priority physiological alarm condition. These values shall be recorded in the OBX-8 field of the OBX segment occurrence associated with the OBX segment identified by the Facet value (1) associated with Event Identification.

Table B.8.5-10: 11073-10201 AlertType to OBX-8 Abnormal Flags mappings

AlertType	OBX-8 Value
no-alert	PN
low-pri-t-al	PL~ST
med-pri-t-al	PM~ST
hi-pri-t-al	PH~ST
low-pri-p-al	PL~SP
med-pri-p-al	PM~SP
hi-pri-p-al	PH~SP

2910

OBX-11 Observation Result Status

2915

This field should be filled according to HL7 Table 0085 described in Chapter 7 of HL7. For the IHE PCD TF, the possible values for this field for this profile are shown in Table B.8-7: HL7 Table 0085 selected values. The value of X is used for device related segments where OBX-7 is not used to express the device measurement range capability. Certain values of OBX-8 Abnormal Flags are semantically linked to OBX-11 Observation Results Status; see the table under OBX-8 for these cases.

Table B.8.5-11: HL7 Table 0085 selected values

Value	Description	Comment
C	Record coming over is a correction and thus replaces a final result	
D	Deletes the OBX record	
F	Final results; Can only be changed with a corrected result.	
P	Preliminary results	

Value	Description	Comment
R	Results entered -- not verified	
S	Partial results	
U	Results status change to final without retransmitting results already sent as 'preliminary.'	
W	Post original as wrong, e.g., transmitted for wrong patient	
X	Results cannot be obtained for this observation	

B.8.6 OBX-11 Observation Result Status in PCD-04 Report Alert

2920 The field shall be populated with the result status of the Report Alert transaction. Once a Report Alert transaction is sent it is by definition final, not held for later revision, and given that state and status of indications are updated through additional Report Alert transactions specific to the ACM Profile the only possible value is "F" indicating final.

OBX-14 Date/Time of the Observation:

2925 If this field is present in a 'metric' observation, its value overrides the time stamp in OBR-7. This should only be populated to signal an episodic observation such as noninvasive blood pressure. For periodically sampled observations where the time stamp for all observations in the message is the same and is given in OBR-7, OBX-14 should not be populated. See also Appendix Section B.8.7 Time Stamps and Time Synchronization for a general discussion of time stamps in IHE PCD messages.

2930 This implies that time stamp may be 'inherited' from the OBR, which is in effect a higher-level grouping element for the OBX segments it contains (i.e., that form part of the same ORDER_OBSERVATION segment group), unless the time stamp is overridden. In a similar way, an OBX segment applying to a higher level in the MDS-VMD-channel-metric hierarchy establishes a default time stamp for its contained lower-level elements unless overridden by associating a time stamp with the lower-level element. So metric observations get their time stamps from their nearest 'ancestor' which has a time stamp in OBX-14 unless they have a time stamp of their own in OBX-14. Channel-level OBXs with filled OBX-14 fields establish a default time stamp for their contained metric observations.

2940 For the PCD TF the value is the same as OBX-19 Date/Time of the Analysis, but should be used in preference to OBX-19 if time of the particular observation is relevant and is different than OBR-7 (that is, in the case of an episodic observation). The OBX-14 time stamp may be duplicated in OBX-19 if local needs dictate.

2945 **OBX-16 Responsible Observer**

For the PCD TF:

The identifier values for the Operator ID field may null, if unknown or unspecified at the sending device.

Table B.8.6-1: Extended composite ID number and name for persons

SEQ	LEN	DT	Usage	Card.	TBL#	Component name
1	15	ST	R	[1..1]		ID Number
2	194	FN	RE	[0..1]		Family Name
3	30	ST	RE	[0..1]		Given Name

2950

OBX-17 Observation Method

For metric related segments observation methods are in many cases implicit in device related MDC Ref_ID/codes; use of OBX17 is superfluous if given there. However, if observation method is needed and no device detail is shown then the method shall be given here.

2955

The preferred format is an MDC value, secondly a LOINC value.

This field is repeatable, and may be used with multiple coded elements to reflect different aspects of the methods used to make an observation (for example, an episodic as opposed to continuous, periodic measurement for, say, cardiac output).

2960

The observation may be identified as to whether it is measured, calculated, or a setting, using these codes based on IEEE 11073 MetricCategory:

Table B.8.6-2: MetricCategory Codes

MetricCategory ::= BITS-16 { ... }	OBX-17
mcat-unspec(0),	UNSPEC^mcat-unspec^MDC
auto-measurement(1),	AMEAS^auto-measurement^MDC
manual-measurement(2),	MMEAS^manual-measurement^MDC
auto-setting(3),	ASET^auto-setting^MDC
manual-setting(4),	MSET^manual-setting^MDC
auto-calculation(5),	ACALC^auto-calculation^MDC
manual-calculation(6), -- relevant, e.g., in an archive	MCALC^manual-calculation^MDC

2965

This field can convey the distinction between measurements (AMEAS or MMEAS) settings (MMEAS or MSET), as well as whether the measurement or setting was initiated by an operator (MMEAS, as in an episodic measurement, MSET, as in a manual setting) or automatically, as in a periodic measurement (AMEAS).

If omitted, the default value is AMEAS.

OBX-18 Equipment Instance Identifier

2970 This field identifies the Equipment Instance (e.g., infusion pump, physiological monitor) responsible for the production of the observation. This is to provide specific traceability for the source of the observation, and so identification should identify the equipment at the lowest practical subsystem level where this applies: for example, the individual removable module in a physiological monitor. This allows an observation or a trouble indication to be traced to its source as specifically as possible.

2975
2980 Future implementation note: as of HL7 V2.7, this field is retained for backward compatibility only. This field will be represented through the PRT segment. Future versions of the IHE PCD Technical Framework will require the use of this segment, which will also provide for including the Unique Device Identification adopted by the U.S. F.D.A. and being considered by regulatory agencies in other jurisdictions.

For the PCD TF:

The preferred format is an EUI-64 Device ID. The Device Identifier should be globally unique.

2985 Every device be should be identified by a universally unique identifier in the format specified by IEEE for the EUI-64 identifier (e.g., "1234567890ABCDEF"). To allow the Observation Reporting interface to be employed with 'legacy' Devices, this field may also be populated by a combination of serial number, model, and manufacturer (see Section C.5 EI Data Type for details of how this may be done). If the EUI-64 identifier is available, it should be recorded in the 'universal ID' component of this field. If it is not available, the manufacturer's unique device identifier (e.g., serial number) should be recorded in 'Entity Identifier' component (EI-1), with the model identification in the Namespace ID (EI-2), and the manufacturers identity in the universal ID (EI-3) using an OID or URI scheme (which should be identified in the universal ID type, EI-4).

2990
2995 Note that OBX-18 is repeatable, and HL7 suggests that where a hierarchical identification of the equipment is desired (e.g., module or VMD within Medical Device System) that the lowest-level equipment be sent first, followed by higher levels in succession.

3000 A permissible optimization is to not send the full hierarchy with every observation, but rather the identification should be sent at the highest level of device related OBX possible: i.e., MDS, then VMD, and then Channel. Inheritance should be assumed; i.e., for multivalued results from the same Device, this field is required only in the first OBX segment.

3005 For metric related data this field is not required – unless no device hierarchy, and therefore related OBXs, is being declared; in which case the device ID should be provided here if available. Inheritance should be assumed; i.e., for multivalued results from the same Device, this field is required only in the first OBX segment.

Device identifiers shall be reported in OBX-18, data type 'EI' (Entity Identifier), for the MDS level for PCD devices and DEV_SPEC_PROFILE for PHD devices.

Table B.8.6-3: HL7 Component Table - EI – Entity Identifier

SEQ	LEN	DT	OPT	TBL#	COMPONENT NAME
1	199	ST	R		Entity Identifier
2	20	IS	RE	0363	Namespace ID
3	199	ST	C		Universal ID
4	6	ID	C	0301	Universal ID Type

3010

Example 1: EUI-64

This is the preferred and most concise representation of an EUI-64.

```
|0123456789ABCDEF^^0123456789ABCDEF^EUI-64|
```

3015

Example 2: Vendor-specific identifier string in OBX-18.1

The EUI-64 form of identifier discussed above is required in production environments. In debug and test environments the following form of identifier is acceptable, and it may also be used if desired in addition to EUI-64 as a repeat of this field since OBX-18 is repeatable. All four OBX-18 components may be used to indicate a vendor-specific identifier string plus an identifier from HL7 Table 0301 - Universal ID type. Here EI-1 (Entity Identifier) is the serial number of the equipment, EI-2 (Namespace ID) identifies the equipment model, EI-3 (Universal ID) identifies the manufacturer using a DNS domain name under the control of the manufacturer, and EI-4 (Universal ID Type) identifies the type of Universal ID contained in EI-3.

3020

3025

```
|123456^ICU_MONITOR^megacorp.com^DNS|.
```

See the discussion of the EI data type in Appendix C.5 for further details and examples.

OBX-19 Date/Time of the Analysis

3030

Conditional Predicate: May be used if duplicate of OBX-14 is needed in this field by receiving system.

For the PCD TF use OBX-14 preferentially if device time is relevant. Information in OBX-14 may be duplicated here if local needs dictate.

OBX-20 Observation Site

3035

```
Components: <Identifier (ST)> ^ <Text (ST)> ^ <Name of Coding System (ID)> ^
<Alternate Identifier (ST)> ^ <Alternate Text (ST)> ^ <Name of Alternate
Coding System (ID)> ^ <Coding System Version ID (ST)> ^ <Alternate Coding
System Version ID (ST)> ^ <Original Text (ST)>
```

3040

Definition: This field typically contains the body site(s) where the measurement being reported was obtained. This field should not be used for a specimen source or specimen collection site.

This information is of particular importance if the clinical meaning of a value is modified either directly by the site (for example, is the temperature central or peripheral?) or if the

3045 site of one measurement impacts the value of another measurement (for example, is the finger SpO2 probe on the same arm as the NIBP cuff?). In most cases these observations are performed directly upon the patient and do not involve a specimen.

3050 Any nationally recognized coding system might be used for this field including SNOMED or MDC; alternatively, the HL7 Table 0163 may be used. Veterinary medicine may choose the tables supported for the components of this field as decided by their industry.

B.8.7 Time Stamps and Time Synchronization

3055 Medical device data observations conveyed by the IHE PCD DEC Technical Frameworks should where feasible use ‘consistent time’ for MSH-7, OBR-7, OBR-8 and OBX-14, where ‘consistent time’ is based on a known reference time source such as NTP or similar service. Since medical devices may use local clocks that are not synchronized to ‘consistent time’, a standardized representation for disclosing how the device time(s) were mapped to ‘consistent time’ is required to provide traceability between the two.

3060 In order to facilitate the correlation of transmitted observations, each observation should contain a time stamp from a consistent, isochronous time-base, either by default reference to [OBR-7, OBR-8) or by an overriding value in OBX-14. Since many medical devices have only a sense of local time, and this local time may not be equivalent to the local time of the DOR, it is a responsibility of the DOR to ensure the reported times within an Observation Result message are consistent. This means that all observation times reported SHOULD be UTC, as indicated by including a time zone offset of +0000, but it is permissible to use local time with the required correct time zone offset included in the timestamp representation since this can readily be converted to UTC whatever the time zone of the receiving system. In order to preserve the original time marking provided by the device, the Observation Result message SHALL contain a synchronization time element such as MDC_ATTR_TIME_ABS at the Medical Device System level which discloses the device’s notion of time, as described in the following table. The DOR SHALL use this device time as the basis for correcting the timestamps from the device (for example, for OBX-14) to the DOR’s ‘consistent time’.

Msg Segment	Description and comments	Status
MSH.....	MSH-7 Date/Time of Message created/sent (DTM _{DOR})	M
PID.....		M
OBR.....	[OBR-7, OBR-8] Default time interval for child OBXs (DTM _{DOR})	M
OBX.. 0.0.0.1	MDC_TIME_SYNC_PROTOCOL (time sync protocol used by the DOR)	O
OBX.. 0.0.0.2	MDC_TIME_ACCURACY (known or estimated accuracy of DOR time)	O
OBX.. 1	MDS for device #1	M
OBX.. 1.0.0.1	MDC_TIME_CAP_STATE (BITS-16, using MdsTimeCapState)	O
OBX.. 1.0.0.2	MDC_TIME_SYNC_PROTOCOL (from nom-part-infrastructure)	O
OBX.. 1.0.0.3	MDC_TIME_SYNC_ACCURACY (device absolute time accuracy)	O
OBX.. 1.0.0.4	MDC_ATTR_TIME_ABS (displayed time) and OBX-14 (DTM _{DOR})	C ⁵

Msg Segment	Description and comments	Status
OBX.. 1.0.0.5	MDC_ATTR_TIME_REL (relative time) and OBX-14 (DTM _{DOR})	C
OBX.. 1.0.0.6	MDC_ATTR_TIME_HI_RES (hi-res rel time) and OBX-14 (DTM _{DOR})	C
OBX.. 1.0.0.7	OBX-14 (DTM _{DOR} , <i>optional</i> , overrides default (OBR-7, OBR-8] time interval	
OBX.. 1.0.0.7.1	OBX-14	
OBR.....	[OBR-7, OBR-8] Default time interval for child OBXs (DTM _{DOR})	M
OBX.. 2	MDS for device #2	M

Notes:

Status column gives Presence Qualifier, M: mandatory, O: option, C: conditional.

3075

The dotted numbers represent the object hierarchy value of OBX-4 and are provided as example values only.

a. DTM_{DOR} is the datetime of the DOR, reported with an IHE PCD modification of the HL7 V2.6 ‘date/time’ data type differing in the specification of the time zone offset. See Appendix C.4 for details. A time stamp resolution of at least one second and a time zone offset are required, e.g., **YYYYMMDDHHMMSS**[.S[S[S[S]]]]+/-**ZZZZ** (required items shown in bold font).

3080

b. Within the time scope of each OBR and the time interval expressed in [OBR-7, OBR-8), time discontinuities in the MDC_ATTR_TIME_ABS displayed time are prohibited. Discontinuities due to daylight savings or other clock adjustments require that data on the new displayed timeline shall be sent as a separate OBR.

c. The OBR establishes the default time context for all its child OBXs, but can be overridden by a time stamp in OBX-14.

3085

d. The time interval specified by [OBR-7, OBR-8) is a mathematically ‘closed’ interval for OBR-7 and ‘open’ for OBR-8. A datum that occurs exactly at the time specified by OBR-8 would be sent in the next time epoch. This allows subsequent OBR segments to represent a continuous sequence of time. For encoding a simple set of episodic measurement, if there is no logical "end" of the observation period, OBR-8 may be set to the message creation time to indicate the logical upper limit for the contained observations.

3090

HL7 time stamps sent in MSH-7, OBR-7, OBR-8 and OBX-14 should in most situations be ‘consistent time’ based on NTP or any other reference time source that provides traceability to NTP when this is feasible. As a consequence, it is strongly encouraged that the gateway or application device (AHD) support synchronized time as an NTP or SNTP (or other time service) client so that it can (1) apply consistent time stamps to the data reported over the WAN interface and (2) provide a time synchronization service to the agents connected to it.

3095

The MDC_ATTR_TIME_ABS (in OBX-3) observation provides traceability between the displayed time shown on the device, as a DTM datatype in OBX-5, and the corresponding gateway or AHD time reported in OBX-14.

3100

The MDC_ATTR_TIME_REL and MDC_ATTR_TIME_HI_RES (in OBX-3) observations provide traceability between the relative or hi-resolution relative values, reported as an integer value in OBX-5, and the corresponding AHD time reported in OBX-14. The units-of-measure are s or ms, expressed as MDC units.

B.8.8 Device Time Synchronization Capabilities

OBX-2: CWE

3105

OBX-3: 68219^MDC_TIME_CAP_STATE^MDC

OBX-5: Valid device time capabilities include (one or more):

Table B.8.8-1: OBX-5 Values for Device Time Synchronization Capabilities

OBX-5 values (one or more ...)	Description
<0 or 1>^mds-time-capab-real-time-clock(0),	device supports an internal RTC
<0 or 1>^mds-time-capab-set-clock(1),	device supports Set Time Action
<0 or 1>^mds-time-capab-relative-time(2),	device supports RelativeTime
<0 or 1>^mds-time-capab-high-res-relative-time(3),	device supports HighResRelativeTime
<0 or 1>^mds-time-capab-sync-abs-time(4),	device syncs AbsoluteTime
<0 or 1>^mds-time-capab-sync-rel-time(5),	device syncs RelativeTime
<0 or 1>^mds-time-capab-sync-hi-res-relative-time(6),	device syncs HiResRelativeTime
<0 or 1>^mds-time-state-abs-time-synced(8),	AbsoluteTime is synced
<0 or 1>^mds-time-state-rel-time-synced(9),	RelativeTime is synced
<0 or 1>^mds-time-state-hi-res-relative-time-synced(10),	HiResRelativeTime is synced
<0 or 1>^mds-time-mgr-set-time(11)	manager is encouraged to set the time

B.8.9 Device and/or DOR Synchronization Protocol

3110 Beyond the use of the MDC_ATTR_TIME_ABS, MDC_ATTR_TIME_REL, and MDC_ATTR_TIME_HI_RES time code observations, a DOR Device Observation Report MAY provide additional information about the device clocks, or its own clock, by communicating the MDC_TIME_SYNC_PROTOCOL of a given device.

OBX-2: CWE

3115 OBX-3: 68220^MDC_TIME_SYNC_PROTOCOL^MDC

OBX-5: Valid synchronization profiles include (choice of one):

Table B.8.9-1: OBX-5 Values for Device and/or DOR Synchronization Protocol

OBX-5 values (choice of one)	Synchronization Protocol	Part::Code	Default
532224^MDC_TIME_SYNC_NONE^MDC	An uncalibrated and unsynchronized local clock source	8::7936	± 300 s (5 min)
———^MDC_TIME_SYNC_EBWW^MDC	A manually set time, by ‘eyeball and wristwatch’ ⁶	—:——	± 120 s (2 min)
532225^MDC_TIME_SYNC_NTPV3^MDC	Network Time Protocol Version 3.0 (RFC1305)	8::7937	calculate
532226^MDC_TIME_SYNC_NTPV4^MDC	Network Time Protocol Version 4.0 (under dev)	8::7938	calculate
532227^MDC_TIME_SYNC_SNTPV4^MDC	Simple Network Time Protocol v4 (RFC2030)	8::7939	estimate
532228^MDC_TIME_SYNC_SNTPV4330^MDC	Simple Network Time Protocol v4 (RFC4330)	8::7940	estimate
532229^MDC_TIME_SYNC_BT1^MDC	Bluetooth Medical Device Profile	8::7941	not absolute ⁷
———^MDC_TIME_SYNC_NCK^MDC	HL7 V2 ‘NCK’ System Clock Segment in NMD msg	—:——	+ 5 s, - 0 s
———^MDC_TIME_SYNC_GPS^MDC	Global Positioning Service (GPS)	—:——	calculate

3120 B.9 ORC – Common Order Segment

In PCD-03, the Common Order segment (ORC) is used to transmit fields that are common to all orders (all types of services that are requested). In PCD-01, ORC segments are not sent.

Table B.9-1: HL7 Attribute Table – ORC – Common Order

SEQ	LEN	DT	Usage	Card.	TBL #	ELEMENT NAME
1	2	ID	R	[1..1]	0119	Order Control
2	427	EI	R	[1..1]		Placer Order Number
3	427	EI	X	[0..0]		Filler Order Number
4	22	EI	RE	[0..1]		Placer Group Number
5	2	ID	RE	[0..1]	0038	Order Status
6	1	ID	RE	[0..1]	0121	Response Flag
7	705	TQ	X	[0..0]		Quantity/Timing
8	200	EIP	RE	[0..1]		Parent
9	24	DTM	R	[1..1]		Date/Time of Transaction
10	3220	XCN	RE	[0..*]		Entered By
11	250	XCN	RE	[0..*]		Verified By

⁶ The ‘EBWW’ code was defined in ISO/IEEE 11073-30200, indicating a local time-of-day clock that was manually set by the ‘eyeball and wristwatch’ method.

⁷ The synchronization accuracy of the Bluetooth BT1 clock to an absolute time reference should be reported using MDC_ATTR_TIME_HI_RES, and OBX-5 should contain the value of the BT1 clock.

SEQ	LEN	DT	Usage	Card.	TBL #	ELEMENT NAME
12	3220	XCN	RE	[0..*]		Ordering Provider
13	80	PL	RE	[0..1]		Enterer's Location
14	250	XTN	RE	[0..2]		Call Back Phone Number
15	24	DTM	RE	[0..1]		Order Effective Date/Time
16	705	CWE	RE	[0..1]		Order Control Code Reason
17	705	CWE	RE	[0..1]		Entering Organization
18	705	CWE	RE	[0..1]		Entering Device
19	705	XCN	R	[1..1]		Action By
20	705	CWE	RE	[0..1]	0339	Advanced Beneficiary Notice Code
21	250	XON	RE	[0..*]		Ordering Facility Name
22	250	XAD	RE	[0..*]		Ordering Facility Address
23	250	XTN	RE	[0..*]		Ordering Facility Phone Number
24	250	XAD	RE	[0..*]		Ordering Provider Address
25	705	CWE	RE	[0..1]		Order Status Modifier
26	60	CWE	RE	[0..1]	0552	Advanced Beneficiary Notice Override Reason
27	24	DTM	RE	[0..1]		Filler's Expected Availability Date/Time
28	705	CWE	RE	[0..1]	0177	Confidentiality Code
29	705	CWE	RE	[0..1]	0482	Order Type
30	705	CNE	RE	[0..1]	0483	Enterer Authorization Mode

3125 The following describes the IHE PCD usage of those fields which have a usage other than X in the above table.

ORC-1 Order Control

3130 Definition: Determines the function of the order segment. The PCD TF requires that this field be valued as RE or XO according to the table below when the RGV^O15^RGV_O15 Pharmacy/Treatment Give Message is used to send information from the Infusion Order Programmer (IOP) to the Infusion Order Consumer (IOC).

ORC-1 Value	Use
RE	Start of a new bag, bottle, or container
XO	Change of dose or rate on a currently programmed infusion (not valid for PCA)

ORC-2 Placer Order Number

3135 Definition: This field contains either the pharmacy system order number, the BPOC
 system order ID, or the BPOC administration event ID. This field is a case of the Entity
 Identifier data type. The first component required is a string that identifies an individual
 order (e.g., OBR). It is assigned by the placer (ordering application). It identifies an order
 3140 uniquely among all orders from a particular ordering application. The second through
 fourth components contain the application ID of the placing application in the same form
 as the HD data type. The second component, namespace ID, is a user-defined coded
 value that will be uniquely associated with an application. A given institution or group of
 intercommunicating institutions should establish a unique list of applications that may be
 3145 potential placers and fillers and assign unique application IDs. The components are
 separated by component delimiters.

See Appendix C.5, "EI Data Type" for further information.

See HL7 V2.6 Section 7.4.1.2 for details. This field is required for PCD-03.

ORC-3 Filler Order Number

3150 Components: <Entity Identifier (ST)> ^ <Namespace ID (IS)> ^ <Universal ID (ST)> ^
 <Universal ID Type (ID)>

See HL7 V2.6 Section 4.5.1.3 for details. The PCD TF does not further constrain this
 field.

ORC-4 Placer Group Number

3155 See HL7 V2.6 Section 4.5.1.4 for details. The PCD TF does not further constrain this
 field.

ORC-5 Order Status

See HL7 V2.6 Section 4.5.1.5 for details. The PCD TF does not further constrain this
 field.

ORC-6 Response Flag

3160 See HL7 V2.6 Section 4.5.1.6 for details. The PCD TF does not further constrain this
 field.

ORC-8 Parent

See HL7 V2.6 Section 4.5.1.8 for details. The PCD TF does not further constrain this
 field.

3165 **ORC-9 Date/Time of Transaction**

The time in this field should be the time the clinician initiated the program request, not
 the time the IOP generated the message. The IOC may use this field to determine if the
 request is stale or too old.

3170 See HL7 V2.6 Section 4.5.1.9 for details. The PCD TF does not further constrain this
 field.

ORC-10 Entered By

See HL7 V2.6 Section 4.5.1.10 for details. The PCD TF does not further constrain this field

ORC-11 Verified By

3175 See HL7 V2.6 Section 4.5.1.11 for details. The PCD TF does not further constrain this field.

ORC-12 Ordering Provider

See HL7 V2.6 Section 4.5.1.12 for details. The PCD TF does not further constrain this field.

3180 **ORC-13 Enterer's Location**

See HL7 V2.6 Section 4.5.1.13 for details. The PCD TF does not further constrain this field.

ORC-14 Call Back Phone Number

3185 See HL7 V2.6 Section 4.5.1.14 for details. The PCD TF does not further constrain this field.

ORC-15 Order Effective Date/Time

See HL7 V2.6 Section 4.5.1.15 for details. The PCD TF does not further constrain this field.

ORC-16 Order Control Code Reason

3190 See HL7 V2.6 Section 4.5.1.16 for details. The PCD TF does not further constrain this field.

ORC-17 Entering Organization

See HL7 V2.6 Section 4.5.1.17 for details. The PCD TF does not further constrain this field.

3195 **ORC-18 Entering Device**

See HL7 V2.6 Section 4.5.1.18 for details. The PCD TF does not further constrain this field.

ORC-19 Action By

3200 Components: <ID Number (ST)> ^ <Family Name (FN)> ^ <Given Name (ST)> ^ <Second and Further Given Names or Initials Thereof (ST)> ^ <Suffix (e.g., JR or III) (ST)> ^ <Prefix (e.g., DR) (ST)> ^ <DEPRECATED-Degree (e.g., MD) (IS)> ^ <Source Table (IS)> ^ <Assigning Authority (HD)> ^ <Name Type Code (ID)> ^ <Identifier Check Digit (ST)> ^ <Check Digit Scheme (ID)> ^ <Identifier Type Code (ID)> ^ <Assigning Facility (HD)> ^ <Name Representation Code (ID)> ^ <Name Context (CWE)> ^ <DEPRECATED-Name Validity Range (DR)> ^ <Name Assembly Order (ID)> ^ <Effective Date (DTM)> ^ <Expiration Date (DTM)> ^ <Professional Suffix (ST)> ^ <Assigning Jurisdiction (CWE)> ^ <Assigning Agency or Department (CWE)>

3205

Definition: This field contains the identity of the caregiver who initiated the event.

3210 Subfield XCN-1 "ID number" is required for each identifier.

ORC-20 Advanced Beneficiary Notice Code

See HL7 V2.6 Section 4.5.1.20 for details. The PCD TF does not further constrain this field.

ORC-21 Ordering Facility Name

3215 See HL7 V2.6 Section 4.5.1.21 for details. The PCD TF does not further constrain this field.

ORC-22 Ordering Facility Address

See HL7 V2.6 Section 4.5.1.22 for details. The PCD TF does not further constrain this field.

3220 **ORC-23 Ordering Facility Phone Number**

See HL7 V2.6 Section 4.5.1.23 for details. The PCD TF does not further constrain this field.

ORC-24 Ordering Provider Address

3225 See HL7 V2.6 Section 4.5.1.24 for details. The PCD TF does not further constrain this field.

ORC-25 Order Status Modifier

See HL7 V2.6 Section 4.5.1.25 for details. The PCD TF does not further constrain this field.

ORC-26 Advanced Beneficiary Notice Override Reason

3230 See HL7 V2.6 Section 4.5.1.26 for details. The PCD TF does not further constrain this field.

ORC-27 Filler's Expected Availability Date/Time

See HL7 V2.6 Section 4.5.1.27 for details. The PCD TF does not further constrain this field.

3235 **ORC-28 Confidentiality Code**

See HL7 V2.6 Section 4.5.1.28 for details. The PCD TF does not further constrain this field.

ORC-29 Order Type

3240 See HL7 V2.6 Section 4.5.1.29 for details. The PCD TF does not further constrain this field.

ORC-30 Enterer Authorization Mode

See HL7 V2.6 Section 4.5.1.30 for details. The PCD TF does not further constrain this field.

B.9.1 ORC Observation Control Segment in ACM Transaction PCD-04

3245 This segment is optionally used to convey order request information for alerts involving notification of order request or order result. In addition, this segment may allow the association of the completed observation results reported in OBX segments with a particular previous order request.

Table B.9.1-1: HL7 Attribute Table – ORC – Observation Control

SEQ	LEN	DT	OPT	RP/#	TBL#	ELEMENT NAME
2	22	EI	O			Placer Order Number
12	250	XCN	O	Y		Ordering Provider
14	250	XTN	O	Y/2		Call Back Phone Number

3250

ORC-2 Placer Order Number (EI) 00216

This field is the placer application's order number.

ORC-12 Ordering Provider (XCN) 00226

3255 This field contains the identity of the person who is responsible for creating the request (i.e., ordering physician). ORC-12-ordering provider is the same as OBR-16-ordering provider. If the ordering provider is not present in the ORC, it may be present in the associated OBR. This is particularly important when results are transmitted in an ORU message. In this case, the ORC is not required and the identifying filler order number may be present in the OBR segment.

ORC-14 Call Back Phone Number (XTN) 00228

3260 This field contains the telephone number to call for clarification of a request or other information regarding the order. ORC-14-call back phone number is the same as OBR-17-order callback phone number. If the structure of the telephony dial string is not known then the call back number should be in the Unformatted Telephone number (ST) component of the field.

3265

B.9.2 ORC Observation Control Segment in PIV Application Acknowledgment (RRG^O16^RRG_O16 Pharmacy/Treatment Give Acknowledgement)

In the PIV application acknowledgement, this segment is optionally used by the IOC to contain the order number and other information that is provided in the PCD-03 message.

3270

Table B.9.2-1: HL7 Attribute Table – ORC – Observation Control

SEQ	LEN	DT	OPT	RP/#	TBL#	ELEMENT NAME
2	22	EI	R	[1..1]		Placer Order Number
9	24	DTM	O	[0..1]		Date/Time of Transaction
19	705	XCN	O	[0..1]		Action By

ORC-2 Placer Order Number (EI) 00216

This field is the placer application's order number.

ORC-9 Date/Time of Transaction

3275 The time in this field should be the time the clinician initiated the program request, not the time the IOP generated the message. The IOC may use this field to determine if the request is stale or too old.

See HL7 V2.6 Section 4.5.1.9 for details. The PCD TF does not further constrain this field.

ORC-19 Action By

3280 Components: <ID Number (ST)> ^ <Family Name (FN)> ^ <Given Name (ST)> ^ <Second and Further Given Names or Initials Thereof (ST)> ^ <Suffix (e.g., JR or III) (ST)> ^ <Prefix (e.g., DR) (ST)> ^ <DEPRECATED-Degree (e.g., MD) (IS)> ^ <Source Table (IS)> ^ <Assigning Authority (HD)> ^ <Name Type Code (ID)> ^ <Identifier Check Digit (ST)> ^ <Check Digit Scheme (ID)> ^ <Identifier Type Code (ID)> ^ <Assigning Facility (HD)> ^ <Name Representation Code (ID)> ^ <Name Context (CWE)> ^ <DEPRECATED-Name Validity Range (DR)> ^ <Name Assembly Order (ID)> ^ <Effective Date (DTM)> ^ <Expiration Date (DTM)> ^ <Professional Suffix (ST)> ^ <Assigning Jurisdiction (CWE)> ^ <Assigning Agency or Department (CWE)>

3285
3290 Definition: This field contains the identity of the caregiver who initiated the event.
Subfield XCN-1 "ID number" is required for each identifier.

B.10 PRT Participation Information Segment

3295 The Participation Information segment contains the data necessary to add, update, correct, and delete from the record persons, organizations, or locations (participants) participating in the activity being transmitted.

The hierarchical positional location of the PRT segment within the HL7 message indicates the relationship. When the segment is used following the OBR segment, then the participations relate to the relevant participations in the observation.

3300 The base version of HL7 for IHE PCD transactions is version 2.6. The PRT segment was not included in version 2.6, but rather was newly added in version 2.7. To avoid unnecessary changes to other profiles, the IHE PCD Technical Committee determined that the base version would continue to be 2.6 for the present, but the PRT segment would draw on balloted later versions for needed semantics.

B.10.1 Current PRT Segment use in ACM Profile transactions

3305 Certain IHE PCD transactions in the ACM Profile new to this version of the Framework require the new semantics provided in HL7 version 2.7 for the PRT segment which are not available in version 2.6. These usages are detailed in the discussion below.

3310 In general, the PRT segment is used to describe a participant playing a particular role within the context of the message. In the ACM Profile, the role being played is that of an alert dissemination requested or actual recipient.

B.10.2 Future PRT segment use to support Unique Device Identifiers in the PCD Profiles

3315 Because of the importance of the recently defined Unique Device Identifier from the US FDA, which was developed with extensive international consultation and is thus likely to be of international importance as well, the IHE PCD Technical Committee is preparing to enable the use of this device identification in addition to the IEEE EUI-64 it has previously prescribed for device identification. This relies on changes and additions to the PRT segment added in HL7 version 2.8.2.

3320 In future versions of this Technical Framework, the PRT segment will be used to convey device identification information formerly in the OBX-18 field of the OBX segment, which from V2.7 of HL7 is retained for backward compatibility only. The material discussed under PRT-10 and PRT-16-20 below covers semantics to support inclusion of the FDA Universal Device Identifier (UDI). The use of UDI is not yet required in this version of the Technical Framework but are expected to be required when the requirement is considered timely by the IHE PCD Technical and Planning Committees. In this revision, this information is informative only and this use of the PRT segment is not required in order to make a valid message in the current version of this Technical Framework. Implementers should take note and prepare to support this segment.√
3325 Implementers should consider supporting this optional usage as soon as is practicable for them, to prepare for early testing. For a Device Observation Consumer, it is advisable as a first step to check at a minimum that the PRT segments are accepted without causing unexpected behavior or
3330 error messages even if they are not yet semantically processed.

Table B.10.2-1: HL7 Attribute Table - PRT – Participation Information

SEQ	LEN	DT	OPT	RP/#	TBL#	ELEMENT NAME
1	1..4	EI	C	N		Participation Instance ID
2	2..2	ID	R		0287	Action Code
3		CWE	O			Action Reason
4		CWE	R		0912	Participation
5		XCN	C	Y		Participation Person
6		CWE	C			Participation Person Provider Type
7		CWE	C		0406	Participant Organization Unit Type
8		XON	C	Y		Participation Organization
9		PL	C	Y		Participant Location
10		EI	C	Y		Participation Device
11		DTM	O			Participation Begin Date/Time (arrival time)
12		DTM	O			Participation End Date/Time (departure time)
13		CWE	O			Participation Qualitative Duration
14		XAD	C	Y		Participation Address
15		XTN	O	Y		Participant Telecommunication Address
16		EI	O			Participant Device Identifier
17		DTM	O			Participant Device Manufacture Date
18		DTM	O			Participant Device Expiry Date
19		ST	O			Participant Device Lot Number
20		ST	O			Participant Device Serial Number
21		EI	O			Participant Device Donation Identification
22		CNE	C			Participation Device Type

3335 PRT-1 Participation Instance ID (EI) 02379

Components:<Entity Identifier (ST)> ^ <Namespace ID (IS)> ^ <Universal ID (ST)> ^ <Universal ID Type (ID)>

Definition: This field contains a unique identifier of the specific participation record. In the case of waypoints tracked for a shipment, it identifies the waypoint.

3340

Condition: The identifier is required for traceability

For the Report Alert Status [PCD-05] transaction this is the unique ID of the disseminated message and all status updates on the dissemination should use the same ID value.

PRT-2 Action code (ID) 00816

3345 Definition: This field reveals the intent of the message. Refer to HL7 Table 0287 – Problem/goal action code HL7 Table 0287 – Problem/goal action code for valid values.
 For the Report Alert [PCD-04] transaction the PRT-2 Action code is always AD indicating Add.
 For the Report Alert Status [PCD-05] transaction the PRT-2 Action Code is AD indicating Add for the first status update and UP indicating Update for all others.

PRT-3 Action Reason (CWE) 02380

3355 Components:<Identifier (ST)> ^ <Text (ST)> ^ <Name of Coding System (ID)> ^ <Alternate Identifier (ST)> ^ <Alternate Text (ST)> ^ <Name of Alternate Coding System (ID)> ^ <Coding System Version ID (ST)> ^ <Alternate Coding System Version ID (ST)> ^ <Original Text (ST)> ^ <Second Alternate Identifier (ST)> ^ <Second Alternate Text (ST)> ^ <Name of Second Alternate Coding System (ID)> ^ <Second Alternate Coding System Version ID (ST)> ^ <Coding System OID (ST)> ^ <Value Set OID (ST)> ^ <Value Set Version ID (DTM)> ^ <Alternate Coding System OID (ST)> ^ <Alternate Value Set OID (ST)> ^ <Alternate Value Set Version ID (DTM)> ^ <Second Alternate Coding System OID (ST)> ^ <Second Alternate Value Set OID (ST)> ^ <Second Alternate Value Set Version ID (DTM)>

3360 Definition: This field indicates the reason why the person, organization, location, or device is assuming (or changing) the role (e.g., shift change, new primary nurse, etc.).
 For the Report Alert [PCD-04] transaction the PRT-3 Action Reason, Text, is not populated.

For the Report Alert Status [PCD-05] transaction the PRT-3 Action Reason, Text, is the Report Dissemination Alert Status [PCD-07] status text value, and the Coding System is IHE_PCD_ACM.

3370 Alert Communicator (AC) status values correlated from the Report Dissemination Alert Status [PCD-07] status values to be returned to the Alert Manager (AM) resulting from Disseminate Alert [PCD-06] from Alert Manager (AM) to Alert Communicator (AC) and transcribed into PRT-3-2 Text.

Table B.10.2-2: Communication Status Enumeration from Report Dissemination Alert Status [PCD-07]

3375

Req.	Value for PRT-3-2	Description
R	Received	Received by Alert Communicator (AC)
R	Undeliverable	Undeliverable to endpoint
R	Delivered	Delivered to endpoint
R	Read	Read at endpoint
R	Accepted	Accepted by endpoint
O	AcceptedPositive	Accepted by endpoint as true positive
O	AcceptedNotRelevant	Accepted by endpoint as true positive however not clinically relevant
O	AcceptedFalse	Accepted by endpoint as false positive
R	Rejected	Rejected by endpoint

Req.	Value for PRT-3-2	Description
O	Cancelled	Cancelled by endpoint (does not cancel at alert source)
O	CancelledOther	Cancelled by other than endpoint (does not cancel alert at source)
O	CallbackStart	Callback start at endpoint (start of telephony call to alert indicated destination)
O	CallbackEnd	Callback end at endpoint (end of telephony call to alert indicated destination)

PRT-4 Participation (CWE) 02381

3380 Components:<Identifier (ST)> ^ <Text (ST)> ^ <Name of Coding System (ID)> ^ <Alternate Identifier (ST)> ^ <Alternate Text (ST)> ^ <Name of Alternate Coding System (ID)> ^ <Coding System Version ID (ST)> ^ <Alternate Coding System Version ID (ST)> ^ <Original Text (ST)> ^ <Second Alternate Identifier (ST)> ^ <Second Alternate Text (ST)> ^ <Name of Second Alternate Coding System (ID)> ^ <Second Alternate Coding System Version ID (ST)> ^ <Coding System OID (ST)> ^ <Value Set OID (ST)> ^ <Value Set Version ID (DTM)> ^ <Alternate Coding System OID (ST)> ^ <Alternate Value Set OID (ST)> ^ <Alternate Value Set Version ID (DTM)> ^ <Second Alternate Coding System OID (ST)> ^ <Second Alternate Value Set OID (ST)> ^ <Second Alternate Value Set Version ID (DTM)>

3385
3390 Definition: This field indicates the functional involvement with the activity being transmitted (e.g., Case Manager, Evaluator, Transcriber, Nurse Care Practitioner, Midwife, Physician Assistant, etc.). Refer to HL7 Table 917 for valid values.

For the Report Alert [PCD-04] transaction the presence of one or more PRT segments containing PRT-4 Participation Identifier, Text is RCT (indicating Result Copies To) indicates Alert Reporter direct indication of additional recipients.

3395 For the Report Alert [PCD-04] transaction the PRT-4 Participation Identifier, Text is RO (indicating Responsible Observer).

For the Report Alert Status [PCD-05] transaction the PRT-4 Participation Identifier, Text is RO (indicating Responsible Observer), and Alternative Identifier is AAP for Alert Acknowledging Provider.

3400 **Table B.10.2-3: HL7 Table 0912 - Participation**

Value	Description	Used with
AD	Admitting Provider	PV1-17 Admitting doctor
AI	Assistant/Alternate Interpreter	
AAP	Alert Acknowledging Provider	PCD ACM Report Alert Status [PCD-05]
AP	Administering Provider	RXA-10 Administering Provider
ARI	Assistant Result Interpreter	
AT	Attending Provider	PV1-7 Attending doctor
AUT	AUT Author/Event Initiator	ORC-19 Action By
CP	Consulting Provider	
DP	Dispensing Provider	RXD-10 Dispensing Provider

Value	Description	Used with
EP	Entering Provider (probably not the same as transcriptionist?)	ORC-10 Entered By
EQUIP	Equipment	
FHCP	Family Health Care Professional	
MDIR	Medical Director	OBX-25 Performing Organization Medical Director
OP	Ordering Provider	ORC-12 Ordering Provider, OBR-16 Ordering Provider, RXO-14 Ordering Provider's DEA Number, RXE-13 Ordering Provider's DEA Number, ORC-24 Ordering Provider Address
PB	Packed by	
PH	Pharmacist (not sure how to dissect Pharmacist/Treatment Supplier's Verifier ID)	RXE-14 Pharmacist/Treatment Supplier's Verifier ID
PI	Primary Interpreter	
PO	Performing Organization	
POMD	Performing Organization Medical Director	
PP	Primary Care Provider	
PRI	Principal Result Interpreter	
RCT	Results Copies To	
RO	Responsible Observer	OBX-16 Responsible Observer
RP	Referring Provider	PV1-8 Referring doctor
RT	Referred to Provider	
SB	Send by	
SC	Specimen Collector	OBR-10 Collector Identifier
TN	Technician	
TR	Transcriptionist	
VP	Verifying Provider	ORC-11 Verified By
VPS	Verifying Pharmaceutical Supplier (not sure how to dissect Pharmacist/Treatment Supplier's Verifier ID)	RXE-14 Pharmacist/Treatment Supplier's Verifier ID
VTS	Verifying Treatment Supplier (not sure how to dissect Pharmacist/Treatment Supplier's Verifier ID)	RXE-14 Pharmacist/Treatment Supplier's Verifier ID
WAY	Waypoint	
WAYR	Waypoint Recipient	

PRT-5 Participation Person (XCN) 02382

Components: <Person Identifier (ST)> ^ <Family Name (FN)> ^ <Given Name (ST)> ^ <Second and Further Given Names or Initials Thereof (ST)> ^ <Suffix (e.g., JR or III) (ST)> ^ <Prefix (e.g., DR) (ST)> ^ <WITHDRAWN Constituent> ^

3405

3470 Version ID (ST) & <Alternate Coding System Version ID (ST)> & <Original
Text (ST)> & <Second Alternate Identifier (ST)> & <Second Alternate Text
(ST)> & <Name of Second Alternate Coding System (ID)> & <Second Alternate
3475 Coding System Version ID (ST)> & <Coding System OID (ST)> & <Value Set OID
(ST)> & <Value Set Version ID (DTM)> & <Alternate Coding System OID (ST)>
& <Alternate Value Set OID (ST)> & <Alternate Value Set Version ID (DTM)>
& <Second Alternate Coding System OID (ST)> & <Second Alternate Value Set
OID (ST)> & <Second Alternate Value Set Version ID (DTM)>

Subcomponents for Assigning Agency or Department (CWE): <Identifier (ST)> & <Text
(ST)> & <Name of Coding System (ID)> & <Alternate Identifier (ST)> &
<Alternate Text (ST)> & <Name of Alternate Coding System (ID)> & <Coding
3480 System Version ID (ST)> & <Alternate Coding System Version ID (ST)> &
<Original Text (ST)> & <Second Alternate Identifier (ST)> & <Second
Alternate Text (ST)> & <Name of Second Alternate Coding System (ID)> &
<Second Alternate Coding System Version ID (ST)> & <Coding System OID
(ST)> & <Value Set OID (ST)> & <Value Set Version ID (DTM)> & <Alternate
3485 Coding System OID (ST)> & <Alternate Value Set OID (ST)> & <Alternate
Value Set Version ID (DTM)> & <Second Alternate Coding System OID (ST)> &
<Second Alternate Value Set OID (ST)> & <Second Alternate Value Set
Version ID (DTM)>

Definition: This field contains the identity of the person who is represented in the participation that is being transmitted.

3490 If this attribute repeats, all instances must represent the same person.

Condition: At least one of the Participation Person, Participation Organization, Participation Location, or Participation Device fields must be valued.

3495 For the Report Alert [PCD-04] transaction the PRT-5 participation Person is the identification of an additional recipient of the dissemination of the alert. The PRT-15 Participation Telecommunication Address may also be used if only a PIN/Carrier destination is known.

For the Report Alert Status [PCD-05] transaction the PRT-5 Participation Person is the identification of the person that was the participating recipient of the message.

3500 PRT-6 Participation Person Provider Type (CWE) 02383

Components:<Identifier (ST)> ^ <Text (ST)> ^ <Name of Coding System (ID)> ^ <Alternate
Identifier (ST)> ^ <Alternate Text (ST)> ^ <Name of Alternate Coding
3505 System (ID)> ^ <Coding System Version ID (ST)> ^ <Alternate Coding System
Version ID (ST)> ^ <Original Text (ST)> ^ <Second Alternate Identifier
(ST)> ^ <Second Alternate Text (ST)> ^ <Name of Second Alternate Coding
System (ID)> ^ <Second Alternate Coding System Version ID (ST)> ^ <Coding
System OID (ST)> ^ <Value Set OID (ST)> ^ <Value Set Version ID (DTM)> ^
<Alternate Coding System OID (ST)> ^ <Alternate Value Set OID (ST)> ^
3510 <Alternate Value Set Version ID (DTM)> ^ <Second Alternate Coding System
OID (ST)> ^ <Second Alternate Value Set OID (ST)> ^ <Second Alternate
Value Set Version ID (DTM)>

Definition: This field contains a code identifying the provider type for the participating person. This attribute correlates to the following master file attribute: STF-4 Staff Type. Coded values from the correlated master file table are used; the user defined master file table is used as the coding system for this attribute. For example, if you are using values from STF-2 Staff Type, the coding system would be HL70182 which is the table number for the user defined Staff Type table. This field is included in this segment to support

international requirements. When ROL is used in an encounter message, it is not intended as a master file update.

3520 Condition: This field may only be valued if PRT-5 Participation Person is valued.

For the Report Alert Status [PCD-05] transaction this field is not populated.

PRT-7 Participation Organization Unit Type (CWE) 02384

3525 Components:<Identifier (ST)> ^ <Text (ST)> ^ <Name of Coding System (ID)> ^ <Alternate Identifier (ST)> ^ <Alternate Text (ST)> ^ <Name of Alternate Coding System (ID)> ^ <Coding System Version ID (ST)> ^ <Alternate Coding System Version ID (ST)> ^ <Original Text (ST)> ^ <Second Alternate Identifier (ST)> ^ <Second Alternate Text (ST)> ^ <Name of Second Alternate Coding System (ID)> ^ <Second Alternate Coding System Version ID (ST)> ^ <Coding System OID (ST)> ^ <Value Set OID (ST)> ^ <Value Set Version ID (DTM)> ^ <Alternate Coding System OID (ST)> ^ <Alternate Value Set OID (ST)> ^ <Alternate Value Set Version ID (DTM)> ^ <Second Alternate Coding System OID (ST)> ^ <Second Alternate Value Set OID (ST)> ^ <Second Alternate Value Set Version ID (DTM)>

3535 Definition: This field identifies the environment in which the participant acts in the role specified in PRT-3 Action Reason. In the case of a person, the environment is not the specialty for the provider. The specialty information for the provider is defined in the PRA segment.

3540 This attribute is included in the PRT segment to allow communication of this data when the participant information may not have been communicated previously in a master file or to provide better context. Refer to *User-defined table 0406 - Organization unit type*. This field is included in this segment to support international requirements, and is not intended as a master file update.

Condition: This field may only be valued if PRT-5 Participation Person is valued.

For the Report Alert Status [PCD-05] transaction this field is not populated.

3545 PRT-8 Participation Organization (XON) 02385

3550 Components:<Organization Name (ST)> ^ <Organization Name Type Code (CWE)> ^ <WITHDRAWN Constituent> ^ <Identifier Check Digit (NM)> ^ <Check Digit Scheme (ID)> ^ <Assigning Authority (HD)> ^ <Identifier Type Code (ID)> ^ <Assigning Facility (HD)> ^ <Name Representation Code (ID)> ^ <Organization Identifier (ST)>

3555 Subcomponents for Organization Name Type Code (CWE): <Identifier (ST)> & <Text (ST)> & <Name of Coding System (ID)> & <Alternate Identifier (ST)> & <Alternate Text (ST)> & <Name of Alternate Coding System (ID)> & <Coding System Version ID (ST)> & <Alternate Coding System Version ID (ST)> & <Original Text (ST)> & <Second Alternate Identifier (ST)> & <Second Alternate Text (ST)> & <Name of Second Alternate Coding System (ID)> & <Second Alternate Coding System Version ID (ST)> & <Coding System OID (ST)> & <Value Set OID (ST)> & <Value Set Version ID (DTM)> & <Alternate Coding System OID (ST)> & <Alternate Value Set OID (ST)> & <Alternate Value Set Version ID (DTM)> & <Second Alternate Coding System OID (ST)> & <Second Alternate Value Set OID (ST)> & <Second Alternate Value Set Version ID (DTM)>

3560 Subcomponents for Assigning Authority (HD): <Namespace ID (CWE)> & <Universal ID (ST)> & <Universal ID Type (ID)>

3565 Subcomponents for Namespace ID (CWE): <Identifier (ST)> & <Text (ST)> & <Name of Coding System (ID)> & <Alternate Identifier (ST)> & <Alternate Text (ST)> & <Name of Alternate Coding System (ID)> & <Coding System Version ID (ST)> & <Alternate Coding System Version ID (ST)> & <Original Text (ST)> & <Second Alternate Identifier (ST)> & <Second Alternate Text (ST)> & <Name

3570 of Second Alternate Coding System (ID) & <Second Alternate Coding System Version ID (ST)> & <Coding System OID (ST)> & <Value Set OID (ST)> & <Value Set Version ID (DTM)> & <Alternate Coding System OID (ST)> & <Alternate Value Set OID (ST)> & <Alternate Value Set Version ID (DTM)> & <Second Alternate Coding System OID (ST)> & <Second Alternate Value Set OID (ST)> & <Second Alternate Value Set Version ID (DTM)>

3575 Subcomponents for Assigning Facility (HD): <Namespace ID (CWE)> & <Universal ID (ST)> & <Universal ID Type (ID)>

3580 Subcomponents for Namespace ID (CWE): <Identifier (ST)> & <Text (ST)> & <Name of Coding System (ID)> & <Alternate Identifier (ST)> & <Alternate Text (ST)> & <Name of Alternate Coding System (ID)> & <Coding System Version ID (ST)> & <Alternate Coding System Version ID (ST)> & <Original Text (ST)> & <Second Alternate Identifier (ST)> & <Second Alternate Text (ST)> & <Name of Second Alternate Coding System (ID)> & <Second Alternate Coding System Version ID (ST)> & <Coding System OID (ST)> & <Value Set OID (ST)> & <Value Set Version ID (DTM)> & <Alternate Coding System OID (ST)> & <Alternate Value Set OID (ST)> & <Alternate Value Set Version ID (DTM)> & <Second Alternate Coding System OID (ST)> & <Second Alternate Value Set OID (ST)> & <Second Alternate Value Set Version ID (DTM)>

3590 **Definition:** The organization that is involved in the participation. If PRT-5 Participation Person is valued, it reflects the affiliation of the individual participating as identified in PRT-4 Participation. Otherwise, the organization is directly participating as identified in PRT-4 Participation.

If this attribute repeats, all instances must represent the same organization.

Condition: At least one of the Participation Person, Participation Organization, Participation Location, or Participation Device fields must be valued.

3595 For the Report Alert Status [PCD-05] transaction this field is not populated.

PRT-9 Participation Location (PL) 02386

3600 **Components:**<Point of Care (HD)> ^ <Room (HD)> ^ <Bed (HD)> ^ <Facility (HD)> ^ <Location Status (IS)> ^ <Person Location Type (IS)> ^ <Building (HD)> ^ <Floor (HD)> ^ <Location Description (ST)> ^ <Comprehensive Location Identifier (EI)> ^ <Assigning Authority for Location (HD)>

3605 Subcomponents for Point of Care (HD): <Namespace ID (CWE)> & <Universal ID (ST)> & <Universal ID Type (ID)>

3610 Subcomponents for Namespace ID (CWE): <Identifier (ST)> & <Text (ST)> & <Name of Coding System (ID)> & <Alternate Identifier (ST)> & <Alternate Text (ST)> & <Name of Alternate Coding System (ID)> & <Coding System Version ID (ST)> & <Alternate Coding System Version ID (ST)> & <Original Text (ST)> & <Second Alternate Identifier (ST)> & <Second Alternate Text (ST)> & <Name of Second Alternate Coding System (ID)> & <Second Alternate Coding System Version ID (ST)> & <Coding System OID (ST)> & <Value Set OID (ST)> & <Value Set Version ID (DTM)> & <Alternate Coding System OID (ST)> & <Alternate Value Set OID (ST)> & <Alternate Value Set Version ID (DTM)> & <Second Alternate Coding System OID (ST)> & <Second Alternate Value Set OID (ST)> & <Second Alternate Value Set Version ID (DTM)>

3615 Subcomponents for Room (HD): <Namespace ID (CWE)> & <Universal ID (ST)> & <Universal ID Type (ID)>

3620 Subcomponents for Namespace ID (CWE): <Identifier (ST)> & <Text (ST)> & <Name of Coding System (ID)> & <Alternate Identifier (ST)> & <Alternate Text (ST)> & <Name of Alternate Coding System (ID)> & <Coding System Version ID (ST)> & <Alternate Coding System Version ID (ST)> & <Original Text (ST)> & <Second Alternate Identifier (ST)> & <Second Alternate Text (ST)> & <Name of Second Alternate Coding System (ID)> & <Second Alternate Coding System Version ID (ST)> & <Coding System OID (ST)> & <Value Set OID (ST)> & <Value Set Version ID (DTM)> & <Alternate Coding System OID (ST)> &

- 3625 <Alternate Value Set OID (ST)> & <Alternate Value Set Version ID (DTM)> & <Second Alternate Coding System OID (ST)> & <Second Alternate Value Set OID (ST)> & <Second Alternate Value Set Version ID (DTM)>
- Subcomponents for Bed (HD): <Namespace ID (CWE)> & <Universal ID (ST)> & <Universal ID Type (ID)>
- 3630 Subcomponents for Namespace ID (CWE): <Identifier (ST)> & <Text (ST)> & <Name of Coding System (ID)> & <Alternate Identifier (ST)> & <Alternate Text (ST)> & <Name of Alternate Coding System (ID)> & <Coding System Version ID (ST)> & <Alternate Coding System Version ID (ST)> & <Original Text (ST)> & <Second Alternate Identifier (ST)> & <Second Alternate Text (ST)> & <Name of Second Alternate Coding System (ID)> & <Second Alternate Coding System Version ID (ST)> & <Coding System OID (ST)> & <Value Set OID (ST)> & <Value Set Version ID (DTM)> & <Alternate Coding System OID (ST)> & <Alternate Value Set OID (ST)> & <Alternate Value Set Version ID (DTM)> & <Second Alternate Coding System OID (ST)> & <Second Alternate Value Set OID (ST)> & <Second Alternate Value Set Version ID (DTM)>
- 3635
- 3640 Subcomponents for Facility (HD): <Namespace ID (CWE)> & <Universal ID (ST)> & <Universal ID Type (ID)>
- Subcomponents for Namespace ID (CWE): <Identifier (ST)> & <Text (ST)> & <Name of Coding System (ID)> & <Alternate Identifier (ST)> & <Alternate Text (ST)> & <Name of Alternate Coding System (ID)> & <Coding System Version ID (ST)> & <Alternate Coding System Version ID (ST)> & <Original Text (ST)> & <Second Alternate Identifier (ST)> & <Second Alternate Text (ST)> & <Name of Second Alternate Coding System (ID)> & <Second Alternate Coding System Version ID (ST)> & <Coding System OID (ST)> & <Value Set OID (ST)> & <Value Set Version ID (DTM)> & <Alternate Coding System OID (ST)> & <Alternate Value Set OID (ST)> & <Alternate Value Set Version ID (DTM)> & <Second Alternate Coding System OID (ST)> & <Second Alternate Value Set OID (ST)> & <Second Alternate Value Set Version ID (DTM)>
- 3645
- 3650 Subcomponents for Building (HD): <Namespace ID (CWE)> & <Universal ID (ST)> & <Universal ID Type (ID)>
- Subcomponents for Namespace ID (CWE): <Identifier (ST)> & <Text (ST)> & <Name of Coding System (ID)> & <Alternate Identifier (ST)> & <Alternate Text (ST)> & <Name of Alternate Coding System (ID)> & <Coding System Version ID (ST)> & <Alternate Coding System Version ID (ST)> & <Original Text (ST)> & <Second Alternate Identifier (ST)> & <Second Alternate Text (ST)> & <Name of Second Alternate Coding System (ID)> & <Second Alternate Coding System Version ID (ST)> & <Coding System OID (ST)> & <Value Set OID (ST)> & <Value Set Version ID (DTM)> & <Alternate Coding System OID (ST)> & <Alternate Value Set OID (ST)> & <Alternate Value Set Version ID (DTM)> & <Second Alternate Coding System OID (ST)> & <Second Alternate Value Set OID (ST)> & <Second Alternate Value Set Version ID (DTM)>
- 3655
- 3660 Subcomponents for Floor (HD): <Namespace ID (CWE)> & <Universal ID (ST)> & <Universal ID Type (ID)>
- Subcomponents for Namespace ID (CWE): <Identifier (ST)> & <Text (ST)> & <Name of Coding System (ID)> & <Alternate Identifier (ST)> & <Alternate Text (ST)> & <Name of Alternate Coding System (ID)> & <Coding System Version ID (ST)> & <Alternate Coding System Version ID (ST)> & <Original Text (ST)> & <Second Alternate Identifier (ST)> & <Second Alternate Text (ST)> & <Name of Second Alternate Coding System (ID)> & <Second Alternate Coding System Version ID (ST)> & <Coding System OID (ST)> & <Value Set OID (ST)> & <Value Set Version ID (DTM)> & <Alternate Coding System OID (ST)> & <Alternate Value Set OID (ST)> & <Alternate Value Set Version ID (DTM)> & <Second Alternate Coding System OID (ST)> & <Second Alternate Value Set OID (ST)> & <Second Alternate Value Set Version ID (DTM)>
- 3665
- 3670 Subcomponents for Comprehensive Location Identifier (EI): <Entity Identifier (ST)> & <Namespace ID (IS)> & <Universal ID (ST)> & <Universal ID Type (ID)>
- Subcomponents for Assigning Authority for Location (HD): <Namespace ID (CWE)> & <Universal ID (ST)> & <Universal ID Type (ID)>
- 3675
- 3680

3685 Subcomponents for Namespace ID (CWE): <Identifier (ST)> & <Text (ST)> & <Name of
 Coding System (ID)> & <Alternate Identifier (ST)> & <Alternate Text (ST)>
 3690 & <Name of Alternate Coding System (ID)> & <Coding System Version ID (ST)>
 & <Alternate Coding System Version ID (ST)> & <Original Text (ST)> &
 <Second Alternate Identifier (ST)> & <Second Alternate Text (ST)> & <Name
 of Second Alternate Coding System (ID)> & <Second Alternate Coding System
 Version ID (ST)> & <Coding System OID (ST)> & <Value Set OID (ST)> &
 <Value Set Version ID (DTM)> & <Alternate Coding System OID (ST)> &
 <Alternate Value Set OID (ST)> & <Alternate Value Set Version ID (DTM)> &
 <Second Alternate Coding System OID (ST)> & <Second Alternate Value Set
 OID (ST)> & <Second Alternate Value Set Version ID (DTM)>

3695 Definition: This field specifies the physical location (e.g., nurse station, ancillary service location, clinic, or floor) that is participating. If either PRT-5 Participation Person or PRT-8 Participation Organization is valued, it reflects the location of the individual or organization participating as identified in PRT-4 Participation. Otherwise, the location is directly participating as identified in PRT-4 Participation.

If this attribute repeats, all instances must represent the same organization.

3700 Condition: At least one of the Participation Person, Participation Organization, Participation Location, or Participation Device fields must be valued.

For the Report Alert Status [PCD-05] transaction this field is optional.

PRT-10 Participation Device (EI) 02348

3705 Components:<Entity Identifier (ST)> ^ <Namespace ID (IS)> ^ <Universal ID (ST)> ^
 <Universal ID Type (ID)>

Definition: Identifier for the device participating. This may reflect an unstructured or a structured identifier such as FDA UDI, RFID, IEEE EUI-64 identifiers, or bar codes.

If this attribute repeats, all instances must represent the same device.

3710 Condition: At least one of the Participation Person, Participation Organization, Participation Location, or Participation Device fields must be valued.

For the Report Alert Status [PCD-05] transaction the Entity Identifier is the PIN/Carrier or device communication ID and namespace ID is the Alert Communicator (AC) or Alert Manager (AM) ID.

3715 Future implementation notes: as of HL7 V2.7, identifying devices in the OBX-18 field of the OBX segment is retained for backward compatibility only. This field will be represented through the PRT segment. Future versions of the IHE PCD Technical Framework will require the use of this segment, which will also provide for including the Unique Device Identification adopted by the U.S. F.D.A. and being considered by regulatory agencies in other jurisdictions.

3720 If this field contains an FDA UDI, it shall contain the entire Human Readable Form of the UDI. For example, a GS1-based UDI would be represented as follows:

|{(01)00643169001763(17)160712(21)21A11F4855^^2.16.840.1.113883.3.3719^ISO|

A HIBCC-based example would be represented as follows:

3725 |H123PARTNO1234567890120/\$\$420020216LOT123456789012345/SXYZ4567890123 45678/16D20130202C^^2.16.840.1.113883.3.3719^ISO

An ICCBBA-based example would be represented as follows:

|=/A9999XYZ100T0944=,000025=A99971312345600=>014032=}013032\T,100000000000XYZ123^^2.16.840.1.113883.3.3719^ISO|

Or for ICCBBA for blood bags only an example would be represented as follows:

3730 |)=1TE123456A\T)\RZ12345678^^2.16.840.1.113883.3.3719^ISO|

The identifier root shall be the OID assigned to UDI. For example, for FDA UDIs the root shall be 2.16.840.1.113883.3.3719, and the extension shall be the Human Readable Form appropriate for the style of content. When captured as a simple string, the string shall be the Human Readable Form appropriate for the style of content. The content style can be determined from the leading characters of the content:

3735

UDIs beginning with:

‘(‘ are in the GS1 Human Readable style;

‘0-9’ are a GS1 DI (containing only the DI value, no PI or GS1 AI);

‘+‘ are in the HIBCC Human Readable style;

3740

‘=‘ or ‘&’ are in the ICCBBA Human Readable style.

Note: If “&” is used in the UDI while one of the delimiters in MSH.2 includes “&” as well, it must be properly escaped per Chapter 2.7.

The exchange of UDI sub-elements in PRT-16 through PRT-21 is not required when the full UDI string is provided in PRT.10. Whether to include some or all these fields as well when PRT-10 is present with a UDI that the rules are subject to specific implementation guides that will have to consider the patient safety implications of potentially conflicting data.

3745

When a UDI is provided and sub-elements are also provided, then for those sub-elements that are valued, the content must match the content encoded in the UDI if it is encoded within the UDI.

3750

Caution: The UDI may contain personally identifying information in the form of the device serial number which may be used to link to other information on a patient. Standard practice for exchanging potentially identifying content should be exercised when exchanging UDIs which contain a serial number.

3755

Note: PRT.10 is a repeating field. Additional device identifiers, such as an IEEE EUI-64 may also be contained in this field.

PRT-11 Participation Begin Date/Time (DTM) 02387

Definition: This field contains the date/time when the participation began.

In the case of waypoints, this reflects the time a shipment arrives at the waypoint.

3760 For the Report Alert Status [PCD-05] transaction this field contains the time of the dissemination status or response update.

PRT-12 Participation End Date/Time (DTM) 02388

Definition: This field contains the date/time when the participation ended.

In the case of waypoints, this reflects the time a shipment departs from the waypoint.

3765 For the Report Alert Status [PCD-05] transaction this field is not populated.

PRT-13 Participation Qualitative Duration (CWE) 02389

Components:<Identifier (ST)> ^ <Text (ST)> ^ <Name of Coding System (ID)> ^ <Alternate Identifier (ST)> ^ <Alternate Text (ST)> ^ <Name of Alternate Coding System (ID)> ^ <Coding System Version ID (ST)> ^ <Alternate Coding System Version ID (ST)> ^ <Original Text (ST)> ^ <Second Alternate Identifier (ST)> ^ <Second Alternate Text (ST)> ^ <Name of Second Alternate Coding System (ID)> ^ <Second Alternate Coding System Version ID (ST)> ^ <Coding System OID (ST)> ^ <Value Set OID (ST)> ^ <Value Set Version ID (DTM)> ^ <Alternate Coding System OID (ST)> ^ <Alternate Value Set OID (ST)> ^ <Alternate Value Set Version ID (DTM)> ^ <Second Alternate Coding System OID (ST)> ^ <Second Alternate Value Set OID (ST)> ^ <Second Alternate Value Set Version ID (DTM)>

3770

3775

Definition: This field contains the qualitative length of time for participation (e.g., until the next assessment, four days, until discharge, etc.).

3780 For the Report Alert Status [PCD-05] transaction this field is not populated.

PRT-14 Participation Address (XAD) 02390

Components:<Street Address (SAD)> ^ <Other Designation (ST)> ^ <City (ST)> ^ <State or Province (ST)> ^ <Zip or Postal Code (ST)> ^ <Country (ID)> ^ <Address Type (ID)> ^ <Other Geographic Designation (ST)> ^ <County/Parish Code (CWE)> ^ <Census Tract (CWE)> ^ <Address Representation Code (ID)> ^ <WITHDRAWN Constituent> ^ <Effective Date (DTM)> ^ <Expiration Date (DTM)> ^ <Expiration Reason (CWE)> ^ <Temporary Indicator (ID)> ^ <Bad Address Indicator (ID)> ^ <Address Usage (ID)> ^ <Addressee (ST)> ^ <Comment (ST)> ^ <Preference Order (NM)> ^ <Protection Code (CWE)> ^ <Address Identifier (EI)>

3785

3790

Subcomponents for Street Address (SAD): <Street or Mailing Address (ST)> & <Street Name (ST)> & <Dwelling Number (ST)>

Subcomponents for County/Parish Code (CWE): <Identifier (ST)> & <Text (ST)> & <Name of Coding System (ID)> & <Alternate Identifier (ST)> & <Alternate Text (ST)> & <Name of Alternate Coding System (ID)> & <Coding System Version ID (ST)> & <Alternate Coding System Version ID (ST)> & <Original Text (ST)> & <Second Alternate Identifier (ST)> & <Second Alternate Text (ST)> & <Name of Second Alternate Coding System (ID)> & <Second Alternate Coding System Version ID (ST)> & <Coding System OID (ST)> & <Value Set OID (ST)> & <Value Set Version ID (DTM)> & <Alternate Coding System OID (ST)> & <Alternate Value Set OID (ST)> & <Alternate Value Set Version ID (DTM)> & <Second Alternate Coding System OID (ST)> & <Second Alternate Value Set OID (ST)> & <Second Alternate Value Set Version ID (DTM)>

3795

3800

Subcomponents for Census Tract (CWE): <Identifier (ST)> & <Text (ST)> & <Name of Coding System (ID)> & <Alternate Identifier (ST)> & <Alternate Text (ST)> & <Name of Alternate Coding System (ID)> & <Coding System Version ID (ST)> & <Alternate Coding System Version ID (ST)> & <Original Text (ST)> & <Second Alternate Identifier (ST)> & <Second Alternate Text (ST)> & <Name of Second Alternate Coding System (ID)> & <Second Alternate Coding System Version ID (ST)> & <Coding System OID (ST)> & <Value Set OID (ST)> & <Value Set Version ID (DTM)> & <Alternate Coding System OID (ST)> & <Alternate Value Set OID (ST)> & <Alternate Value Set Version ID (DTM)> &

3805

3810

<Value Set Version ID (DTM)> & <Alternate Coding System OID (ST)> &
 <Alternate Value Set OID (ST)> & <Alternate Value Set Version ID (DTM)> &
 <Second Alternate Coding System OID (ST)> & <Second Alternate Value Set
 OID (ST)> & <Second Alternate Value Set Version ID (DTM)>

3875 Subcomponents for Shared Telecommunication Identifier (EI): <Entity Identifier (ST)>
 & <Namespace ID (IS)> & <Universal ID (ST)> & <Universal ID Type (ID)>

3880 **Definition:** The waypoint telecommunication address field carries telecommunications addresses for the waypoint. These telecommunications addresses are used to contact the waypoint for additional information regarding the receipt of the shipment. The address can repeat to indicate alternate addresses or an alternate expression of the same address.

For the Report Alert [PCD-04] transaction this field may also be used if only a PIN/Carrier destination is known, in which case the PIN is in the first sub-component of the Communication Address component and the Carrier is in the second sub-component of the Communication Address component.

3885 For the Report Alert Status [PCD-05] transaction, if the PIN/Carrier of the recipient is known then this would contain that information just as it is passed in Report Alert [PCD-04] so that the Alert Reporter could use this information to contact the recipient.

PRT-16 Participation Device Identifier (EI) 03476

3890 **Components:** <Entity Identifier (ST)> ^ <Namespace ID (IS)> ^ <Universal ID (ST)> ^ <Universal ID Type (ID)>

Definition: Provides the U.S. FDA UDI device identifier (DI) element.

This is the first component in the UDI and acts as the look up key for the Global Unique Device Identification Database (GUDID), and may be used for retrieving additional attributes.

3895 When exchanging Device Identifiers (DI) the root shall be the OID, or standards' appropriate corollary to the OID, assigned to DI and the extension shall be the Human Readable Form of the content. For example, for DIs the root shall be:

GS1 DIs: 2.51.1.1

HIBCC DIs: 1.0.15961.10.816

3900 ICCBBA DIs: 2.16.840.1.113883.6.18.1.17 for Blood containers and 2.16.840.1.113883.6.18.1.34 otherwise.

Example: |00643169001763^^2.51.1.1^ISO|

7.1.1.2 **PRT-17 Participation Device Manufacture Date (DTM) 03477**

Definition: Date and time when the device was manufactured.

3905 **Note:** The user system may need to convert the date and optional hour from the UDI Human Readable Form to a timestamp style data type, augmenting the date as required to provide for a complete date and optionally the hour.

Example: |20140401|

PRT-18 Participation Device Expiry Date (DTM) 03478

- 3910 Definition: Date and time when the device is no longer approved for use. Not generally applicable in IHE PCD transactions.
- Note: The user system may need to convert the date and optional hour from the UDI Human Readable Form to a timestamp style data type, augmenting the date as required to provide for a complete date and optionally the hour.

3915 Example: |20160712|

PRT-19 Participation Device Lot Number (ST) 03479

Definition: Alphanumeric string that identifies the device's production lot number.

Example: |123ABC|

PRT-20 Participation Device Serial Number (ST) 03480

- 3920 Definition: Manufacturer's serial number for this device.

CAUTION: See the related privacy considerations discussion in PRT.10.

Example: |21A11F4855|

B.10.3 PRT Participation Information Segment in ACM Transactions PCD-04 and PCD-05

- 3925 A Report Alert [PCD-04] transaction can optionally contain multiple occurrences of the Participation Information (PRT) segment to indicate additional alert notification recipients in addition to any alert notification recipients identified internally by the Alert Manager (AM).

- 3930 A Report Alert Status [PCD-05] transaction can contain multiple occurrences of the Participation Information (PRT) segment to indicate the recipient person and/or endpoint communication device to which an alert was disseminated (successfully or unsuccessfully) and the endpoint communication device operator response. PRT segment optionality and repeat indications are specific to the PCD-04 and PCD-05 messages. There is one recipient person or device per PRT segment occurrence. The group of PRT segments optionally identifying the additional recipients is in the PCD-04 or PCD-05 message occur after the OBR segment identifying the alert or alert status and before any OBX observation segments associated with the alert in the case of the PCD-04 transaction.

- 3940 The content of a PRT segment shall resolve to an unambiguous single recipient, be it an identified person in PRT-5 or a communication endpoint device destination identified by its telecommunication address in PRT-15. In the case of PCD-04 if both PRT-5 and PRT-15 are populated the Alert Manager may send the alert notification to additional endpoint communication devices associated with the person identified in PRT-5. In the case of PCD-05 if both PRT-5 and PRT-15 are populated the focus shall be on PRT-5 as the person to which the alert was addressed and the value in PRT-15 is additional information for retrospective analysis indicating the endpoint communication device on which they successfully or unsuccessfully received or responded to the alert notification. If the person received or responded to the alert on multiple endpoint communication devices that shall result in multiple PCD-05 messages rather
- 3945

than waiting to queue up multiple PRT segments into a single PCD-05 transaction which might delay providing alert status back to the Alert Reporter.

PRT-2 Action Code (ID) 00816

3950 For the PCD-04 and PCD-05 message this field shall contain the value AD indicating Add.

PRT-3 Action Reason (CWE) 02380

For the PCD-04 message this field is optional.

PRT-4 Participation (CWE) 02381

3955 For PCD-04 and PCD-05 this field shall contain AR indicating Alert Recipient. This is an addition to HL7 v2.8 Table 0912 specifically for the PCD-04 message such that PRT segment occurrences identifying alert recipients can be unambiguously identified for processing, independent of unrelated to alert processing PRT segments containing RCT (indicating Result Copies To).

PRT-5 Participation Person (XCN) 02382

3960 This is the identification of the person that is the recipient of the alert notification. If this field is populated it shall unambiguously resolve to one person. If this field is populated and PRT-15 is not populated it presumes the Alert Manager will (in the case of PCD-04) or has (in the case of PCD-05) internally resolved the person to one or more of their currently assigned endpoint communication devices.

PRT-11 Participation Begin Date/Time (DTM) 02387

For the PCD-05 message this field contains the timestamp of the message dissemination status or operator response.

PRT-15 Participation Telecommunication Address (XTN) 02391

3970 This field optionally contains the telecommunication identification of the alert notification recipient's telecommunication device (phone #, carrier and PIN, etc.). If this field is populated it shall unambiguously resolve to one endpoint communication device. If this field is not populated then PRT-5 Participation Person shall be populated and it is presume the Alert Manager will internally resolve the person to their currently assigned endpoint communication device or devices.

3975 If the field value represents a telecommunications carrier identification and PIN reference the carrier identification string goes in the fourth component Communication Address and the PIN string goes in the seventh component Local Number. If the field value represents a telephony dial string it can either be split into its XTN data type components or it can be a dial string in the twelfth component Unformatted Telephone number.

3980 In the case of an outsourced Alert Communicator as a notification service (answering machine service, help desk, etc.) the telecommunication carrier identification and PIN reference may not be known by the Alert Manager in which case this field might not be populated.

Appendix C Common Data Types

3985 This section describes PCD constraints of commonly used HL7 data types.

HL7 OBX-2 defines the Value Type that is used to express the value in OBX-5 based on HL7 Table 0125.

The PCD TF constrains the allowable value type to those shown in Table C-1.

Table C-1: PCD Constrained HL7 Table 0125

Value	Description	Comment
CNE	Coded with No Exceptions	
CWE	Coded with Exceptions	
CF	Coded Element with Formatted Values	
DR	Date Range	
DTM	Date/Time	
ED	Encapsulated Data	
FT	Formatted Text	
NA	Numeric Array	
NM	Numeric	
PN	Person Name	
SN	Structured Numeric	
ST	String Data	
TM	Time	
XCN	Extended Composite Name and Number for Persons	
XPN	Extended Person Name	

3990

C.1 CNE Data Type – coded with no exceptions

Used when a field must represent a distinct value (a code) from a closed set of acceptable values, where all the values must be drawn from code sets accepted by HL7, where the authority determining acceptance is the HL7 Vocabulary Work Group.

3995 Definition: Specifies a coded element and its associated detail. The CNE data type is used when a required or mandatory coded field is needed. The specified HL7 table or imported or externally defined coding system must be used and may not be extended with local values.

Table C.1-1: CNE-Coded Element

SEQ	LEN	DT	Usage	Card.	TBL#	Component name
1	20	ST	R	[1..1]		Identifier
2	199	ST	R	[1..1]		Text
3	20	ID	RE	[0..1]	0396	Name of Coding System

SEQ	LEN	DT	Usage	Card.	TBL#	Component name
4	20	ST	RE	[0..1]		Alternate Identifier
5	199	ST	RE	[0..1]		Alternate Text
6	20	ID	RE	[0..1]	0396	Name of Alternate Coding System
7	10	ST	C	[0..1]		Coding System Version ID
8	10	ST	O	[0..1]		Alternate Coding System Version ID
9	199	ST	O	[0..1]		Original Text

4000 **C.2 CWE Data Type – coded with exceptions**

Used when a field must represent a distinct value (a code) from a closed set of acceptable values, but where some values may be drawn from outside code sets accepted by HL7. In IHE PCD, to promote interoperability, where possible such values should be submitted to, and sanctioned by, the IHE PCD Technical Committee before use.

4005 Definition: Specifies a coded element and its associated detail. The CWE data type is used when 1) more than one table may be applicable or 2) the specified HL7 or externally defined table may be extended with local values. See HL7 v2.6 2.A.13 for details.

4010 Note that this data type allows for a primary and an alternate coding system. This can be used to identify coded values from two value sets, such as measurement identifiers for the same measurement from both the MDC (ISO/IEEE 11073) and SNOMED CT systems, or units of measure from both MDC and UCUM systems.

Table C.2-1: CWE-Coded Element

SEQ	LEN	DT	Usage	Card.	TBL#	Component name
1	40 (See Note)	ST	RE	[0..1]		Identifier
2	199	ST	R	[1..1]		Text
3	20	ID	RE	[0..1]	0396	Name of Coding System
4	20	ST	RE	[0..1]		Alternate Identifier
5	199	ST	RE	[0..1]		Alternate Text
6	20	ID	RE	[0..1]	0396	Name of Alternate Coding System
7	10	ST	C	[0..1]		Coding System Version ID
8	10	ST	O	[0..1]		Alternate Coding System Version ID
9	199	ST	O	[0..1]		Original Text

Note: HL7 Ch. 2A calls for a length limit of 20 on component 1 of CWE, but some codes required in this Technical Framework are longer, hence this deviation.

4015

C.3 CX Data Type

Table C.3-1: CX-Extended Composite ID with check digit

SEQ	LEN	DT	Usage	Card.	TBL#	Component name
1	15	ST	R	[1..1]		ID Number
2	4	ST	RE	[0..1]		Identifier Check Digit
3	3	ID	RE	[0..1]	0061	Check Digit Scheme
4	227	HD	RE	[0..1]	0363	Assigning Authority
5	5	ID	RE	[0..1]	0203	Identifier Type Code
6	227	HD	RE	[0..1]		Assigning Facility
7	8	DT	RE	[0..1]		Effective Date
8	8	DT	RE	[0..1]		Expiration Date
9	705	CWE	RE	[0..1]		Assigning Jurisdiction
10	705	CWE	RE	[0..1]		Assigning Agency or Department

The constraints above particularly apply to the Patient Identifiers carried in the PID segment.

4020 In the context of this PCD Framework, the Assigning Authority and the Identifier Type Code are considered to be important components for disambiguating identifiers, so these should be included whenever they are known.

A common value of the Identifier Type Code for a Patient Identifier assigned by the healthcare organization (PID-5) is "PI". Other values are defined in Table 0203 of HL7 2.6 section 2.A.14.5

4025 Example: 12345^^^Saint-John Hospital^PI

C.4 DTM – date/time

Table C.4-1: HL7 Component Table - DTM – Date/Time

SEQ	LEN	DT	OPT	TBL#	COMPONENT NAME	COMMENTS	SEC.REF.
	24				Date/Time		2.A.22

HL7 Format: YYYY[MM[DD[HH[MM[SS[.S[S[S[S]]]]]]]]][+/-ZZZZ]

4030 The time zone (+/-ZZZZ) is represented as +/-HHMM offset from Coordinated Universal Time (UTC). Note that while the general HL7 V2.6 definition does not require the time zone indication to be present in all cases, in all IHE PCD profiles, the time zone is required.

4035 The IHE PCD TF uses the IETF RFC3339 “Unknown Local Offset Convention” to make it possible to distinguish between the case where UTC is the preferred reference point for the specified time, denoted with +0000, and the case where the UTC time is known, but the offset to local time is unknown, denoted with -0000. This distinction is in some cases important to represent in device data.

C.5 Entity Identifier (EI) Data Type

4040

Table C.5-1: EI-Entity Identifier

SEQ	LEN	DT	Usage	Card.	TBL#	Component name
1	199	ST	RE	[1..1]		Entity Identifier
2	20	IS	RE	[0..1]	0363	Namespace ID
3	199	ST	RE	[0..1]		Universal ID
4	6	ID	RE	[0..1]	0301	Universal ID Type

4045

Definition: The Entity Identifier defines a given entity uniquely within a specified series of identifiers. A piece of equipment or an information system would be an example of an entity to be uniquely identified. In addition to the unique identifier in the first component, called somewhat confusingly by the same name as the data type itself, the Entity Identifier, the EI data type has 3 additional components that identify the ‘assigning authority’ that assigned the Entity Identifier. These function quite similarly to the three components of the Hierarchical Designator data type (see Appendix C.6, HD Data Type).

4050

Identifiers do not serve their purpose if they cannot be used to distinguish unambiguously all of the entities of a particular kind in the context in which they are applied. The HL7 specification discusses two kinds of identifiers: local and universal. Local identifiers only need to be unique within a limited scope agreed to by the sending and receiving systems, say, a particular hospital. The limitations of such a scheme are obvious: once you try to use such an identifier outside of its scope, another identifier in the wider scope may conflict with it (if, say, Alice Hospital and Barry Hospital merge and both have a monitor identified as "Monitor101").

4055

A sort of intermediate but still local kind of identifier supplements the Entity Identifier with a Namespace ID. So the merged hospital could use a Namespace ID of "AH" for equipment names created in Alice Hospital and "BH" for ones from Barry Hospital. But as you go to wider scopes, such as a statewide reporting system, this intermediate system could still result in identifier clashes.

4060

4065

Universal identifiers avoid this problem by always including a unique identifier for the 'assigning authority' that created and manages the Entity Identifier. A Universal ID system must have a foolproof method for unambiguously identifying the 'assigning authority' over a 'universal' scope. Just allowing every assigning authority to name itself can still lead to name clashes. But there are a number of well-defined identifier systems that are designed to always yield unique identifiers. One that is familiar to programmers is the GUID, which gives a long hexadecimal number that can be generated on any suitably programmed computer with virtual certainty that the same number will not have been, and will not in the future be, generated by that computer or any other computer. EUI-64, ISO OIDs and URIs identifiers are other identifier schemes also created according to well-defined rules such that each identifier system is intended to avoid applying the same identifier to the more than one entity no matter how wide the scope of applicability is.

4070

In other contexts in PCD profiles, the ‘assigning authority’, as identified by Namespace ID (EI-2), Universal ID (EI-3), and Universal ID type (EI-4) is required. Assigning authorities in PCD

4075 profiles may, depending on context and need, be standards development organizations, manufacturers, software systems, or provider institutions. See the descriptions of particular fields with a data type of EI elsewhere in the Technical Framework.

Either Namespace ID (EI-2), giving a local identifier namespace, or (preferably) both Universal ID (EI-3), and Universal ID type (EI-4) are required.

4080 When only Namespace ID (EI-2) is valued, the identification of the assigning authority is only local. Particularly when there are several concurrent assigning authorities within the healthcare enterprise, this Namespace ID will indicate which assigning authority provided the Entity Identifier (EI-1).

4085 In preference to such a local ID, IHE PCD strongly recommends a Universal ID. In such a Universal ID, IHE PCD recommends that Namespace ID (EI-2) always be populated, but it is optional when both Universal ID (EI-3), and Universal ID type (EI-4) are given. When EI-3 and EI-4 identify the manufacturer, EI-2 may be used for the model identification, to further qualify the Entity Identifier (EI-1) which shall contain a unique identifier for the instance of the device, either an EUI-64 (in which case EI-1 will duplicate the information in EI-3) or a manufacturer's serial number.

4090 In IHE PCD, the order of preference for systems of Universal ID is: EUI-64, OID and URI. In addition to this order of preference, it is noted that any IHE PCD system running in a production environment shall only use an EUI-64 Universal ID. Systems running in test environments or certification environments are allowed to use an OID or URI Universal ID

4095 **Identifying with an EUI-64.** Namespace ID (EI-2) is optional in this case and may contain a locally unique name for the application implementing PCD actor(s). Universal ID (EI-3) contains the EUI-64 identifier as a hexadecimal string. The IEEE defined 64-bit extended unique identifier (EUI-64) is a concatenation of the 24-bit company_id value assigned by the IEEE Registration Authority, and a 40-bit extension identifier assigned by the organization having that company_id assignment. The Universal ID Type (EI-4) contains the value EUI-64.

4100 **Identifying with an ISO OID.** When an ISO OID is used, "Namespace ID" (EI-2) contains either a local name of the assigning authority or the device model number when a patient care device is being identified, "Universal ID" (EI-3) contains its universal OID, and "Universal ID Type" (EI-4) containing the value ISO.

4105 **Identifying with a URI.** The Universal Resource Identifier, defined in IETF RFC3306, encompasses the familiar Uniform Resource Locator (the URL "internet address" of a website, for example), and the Universal Resource Name, which need not identify a web resource but uniquely identifies an entity according to a number of unique identifier schemes, including some of the others listed, such as ISO OIDs (which can be made into URIs simply by prefixing the OID string with "urn:oid:"). The URI is placed in the Universal ID (EI-3) component and the
4110 Universal ID type (EI-4) is "URN".

When identifying a piece of equipment, an EUI-64 has the advantage of being inherently unique to the piece of equipment, and containing the identity of the manufacturer.

Refer to discussion and examples of the use of Entity Identifiers to identify equipment sourcing medical device data in the description of HL7 field OBX-18 in Appendix B.8.

4115 IHE PCD constrains the length of the first component to 20 characters. National extensions can extend this length up to a maximum of 199.

C.6 Hierarchic Designator (HD) Data Type

4120 Definition: The basic definition of the HD is that it identifies an (administrative or system or application or other) entity that has responsibility for managing or assigning a defined set of instance identifiers (such as placer or filler number, patient identifiers, provider identifiers, etc.). This entity could be a particular health care application such as a registration system that assigns patient identifiers, a governmental entity such as a licensing authority that assigns professional identifiers or drivers' license numbers, or a facility where such identifiers are assigned.

4125 In the context of IHE PCD profiles, the HD data type appears directly as the data type for sending and receiving applications, and sending and receiving facilities, in the MSH segment (MSH fields MSH-3, MSH-4, MSH-5, and MSH-6).

4130 The Hierarchic Designator (HD) data type also essentially forms part of the Entity Identifier (EI) data type which has other important roles in IHE PCD profile such as giving a placer or filler order number in OBR. The EI data type is made up of an Entity Identifier component (EI-1), plus additional components in the same form as the HD data type (EI-2 Namespace ID, corresponding to HD-1, EI-3 Universal ID corresponding to HD-2, and EI-4 Universal ID Type corresponding to HD-3). These additional components serve to identify the 'assigning authority' that is the source of the Entity Identifier. The EI data type is important in this Technical Framework for combining an identification of a particular entity (such as an information system) with the identification of the 'assigning authority' which assigned that particular identifier. See Appendix

4135 Section C.5 for details of this usage.

Table C.6-1: HD-Hierarchic designator

SEQ	LEN	DT	Usage	Card.	TBL#	Component name
1	20	IS	RE	[0..1]	0300	Namespace ID
2	999	ST	RE	[0..1]		Universal ID
3	6	ID	RE	[0..1]	0301	Universal ID Type

4140 The Namespace ID (HD-1) in HL7 in general may be populated with a strictly local identifier, which only needs to be understood in the same way by the individual sending and receiving applications. Where it is possible, IHE PCD discourages the use of such local identifiers and instead encourages the use of "Universal" types of identifier, specified by Universal ID and Universal ID Type, which carry a semantic context that can be understood widely in a context not limited to a single institution, with no risk of conflicting duplicate identifiers if the Universal ID system is used properly. The Universal ID (HD-2) should be a well-formed identifier

4145 according to a generally recognized system of identification such as the IEEE EUI-64 for

hardware or software systems, or an ISO OID. The Universal ID type (HD-3) specifies which Universal ID system the Universal ID (HD-2) is drawn from.

The PCD TF requires that a field of Data Type HD be populated with:

- 4150 • Either "Namespace ID" (HD-1) alone, which in this case contains a local identifier of the assigning entity.
- 4155 • Or, preferably, with a recognized system of Universal IDs such as an EUI-64 or an ISO OID as Universal IDs. See the discussion under EI data type, Appendix Section C.5 for the application of Universal ID systems in IHE PCD profiles (note that the component names Namespace ID, Universal ID, and Universal ID Type are the same in HD and EI data types, but since the EI data type has an extra component, Entity Identifier, at the beginning, the component numbers are not the same between HD and EI).

C.7 PL Data Type

Table C.7-1: PL-Person Location

SEQ	LEN	DT	Usage	Card.	TBL#	Component name
1	20	IS	RE	[0..1]	0302	Point of Care
2	20	IS	RE	[0..1]	0303	Room
3	20	IS	RE	[0..1]	0304	Bed
4	227	HD	RE	[0..1]		Facility
5	20	IS	RE	[0..1]	0306	Location Status
6	20	IS	CE	[0..1]	0305	Person Location Type
7	20	IS	RE	[0..1]	0307	Building
8	20	IS	RE	[0..1]	0308	Floor
9	199	ST	RE	[0..1]		Location Description
10	427	EI	RE	[0..1]		Comprehensive Location Identifier
11	227	HD	RE	[0..1]		Assigning Authority for Location

4160

IHE PCD Definition: This data type is used to specify a patient location within a healthcare institution, or other setting where healthcare is provided. Which components are valued depends on the needs of the site. For example, for a patient treated at home, only the person location type is valued.

4165 **Component 1: Point of Care (IS), required but may be empty:**

HL7 definition: This component specifies the code for the point where patient care is administered. It is related to PL.6 Person Location Type (e.g., nursing unit or department or clinic). After floor, it is the most general patient location designation.

4170

HL7 user-defined table 0302 does not suggest any values. The codification of points of care will be defined at the site level in acute care settings.

Component 2: Room (IS), required but may be empty:

HL7 definition: This component specifies the code for the patient's room. After point of care, it is the most general person location designation.

4175

HL7 user-defined table 0303 does not suggest any values. The codification of rooms shall be defined at the site level in acute care settings.

Component 3: Bed (IS), required but may be empty:

HL7 definition: This component specifies the code for the patient's bed. After room, it is the most general person location designation.

4180

HL7 user-defined table 0304 does not suggest any values. The codification of beds shall be defined at the site level in acute care settings.

Component 4: Facility (HD), required but may be empty:

HL7 definition: This component is subject to site interpretation but generally describes the highest level physical designation of an institution, medical center or enterprise. It is the most general person location designation.

4185

The codification of facilities shall be defined at the highest level, according to the context of use of the PCD profile (acute care setting, ambulatory domain, etc.).

Component 6: Person Location Type (IS), conditional but may be empty:

IHE PCD condition: PL.6 is only populated if none of the other components of the PL data type are populated.

4190

HL7 definition: Person location type is the categorization of the person's location defined by facility, building, floor, point of care, room or bed. Although not a required field, when used, it may be the only populated field. It usually includes values such as nursing unit, department, clinic, SNF, physician's office. Refer to *HL7 User-defined Table 0305 - Person location type* for suggested values.

4195

Table C.7-2: HL7 User-defined Table 0305 - Person Location Type

Value	Description	Comment
C	Clinic	
D	Department	
H	Home	
N	Nursing Unit	
O	Provider's Office	
P	Phone	
S	SNF	

National extensions of this profile may further constrain on extend this table.

Component 7: Building (IS), required but may be empty:

HL7 definition: This component specifies the code for the building where the person is located. After facility, it is the most general person location designation.

4200 HL7 user-defined table 0307 does not suggest any values. The codification of buildings shall be defined at the site level in acute care settings.

Component 8: Floor (IS), required but may be empty:

HL7 definition: This component specifies the code for the floor where the person is located. After building, it is the most general person location designation.

4205 HL7 user-defined table 308 does not suggest any values. The codification of floors shall be defined at the site level in acute care settings.

Component 9: Location description (ST), required but may be empty:

HL7 definition: This component describes the location in free text.

Component 10: Comprehensive Location Identifier (EI), required but may be empty:

4210 HL7 definition: The unique identifier that represents the physical location as a whole without regard for the individual components. This accommodates sites that may have a different method of defining physical units or who may code at a less granular level. For example, point of care, room, and bed may be 1 indivisible code.

Component 11: Assigning Authority for Location (HD), required but may be empty:

4215 HL7 definition: The entity that creates the data for the individual physical location components. If populated, it should be the authority for all components populated. Refer to HL7 User-defined Table 0363 - Assigning authority for suggested values for the first sub-component of the HD component, <namespace ID>.

4220 By site agreement, implementers may continue to use HL7 User-defined Table 0300 - Namespace ID for the first sub-component.

C.8 XPN Data Type**Table C.8-1: XPN-Extended Person Name**

SEQ	LEN	DT	Usage	Card.	TBL#	Component name
1	194	FN	RE	[0..1]		Family Name
2	30	ST	RE	[0..1]		Given Name
3	30	ST	RE	[0..1]		Second and Further Given Names or Initials Thereof
4	20	ST	RE	[0..1]		Suffix (e.g., JR or III)
5	20	ST	RE	[0..1]		Prefix (e.g., DR)
6	6	IS	X	[0..0]	0360	Degree (e.g., MD)
7	1	ID	R	[1..1]	0200	Name Type Code
8	1	ID	RE	[0..1]	0465	Name Representation Code

SEQ	LEN	DT	Usage	Card.	TBL#	Component name
9	705	CWE	RE	[0..1]	0448	Name Context
10	49	DR	X	[0..0]		Name Validity Range
11	1	ID	RE	[0..1]	0444	Name Assembly Order
12	24	DTM	RE	[0..1]		Effective Date
13	24	DTM	RE	[0..1]		Expiration Date
14	199	ST	RE	[0..1]		Professional Suffix

4225 This data type is usually in a repeatable field, to allow a list of names. Examples: Legal name, display name.

Subfield 1 "Family Name" is required if known to the sender.

Subfield 7 "Name Type Code" is required. The PAM Profile allows these values from HL7 Table 0200 – Name type:

Table C.8-2: HL7 Table 0200 - Name Type

Value	Description	Comment
A	Alias Name	
B	Name at Birth	
C	Adopted Name	
D	Display Name	
I	Licensing Name	
L	Legal Name	
M	Maiden Name	
N	Nickname /"Call me" Name/Street Name	
R	Registered Name (animals only)	
S	Coded Pseudo-Name to ensure anonymity	
T	Indigenous/Tribal/Community Name	
U	Unspecified	

4230

This table may be further defined and restrained in national extensions of this profile.

Subfields 6 (Degree) and 10 (Name Validity Range) are deprecated in HL7 v2.6, therefore not supported by the PCD profile.

C.9 XTN Data Type

4235

Table C.9-1: XTN-Extended Telecommunication Number

SEQ	LEN	DT	Usage	Card.	TBL#	Component name
1	199	ST	X			Telephone Number
2	3	ID	R	[1..1]	0201	Telecommunication Use Code
3	8	ID	R	[1..1]	0202	Telecommunication Equipment Type
4	199	ST	RE	[0..1]		Email Address
5	3	NM	RE	[0..1]		Country Code
6	5	NM	RE	[0..1]		Area/City Code
7	9	NM	RE	[0..1]		Local Number
8	5	NM	RE	[0..1]		Extension
9	199	ST	RE	[0..1]		Any Text
10	4	ST	RE	[0..1]		Extension Prefix
11	6	ST	X	[0..0]		Speed Dial Code
12	199	ST	X	[0..0]		Unformatted Telephone number
13	24	DTM	X	[0..0]		Effective Start Date
14	24	DTM	X	[0..0]		Expiration Date
15	705	CWE	X	[0..0]	0868	Expiration Reason
16	705	CWE	X	[0..0]	0618	Protection Code
17	427	EI	X	[0..0]		Shared Telecommunication Identifier
18	2	NM	X	[0..0]		Preference Order

Subfield 2 "Telecommunication Use Code" is required and is valued as either PRN "Primary Residence Number" or NET "Network (email) address. See HL7 Table 201.

4240

Subfield 3 "Telecommunication Equipment Type" is required and is valued as PH "Telephone", Internet "Internet Address: Use Only If Telecommunication Use Code Is NET", or X.400 "X.400 email address: Use Only If Telecommunication Use Code Is NET". See HL7 Table 202.

Appendix D Reserved

Appendix E Examples of messages

4245 These message examples illustrate the uses cases defined in PCD TF-1. They are informative only, not authoritative and not representative of messages in actual implementations but are only examples to illustrate general aspects of the use cases and the mapping of ISO/IEEE 11073 to HL7. Implementers should test all messages against the NIST test tooling for IHE PCD.

E.1 PCD-01 Case C1: Communicate periodic data to Clinical Information System (CIS)

4250 Periodic and episodic data from all of the patient care devices associated with a particular patient are typically communicated to a CIS (Device Observation Consumer) by a monitoring gateway server (the DOR). Examples include data from a bedside monitor, point of care lab devices, ventilators, and infusion pumps. Discrete and data are communicated to the CIS. The primary intent is communication of structured data; however, provisions are made for inclusion of
4255 unstructured data. The patient associated with the data is identified and the data is time stamped with a consistent time across the respective patient care devices.

E.1.1 Example of PCD-01 Observation Report (Physiological Monitor)

An observation result from a physiological monitor.

```

4260 MSH|^~\&|PAT_DEVICE_PHILIPS_C|Philips|||20150122182658+0000||ORU^R01^ORU_R01|HP01221826
58686QQ000CND119C0WS61|P|2.6|||AL|NE||8859/1|EN^English^ISO639||IHE_PCD_001^IHE
PCD^1.3.6.1.4.1.19376.1.6.1.1.1^ISO
PID|||HO2009001^^^MR||Hon^Albert^""^^^L||19610101|M
PV1||I|HO Surgery^OR^1
4265 OBR|1||201512218265601|69965^MDC_DEV_MON_PHYSIO_MULTI_PARAM_MDS^MDC|||20150122182656
OBX|1|ST|69965^MDC_DEV_MON_PHYSIO_MULTI_PARAM_MDS^MDC|1.0.0.0|||X|||e86c094f-
f751-4acf-92b2-38f11c1f6f57-Device
OBX|2|ST|70686^MDC_DEV_PRESS_BLD_NONINV_VMD^MDC|1.1.0.0|||X|||0600dc750001
4270 OBX|3|ST|70675^MDC_DEV_PULS_CHAN^MDC|1.1.1.0|||X
OBX|4|NM|150021^MDC_PRESS_BLD_NONINV_SYS^MDC|1.1.1.5|117|266016^MDC_DIM_MMHG^MDC|90-
160|||X|||20150122115000
OBX|5|NM|150022^MDC_PRESS_BLD_NONINV_DIA^MDC|1.1.1.6|82|266016^MDC_DIM_MMHG^MDC|||X|
|20150122115000
4275 OBX|6|NM|150023^MDC_PRESS_BLD_NONINV_MEAN^MDC|1.1.1.7|90|266016^MDC_DIM_MMHG^MDC|||X|
|20150122115000
OBX|7|ST|4262^MDC_DEV_ECG_VMD^MDC|1.2.0.0|||X|||0600dc750001
OBX|8|ST|4263^MDC_DEV_ECG_CHAN^MDC|1.2.1.0|||X
OBX|9|NM|147842^MDC_ECG_CARD_BEAT_RATE^MDC|1.2.1.1|80|264864^MDC_DIM_BEAT_PER_MIN^MDC|5
0-120|||X
4280 OBX|10|NM|147232^MDC_ECG_TIME_PD_QT_GL^MDC|1.2.1.14|360|264338^MDC_DIM_MILLI_SEC^MDC||
||X
OBX|11|NM|147236^MDC_ECG_TIME_PD_QTc^MDC|1.2.1.15|416|264338^MDC_DIM_MILLI_SEC^MDC|<500
|||X
4285 OBX|12|NM|151562^MDC_RESP_RATE^MDC|1.2.1.19|30|264928^MDC_DIM_RESP_PER_MIN^MDC|8-
45|||X
OBX|13|ST|184327^MDC_ECG_STAT_RHY^MDC|1.2.1.21|MDC_ECG_SINUS_RHY|||X
OBX|14|ST|69642^MDC_DEV_ANALY_SAT_O2_VMD^MDC|1.3.0.0|||X|||0600dc750001
OBX|15|ST|70771^MDC_DEV_ANALY_PERF_REL_CHAN^MDC|1.3.1.0|||X
4290 OBX|16|NM|150456^MDC_PULS_OXIM_SAT_O2^MDC|1.3.1.1|99|262688^MDC_DIM_PERCENT^MDC|90-
100|||X

```



```
OBX|17|NM|150448^MDC_PULS_OXIM_PERF_REL^MDC|1.3.1.3|3.9|262656^MDC_DIM_DIMLESS^MDC|||||X
```

E.1.2 Example of PCD-01 Episodic Observation Report

4295 Note that time stamps are present in the metric OBX segments (OBX-14). These override the timestamps at higher levels (here the channel level OBX and the containing OBR, which happen to be the same in this case but would be overridden by the lower-level time stamp if they were not). Note also that the dotted notation in OBX-4 on the MDS, VMD, and channel device data OBX segments have trailing zeroes below the hierarchical level they apply to (e.g., MDS has nonzero MDS-level value, followed by zeroes at the VMD, channel, and metric level).

4300

```
MSH|^~\&|ACME_Gateway^080019FFFE3ED02D^EUI-64|ACME
Healthcare|||20110602050000+0000||ORU^R01^ORU_R01|0104ef190d604db188c3|P|2.6|||AL|NE||U
NICODE UTF-8|||PCD_DEC_001^IHE_PCD^1.3.6.1.4.1.19376.1.6.1.1.1^ISO
4305 PID|||12345^^^A^MR||BEDS^TEDSONS^^^^^L
PV1||U|COLWELL^^SOLAR
OBR|1|080019FFFE3ED02D20110602045842^ACME_Gateway^080019FFFE3ED02D^EUI-
64|080019FFFE3ED02D20110602045842^ACME_Gateway^080019FFFE3ED02D^EUI-
64|182777000^monitoring of patient^SCT|||20110602045842+0000
4310 OBX|1||69965^MDC_DEV_MON_PHYSIO_MULTI_PARAM_MDS^MDC|1.0.0.0|||||X
OBX|2||70686^MDC_DEV_PRESS_BLD_NONINV_VMD^MDC|1.16.0.0|||||X
OBX|3||70687^MDC_DEV_PRESS_BLD_NONINV_CHAN^MDC|1.16.1.0|||||X|||20110602045842
OBX|4|NM|150021^MDC_PRESS_BLD_NONINV_SYS^MDC|1.16.1.1|111|mm[Hg]^mm[Hg]^UCUM||||R|||20
110602045842|||080019FFFE3ED02D172.16.172.135^GATEWAY_ACME
4315 OBX|5|NM|150022^MDC_PRESS_BLD_NONINV_DIA^MDC|1.16.1.2|60|mm[Hg]^mm[Hg]^UCUM||||R|||201
10602045842|||080019FFFE3ED02D172.16.172.135^GATEWAY_ACME
OBX|6|NM|150023^MDC_PRESS_BLD_NONINV_MEAN^MDC|1.16.1.3|80|mm[Hg]^mm[Hg]^UCUM||||R|||20
110602045842|||080019FFFE3ED02D172.16.172.135^GATEWAY_ACME
OBX|7|NM|149546^MDC_PULS_RATE_NON_INV^MDC|1.16.1.4|63|{beat}/min^{beat}/min^UCUM||||R|
||20110602045842|||080019FFFE3ED02D172.16.172.135^GATEWAY_ACME
```

4320

E.2 Examples of transaction PCD-03: Communicate Infusion Order

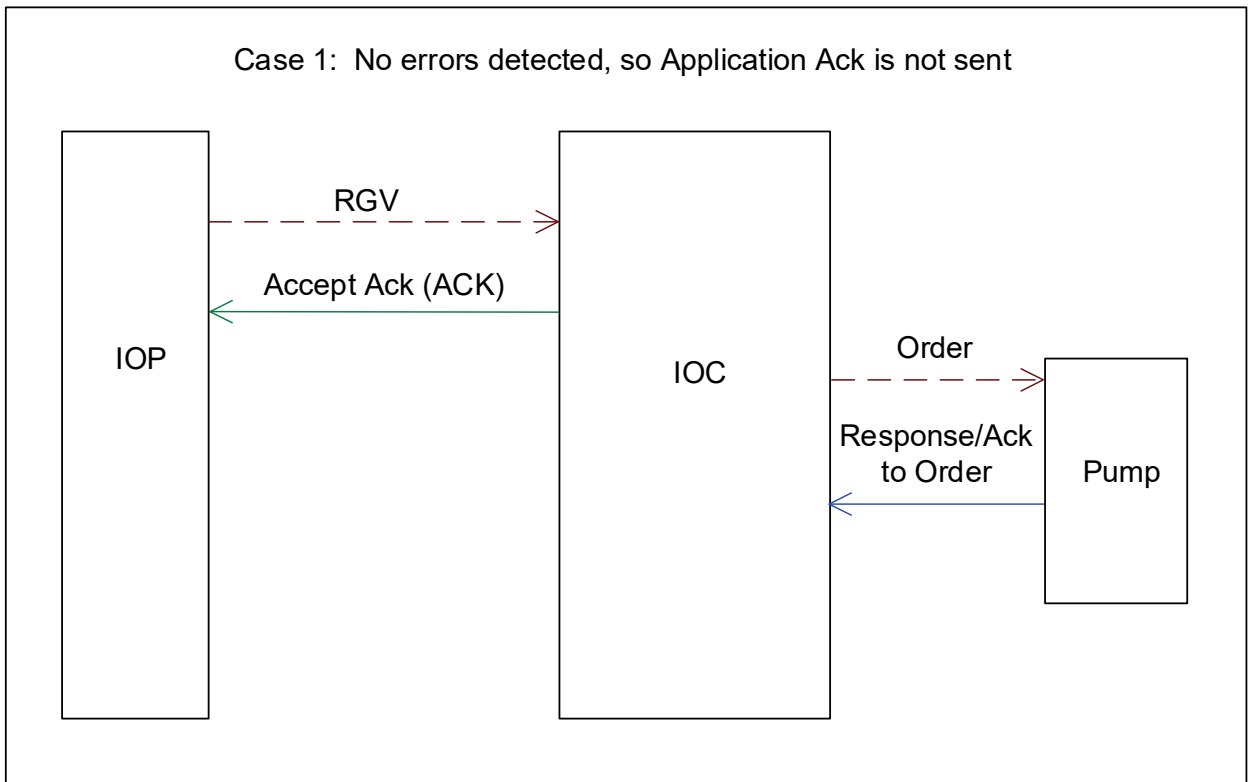
This example illustrates the use of PCD-03.

E.2.1 Storyboard

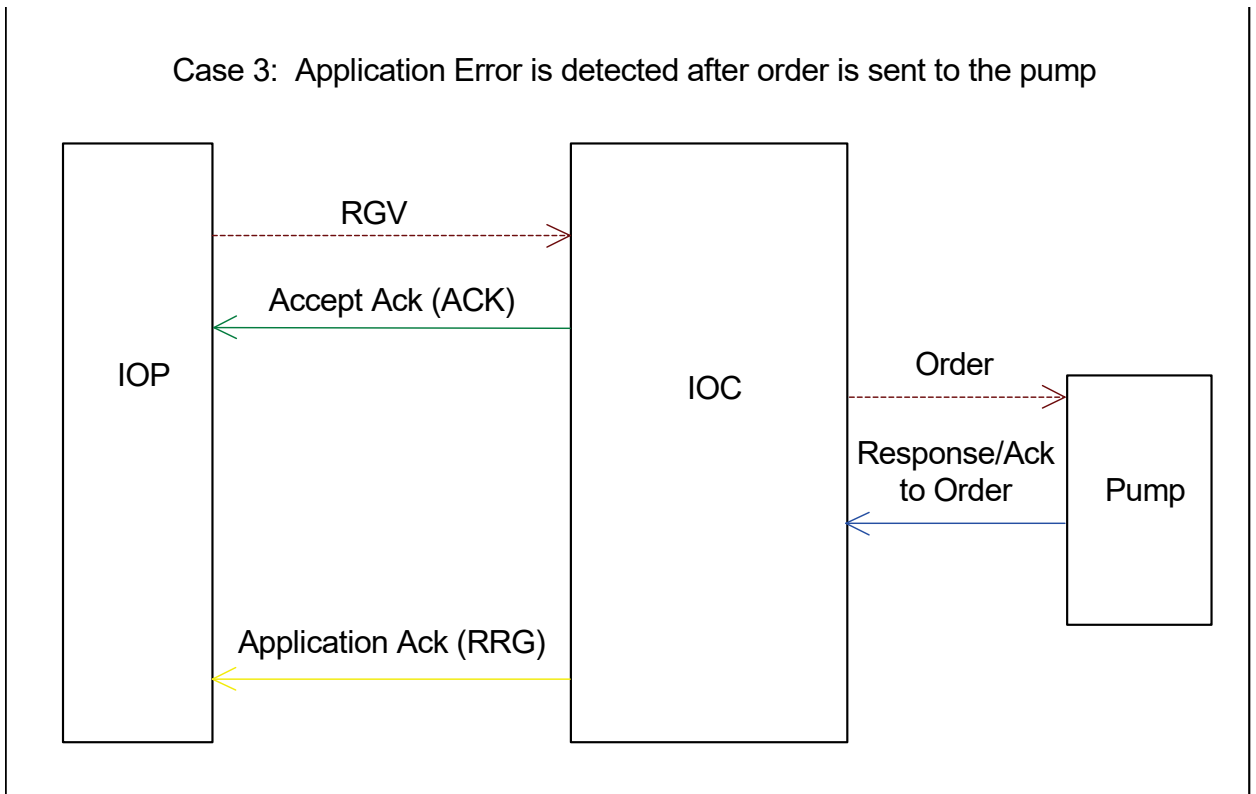
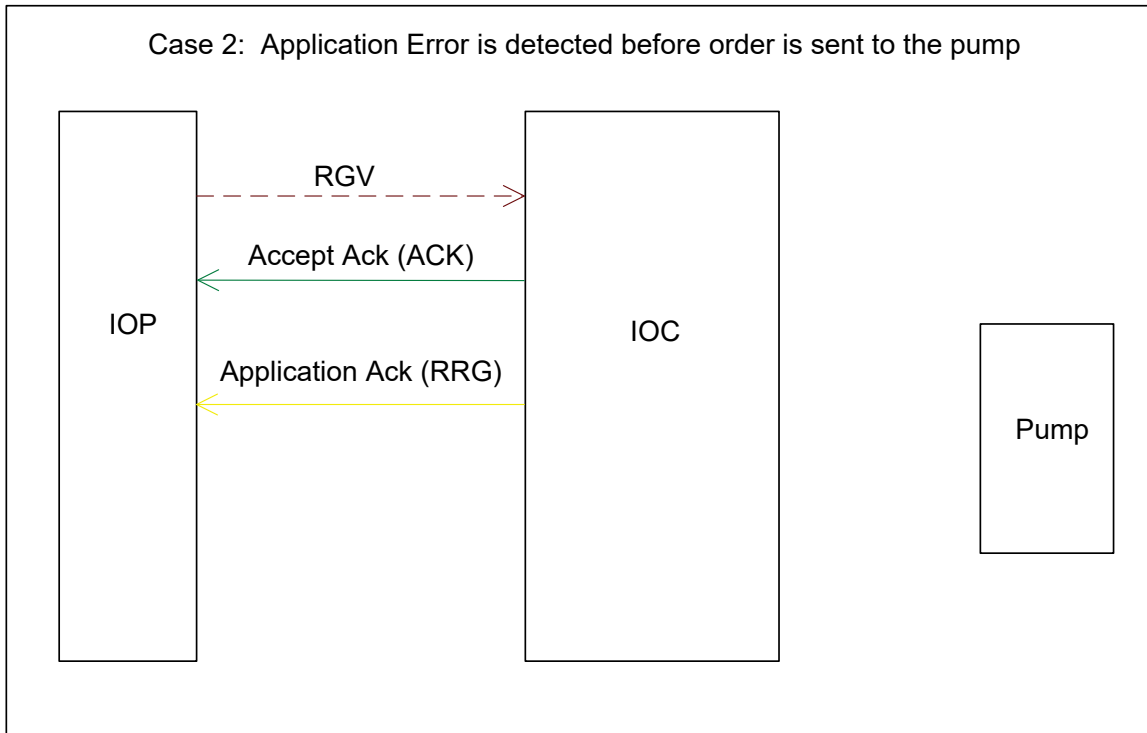
Objects	Attributes
Patient	Legal Name: John Doe ID: 98765 Sex: M Date of birth: January 1, 1966 Weight: 85.0 kg
Nurse	Jane Adams ID: N0001

Objects	Attributes	
Medication	Example 1 ID: 1234 Name: Dopamine Volume to be infused: 250 mL Concentration: 400 mg / 250 mL Dose: 10 mcg/kg/min	Example 2 ID: 5678 Name: Normal Saline Volume to be infused: 500 mL Rate: 13.3 mL/hr
Pump	ID: A0001	

4325 **E.2.2 Interaction Diagram**



4330



E.2.3 Messages

4335 **Example 1**

Order #12345 for Patient ID 98765 (John Doe), Dopamine, volume to be infused 250 ml at 10 mcg/kg/min, concentration of 400 mg in 250 ml, patient weight 85.0 kg, Pump ID A0001, administered by nurse N0001.

Communicate Infusion Order

```
MSH|^~\&|IOPVENDOR^123456000000001^EUI-
64|IOPVENDOR|IOCVENDOR^654321000000001^EUI-64|IOCVENDOR|20080101123456-
0600||RGV^015^RGV_015|1|P|2.5|||AL|ER||ASCII|EN^English^ISO659||IHE_PCD_PIV_001
PID||98765^^^IHE^PI||Doe^John^^^^^L||19660101000000-0600|M
ORC|RE|12345||||||||||||||N0001
RXG|1||1234^Dopamine|250||263762^MDC_DIM_MILLI_L^MDC^mL^mL^UCUM|||||10|3
475^ug/kg/min^UCUM^265619^MDC_DIM_MICRO_G_PER_KG_PER_MIN^MDC|400|1746^mg^UCUM
^263890^MDC_DIM_MILLI_G^MDC||||250|263762^MDC_DIM_MILLI_L^MDC^mL^mL^UCUM
RXR|IV||IVP
OBX|1||69986^MDC_DEV_PUMP_INFUS_VMD^MDC|||||X|||||^A0001^PUMPVENDOR
OBX|2|NM|68063^MDC_ATTR_PT_WEIGHT^MDC||85.0|kg^kg^UCUM^263875^MDC_DIM_KILO_G^MDC
```

4340

Accept Acknowledgement

```
MSH|^~\&|IOCVENDOR^654321000000001^EUI-64|IOCVENDOR|IOPVENDOR^123456000000001^EUI-
64|IOPVENDOR|20080101123456-
0600||ACK^015^ACK|1|P|2.5|||||ASCII|EN^English^ISO659||IHE_PCD_PIV_001
MSA|CA|1
```

Example 2

4345 Order #12345 for Patient ID 98765 (John Doe), Normal Saline, volume to be infused 500 ml at rate of 13.3 ml/hr, Pump ID A0001, administered by nurse N0001.

Communicate Infusion Order

```
MSH|^~\&|IOPVENDOR^123456000000001^EUI-64|IOPVENDOR|IOCVENDOR^654321000000001^EUI-
64|IOCVENDOR|20080101123456-
0600||RGV^015^RGV_015|2|P|2.5|||AL|ER||ASCII|EN^English^ISO659||IHE_PCD_PIV_001
PID||98765^^^IHE^PI||Doe^John^^^^^L||19660101000000-0600|M
ORC|RE|12345||||||||||||||N0001
RXG|1||5678^Normal Saline|500||263762^MDC_DIM_MILLI_L^MDC^mL^mL^UCUM
|||||13.3|3122^mL/h^UCUM^265266^MDC_DIM_MILLI_L_PER_HR^MDC
RXR|IV||IVP
OBX|1||69986^MDC_DEV_PUMP_INFUS_VMD^MDC|||||X|||||^A0001^PUMPVENDOR
```

Accept Acknowledgement

```
MSH|^~\&|IOCVENDOR^654321000000001^EUI-64|IOCVENDOR|IOPVENDOR^123456000000001^EUI-
64|IOPVENDOR|20080101123456-
0600||ACK^015^ACK|102|P|2.5|||||ASCII|EN^English^ISO659||IHE_PCD_PIV_001
MSA|CA|
```


E.3.2 Alert - Qualitative (non-numeric) Alarm

Infusion Pump, Fluid Line Occlusion, Technical Alarm Indication Start

```

4365 MSH|^~\&|PAT_DEVICE_BBRAUN^0012211839000001^EUI-
64|BBRAUN|AM_Philips_IEM^ 00095CFFFE741952 ^EUI-64|Philips|20120109175417-
0600||ORU^R40^ORU_R40|6346172845752460251|P|2.6||AL|NE||ASCII|EN^English^ISO639||
IHE_PCD_ACM_001^IHE_PCD^1.3.6.1.4.1.19376.1.6.4.4.1^ISO
PID|||HO2009003^^^AA1^PI||Hon^Amy^^^^^L|Coburn^^^^^L|19610301000000-0600|F
4370 PV1||I|HO 3 West ICU^10^1
OBR|1|634617284575713662^PAT_DEVICE_BBRAUN^0012211839000001^EUI-
64|P6013_4^PAT_DEVICE_BBRAUN^0012211839000001^EUI-
64|196616^MDC_EVT_ALARM^MDC|||20120109175417-0600
|||||||||||||||||^E0001_27&PAT_DEVICE_BBRAUN&0012211839000001&EUI-64
4375 OBX|1|CWE|196616^MDC_EVT_ALARM^MDC|1.0.0.0.1|196940^MDC_EVT_FLUID_LINE_OCCL^MDC^^^^^O
ccclusion|||ST|||F|||||P6013^^0012210000000000^EUI-64
OBX|2|CWE|68480^MDC_ATTR_ALERT_SOURCE^MDC|1.0.0.0.2|
69985^MDC_DEV_PUMP_INFUS_MDS^MDC|||||F|||20120109175417-0600
OBX|3|ST|68481^MDC_ATTR_EVENT_PHASE^MDC|1.0.0.0.3|start|||||F
OBX|4|ST|68482^MDC_ATTR_ALARM_STATE^MDC|1.0.0.0.4|active|||||F
4380 OBX|5|ST|68483^MDC_ATTR_ALARM_INACTIVATION_STATE|1.0.0.0.5|enabled|||||F
    
```

Infusion Pump, Fluid Line Occlusion, Technical Alarm Indication, End

```

4385 MSH|^~\&|PAT_DEVICE_BBRAUN^0012211839000001^EUI-
64|BBRAUN|AM_Philips_IEM^00095CFFFE741952^EUI-64|Philips|20120109175426-
0600||ORU^R40^ORU_R40|6346172846620706282|P|2.6||AL|NE||ASCII|EN^English^ISO639||
IHE_PCD_ACM_001^IHE_PCD^1.3.6.1.4.1.19376.1.6.1.4.1^ISO
PID|||HO2009003^^^AA1^PI||Hon^Amy^^^^^L|Coburn^^^^^L|19610301000000-
0600|F
4390 PV1||I|HO 3 West ICU^10^1
OBR|1|634617284662070628^PAT_DEVICE_BBRAUN^0012211839000001^EUI-
64|P6013_4^PAT_DEVICE_BBRAUN^0012211839000001^EUI-
64|196616^MDC_EVT_ALARM^MDC|||20120109175426-
0600|||||||||||||^E0001_27&PAT_DEVICE_BBRAUN&0012211839000001&EUI-64
4395 OBX|1|CWE|196616^MDC_EVT_ALARM^MDC|1.0.0.0.1|196940^MDC_EVT_FLUID_LINE_OCCL^MDC^^^^^O
ccclusion|||ST|||F|||||P6013^^0012210000000000^EUI-64
OBX|2|CWE|68480^MDC_ATTR_ALERT_SOURCE^MDC|1.0.0.0.2|69985^MDC_DEV_PUMP_INFUS_MDS^MDC||
|||F|||20120109175426-0600
    
```

```

4400 OBX|3|ST|68481^MDC_ATTR_EVENT_PHASE^MDC|1.0.0.0.3|end|||||F
OBX|4|ST|68482^MDC_ATTR_ALARM_STATE^MDC|1.0.0.0.4|inactive|||||F
OBX|5|ST|68483^MDC_ATTR_ALARM_INACTIVATION_STATE|1.0.0.0.5|enabled|||||F
    
```

Alert – Advisory of undocumented timeout prior to surgical procedure

```

4405 MSH|^~\&|CONTENT_CONSUMER_LIVEDATA|LIVEDATA|AM_Philips_IEM|Philips|20120109175426-
0600||ORU^R40^ORU_R40|1233532926265-02|P|2.6||NE|AL||ASCII|EN^English^ISO639||
IHE_PCD_ACM_001^IHE_PCD^1.3.6.1.4.1.19376.1.6.1.4.1^ISO
PID|||HO2009003^^^AA1^PI||Hon^Amy^^^^^L|Coburn^^^^^L|19610301000000-
0600|F
4410 PV1||I|HO 3 West ICU^10^1
OBR|1||12345-2^LIVEDATA|196616^MDC_EVT_ALARM^MDC|||20120109175426-
0600|||||||8664693239
    
```

4415

```
OBX|1|CWE|0^MDCX_DOCUMENTATION_ERROR^MDC|2.1.2.1.1|Timeout not
documented|||SA~PM|||R||20120109175426-0600
OBX|2|CWE|684800^MDC_ATTR_ALERT_SOURCE^MDC|1.0.0.0.2|Procedure not documented on
time|||SA~PM|||R||20120109175426-0600
OBX|3|ST|684810^MDC_ATTR_EVENT_PHASE^MDC|2.1.2.1.3|start|||||R
OBX|4|ST|684820^MDC_ATTR_ALARM_STATE^MDC|2.1.2.1.4|active|||||R
```

Appendix F – HL7 Message Profiling Convention

4420 For the material formerly in this Appendix, readers should refer to [IHE Technical Frameworks General Introduction Appendix E](#).

Appendix G – HL7 Implementation Notes

4425 For general HL7 Implementation Notes, it is important that the reader study [IHE Technical Frameworks General Introduction Appendix E](#). Only considerations specific to IHE PCD profiles will be covered here.

G.1 Acknowledgment Modes

ACKNOWLEDGMENT MESSAGES

4430 Acknowledgment messages may be defined on an application basis. However, the simple general acknowledgment message (ACK) may be used where the application does not define a special message (application level acknowledgment) and in other cases as described in Section 2.9 of the HL7 specification, "Message Processing Rules".

The IHE PCD transaction PCD-03 supports 'enhanced mode' acknowledgements. See discussion under PCD-03 Transactions as well as in B.1 MSH – Message Header Segment and B.2 MSA – Message Acknowledgement Segment

4435 G.2 Use of OSI Object Identifier (OID)

OSI Object identifiers (OIDs) are universal identifiers used in HL7 in a number of contexts.

4440 Unlike GUIDs or UUIDs, which are generated by a completely uncentralized process (using an algorithm that can run on any computer that is extremely unlikely to ever generate the same ID twice), OIDs are generated by a hierarchical network of entities each of which is the ultimate authority for its own part of the tree. See [ITI TF2x](#) Appendix B for general specifications for OID syntax, and for obtaining an OID root for your organization.

The IHE PCD Technical Committee may issue OIDs from its reserved OID arc for the registration IHE PCD profiles, or for such other purposes as the Committee determines.

The following OID has been assigned to IHE PCD: 1.3.6.1.4.1.19376.1.6

4445 ISO/IEEE 11073 nomenclature terms have OIDs from the arc 1.2.840.10004.1.1.1.0.0.1

HL7 allocates OIDs from the arc 2.16.840.1.113883 (joint-iso-itu-t.country.us.organization.hl7). HL7 maintains an OID registry at <http://www.hl7.org/oid/index.cfm>.

Appendix H – IHE Integration Statements

4450 For material formerly in this Appendix, readers should now refer to [IHE Technical Frameworks General Introduction Appendix F](#).

Appendix I – Message Transport using MLLP

4455 IHE PCD HL7 V2 messages *may* be sent using the HL7-defined "Minimal Lower Layer Protocol" (MLLP). At the present time, MLLP is used by all IHE PCD actors operating behind a hospital firewall, and the selection of MLLP versus other transport options is based on implementation or one-time configuration.

Guidance regarding MLLP is provided by the [IHE ITI TF-2x](#) Section C.2.1 *Network Guidelines*, which in turn reference the Minimal Lower Layer Protocol defined in Appendix C of the HL7 Implementation Guide.

4460

Appendix J – Message Transport using WS*

IHE PCD HL7 V2 messages *may* be sent over Web Services (WS*).

4465 The IHE IT Infrastructure Technical Framework Volume 2x Appendix V provides guidance regarding the appropriate WSDL files, schema and sample XML messages. The following artifacts are provided here as informative implementations and should match the versions found in the IHE [ftp://ftp.ihe.net/TF Implementation Material/](ftp://ftp.ihe.net/TF_Implementation_Material/) for PCD. If a later version is available at the ftp site, it should be used.

J.1 Sample WSDL file and schema

4470 The Web Services Description Language (WSDL) is a W3C standard designed to define a web service through concrete endpoints and operations. The IHE IT Infrastructure Technical Framework Volume 2x Appendix V provides guidance on deriving WSDL files from an IHE transaction.

Non-normative illustrative examples of a WSDL file «DeviceObservationConsumer.wsdl» and schema «DeviceObservationConsumer.xsd» are shown below:

4475

DeviceObservationConsumer.wsdl
<pre> <?xml version="1.0" encoding="UTF-8"?> <wsdl:definitions name="DeviceObservationConsumer" targetNamespace="urn:ihe:pcd:dec:2010" xmlns:soap12="http://schemas.xmlsoap.org/wsdl/soap12/" xmlns:wsdl="http://schemas.xmlsoap.org/wsdl/" xmlns:xsd="http://www.w3.org/2001/XMLSchema" xmlns:wsaw="http://www.w3.org/2006/05/addressing/wsdl" xmlns:tns="urn:ihe:pcd:dec:2010"> <wsdl:types> <xsd:schema> <xsd:import namespace="urn:ihe:pcd:dec:2010" schemaLocation="DeviceObservationConsumer.xsd"/> </xsd:schema> </wsdl:types> <wsdl:message name="CommunicatePCDData_Message"> <wsdl:documentation>Communicate PCD Data</wsdl:documentation> <wsdl:part name="body" element="tns:CommunicatePCDData"/> </wsdl:message> <wsdl:message name="CommunicatePCDDataResponse_Message"> <wsdl:documentation>Communicate PCD Data Response</wsdl:documentation> <wsdl:part name="body" element="tns:CommunicatePCDDataResponse"/> </wsdl:message> <wsdl:portType name="DeviceObservationConsumer_PortType"> <wsdl:operation name="CommunicatePCDData"> <wsdl:input message="tns:CommunicatePCDData_Message" wsaw:Action="urn:ihe:pcd:2010:CommunicatePCDData"/> <wsdl:output message="tns:CommunicatePCDDataResponse_Message" wsaw:Action="urn:ihe:pcd:2010:CommunicatePCDDataResponse"/> </wsdl:operation> </wsdl:portType> </wsdl:definitions> </pre>

```

        </wsdl:operation>
    </wsdl:portType>
    <wsdl:binding name="DeviceObservationConsumer_Binding_Soap12"
type="tns:DeviceObservationConsumer_PortType">
        <soap12:binding style="document"
transport="http://schemas.xmlsoap.org/soap/http"/>
        <wsaw:UsingAddressing wsdl:required="true"/>
        <wsdl:operation name="CommunicatePCDData">
            <soap12:operation soapAction="urn:ihe:pcd:2010:CommunicatePCDData"
soapActionRequired=""/>
            <wsdl:input>
                <soap12:body use="literal"/>
            </wsdl:input>
            <wsdl:output>
                <soap12:body use="literal"/>
            </wsdl:output>
        </wsdl:operation>
    </wsdl:binding>
    <wsdl:service name="DeviceObservationConsumer_Service">
        <wsdl:port name="DeviceObservationConsumer_Port_Soap12"
binding="tns:DeviceObservationConsumer_Binding_Soap12">
            <soap12:address location="http://www.example.org"/>
        </wsdl:port>
    </wsdl:service>
</wsdl:definitions>

```

4480 Note: the element `<wsaw:UsingAddressing wsdl:required="true"/>` is required for strict conformance to [IHE ITI Technical Framework Vol. 2x](#), Appendix V (and is required by IHE testing tools), but readers are warned that some web services infrastructure implementation will not use or recognize it, so it is well if feasible to be prepared to include it or not, to be prepared to deal with both situations.

DeviceObservationConsumer.xsd

```

<?xml version="1.0" encoding="UTF-8"?>
<schema xmlns="http://www.w3.org/2001/XMLSchema" xmlns:tns="urn:ihe:pcd:dec:2010"
targetNamespace="urn:ihe:pcd:dec:2010">
    <element name="CommunicatePCDData" type="tns:UnsolicitedObservationResult"/>
    <element name="CommunicatePCDDataResponse" type="tns:GeneralAcknowledgement"/>
    <simpleType name="UnsolicitedObservationResult">
        <restriction base="string"/>
    </simpleType>
    <simpleType name="GeneralAcknowledgement">
        <restriction base="string"/>
    </simpleType>
</schema>

```

J.2 Sample PCD-01 message and response

4485 In addition to the WSDL-related rules found in Appendix V of the [IHE ITI Technical Framework Volume 2x](#), the framework contains a number of conformance constraints for web service consumers and providers. These rules were developed to improve IHE-related web service interoperability and PCD implementations using web services are required to comply.

4490 Note that the contents of the urn:ihe:pcd:dec:2010:CommunicatePCDData element must contain the entire contents of a valid PCD-01 Observation Result message. However, based on the character restrictions of XML and web services, there are a number of characters that cannot be used in their literal form (see <http://www.w3.org/International/questions/qa-controls#support> for more information).

4495 Restricted characters, such as "&" and "<cr>", must be escaped using XML predefined character entity references wherever possible (e.g., &). For restricted characters that have no predefined character entity references, a numeric character references should be used instead (e.g., &#d;). Messages containing characters which are prohibited from use in XML in both literal and escaped format are prohibited from being sent using the WS* transport profile.

4500 For a complete list of excluded characters, please see the XML specification at <http://www.w3.org/TR/xml/#syntax>

Examples of a Communicate PCD Data message «CommunicatePCDData.xml» and a typical response «CommunicatePCDDataResponse.xml» are shown below (informative).

CommunicatePCDData.xml
<pre> <?xml version="1.0" encoding="UTF-8"?> <soapenv:Envelope xmlns:soapenv="http://www.w3.org/2003/05/soap-envelope"> <soapenv:Header xmlns:wsa="http://www.w3.org/2005/08/addressing"> <wsa:To soapenv:mustUnderstand="true"> http://localhost:9097/org.openhealthtools.stepstone.backend.gateway/DeviceObservationConsumer_Service </wsa:To> <wsa:From soapenv:mustUnderstand="true"> <wsa:Address> http://www.w3.org/2005/08/addressing/anonymous </wsa:Address> </wsa:From> <wsa:MessageID soapenv:mustUnderstand="true"> urn:uuid:A52590343911955D1A1251497585530 </wsa:MessageID> <wsa:Action soapenv:mustUnderstand="true"> urn:ihe:pcd:2010:CommunicatePCDData </wsa:Action> </soapenv:Header> <soapenv:Body> <CommunicatePCDData xmlns="urn:ihe:pcd:dec:2010"> MSH ^~\& AcmeInc^ACDE48234567ABCD^EUI- 64 20090713090030+0500 ORU^R01^ORU_R01 MSGID1234 P 2.6 NE AL IHE PCD ORU-R01 2006^HL7^2.16.840.1.113883.9.n.m^HL7&#xD; PID 789567^^^Imaginary Hospital^PI Doe^John^Joseph^^^^L^A M&#xD; OBR 1 AB12345^AcmeAHDInc^ACDE48234567ABCD^EUI-64 CD12345^AcmeAHDInc^ACDE48234567ABCD^EUI- 64 528391^MDC_DEV_SPEC_PROFILE_BP^MDC 20090813095715+0500&#xD; OBX 1 528391^MDC_DEV_SPEC_PROFILE_BP^MDC 1 R 0123456789ABCDEF^EUI-64&#xD; OBX 2 150020^MDC_PRESS_BLD_NONINV^MDC 1.0.1 R 20090813095715+0500&#xD; OBX 3 NM 150021^MDC_PRESS_BLD_NONINV_SYS^MDC 1.0.1.1 120 266016^MDC_DIM_MMHG^MDC R&#xD; OBX 4 NM 150022^MDC_PRESS_BLD_NONINV_DIA^MDC 1.0.1.2 80 266016^MDC_DIM_MMHG^MDC R&#xD; OBX 5 NM 150023^MDC_PRESS_BLD_NONINV_MEAN^MDC 1.0.1.3 100 266016^MDC_DIM_MMHG^MDC R&#xD; </CommunicatePCDData> </soapenv:Body> </soapenv:Envelope> </pre>

4505

CommunicatePCDDataResponse.xml

```
<?xml version="1.0" encoding="UTF-8"?>
<soapenv:Envelope xmlns:soapenv="http://www.w3.org/2003/05/soap-envelope">
  <soapenv:Header xmlns:wsa="http://www.w3.org/2005/08/addressing">
    <wsa:Action>
urn:ihe:pcd:2010:CommunicatePCDDataResponse
    </wsa:Action>
    <wsa:RelatesTo>
urn:uuid:F8C3FF2964F94E404E1251145112405
    </wsa:RelatesTo>
  </soapenv:Header>
  <soapenv:Body>
    <CommunicatePCDDataResponse xmlns="urn:ihe:pcd:dec:2010">
MSH|^~\&|Stepstone|AcmeInc^ACDE48234567ABCD^EUI64||20090726095731+0500||ACK^A01^ACK|AMSGID1234|
P|2.6|&#xD;
MSA|AA|MSGID1234|Message Accepted|&#xD;
  </CommunicatePCDDataResponse>
  </soapenv:Body>
</soapenv:Envelope>
```

4510

Appendix K – Message Transport Using WCTP (ACM Transactions PCD-06 and PCD-07)

The following appendix covers the messages exchanged between an IHE PCD ACM Alert Manager and an Alert Communicator using the WCTP protocol

4515 **K.1 Abbreviations and definitions**

HTTP – HyperText Transport Protocol

WCTP – Wireless Communications Transfer Protocol – the protocol between the ACM Alert Manager and the ACM Alert Communicator Actors.

4520 **MCR** (Multiple Choice Response) – the means to pass a message with selectable responses from the ACM Alert Manager to the ACM Alert Communicator.

XML – eXtensible Markup Language

What is WCTP

4525 WCTP is the protocol between the ACM Alert Manager and the ACM Alert Communicator Actors. It makes use of an optionally securable (authentication and encryption) HTTP transport layer to convey XML-based WCTP protocol exchanges between a WCTP client (the ACM Alert Manager) and the WCTP server (the ACM Alert Communicator).

K.2 Pre-Configuration

The HTTP source to destination is assumed to be resolved through pre-configuration.

4530 Whether or not secure http (HTTPS) is used or not is resolved through pre-configuration

The WCTP PollerID and security password used to identify the message send requestor (not the request itself) are assumed to be resolved through pre-configuration.

The URI values for the WCTP senderID and sendResponseToID are assumed to be resolved through pre-configuration.

4535 **K.3 Endpoint Device Addressing**

Endpoint entity (wireless device) addressing can be per WCTP (often the phone number of the endpoint device), but in any event it is presumed to be pre-configured so that there is a match from Alert Manager (AM) to Alert Communicator (AC).

K.4 Polling Versus Push Responses

4540 The decision as to whether polling or push response is used for status updates is assumed to be resolved through pre-configuration. WCTP would be best used in its web push response form rather than polling for responses so as to maintain responsiveness of status updates and replies.

Some WCTP implementations have minimum tolerable poll intervals to reduce overall polling of the WCTP gateway server, the Alert Communicator (AC).

4545 **K.5 Constraints**

The use of WCTP for ACM does not require Message Response Redirection.

Sub-second timing is not expected to be needed by ACM use of WCTP.

The WCTP messageID is used to track the status of a message that was sent from the Alert Manager to the Alert Communicator.

4550 The WCTP notifyWhen element should indicate notifyWhenDelivered (notify upon delivery to device) and notify upon read receipt.

If WCTP version query is not supported then a request for version query must not be ignored. It must be responded to with a Not Supported WCTP confirmation response.

K.6 Transactions

4555

Table K.6-1: WCTP requests and responses

Request	Alert Communicator Actor (WCTP Server)	Alert Manager Actor (WCTP Client)	Needed
	Receives	Submits	
wctp-ClientQuery	Yes	No	No (polling)
wctp-LookupSubscriber	Yes	No	No
wctp-LookupResponse	No	Yes	No
wctp-DeviceLocation	Yes	No	No
wctp-DeviceLocationResponse	No	Yes	No
wctp-MessageReply	Yes	Yes	Yes
wctp-PollForMessages	Yes	No	No
wctp-ReturnToSvc	Yes	No	Yes
wctp-SendMsgMulti	Yes	No	No
wctp-StatusInfo	Yes	Yes	No
wctp-SubmitClientMessage	Yes	No	Yes
wctp-SubmitRequest	Yes	Yes	No
wctp-VersionQuery	Yes	Yes	Yes

K.7 WCTP XML Element Common Data Items

Some message exchanges are administrative in nature, similar to TCP open, accept, and acknowledgement messages which are not documented as a part of HL7, while others have a direct and obvious place in the ACM Profile as transactions, such as PCD-06 and PCD-07.

4560

Please note, XML constant strings are presented in normal text. XML data to be filled in during implementation is presented in **bold red** text.

The format of WCTP conformant timestamps (**timestamp**) is: yyyy-mm-ddThh:mm:ss.ttt

All times are UTC. WCTP does not support the ability to indicate a time zone offset.

4565 Hours (**hh**) in 24-hour format, and **.ttt** is the optional number of milliseconds

Example: 2011-01-19T20:33:52

A **push response URI** is the URI (URL minus the HTTP://) used to identify the HTTP POST destination for WCTP replies and status updates.

4570 The **notification text** value is the actual text message to be presented to the wireless device operator.

The **sender ID** is the security identification of the IHE ACM to the WCTP receiver.

The **security code** is essentially the password to go with the security sender ID.

The **message ID** is the identification of the overall message to the ACM Alert Communicator by the Alert Manager.

4575 The **transaction ID** is the lower level transaction identification making up the message.

The **recipient PIN** is the identification of the destination device as per the ACM Alert Communicator.

The **e-mail address** is the optional ACM Alert Manager contact information e-mail address.

4580 The **phone number** is the optional ACM Alert Manager contact information voice telephony phone number.

The **web site** is the optional ACM Alert Manager contact information web site.

The **info string** is the optional ACM Alert Manager contact information comment.

The **priority** is any of HIGH, NORMAL, or LOW with a default of NORMAL.

4585 The **sequence number** is a sequential value used for tracking polling requests and responses used during Virtual Pre-Connectathon testing.

The **batch size** is the numeric maximum count of responses a WCTP client (ACM Alert Manager) expects from a WCTP poll request to a WCTP server (ACM Alert Communicator). A common value is 500.

The **WCTP version** indicates the expected version of WCTP XML message content supported.

4590

Table K.7-1: WCTP version values

Value	Indicating WCTP version	MCR support
wctp-dtd-v1r1	1.1	None
wctp-dtd-v1r2	1.2	Unpaired
wctp-dtd-v1r3	1.3	Paired

Value	Indicating WCTP version	MCR support
wctp-dtd-ihepcd-pcd06-v1r1	IHEPCD-PCD06-V1R1	Paired
wctp-dtd-ihepcd-pcd06-v1r2	IHEPCD-PCD06-V1R2	Paired

The **WCTP DTD** identifies the URL of the DTD (Data Type Definition) for the indicated version of WCTP supported.

Table K.7-2: WCTP DTD values

Value	Indicating WCTP version	MCR support
http://dtd.wctp.org/wctp-dtd-v1r1.dtd	1.1	None
http://dtd.wctp.org/wctp-dtd-v1r2.dtd	1.2	Unpaired
http://dtd.wctp.org/wctp-dtd-v1r3.dtd	1.3	Paired
ftp://ftp.ihe.net/Patient_Care_Devices/Profiles/ACM/wctp-dtd-ihepcd-pcd06-v1r1.dtd	IHEPCD-PCD06-V1R1	Paired
ftp://ftp.ihe.net/Patient_Care_Devices/Profiles/ACM/wctp-dtd-ihepcd-pcd06-v1r2.dtd	IHEPCD-PCD06-V1R2	Paired

4595

The IHEPCD-PCD06-V1R1 value is used to signal the willingness of the Alert Communicator to the Alert Manager to support communication of waveform evidentiary data and/or waveform graphical snippets sent from the Alert Manager to the Alert Communicator in the PCD-06 message.

4600

The **Next Poll Interval** is the number of seconds the ACM Alert Manager (WCTP client) should wait before again polling the ACM Alert Communicator (WCTP server). The ACM Alert Communicator (WCTP server) dictates this value to reduce the aggregate polling load on the WCTP server by all WCTP polling clients. Given that there are typically not many ACM Alert Manager instances per ACM Alert Communicator instance, this interval can be kept to a small single digit number of seconds. In typical WCTP wide area communication deployments, there are often hundreds if not maybe thousands of WCTP clients per WCTP server.

4605

The graphics format and graphical image attachments are IHE PCD domain specific extensions to WCTP version 1.3 to convey waveform graphical snippets.

4610

The **graphics format** indicates the format of the graphical image information, and the value can be any one of SVG, JPEG, PNG, or BMP as agreed between the ACM Alert Manager vendor and the ACM Alert Communicator vendor.

The **graphical image** is a base-64 encoded string representing one of the evidentiary data static graphical images represented by one of the sets of evidentiary data from the ACM PCD-04 message sent from the ACM Alert Reporter to the ACM Alert Manager.

4615

The **telephony dial string** is an encoded telephony dial string, including any required prefixes, area codes, PBX switch hops, or pauses needed to permit the ACM Alert Communicator endpoint communication device operator to make a telephone call from that device back to a patient’s room or to the observation producer/order filler.

4620 The **status update** is the string indicating the type of status update that the ACM Alert Communicator is reporting back to the ACM Alert Manager in wctp-Notification. Possible values are as QUEUED, DELIVERED, or READ. Additionally there are the optional IHE PCD ACM Profile specific values for IHEPCDCALLBACKSTART and IHEPCDCALLBACKEND in support of Call Back Number phone dialing by the operator of the ACM Alert Communicator endpoint communication device and the resulting telephony call start and call end, the status of
4625 which are useful as logged items in alert response analysis.

The **Send Choice n** is the prompt component of an MCR request. This is the value used by the ACM Alert Communicator to populate buttons, softkeys, or menu choices on the endpoint communication device for selection by the device operator. There can be multiple.

4630 The **Reply Choice n** is the response value component of an MCR request. This value is correlated with its same ordinal occurrence **Send Choice n** value.

4635 The **response text** is the string sent by the endpoint communication device of the ACM Alert Communicator back to the ACM Alert Manager as the response to a notification message sent from the ACM Alert Manager to the ACM Alert Communicator. In the case of an MCR response the text can be predefined. In the case of non-MCR responses the text can be an unexpected value.

4640 The participant ID is the unique identifier of a participant in this alert indication as per the Alert Communicator. The participant name is the name of the participant. The participant classification is the type of the participant so that the Alert Communicator knows how to process the participant ID. The available values for classification are DEVICE, PATIENT, or STAFF. There can be multiple wctp-IHEPCDACMParticipant elements.

The responder ID is the unique identifier of the person who is assigned to respond to this alert as per the Alert Communicator. It is up to the Alert Communicator whether it chooses to use the recipient PIN, the responder ID, or a combination of both to route messages.

4645 The location of an alert is defined by one or more location elements. These location elements are modeled off of the FHIR^{®8} Location resource. There are attributes for the identifier, description, type, and physical type. Refer to the FHIR standard for descriptions and available values of these attributes.

4650 The alert timestamp is the timestamp for an alert indication according to the Alert Manager. This corresponds to a value in a PCD-04 Report Alert transaction, but it is in the format of a WCTP conformant timestamp (yyyy-mm-ddThh:mm:ss.tt). For more information, see Section B.8.7 in the IHE PCD TF Volume 2.

The filler order number is the unique identifier for status updates to an alert indication. This corresponds to a value in a PCD-04 Report Alert transaction. For more information, see Section B.7.1 in the IHE PCD TF Volume 2.

4655 The parent filler order number is the unique identifier for the original alert indication. This corresponds to a value in a PCD-04 Report Alert transaction. For more information, see Section B.7.1 in the IHE PCD TF Volume 2.

⁸ FHIR is the registered trademark of Health Level Seven International.

The value is the numeric result of an alert. This corresponds to an observation in a PCD-04 Report Alert transaction. For more information, see Section B.8.5 in the IHE PCD TF Volume 2.

4660 Units is the measurement type of the value of an alert. This corresponds to an observation in a PCD-04 Report Alert transaction. For more information, see Section B.8.5 in the IHE PCD TF Volume 2.

The reference range is the alert range set in the device. This corresponds to a value in a PCD-04 Report Alert transaction. For more information, see Section B.8.5 in the IHE PCD TF Volume 2.

4665 The abnormality type indicates the type of abnormality described by this alert. This corresponds to an observation in a PCD-04 Report Alert transaction. For more information, see Section B.8.5 in the IHE PCD TF Volume 2.

4670 The event identification is the MDC event code for the alert. This corresponds to an observation in a PCD-04 Report Alert transaction. For more information, see Table B.8.5-1 in the IHE PCD TF Volume 2.

The source identification is the physiological measurement or technical source responsible for the alert. This corresponds to an observation in a PCD-04 Report Alert transaction. For more information, see Table B.8.5-1 in the IHE PCD TF Volume 2.

4675 The event phase is whether the stimulus for the message is the beginning, end, or some other state or state transition of the alert. This corresponds to an observation in a PCD-04 Report Alert transaction. An Alert Manager can use this field to inform an Alert Communicator that a PCD-06 message was sent as a result of an escalation or deescalation. For more information, see Table B.8.5-1 in the IHE PCD TF Volume 2.

4680 The alert state is the state of the underlying alert condition at the patient care device. This corresponds to an observation in a PCD-04 Report Alert transaction. For more information, see Table B.8.5-1 in the IHE PCD TF Volume 2.

The inactivation state is whether or not visual or aural indications at the patient care device are inactivated. This corresponds to an observation in a PCD-04 Report Alert transaction. For more information, see Table B.8.5-1 in the IHE PCD TF Volume 2.

4685 The alarm priority is the priority of an alert. This corresponds to an observation in a PCD-04 Report Alert transaction. For more information, see Table B.8.5-1 in the IHE PCD TF Volume 2.

The alert type is the type of alert. This corresponds to an observation in a PCD-04 Report Alert transaction. For more information, see Table B.8.5-1 in the IHE PCD TF Volume 2.

Table K.7-3: Mapping alert data elements to PCD-04 transactions

Data elements	PCD-04 location
Alert timestamp	Either: 1. OBR-7 2. OBX-14
Filler order number	OBR-3
Parent filler order number	OBR-29

Value	OBX-5 of OBX segment with Source Identification facet for alerts with a type of Physiological
Units	OBX-6 of OBX segment with Source Identification facet for alerts with a type of Physiological
Reference range	OBX-7 of OBX segment with Source Identification facet for alerts with a type of Physiological
Abnormality type	Either: <ol style="list-style-type: none"> OBX-5 of OBX segment with Abnormality Type facet Component of OBX-8 Abnormal Flags field of OBX segment with Event Identification facet
Event identification	OBX-5 of OBX segment with Event Identification facet
Source identification	Either: <ol style="list-style-type: none"> OBX-3 of OBX segment with Source Identification facet for alerts with a type of Physiological OBX-5 of OBX segment with Source Identification facet for other alert types
Event phase	OBX-5 of OBX segment with Event Phase facet
Alert state	OBX-5 of OBX segment with Alert State facet
Inactivation state	OBX-5 of OBX segment with Inactivation State facet
Alarm priority	Either: <ol style="list-style-type: none"> OBX-5 of OBX segment with Alarm Priority facet Component of OBX-8 Abnormal Flags field of OBX segment with Event Identification facet
Alert type	Either: <ol style="list-style-type: none"> OBX-5 of OBX segment with Alert Type facet Component of OBX-8 Abnormal Flags field of OBX segment with Event Identification facet
Location – Point of Care	PV1-3.1 maps to a wctp-IHEPCDACMLocation element with a type attribute of “HU” as defined in the FHIR ServiceDeliveryLocationRoleType.
Location – Room	PV1-3.2 maps to a wctp-IHEPCDACMLocation element with a physical type attribute of “ro” as defined in the FHIR Location Physical Type value set.
Location – Bed	PV1-3.3 maps to a wctp-IHEPCDACMLocation element with a physical type attribute of “bd” as defined in the FHIR Location Physical Type value set.

4690 The update action is the action that an ACM AC should take for a previous wctp-SubmitRequest message. It is sent by an ACM Alert Manager to an ACM Alert Communicator. The available values are CANCEL, ESCALATE, and DEESCALATE.

K.8 WCTP client–server messages and responses

Sections are indicated as message classification – message type – usage indication

4695 The message classification is either Administrative or the IHE PCD ACM message (PCD-06, PCD-07, etc.)

The message type is the WCTP interface specification operation types.

4700 The usage indication is used to distinctively indicate different uses for the same IHE PCD ACM message, like when MCR is not supported, supported but unpaired, or supported and paired, or to convey ACM Profile proprietary extensions to WCTP like those needed to convey alert associated evidentiary information from the ACM Alert Manager to the ACM Alert Communicator.

K.8.1 Administrative – wctp-VersionQuery

4705 This message is used to determine whether or not the WCTP server, the ACM Alert Communicator, supports Multiple Choice Response (MCR) pairs on SubmitRequest messages. See WCTP version above.

```
4710 <?xml version="1.0"?>
<!DOCTYPE wctp-Operation SYSTEM "WCTP DTD" >
<wctp-Operation wctpVersion="WCTP version">
  <wctp-VersionQuery inquirer="push response URI" listDTDs="yes"/>
</wctp-Operation>
```

K.8.2 Administrative – wctp-VersionResponse

This message is used when VersionQuery operation is not supported.

```
4715 <?xml version="1.0"?>
<!DOCTYPE wctp-Operation SYSTEM "WCTP DTD">
<wctp-Operation wctpVersion="WCTP version" wctpToken="11AA">
  <wctp-Confirmation>
    <wctp-Failure errorCode="300" errorText="Operation not supported.">
      </wctp-Failure>
    </wctp-Confirmation>
  </wctp-Operation>
```

4720

4725 The assumption to this response is that the ACM Alert Manager is to use only WCTP 1.1 XML messages and not later, e.g., is no support for MCR.

K.8.3 Administrative – wctp-VersionResponse

This message is used when Version Query operation is supported.

```
4730 <?xml version="1.0" encoding="utf-8"?>
<!DOCTYPE wctp-Operation SYSTEM "WCTP DTD">
<wctp-Operation wctpVersion="WCTP version">
  <wctp-VersionResponse inquirer="push response URI" responder="responder name"
    dateTimeOfRsp="timestamp" dateTimeOfReq="timestamp" invalidAfter="timestamp">
```



```

4735     <wctp-ContactInfo email="e-mail address" phone="phone number" www="web site"
info="info string" />
     <wctp-DTDsupport supportType="Supported" dtdName="WCTP version" verToken="11AA" />
</wctp-VersionResponse>
</wctp-Operation>

```

4740 A response dtdName of "wctp-dtd-v1r3" indicates support for ACM Profile conformant WCTP
 version 1.3 which indicates support for Multiple Choice Response (MCR) pairs on WCTP
 SubmitRequest messages. MCR pairs are used to populate soft keys on wireless device operator
 interfaces and so that the reply value can be vendor specific and still be presented in a vendor
 agnostic manner. A response of dtdName of "wctp-dtd-v1r2" indicates support for WCTP 1.2
 4745 which supports non-paired MCR.

K.8.4 IHE PCD-06 – wctp-SubmitRequest – no MCR

This message is used to send a message from the ACM Alert Manager to the ACM Alert
 Communicator when MCR is not to be indicated because this is either a test message or the
 ACM Alert Communicator does not support MCR.

```

4750 <?xml version="1.0"?>
<!DOCTYPE wctp-Operation SYSTEM "WCTP DTD">
<wctp-Operation wctpVersion="WCTP version">
  <wctp-SubmitRequest>
4755   <wctp-SubmitHeader submitTimestamp="timestamp">
     <wctp-Originator senderID="sender ID" securityCode="security code"/>
     <wctp-MessageControl messageID="message ID" transactionID="transaction ID"
allowResponse="true" deliveryPriority="priority" notifyWhenDelivered="true"
preformatted="true"/>
4760     <wctp-Recipient recipientID="recipient PIN"/>
   </wctp-SubmitHeader>
   <wctp-Payload>
     <wctp-Alphanumeric>notification text</wctp-Alphanumeric>
   </wctp-Payload>
4765 </wctp-SubmitRequest>
</wctp-Operation>

```

K.8.5 IHE PCD-06 – wctp-SubmitRequest – Unpaired MCR

This message is used when the ACM Alert Manager wants to send a message to the ACM Alert
 Communicator and while MCR is to be indicated the ACM Alert Communicator does not
 4770 support paired MCR so unpaired MCR is used.

```

4775 <?xml version="1.0"?>
<!DOCTYPE wctp-Operation SYSTEM "WCTP DTD">
<wctp-Operation wctpVersion="WCTP version">
  <wctp-SubmitRequest>
     <wctp-SubmitHeader submitTimestamp="timestamp">

```

```

4780     <wctp-Originator senderID="sender ID" securityCode="security code"/>
        <wctp-MessageControl messageID="message ID" transactionID="transaction ID"
allowResponse="true" deliveryPriority="priority" notifyWhenDelivered="true"
preformatted="true" notifyWhenRead="true"/>
        <wctp-Recipient recipientID="recipient PIN"/>
    </wctp-SubmitHeader>
    <wctp-Payload>
4785     <wctp-MCR>
        <wctp-MessageText>notification text</wctp-MessageText>
        <wctp-Choice>Accept</wctp-Choice>
        <wctp-Choice>Reject</wctp-Choice>
    </wctp-MCR>
    </wctp-Payload>
4790 </wctp-SubmitRequest>
</wctp-Operation>

```

When using unpaired MCR the wctp-Choice value selected by the endpoint device operator is the response data from the WCTP server (the ACM Alert Communicator) back to the WCTP client (the ACM Alert Manager).

4795

K.8.6 IHE PCD-06 – wctp-SubmitRequest – Paired MCR

This message is used to send a message from the ACM Alert Manager to the ACM Alert Communicator when the ACM Alert Communicator supports paired MCR.

```

4800 <?xml version="1.0"?>
<!DOCTYPE wctp-Operation SYSTEM "WCTP DTD">
<wctp-Operation wctpVersion="WCTP version">
    <wctp-SubmitRequest>
        <wctp-SubmitHeader submitTimestamp="timestamp">
4805     <wctp-Originator senderID="sender ID" securityCode="security code"/>
        <wctp-MessageControl messageID="message ID" transactionID="transaction ID"
allowResponse="true" deliveryPriority="priority" notifyWhenDelivered="true"
preformatted="true" notifyWhenRead="true"/>
        <wctp-Recipient recipientID="recipient PIN"/>
4810     </wctp-SubmitHeader>
    <wctp-Payload>
        <wctp-MCR>
            <wctp-MessageText>notification text</wctp-MessageText>
            <wctp-ChoicePair>
4815     <wctp-SendChoice>Send Choice 1</wctp-SendChoice>
        <wctp-ReplyChoice>Reply Choice 1</wctp-ReplyChoice>
            </wctp-ChoicePair>
            <wctp-ChoicePair>
4820     <wctp-SendChoice> Send Choice 2</wctp-SendChoice>
        <wctp-ReplyChoice> Reply Choice 2</wctp-ReplyChoice>
            </wctp-ChoicePair>
            </wctp-ChoicePair>
        </wctp-MCR>
    </wctp-Payload>
</wctp-SubmitRequest>
</wctp-Operation>

```

```

4825         <wctp-SendChoice> Send Choice 3</wctp-SendChoice>
           <wctp-ReplyChoice> Reply Choice 3</wctp-ReplyChoice>
           </wctp-ChoicePair>
         </wctp-MCR>
       </wctp-Payload>
     </wctp-SubmitRequest>
  </wctp-Operation>

```

4830

When using a paired MCR the selectable values presented to the endpoint device operator are in the wctp-SendChoice elements. Once selected the correlated reply value sent to the WCTP client (the ACM Alert Manager) is in the wctp-ReplyChoice element.

K.8.7 IHE PCD-06 – wctp-SubmitRequest – Call Back Phone Number

4835 The following ACM Profile proprietary extensions to the wctp-SubmitRequest are used to convey the HL7 Call Back Phone Number from the ACM Alert Manager to the ACM Alert Communicator.

4840 The WCTP 1.3r1 interface specification that is the basis for ACM Alert Manager – Alert Communicator communication does not support the ability to pass other than a client request contact phone number in association with a message submit request. For this reason the ACM Profile is required to extend the WCTP 1.3r1 interface specification in a backward transparent manner in order to convey the HL7 Call Back Phone Number (OBR-17) from the ACM PCD-04 HL7 message received by the ACM Alert Manager from the ACM Alert Reporter for sending to the ACM Alert Communicator.

4845 In order for the WCTP server (the ACM Alert Communicator) to signal its willingness to receive and potentially support IHE ACM Profile evidentiary data extensions to WCTP 1.3r1, per the extensions mechanism defined in Section 3.6 Protocol Version of the WCTP 1.3r1 interface specification, the DTD response value shall be “wctp-dtd-ihepcd-pcd06-v1r1” to indicate support for reception of the Call Back Phone Number extension to WCTP 1.3r1. This version shall
 4850 presume at a minimum WCTP version 1.3r1 capabilities, with primary emphasis on the ability of the WCTP server (ACM Alert Communicator) to support paired MCR if sent in a wctp-SubmitRequest message from the WCTP client (the ACM Alert Manager) to the WCTP server (the ACM Alert Communicator).

4855 On wctp-SubmitRequest messages the WCTP 1.3r1 interface specification supports a choice of one of wctp-Alphanumeric (simple text with no MCR), wctp-TransparentData (binary encoded data), or wctp-MCR (simple text accompanied with either unpaired or paired MCR). Since only smarter devices, associated with the newest WCTP implementations, are expected to make use of the additional alert evidentiary information in the PCD-06 transaction and so as to offload simple non-MCR message WCTP implementations from having to ignore the extensions, the wctp-MCR element tree has been selected as the extension point for the WCM related additional XML
 4860 elements.

In order to pass the Call Back Phone Number used for the ACM nurse call use case for telephony call back to the patient in the room, or for the ACM laboratory results/observations use case for

4865 telephony call back to the results provider/order filler for any required results/observation read back, the following additional WCTP XML element is defined specifically to pass the telephony dial back string from the ACM Alert Manager to the ACM Alert Communicator by means able to be more deterministically referenced than simply including the string in the message text sent to the endpoint communication device operator.

4870 `<wctp-IHEPCDDialback String="telephony dial string" />`

K.8.8 IHE PCD-07 – Synchronous response to wctp-SubmitRequest – Received by communications status update

4875 This message is used by the ACM Alert Communicator to convey immediate request status responses to the ACM Alert Manager while the submit request initiating TCP connection is still open. This is the means by which the PCD-07 status indication of **Received by communications** (accepted by WCTP gateway) is conveyed from the ACM Alert Communicator to the ACM Alert Manager.

The following is an indication of the successful queuing of a message from the ACM Alert Manager to the ACM Alert Communicator.

4880 `<?xml version="1.0"?>`
`<!DOCTYPE wctp-Operation SYSTEM "WCTP DTD">`
`<wctp-Operation wctpVersion="WCTP version" wctpToken="11AA">`
`<wctp-Confirmation>`
4885 `<wctp-Success successCode="200" successText="Accepted">comment</wctp-Success>`
`</wctp-Confirmation>`
`</wctp-Operation>`

4890 The following is an indication of the failed attempt to queue a message from the ACM Alert Manager to the ACM Alert Communicator.

4895 `<?xml version="1.0"?>`
`<!DOCTYPE wctp-Operation SYSTEM "WCTP DTD">`
`<wctp-Operation wctpVersion="WCTP version" wctpToken="11AA">`
`<wctp-Confirmation>`
`<wctp-Failure errorCode="500" errorText="Timeout">comment</wctp-Failure>`
`</wctp-Confirmation>`
`</wctp-Operation>`

4900 Refer to the WCTP interface specification for all possible values for successCode and successText as well as errorCode and errorText.

K.8.9 wctp-PollForMessages – general poll (for Pre-Connectathon/Virtual Connectathon testing)

4905 In a Pre-Connectathon or Virtual Connectathon environment where firewalls may not permit the ACM Alert Communicator to post asynchronous status updates and replies across the Internet there is a WCTP polling capability. As polling adds a potentially non-determinant delay in the ACM Alert Manager – Alert Communicator interaction times the use of polling is not for use during IHE Connectathon testing nor should it be used in live deployments where the non-determinant delay could increase patient safety risk.

4910 The following poll is a general poll and not a poll for status or replies for any specific messages.

```
4915 <?xml version="1.0"?>
<!DOCTYPE wctp-Operation SYSTEM "WCTP DTD">
<wctp-Operation wctpVersion="WCTP version">
  <wctp-PollForMessages pollerID="poller ID" securityCode="security code"
maxMessagesInBatch="batch size"/>
</wctp-Operation>
```

K.8.10 wctp-PollResponse – general poll (for Pre-Connectathon/Virtual Connectathon testing)

4920 This is the general poll response sent by the ACM Alert Communicator to the ACM Alert Manager when the poll response is that no messages have status updates or replies.

```
4925 <?xml version="1.0"?>
<!DOCTYPE wctp-Operation SYSTEM "WCTP DTD">
<wctp-Operation wctpVersion="1.0">
  <wctp-PollResponse minNextPollInterval="Next Poll Interval">
    <wctp-NoMessages/>
  </wctp-PollResponse>
</wctp-Operation>
```

4930 K.8.11 wctp-PollResponse message status update (for Pre-Connectathon/Virtual Connectathon testing)

This is the general poll response sent by the ACM Alert Communicator to the ACM Alert Manager when the poll response is that a message has a status update. The value of **status update** can be any of “QUEUED”, “DELIVERED”, or “READ”.

```
4935 <?xml version="1.0"?>
<!DOCTYPE wctp-Operation SYSTEM "WCTP DTD">
<wctp-Operation wctpVersion="1.0">
  <wctp-PollResponse minNextPollInterval="Next Poll Interval">
4940   <wctp-Message sequenceNo="sequence number">
     <wctp-StatusInfo>
       <wctp-ResponseHeader responseToMessageID="message ID"
responseTimestamp="timestamp">
4945         </wctp-ResponseHeader>
       <wctp-Notification type="status update" />
     </wctp-Message>
   </wctp-PollResponse>
</wctp-Operation>
```

```

        </wctp-StatusInfo>
    </wctp-Message>
</wctp-PollResponse>
</wctp-Operation>

```

4950 **K.8.12 wctp-PollResponse message status update acknowledgement (for Pre-Connectathon/Virtual Connectathon testing)**

This is the poll response acknowledgement message sent from the ACM Alert Manager back to the ACM Alert Communicator to let the Alert Communicator know that the message status update has been successfully conveyed from the Alert Communicator to the Alert Manager and that the Alert Communicator can discard status updates for the messages.

```

4960 <?xml version="1.0"?>
    <!DOCTYPE wctp-Operation SYSTEM "WCTP DTD">
    <wctp-Operation wctpVersion="WCTP version">
        <wctp-PollForMessages pollerID="poller ID" securityCode="security code"
maxMessagesInBatch="batch size">
            <wctp-MessageReceived sequenceNo="sequence number">
                <wctp-Success successCode="200" successText="Message accepted">comment</wctp-
Success>
4965             </wctp-MessageReceived>
            </wctp-PollForMessages>
        </wctp-Operation>

```

4970 **K.8.13 wctp-PollResponse (message reply, not in response to an MCR based wctp-SubmitRequest) (for Pre-Connectathon/Virtual Connectathon testing)**

```

4970 <?xml version="1.0"?>
    <!DOCTYPE wctp-Operation SYSTEM "WCTP DTD">
    <wctp-Operation wctpVersion="1.0">
        <wctp-PollResponse minNextPollInterval="Next Poll Interval">
4975             <wctp-Message sequenceNo="sequence number">
                <wctp-MessageReply>
                    <wctp-ResponseHeader responseToMessageID="message ID"
responseTimestamp="timestamp">
4980                         <wctp-Payload>
                            <wctp-Alphanumeric>response text</wctp-Alphanumeric>
                        </wctp-Payload>
                    </wctp-MessageReply>
                </wctp-Message>
            </wctp-PollResponse>
4985 </wctp-Operation>

```

K.8.14 IHE PCD-07 asynchronous status update (DELIVERED - delivery confirmation)

The value of *status update* would be “DELIVERED”.

```

4990 <?xml version="1.0" encoding="utf-16"?>
      <!DOCTYPE wctp-Operation SYSTEM "WCTP DTD">
      <wctp-Operation wctpVersion="WCTP version">
        <wctp-StatusInfo>
          <wctp-ResponseHeader responseTimestamp="timestamp" respondingToTimestamp="timestamp"
4995 onBehalfOfRecipientID="recipient PIN">
            <wctp-Originator senderID="sender ID" />
            <wctp-MessageControl messageID="message ID" transactionID="transaction ID" />
            <wctp-Recipient authorizationCode="" />
          </wctp-ResponseHeader>
5000 <wctp-Notification type="status update" />
        </wctp-StatusInfo>
      </wctp-Operation>

```

K.8.15 IHE PCD-07 asynchronous status update (READ - read receipt)

The value of **status update** would be “READ”.

```

5005 <?xml version="1.0" encoding="utf-16"?>
      <!DOCTYPE wctp-Operation SYSTEM "WCTP DTD">
      <wctp-Operation wctpVersion="WCTP version">
        <wctp-StatusInfo>
          <wctp-ResponseHeader responseTimestamp="timestamp" respondingToTimestamp="timestamp"
5010 onBehalfOfRecipientID="recipient PIN">
            <wctp-Originator senderID="sender ID" />
            <wctp-MessageControl messageID="message ID" transactionID="transaction ID" />
            <wctp-Recipient authorizationCode="" />
          </wctp-ResponseHeader>
5015 <wctp-Notification type="status update" />
        </wctp-StatusInfo>
      </wctp-Operation>

```

K.8.16 IHE PCD-07 asynchronous reply message with MCR

```

5020 <?xml version="1.0" encoding="utf-16"?>
      <!DOCTYPE wctp-Operation SYSTEM "WCTP DTD">
      <wctp-Operation wctpVersion="WCTP version">
        <wctp-MessageReply MCRMessageReply="true">
          <wctp-ResponseHeader responseToMessageID="message ID" responseTimestamp="timestamp"
5025 respondingToTimestamp="timestamp" onBehalfOfRecipientID="recipient PIN">
            <wctp-Originator senderID="sender ID" miscInfo="" />
            <wctp-MessageControl messageID="message ID" transactionID="transaction ID" />
            <wctp-Recipient recipientID="recipient PIN" />
          </wctp-ResponseHeader>
5030 <wctp-Payload>
            <wctp-Alphanumeric>response text</wctp-Alphanumeric>
          </wctp-Payload>
        </wctp-MessageReply>
      </wctp-Operation>

```

5035 **K.8.17 IHE PCD specific WCTP extensions to PCD-06 wctp-SubmitRequest for WCM attachments**

5040 WCTP is a text messaging protocol which doesn't support attachments or graphical images and whose maximum message length is restricted. The IHE PCD domain has extended WCTP 1.3 to support optional attachments as either the ACM PCD-04 transaction in its entirety and/or as one or more graphical snippet attachments in support of the Waveform Content Module (WCM) capability. This in turn presumes removal of the message length restriction.

5045 The WCTP 1.3r1 interface specification that is the basis for ACM Alert Manager – Alert Communicator communication supports neither non-plain text messages (encoded attachments) in addition to plain text messages or transmissions of graphical images in addition to plain text messages. For this reason the ACM Profile is required to extend the WCTP 1.3r1 interface specification in a backward transparent manner in order to convey the HL7 evidentiary data associated with WCM (for ECG waveform graphic generation by the ACM Alert Communicator) or to convey a graphical image of the HL7 evidentiary data as produced by the ACM Alert Manager for delivery to an ACM Alert Communicator that has not implemented the algorithms for synthesis of the graphic from the evidentiary data.

5050

In order for the WCTP server (the ACM Alert Communicator) to signal its willingness to receive and potentially support these IHE ACM Profile WCM specific extensions to WCTP 1.3r1, per the extensions mechanism defined in Section 3.6 Protocol Version of the WCTP 1.3r1 interface specification, the DTD response value shall be “wctp-dtd-ihepcd-pcd06-v1r1” to indicate support for reception of either or both of the PCD-04 (HL7 evidentiary data) or a graphical image representative of the evidentiary data and for removal of the maximum message length restriction. This version shall presume at a minimum WCTP version 1.3r1 capabilities, with primary emphasis on the ability of the WCTP server (ACM Alert Communicator) to support paired MCR if sent in a wctp-SubmitRequest message from the WCTP client (the ACM Alert Manager) to the WCTP server (the ACM Alert Communicator).

5055

5060

On wctp-SubmitRequest messages the WCTP 1.3r1 interface specification supports a choice of one of wctp-Alphanumeric (simple text with no MCR), wctp-TransparentData (binary encoded data), or wctp-MCR (simple text accompanied with either unpaired or paired MCR). Since only smarter devices, associated with the newest WCTP implementations, are expected to make use of the additional WCM information in the PCD-06 transaction and so as to offload simple non-MCR message WCTP implementations from having to ignore the extensions, the wctp-MCR element tree has been selected as the extension point for the WCM related additional XML elements.

5065

```

5070     <wctp-IHEPCD04 xmlns="urn:ihe:pcd:acm:2015">
           IHE PCD-04 HL7 message
     </wctp-IHEPCD04>

```

```

     <wctp-IHEPCDWCMImages>
           <wctp-IHEWCMImage Format="graphics format" Encoding="base64">

```


5075 graphical image
 </wctp-IHEWCMImage>
 </wctp-IHEPCDWCMImages >

5080 The IHE PCD-04 HL7 message may or may not contain WCM evidentiary data, but it is expected to contain ACM alarm indication data.

5085 Since a single PCD-04 WCM extension can result in more than a single graphics image the wctp-IHEWCMImage can be repeated. Due to endpoint communication device display real estate limitations the ACM Alert Communicator may not be able to display all of the images presented to it by the ACM Alert Manager, but shall present the images starting with the first for as many as the ACM Alert Communicator supports for the given endpoint communication device.

Whether or not the ACM Alert Manager sends the rendered images to the ACM Alert Communicator is ACM Alert Manager vendor specific.

5090 The Format specification is required, indicates the format of the graphical image information, and the value can be any one of SVG, JPEG, PNG, or BMP as agreed between the ACM Alert Manager vendor and the ACM Alert Communicator vendor.

If the ACM Alert Communicator does not respond to the wctp-VersionQuery with the WCM supportive DTD response indicating value then the Alert Manager shall not send these extensions to the Alert Communicator.

5095 **K.8.18 IHE PCD specific WCTP extensions to wctp-SubmitRequest for alert information**

The following ACM Profile proprietary extensions to the wctp-SubmitRequest are used to convey alert information from the ACM AM to the ACM AC.

5100 The WCTP 1.3r1 interface specification that is the basis for ACM AM – AC communication does not support the ability to pass alert information in association with a message submit request. For this reason, the ACM Profile is required to extend the WCTP 1.3r1 interface specification in a backward transparent manner in order to convey alert information from the ACM AM to the ACM AC.

5105 In order for the WCTP server (the ACM AC) to signal its willingness to receive and potentially support IHE ACM Profile evidentiary data extensions to WCTP 1.3r1, per the extensions mechanism defined in Section 3.6 Protocol Version of the WCTP 1.3r1 interface specification, the DTD response value shall be “wctp-dtd-ihepcd-pcd06-v1r2” to indicate support for reception of the alert information extension to WCTP 1.3r1. This version shall presume at a minimum WCTP version 1.3r1 capabilities, with primary emphasis on the ability of the WCTP server (ACM AC) to support paired MCR if sent in a wctp-SubmitRequest message from the WCTP client (the ACM AM) to the WCTP server (the ACM AC). This version also includes all optional features present in IHEPCD-PCD06-V1R1.

5110

5115 On wctp-SubmitRequest messages the WCTP 1.3r1 interface specification supports a choice of one of wctp-Alphanumeric (simple text with no MCR), wctp-TransparentData (binary encoded data), or wctp-MCR (simple text accompanied with either unpaired or paired MCR). Since only smarter devices, associated with the newest WCTP implementations, are expected to make use of the additional alert evidentiary information in the PCD-06 transaction and so as to offload simple non-MCR message WCTP implementations from having to ignore the extensions, the wctp-MCR element tree has been selected as the extension point for additional XML elements.

<wctp-IHEPCDACM>

5120 <wctp-IHEPCDACMParticipants>

<wctp-IHEPCDACMParticipant
participantID="participantID"
name="participantName"
classification="participantClassification" />

5125 </wctp-IHEPCDACMParticipants>

<wctp-IHEPCDACMLocations>

5130 <wctp-IHEPCDACMLocation
identifier="identifier"
description="description"
type="type"
physicalType="physicalType" />

</wctp-IHEPCDACMLocations>

<wctp-IHEPCDACMResponder

responderID="responderID" />

5135 <wctp-IHEPCDACMObservation

alertTimestamp="alertTimestamp"
fillerOrderNumber="fillerOrderNumber"
parentFillerOrderNumber="parentFillerOrderNumber"
value="value"

5140 units="units"

referenceRange="referenceRange"
abnormalityType="abnormalityType"
eventIdentification="eventIdentification"
sourceIdentification="sourceIdentification"

5145 eventPhase="eventPhase"
 alertState="alertState"
 inactivationState="inactivationState"
 alarmPriority="alarmPriority"
 alertType="alertType" />
 5150 </wctp-IHEPCDACM>

This extension is optional. If it is present, then the ACM AC can use these values to present additional information to users or categorize PCD-06 messages more effectively.

5155 All of the elements and attributes within this extension are optional. However, the ACM AC can require elements and attributes in this extension if they are necessary to ensure complete functionality. If these elements and attributes are not present, then the message will not be queued.

These values are not required to be pulled directly from a PCD-04 message and can instead be used by an Alert Manager to send additional information to an Alert Communicator.

5160 If there is patient information sent in the PCD-06 message, Alert Managers and Alert Communicators should take care to secure their communications using existing WCTP methodologies.

If the ACM AC does not respond to the wctp-VersionQuery with the supportive DTD response indicating value then the AM shall not send these extensions to the AC.

K.8.19 IHE PCD specific WCTP extensions to PCD-07 transactions for alerts

5165 The following ACM Profile proprietary extensions to wctp-StatusInfo and wctp-MessageReply are used to convey alert information from the ACM AC to the ACM AM.

5170 The WCTP 1.3r1 interface specification that is the basis for ACM AM – AC communication does not support the ability to pass alert information in association with a status info response or message reply. For this reason, the ACM Profile is required to extend the WCTP 1.3r1 interface specification in a backward transparent manner in order to convey alert information from the ACM AC to the ACM AM.

5175 In order for the WCTP server (the ACM AC) to signal its willingness to send and potentially support IHE ACM Profile evidentiary data extensions to WCTP 1.3r1, per the extensions mechanism defined in Section 3.6 Protocol Version of the WCTP 1.3r1 interface specification, the DTD response value shall be “wctp-dtd-ihepcd-pcd06-v1r2” to indicate support for sending the alert information. This version shall presume at a minimum WCTP version 1.3r1 capabilities.

The wctp-StatusInfo and wctp-MessageReply element trees have been selected as the extension point for additional XML elements.

5180 <wctp-IHEPCDACM>
 <wctp-IHEPCDACMResponder

onBehalfOfResponderID="responderID" />

</wctp-IHEPCDACM>

This extension is optional and can be used to convey additional information from the ACM AC to the ACM AM that is not in present in WCTP version 1.3r1.

5185 All of the elements and attributes within this extension are optional. However, the ACM AM can require elements and attributes in this extension if they are necessary to ensure complete functionality. If these elements and attributes are not present, then the message will not be queued.

5190 These values are not required to be pulled directly from a PCD-06 message and can instead be used by an Alert Communicator to send additional information to an Alert Manager.

If the ACM AC does not respond to the wctp-VersionQuery with the supportive DTD response indicating value then the AC shall not send these extensions to the AM.

K.8.20 IHE PCD-06 wctp-IHEPCDSubmitRequestUpdate

5195 The following ACM Profile proprietary message type, wctp-IHEPCDSubmitRequestUpdate, is used by the ACM AM to update prior PCD-06 wctp-SubmitRequest messages on the ACM AC.

The WCTP 1.3r1 interface specification that is the basis for ACM AM – AC communication does not support the ability for an AM to send the AC updates to previous wctp-SubmitRequest messages. For this reason, the ACM Profile is required to extend the WCTP 1.3r1 interface specification in a backward transparent manner in order for the AM to send updates to the AC.

5200 In order for the WCTP server (the ACM AC) to signal its willingness to receive and potentially support IHE ACM Profile evidentiary data extensions to WCTP 1.3r1, per the extensions mechanism defined in Section 3.6 Protocol Version of the WCTP 1.3r1 interface specification, the DTD response value shall be "wctp-dtd-ihepcd-pcd06-v1r2" to indicate support for receiving updates to previous wctp-SubmitRequest messages. This version shall presume at a minimum WCTP version 1.3r1 capabilities.

5205 This update functionality will be encapsulated in a new element under wctp-Operation.

<?xml version="1.0"?>

<!DOCTYPE wctp-Operation SYSTEM "WCTP DTD">

<wctp-Operation wctpVersion="WCTP version">

5210 <wctp-IHEPCDSubmitRequestUpdate>

<wctp-SubmitHeader submitTimestamp="timestamp">

<wctp-Originator

senderID="sender ID"

securityCode="security code"/>

5215 <wctp-MessageControl

```

                    messageID="message ID"
                    transactionID="transaction ID"
                    allowResponse="true"
                    deliveryPriority="priority"
5220    notifyWhenDelivered="false"
                    preformatted="true"
                    notifyWhenRead="false"/>
                <wctp-Recipient recipientID="recipient PIN"/>
</wctp-SubmitHeader>
5225 <wctp-Payload>
        <wctp-IHEPCDUpdate>
            <wctp-IHEPCDMessageToUpdate
                messageToUpdate="message ID"/>
                <wctp-IHEPCDUpdateAction
5230                    action="update action"/>
                <wctp-IHEPCDACMResponder
                    responderID="responderID"/>
            </wctp-IHEPCDUpdate>
        </wctp-Payload>
5235    </wctp-IHEPCDSubmitRequestUpdate>
        </wctp-Operation>

```

This extension is optional and can be used by the AM to send updates about prior PCD-06 SubmitRequest messages to the AC. The elements wctp-IHEPCDMessageToUpdate and wctp-IHEPCDUpdateAction are required if this message type is used.

- 5240 Each wctp-IHEPCDSubmitRequestUpdate message contains a unique message ID that is different from the ID of the message that it intends to update. The previous wctp-SubmitRequest message is identified by its message ID, located in the wctp-IHEPCDMessageToUpdate element. Each wctp-IHEPCDSubmitRequestUpdate message updates one previous wctp-SubmitRequest message.
- 5245 The kind of action that must be done by the ACM AC is specified by the value in the wctp-IHEPCDUpdateAction element. It is up to the AC to determine what this action means in the context of their system.

5250 In response to this message, the ACM AC is expected to send a synchronous PCD-07 response to convey success or failure of message queueing as described in Section K.8.8. No asynchronous responses will be sent because of this message.

If the ACM AC does not respond to the wctp-VersionQuery with the supportive DTD response indicating value then the AM shall not send this message type to the AC.

Glossary

5255 The Glossary can be found as an appendix to the [IHE Technical Frameworks General Introduction](#).